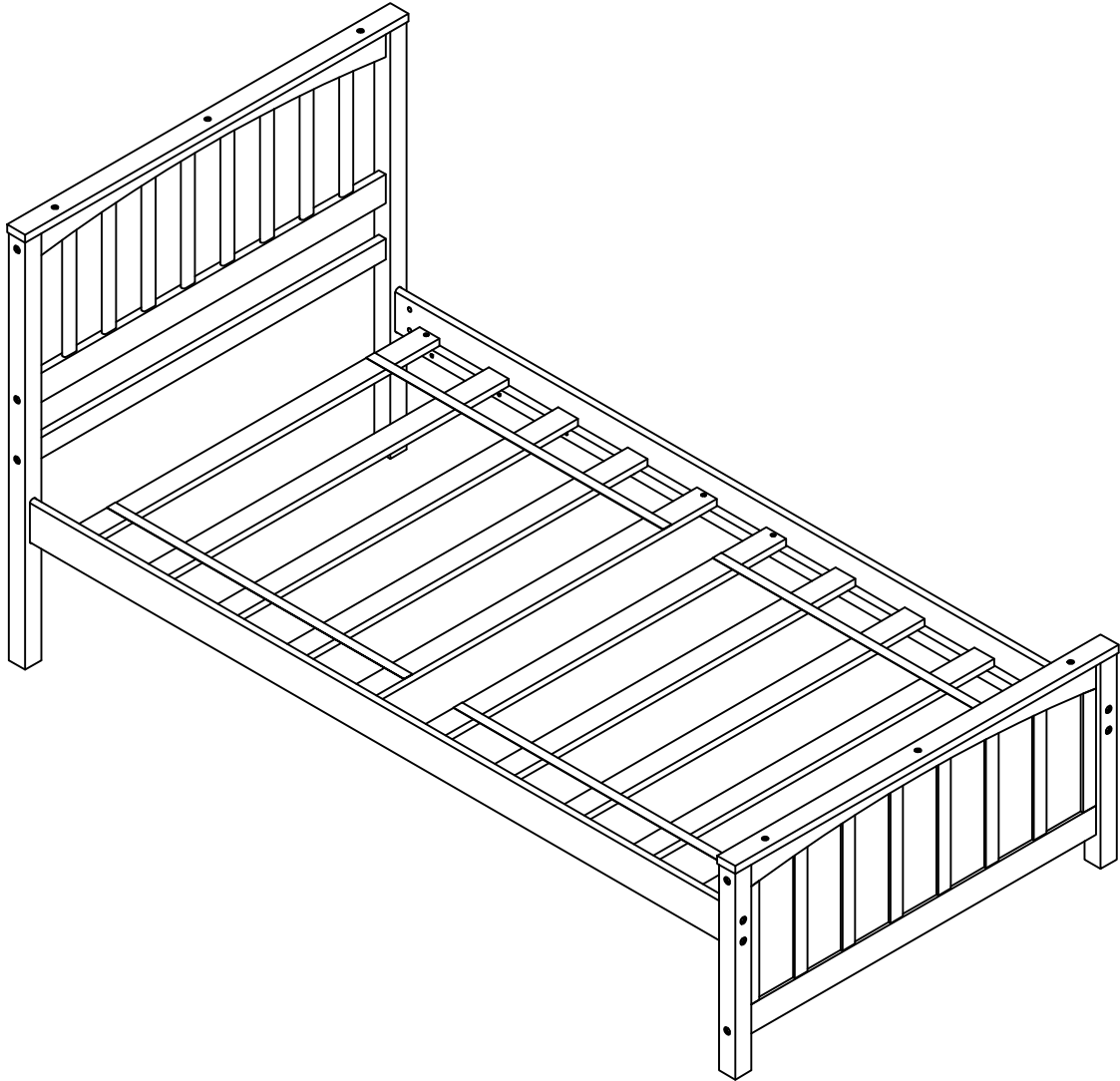


ASSEMBLY INSTRUCTIONS

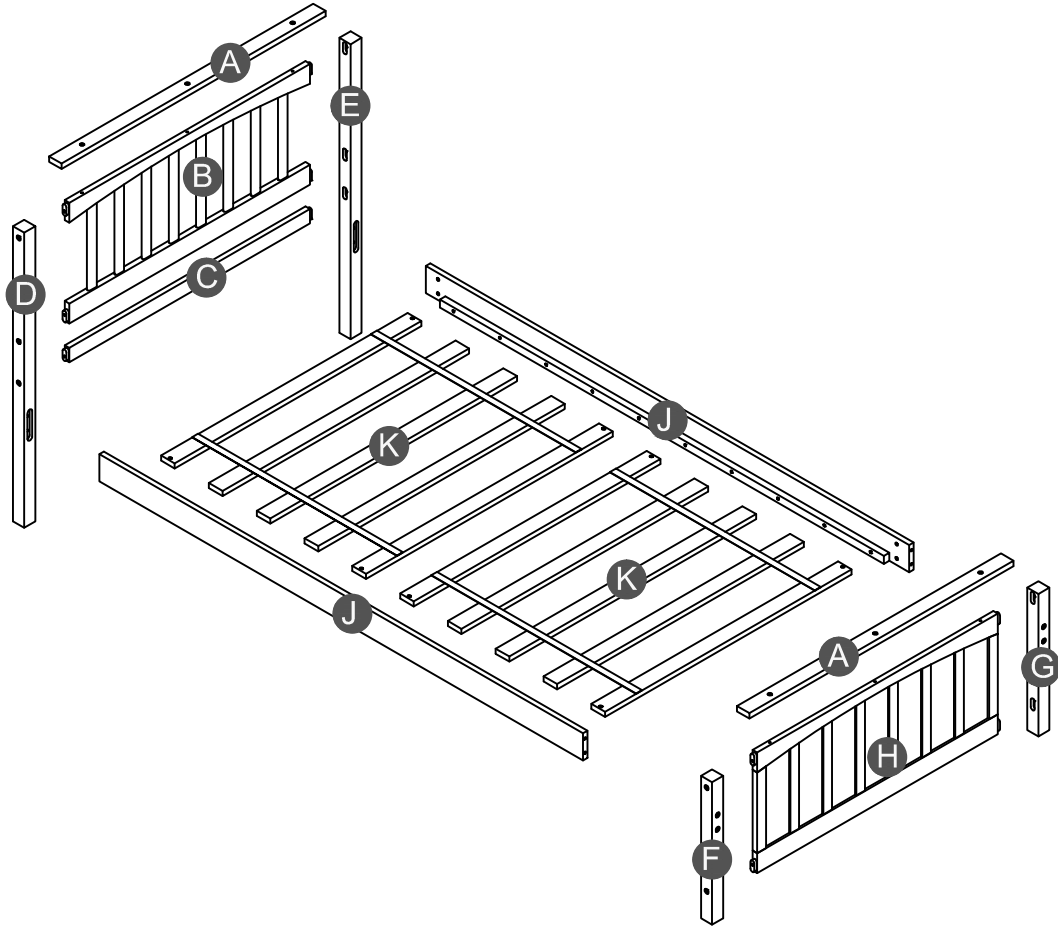
BED



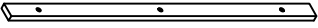
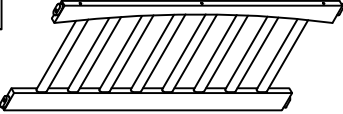
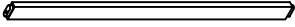
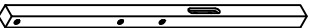
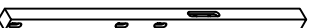
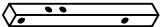
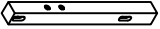
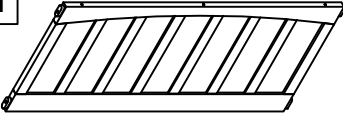

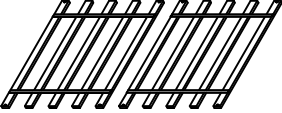
If you have any questions, please feel free to contact us.
Email: lowes.team@qualfurn.net

WF195377

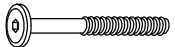
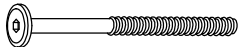




Detail View



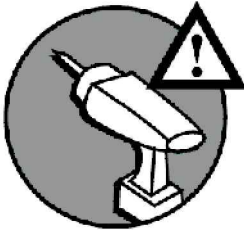
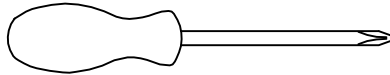
Part List

A  Cap for HB & FB - 2pcs	B  HB Frame - 1pc	C  HB horizontal bar - 1pc
D  Leg headboard(Left) - 1pc	E  Leg headboard(Right) - 1pc	F  Leg footboard(Right) - 1pc
G  Leg footboard(Left) - 1pc	H  FB Frame - 1pc	J  Side rail - 2pcs
K  Slat - (10pcs)		

Hardware List

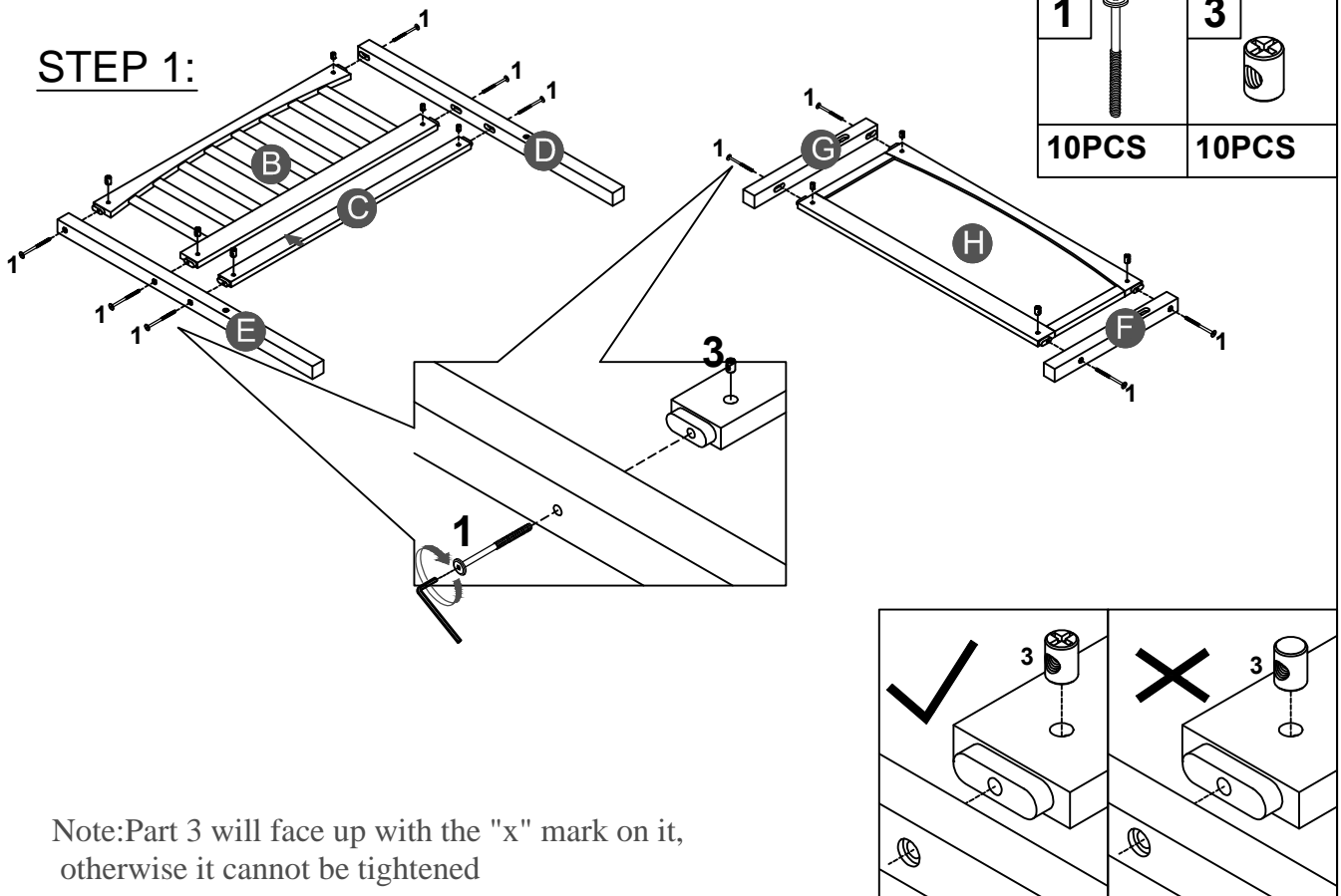
1  (Ø15)1/4"*80mm Hex-Head bolts (10pcs)	2  (Ø15)1/4"*100mm Hex-Head bolts (8pcs)	3  1/4"*15 (9.5mm) Horizontal-Hole bolts(18pcs)
4  (Ø12)1/4"*40mm Hex-Head bolts (6pcs)	5  Ø4*30mm Wood screws (8pcs)	6  (1/4")4.5*58mm Allen key (1pc)

ASSEMBLY TOOLS REQUIRED (NOT INCLUDED)

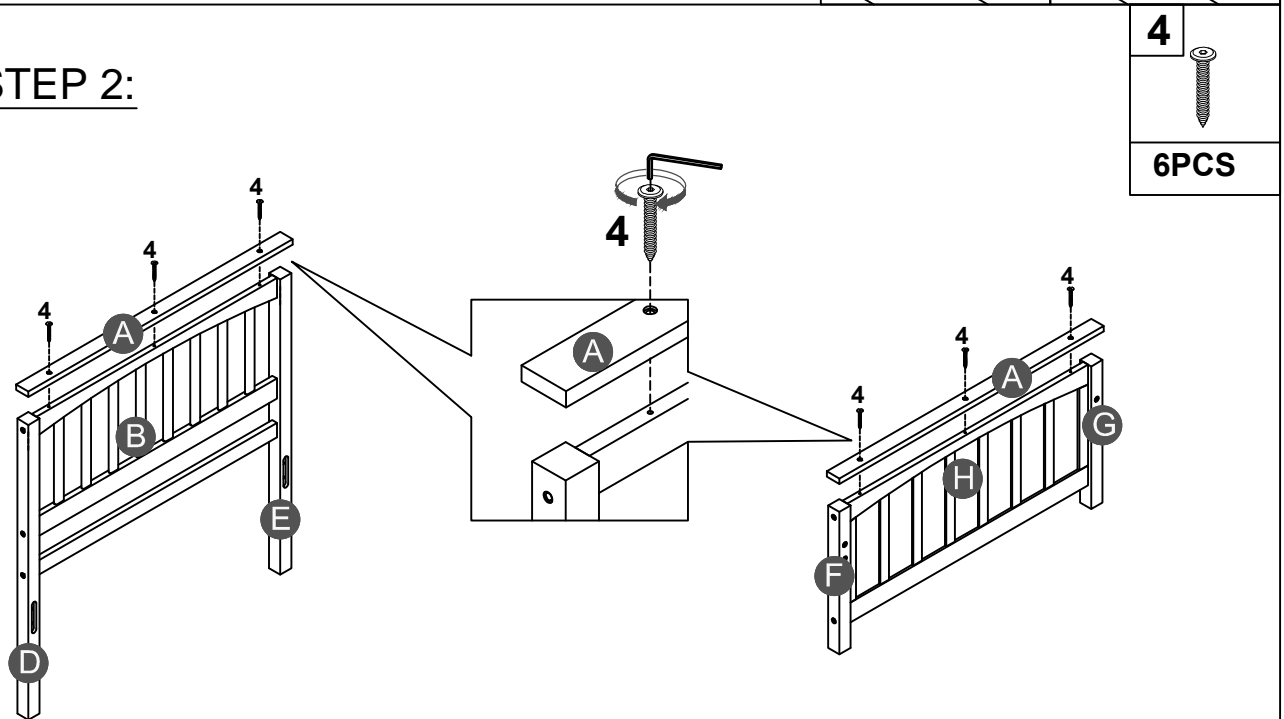


PLEASE BE CAREFUL DO NOT DAMAGE THE HOLE POSITION WHEN YOU USE POWER TOOLS !



STEP 1:

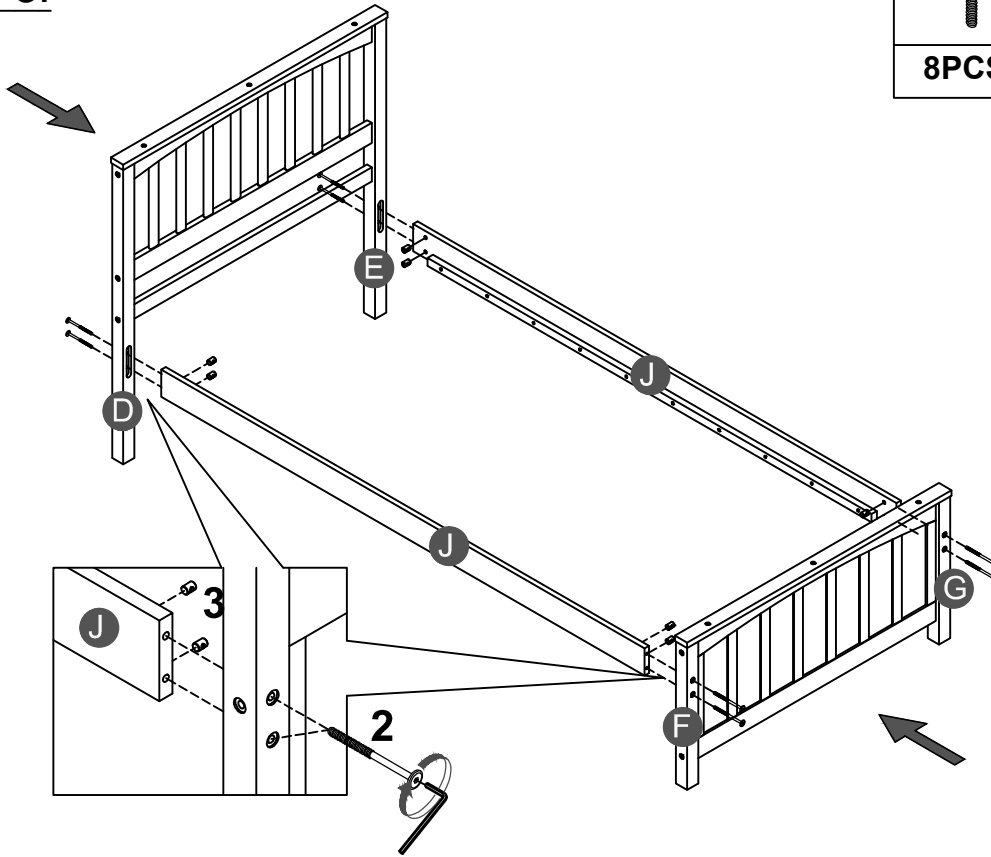


STEP 2:




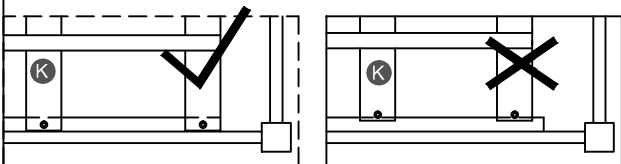
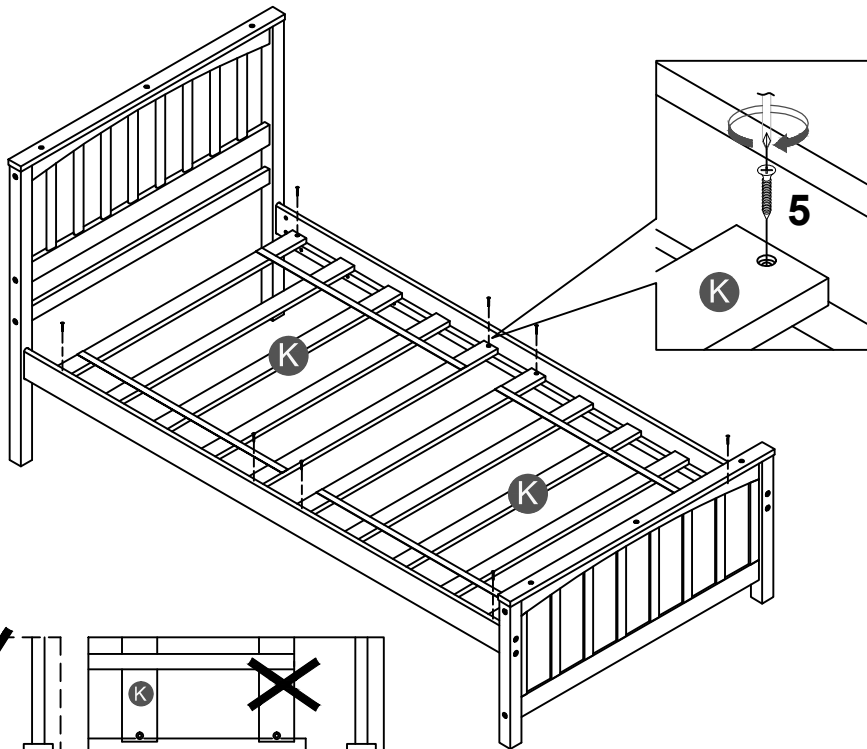
STEP 3:

2		3	
8PCS		8PCS	



STEP 4:

5	
8PCS	



Note: Do not lock the screws of the bed slats to the outermost edge of the bed slats, you need to leave a certain space at the edges, otherwise it will cause the board to break