



ITEM #0805599

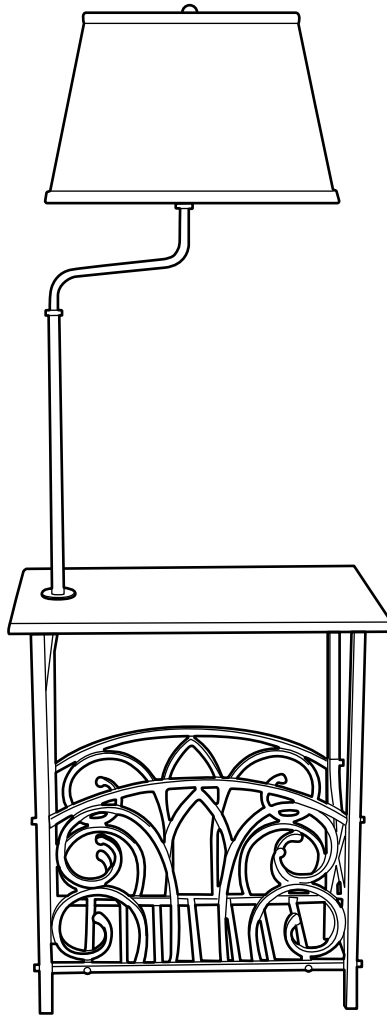
MAGAZINE RACK LAMP

PORTFOLIO® and PORTFOLIO & Design™ are trademarks or registered trademarks of LF, LLC. All rights reserved.

MODEL #TLC05BZ

Français p. 9

Español p. 17



ATTACH YOUR RECEIPT HERE

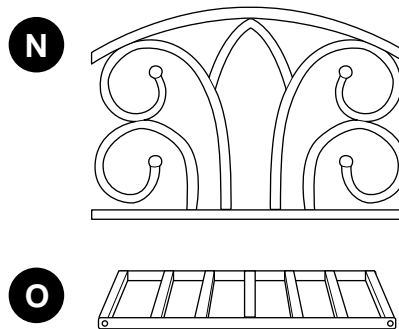
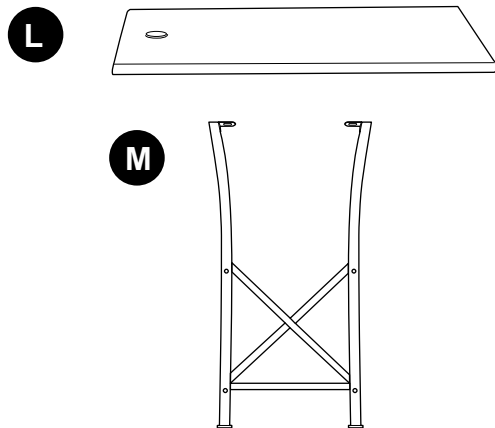
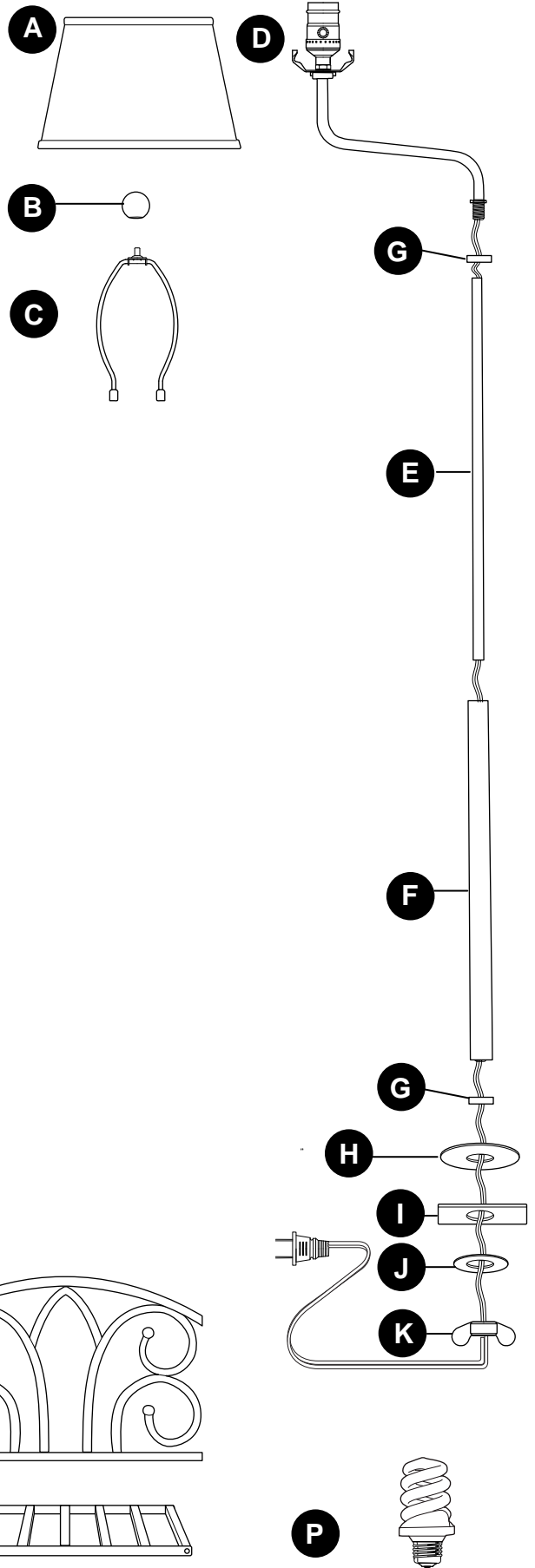
Purchase Date _____



Questions, problems, missing parts? Before returning to your retailer, call our customer service department at **1-800-643-0067**, 8 a.m. - 6 p.m., EST, Monday - Thursday, 8 a.m. - 5 p.m., EST, Friday.

PACKAGE CONTENTS

PART	DESCRIPTION	QUANTITY
A	Shade	1
B	Finial (preassembled)	1
C	Harp	1
D	Socket Assembly	1
E	Tube (preassembled)	1
F	Decorative Cover (preassembled)	1
G	Cap (preassembled)	2
H	Large Washer (preassembled)	1
I	Plate (preassembled)	1
J	Small Washer (preassembled)	1
K	Wing Nut (preassembled)	1
L	Top	1
M	Leg	2
N	Side Rack	2
O	Bottom Rack	1
P	Bulb	1



HARDWARE CONTENTS (shown actual size)

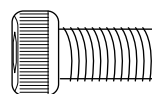
AA



Allen Wrench

Qty. 1

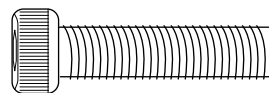
BB



Small
Screw

Qty. 4

CC



Large
Screw



Qty. 12

SAFETY INFORMATION

READ AND SAVE THESE INSTRUCTIONS.

WARNING

- This portable lamp has a polarized plug (one blade is wider than the other) as a safety feature to reduce the risk of electric shock. The plug will fit in a polarized outlet only one way. If it does not fit fully in the outlet, reverse the plug. If it still does not fit, contact a qualified electrician. NEVER use with an extension cord unless the plug can be fully inserted. DO NOT alter the plug.
- To reduce the risk of electric shock, DO NOT use the product if power cord is frayed or broken.
- DO NOT use bulbs having a wattage greater than the maximum value stated on the fixture. The use of bulbs with higher wattage than specified will increase temperatures and risk of fire.

 LAMP CONTAINS MERCURY 
Manage in accordance with Spills, Disposal and Site Cleanup Requirements. In case of breakage, follow clean-up procedures provided by contacts below.
www.epa.gov/cfclanup 1-866-284-4010

PREPARATION

Before beginning installation of product, make sure all parts are present. Compare parts with package contents list and hardware contents list. If any part is missing or damaged, do not attempt to install, operate or assemble the product.

Estimated Assembly Time: 30 minutes

No Tools Required for Assembly

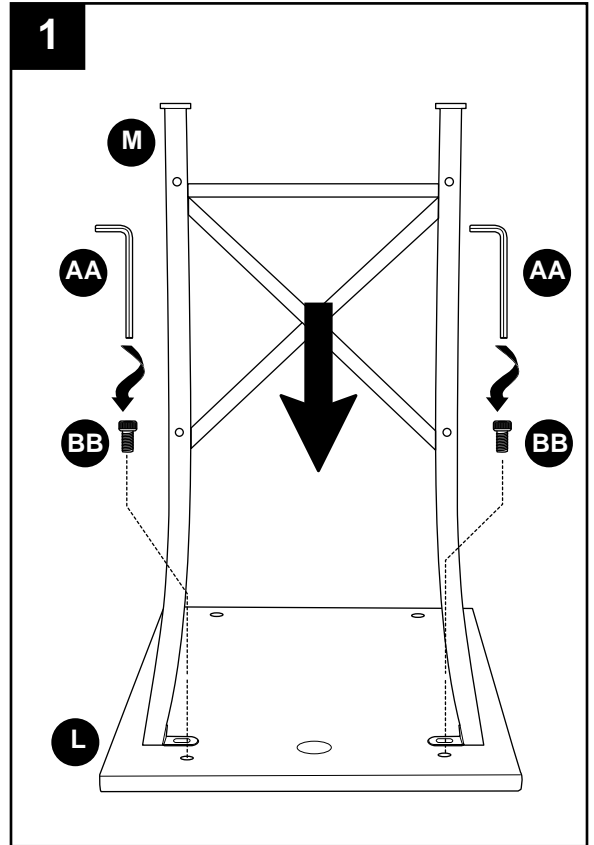
ASSEMBLY INSTRUCTIONS

TABLE AND MAGAZINE RACK ASSEMBLY:

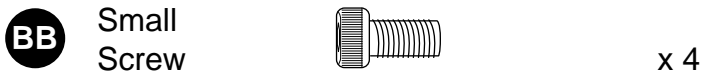
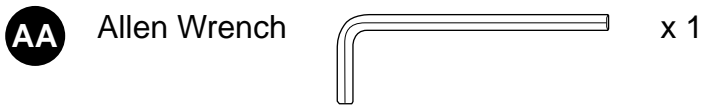
1. Place top (L), with smooth side down on carpet or on foam to avoid damage to finish.

Align holes at top of leg (M) with two of the holes on underside of top (L).

Insert two small screws (BB) with fingers first and then tighten screws securely with the Allen wrench (AA). Repeat procedure for other leg (M).

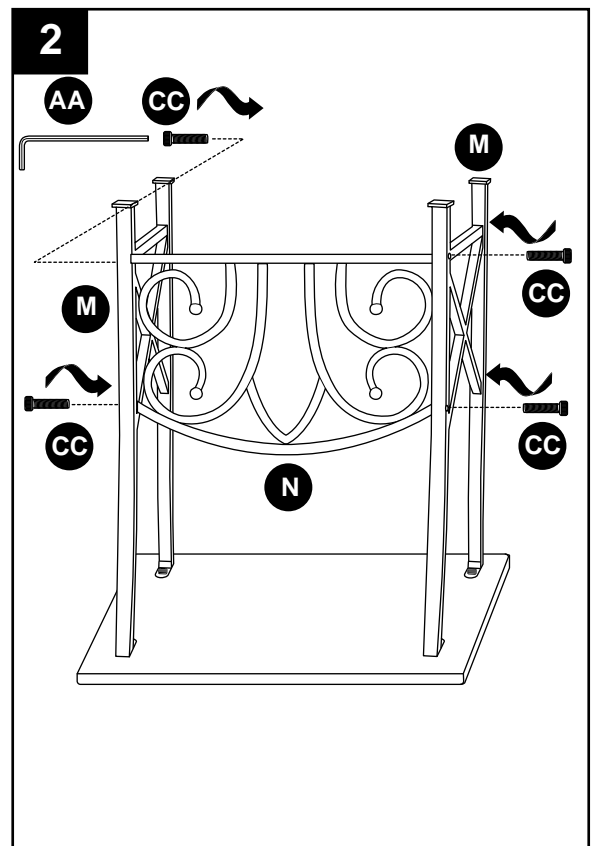


Hardware Used

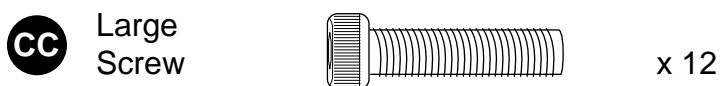
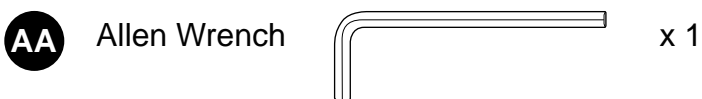


2. Align holes at end of side rack (N) with holes on legs (M). Attach side rack (N) to leg (M) with large screw (CC). Insert large screw (CC) with fingers first and then tighten screw with 3 in. Allen wrench (AA). Before securing large screws (CC) permanently, repeat procedure for remaining end of side rack (N). Secure all large screws (CC).

Repeat procedure for other side rack (N).



Hardware Used



ASSEMBLY INSTRUCTIONS

- Align the two holes at bottom of both side racks (N) with large holes on each end of bottom rack (O). Hold bottom rack (O) in place.

Insert large screw (CC) with fingers first and then tighten screw with Allen wrench (AA). Before securing screws (CC) permanently, repeat procedure for other side of bottom rack (O). Secure all large screws (CC).

Hardware Used

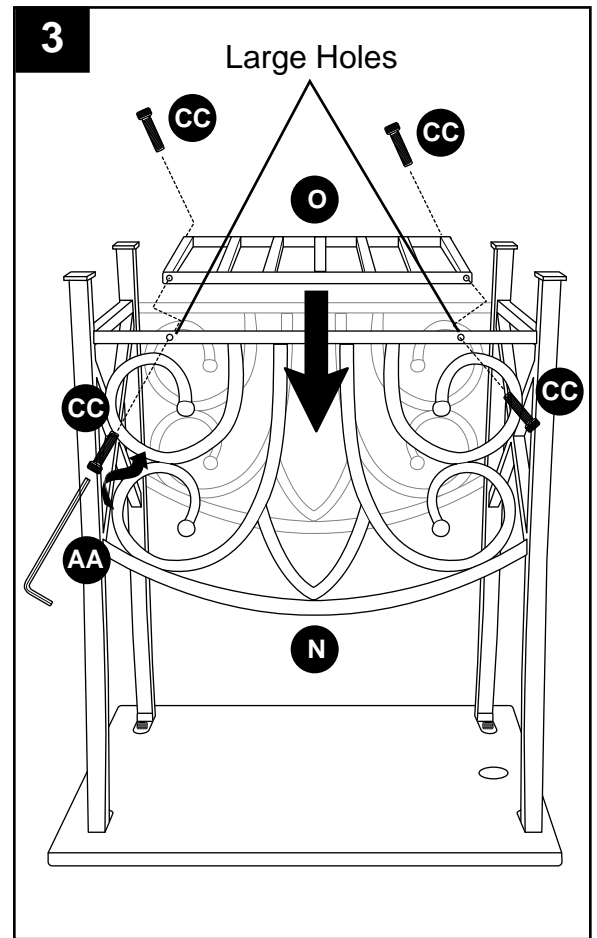
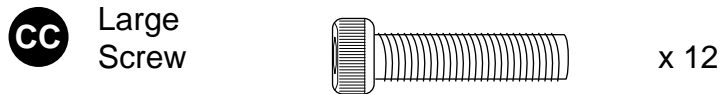
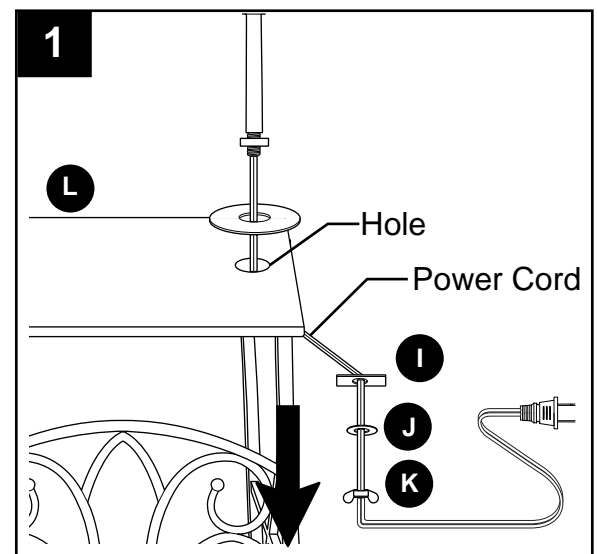


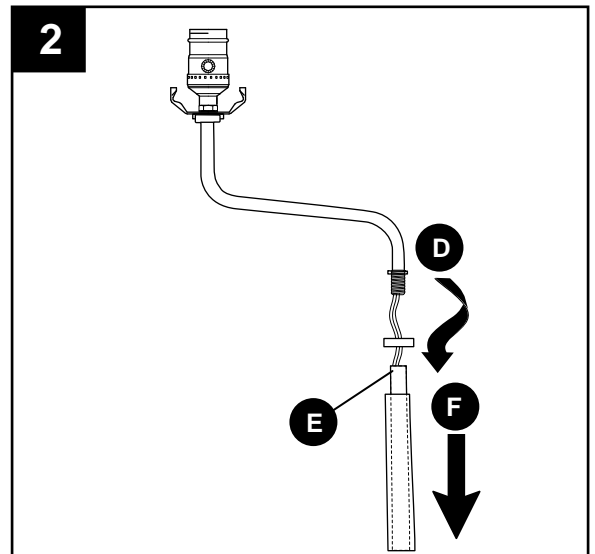
TABLE LAMP ASSEMBLY:

- Push power cord, wing nut (K), small washer (J) and plate (I) down through hole in the top (L). Adjust power cord length by pulling power cord from bottom of table until taut.

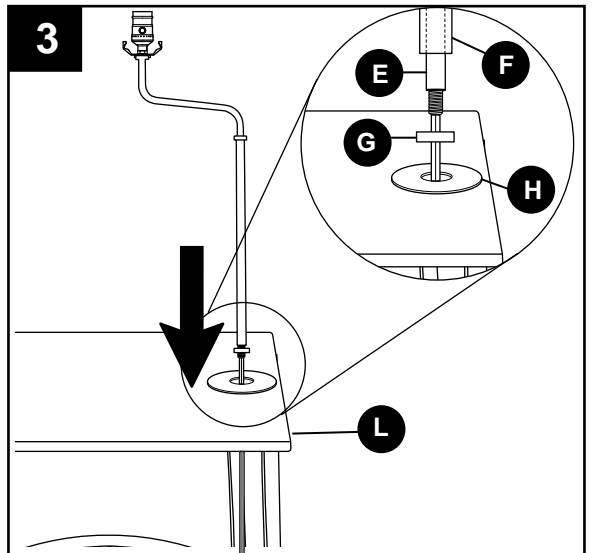


ASSEMBLY INSTRUCTIONS

2. Attach socket assembly (D) to the tube (E). Slide tube (E) through decorative cover (F).

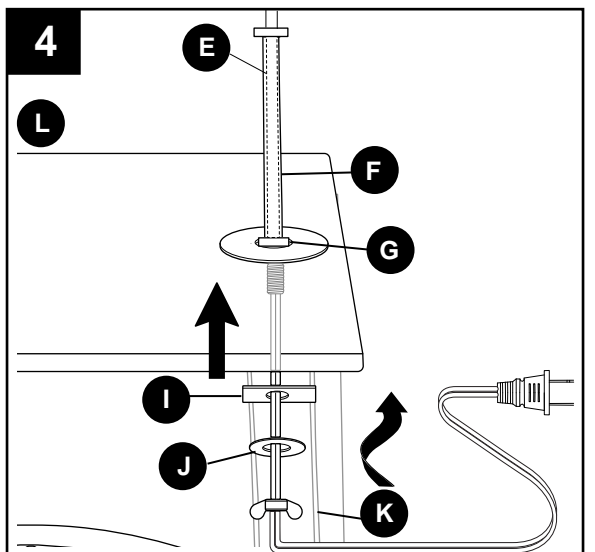


3. Place the threaded portion of the tube (E) through the hole in the top (L) until large washer (H), bottom cap (G), decorative cover (F) and tube (E) are flush against the top (L).



4. Screw wing nut (K) completely onto threaded portion of tube (E) until plate (I) and small washer (J) are flush against the underside of the top (L).

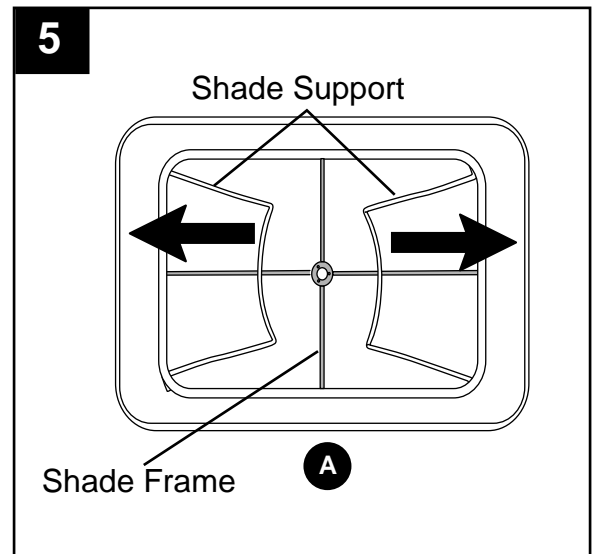
NOTE: Continue to hold the tube (E) with the decorative cover (F) upright on top of cap (G) until wing nut (K) is completely tightened.



ASSEMBLY INSTRUCTIONS

- Lift one side of shade (A). Slide shade support away from the center while supporting shade (A) from the opposite side.

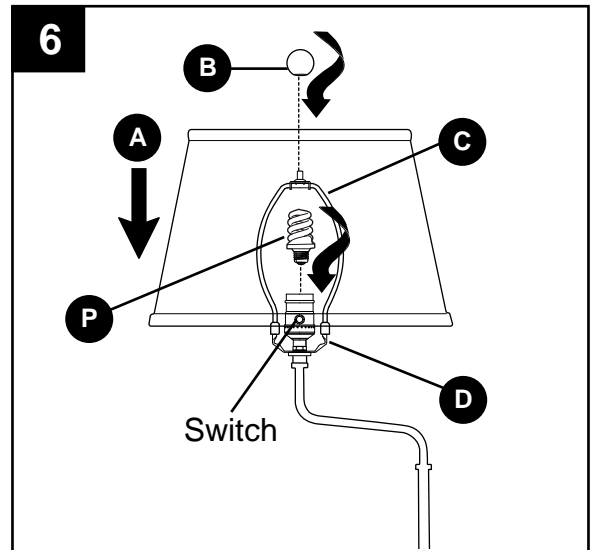
Repeat for other shade support.



- Remove preassembled finial (B) from harp (C). Place harp (C) into saddle preassembled on socket assembly (D). Attach shade (A) and secure with finial (B).

Install bulb (P).

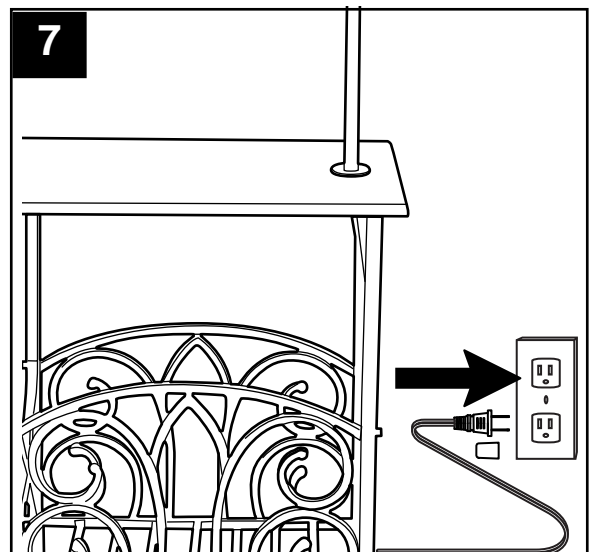
⚠ CAUTION: When replacing bulb, please allow bulb to cool down before touching.



- Remove preassembled cap from end of power cord and plug power cord into wall outlet.

NOTE: Use preassembled switch on socket assembly (D) to turn lamp ON/OFF.

If light does not function, please refer to TROUBLESHOOTING on next page.



CARE AND MAINTENANCE

- Clean only with soft, damp cloth. Do not use an abrasive cleaner on table.
- Bulb Replacement: Use one 23-watt max. standard-base CFL or halogen/LED equivalent.

TROUBLESHOOTING

⚠ WARNING: Before beginning work, shut off the power supply to avoid electrical shock.

PROBLEM	POSSIBLE CAUSE	CORRECTIVE ACTION
Light does not come on initially or no longer comes on.	<ol style="list-style-type: none">1. Bulb is burned out.2. Power is OFF.3. Lamp is not plugged in.	<ol style="list-style-type: none">1. Replace light bulb.2. Make sure power supply is ON.3. Plug lamp into outlet.

WARRANTY

The distributor warrants all of its lighting fixtures against defects in materials and workmanship for one (1) year from the date of purchase. If within this period the product is found to be defective, take a copy of the bill of sale as a proof of purchase and the product in its original carton to the place of purchase. The distributor will, at its option, repair, replace or refund the purchase price to the consumer. All costs of installation and removal of the fixture is the responsibility of the consumer. This warranty does not cover fixtures becoming defective due to misuse, accidental damage or improper handling and/or installation and specifically excludes liability for direct, incidental or consequential damages. As some states do not allow exclusions of limitations on an implied warranty, the above exclusion and limitation may not apply. This warranty gives you specific rights and you may also have other rights which may vary from state to state.