

ASSEMBLY AND INSTALLATION INSTRUCTIONS

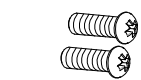
W0237 / W0238

WARNING: TO AVOID RISK OF ELECTRICAL SHOCK, BE SURE TO SHUT OFF POWER BEFORE INSTALLING OR SERVICING THIS FIXTURE.

NOTES: 1. Before installing, consult local electrical codes for wiring and grounding requirements.
2. READ AND SAVE THESE INSTRUCTIONS.

Warning: LED electronics can be damaged by electro static discharge (ESD) shock. Before installation, discharge yourself by touching a grounded bare metal surface to remove this hazard. To avoid damage, do not touch the LED module.

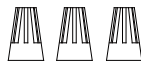
Hardware Package (included):



Mounting Screw (A)



Green Grounding Screw (B)



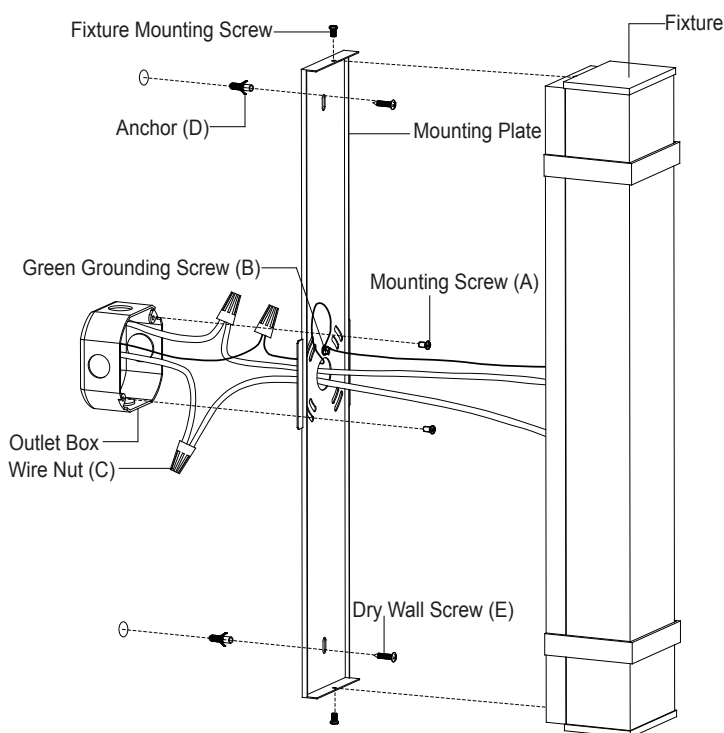
Wire Nut (C)



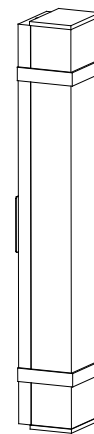
Anchor (D)



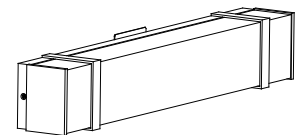
Dry Wall Screw (E)



Two methods of installation:



Vertical Installation



Horizontal Installation

Installation Steps

Turn off the power at fuse or circuit box.

1. Remove two fixture mounting screws to separate the mounting plate from fixture.
2. Fix the mounting plate to the wall.
 - a) For wooden material:
Attach the mounting plate to the outlet box by using two mounting screws, and then secure the dry wall screws through the set holes to the wall.
 - b) For cement and drywall materials :
Hold the mounting plate to the outlet box and mark the outermost set holes on the wall surface for drilling. Remove the mounting plate from the outlet box. Drill both set holes. Thread the anchors into the holes, then attach the mounting plate to the outlet box by using two mounting screws. Secure the dry wall screws through the set holes into the anchors.

3. Attach mounting plate to the outlet box using two mounting screws.
4. Pull out the source wires from the outlet box. Make wire connections using wire nuts as follows:
 - Connect the hot wire (usually black insulation) from the power source to the black wire from the fixture.
 - Connect the neutral wire (usually white insulation) from the power source to the white wire from the fixture.
 - Attach the fixture grounding wire (usually green insulation or bare wire) to the mounting plate with the green grounding screw, or connect to the source grounding wire if available.
 Carefully put the wires back into the outlet box.
5. Attach the fixture to the mounting plate, and then secure it with two fixture mounting screws.

Turn on the power at fuse or circuit box.

This fixture is dimmable with a forward phase electronic dimmer. Dimmers tested to be compatible with this fixture are the Lutron: DVCL-253P, DVCL-153P, CTCL-153P, SCL-153P, DVLV-603P, DVSCLL-253P.

If you are unfamiliar with electrical installation, it is recommended to use a qualified electrician for your installation(s).

The following parts are available for re-order if damaged or missing.

Spare Parts List:

Diagram illustrating the spare parts list:

- Mounting Screw (A)
- Green Grounding Screw (B)
- Wire Nut (C)
- Anchor (D)
- Dry Wall Screw (E)

Assembly Kit 5532MM (1 SET)

5-YEAR LIMITED WARRANTY:

All products are warranted to be free of defects in material and workmanship for five (5) years from date of purchase. This warranty is limited to the correction of any such defect, or the replacement of any such defective item(s), provided that: (a) we are properly notified and consent to return of the item(s) in question:(b) the item(s) is / are returned with proof of purchase date; and (c) it is found upon inspection by us that the item(s) is / are defective as noted above. This warranty does not cover labor costs, consequential damages, nor does it apply to any item(s) that have been improperly installed, overloaded, altered, or otherwise abused by the customer, its agent(s) or employee(s). Finishes are specially excluded from the terms of this warranty since they are subject to environmental maintenance deemed beyond our control. Other than the described obligation, we assume no further liability with respect to the sale or use of our products. We make no warranty, express or implied, and disclaim any warranty of merchantability or fitness for a particular purpose.

