

Have product questions or need technical support?

Contact Us:



Website: www.poulanpro.com



Toll free: 1-888-676-7909 Mon-Fri 8-4 CST



Email: support@poulanpro-power.us

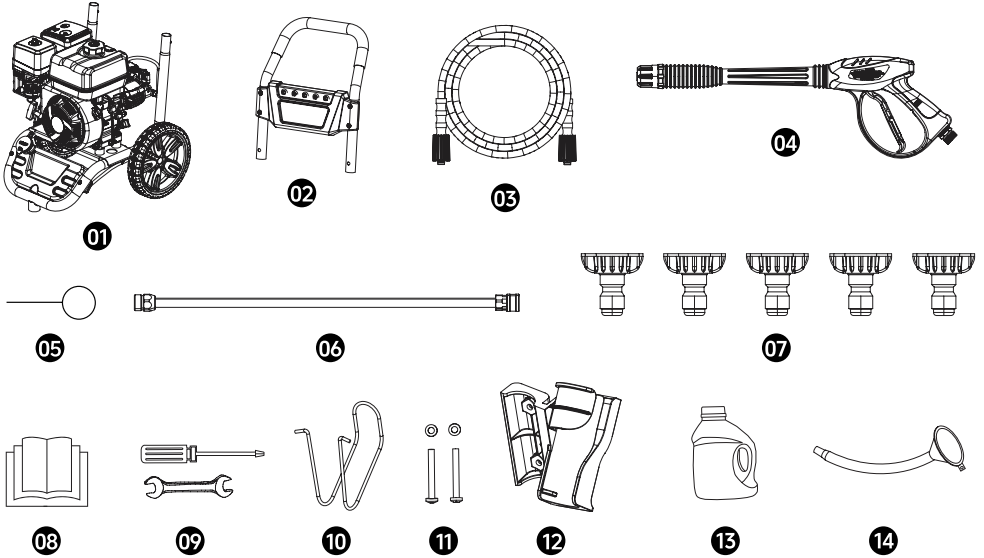


READ AND UNDERSTAND THE OPERATOR'S MANUAL AND ALL SAFETY WARNINGS BEFORE USE

Failure to operate the product correctly can result in damage to the product, personal property and cause serious injury or death.

UNPACKING

Carefully remove the Pressure Washer out from the carton/box and place the unit on the ground or other solid surface. Do not discard the packaging until you have confirmed the following items are present.



1	Main Unit
2	Upper Handle
3	High Pressure Hose
4	Sray Gun
5	Nozzle Cleaning Tool
6	Spray Wand
7	Spray Nozzles (5 pcs) 0°, 15°, 25°, 40°, Soap

8	Operators Manual & Quick Start Guide
9	Tools - Wrench 10/8mm, Screwdriver
10	Wire Hanger - High Pressure Hose
11	2 x M6 Bolts, Washers
12	Holder - Spray Gun
13	Oil Bottle 20 fl oz (0.6L)
14	Oil Funnel with tube

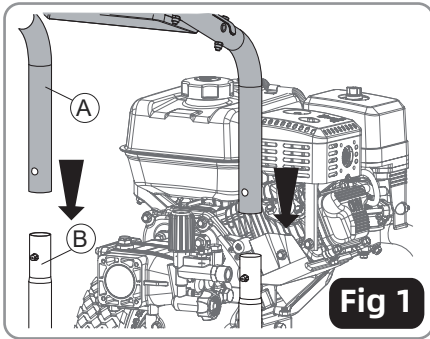
Please contact our customer support team at 1-888-676-7909 if any of the above loose parts are missing from the carton.

ASSEMBLY

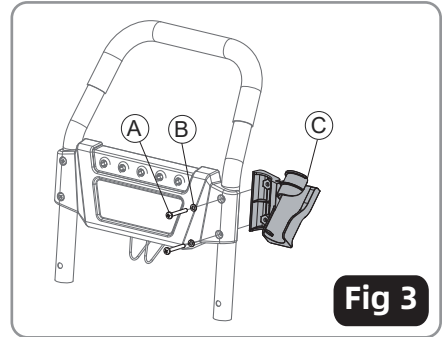
Your Pressure Washer requires limited assembly prior to use. If you have any questions regarding the assembly of this product, call our Technical Support Team at 1-888-676-7909 Mon-Fri 8-4 CST or by email at support@poulanpro-power.us. Please have your model and serial number available at the time of the call.

1. Install the Upper Handle

Align the two ends of the upper handle (A) with the two upright tubes of the engine base (B), and then press down firmly until positioning pins pop into place on both sides. Fig 1.

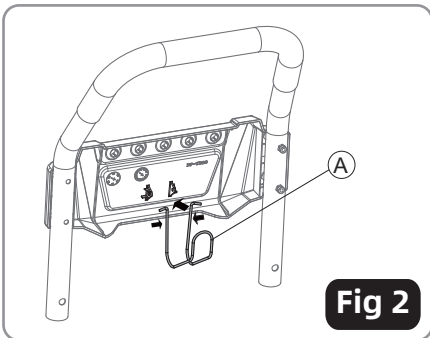


- b. As shown in Figure 3, install the spray gun holder (C) on the right side of the upper handle frame with 2 M6x50 bolts (A) 2 washers (B).



2. Install the high-pressure hose hook and spray gun hook

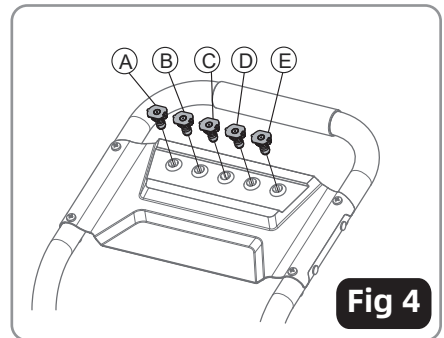
- a. As shown in Figure 2, squeeze the high-pressure pipe hook (A) in the middle and hang it in the hole of the panel.



3. Spray Nozzles

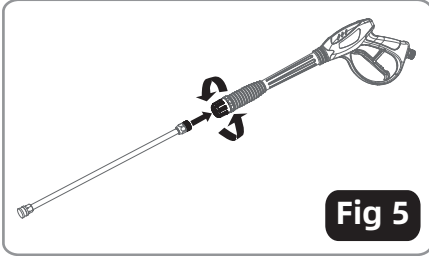
Press the nozzles into their corresponding color matched openings on the pressure washer's top panel. See fig 4.

- A) Red = 0°, (B) Orange = 15°, (C) Green = 25°, (D) White = 40°, (E) Black = Soap.

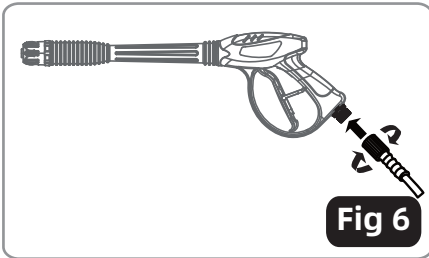


4. Assemble spray gun and high-pressure hose

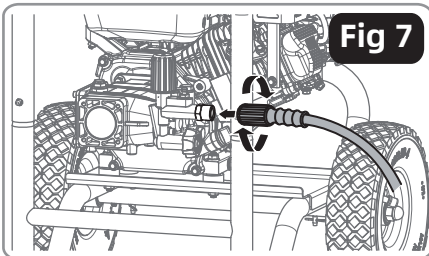
- a. Attach the spray wand onto the gun by rotating the coupler nut clockwise until hand tight. Do not overtighten. Fig 5.



- b. Connect one end of the high-pressure hose to the threaded joint of the spray gun by Rotating the collar nut of the high-pressure hose clockwise until it is hand tight. Fig 6.

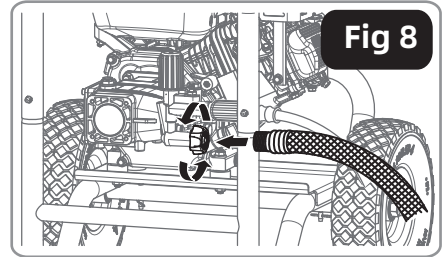


- c. Uncoil and straighten the high-pressure hose to prevent kinks.
- d. Connect the open end of the high-pressure hose to the outlet of the pump by rotating the collar nut clockwise until it is hand tight. Fig 7.



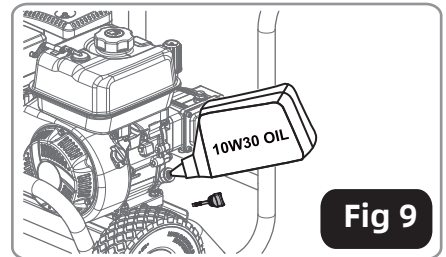
5. Connect the Garden Hose

With the water turned off, connect the garden hose to the water inlet by turning the coupler counterclockwise and tighten by hand. Fig 8.



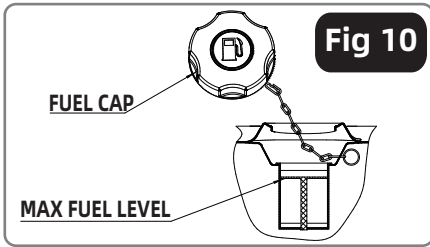
6. Add Engine Oil

1. Place the unit on a flat, level surface.
2. Remove the oil dipstick by turning counterclockwise.
3. Using a funnel, add up to 20.3 fl. oz. (0.6 L) of oil to the engine. The oil should be near the top thread of the filler neck. Fig 9.
4. Check the oil level using the dipstick. DO NOT screw in when checking.
5. When finished screw in the dipstick securely.



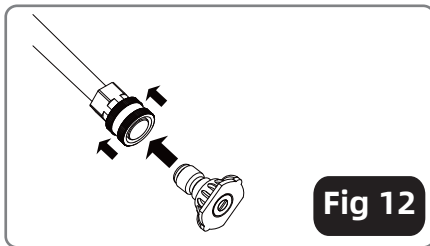
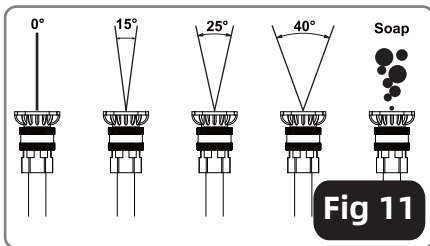
7. Add Fuel

1. Slowly add fresh, regular unleaded gasoline containing 10% or less ethanol to the tank until it reaches the Red fuel level indicator of the fuel screen. DO NOT overfill. A minimum of ¼ in. (6.4 mm) of space left in the tank is required for gasoline expansion. Fig 10.
2. Replace and tighten the fuel tank cap
3. Immediately wipe up any spills



8. Connect Spray Nozzle

1. Engage the trigger safety lock on the spray gun
2. Select a spray nozzle according to your cleaning needs. Fig 11.
3. Pull back on the spray wand quick connect collar and insert the desired spray tip and release the collar. Tug on the spray tip to ensure it is firmly secure. Fig 12.



Congratulations

your machine is now ready to operate. Please read the entire operator's manual for full safety and operations guidelines.

STARTING AND OPERATING PROCEDURES

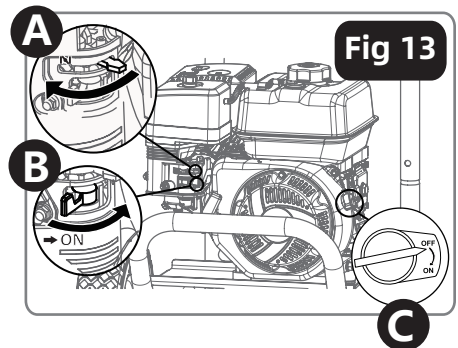
This section of the quick start guide provides the basic instructions on how to start and operate your new water pump. This quick start guide is not a comprehensive guide, we recommend the operator's manual is read and understood before using your new equipment.

IMPORTANT INFORMATION

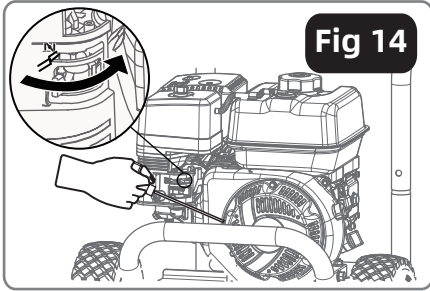
Prior to attempting to start the engine the water supply must be connected to the pump and turned on.

Starting the Engine

1. Check oil level and add oil if necessary.
2. Make certain the unit is on a flat, level surface.
3. Slide the Choke Lever (A) to the full CHOKE position (Fully Left).
4. Move the Fuel Valve lever (B) to the ON position (Fully Right).
5. Turn the Engine ignition switch (C) to the ON position. Fig 13.



6. Pull the starter handle slowly until resistance is felt, then pull rapidly. Note: Return the starter handle slowly back to the engine to prevent damage to the starter.
7. Once the engine starts, slowly slide the CHOKE lever to the OFF position. (Fully Right). Fig 14.



Pressure Washing

Once the engine is running, firmly grasp the spray gun with both hands. Point the spray gun in a safe direction, disengage the spray gun trigger lock by pressing down until it clicks into the back of the trigger.

- a. Depress the spray gun trigger to begin spraying.
- b. Release the trigger to stop spraying.

