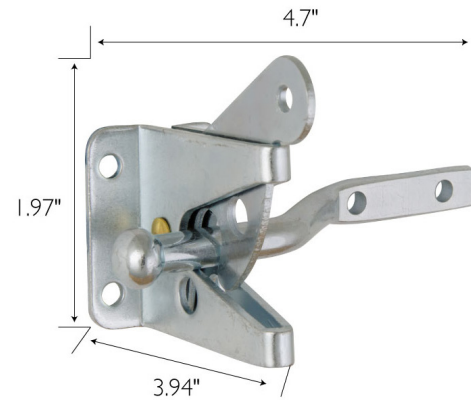


Self-Locking Gate Latch, 2-Pack Galvanized Steel



SPECIFICATIONS

| | |
|--------------------------------|---------------------------|
| MATERIAL CONSTRUCTION: | Steel |
| MOUNTING HARDWARE INCLUDED: | Yes |
| TOOLS NEEDED FOR INSTALLATION: | Screwdriver |
| ASSEMBLED DIMENSIONS: | 1.97" H x 4.72" L 3.94" D |
| ASSEMBLED WEIGHT: | 0.45 lbs. |
| CROSS BORE: | N/A |
| CORNER RADIUS: | N/A |
| PROJECTION: | N/A |
| HINGE TYPE: | N/A |
| NUMBER OF HOOKS: | N/A |

WARRANTY: 1-Year limited warranty

LEGAL FOR SALE IN CALIFORNIA: Yes



TYPE:
JOB:
ORDER CODE:
APPROVALS: