

Features

- Low profile design.
- Compliments the WaterTile product line.
- Can be used with any audio system and also integrated with the DTV+™ Digital Showering System.

Installation

- Mounts within a standard 2x4 wall.
- Mounts to the wall or ceiling.
- Speaker installs after finished wall is complete.

Optional Accessories

K-99696 Amplifier Module

Loose component/s: Female quick disconnect terminals , Speaker mounting screws, and Speaker cover.



Codes/Standards




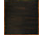



UL 1480

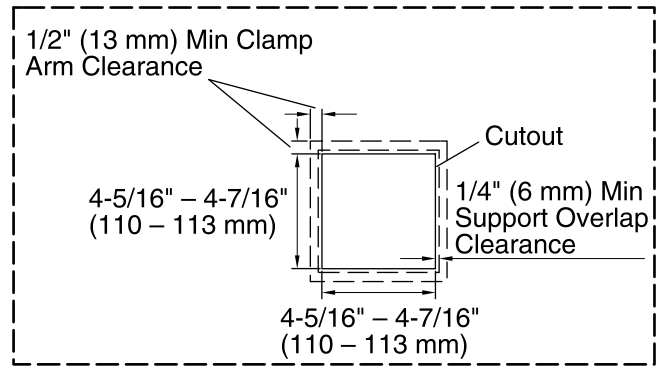
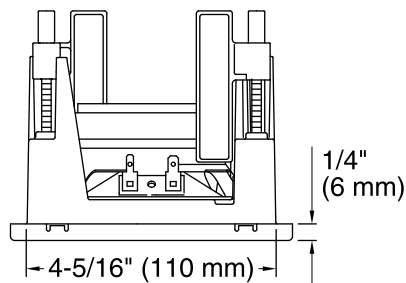
KOHLER® Electronic Faucets, Valves, and Controls - Five-Year Limited Warranty

See website for detailed warranty information.

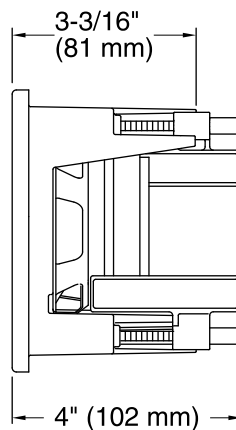
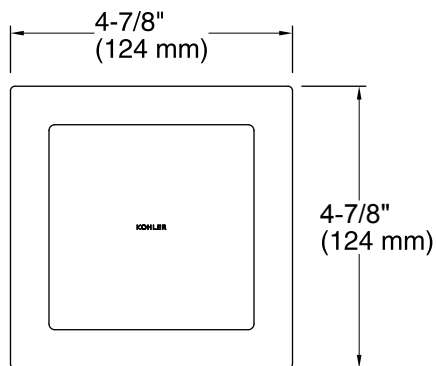
Available Color/Finishes

Color tiles intended for reference only.

Color	Code	Description
	CP	Polished Chrome
	SN	Vibrant® Polished Nickel
	BN	Vibrant® Brushed Nickel
	2BZ	Oil-Rubbed Bronze
	BL	Matte Black
	TT	Titanium
	VNT	Vintage Nickel



Cutout Detail



Technical Information

All product dimensions are nominal.

Electrical component Speaker:
rating:

Notes

Install this product according to the installation guide.

Recommended wire connections using solder or standard quick-disconnect terminals (0.187" x 0.020" for the positive connection and 0.110" x 0.020" for the negative connection).

Installer to provide sheathed speaker wire.