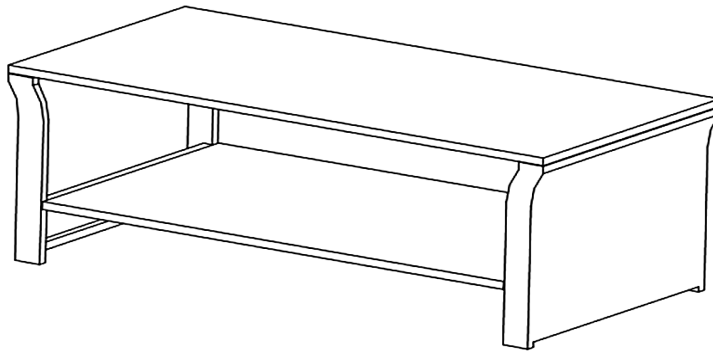


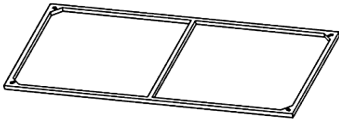
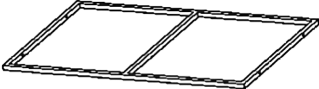
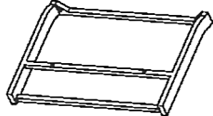
# Assembly Instructions

## Table






**CAUTION : This Table is NOT a TOY.  
Keep your child / children at bay during the assembly process.**

### Parts List

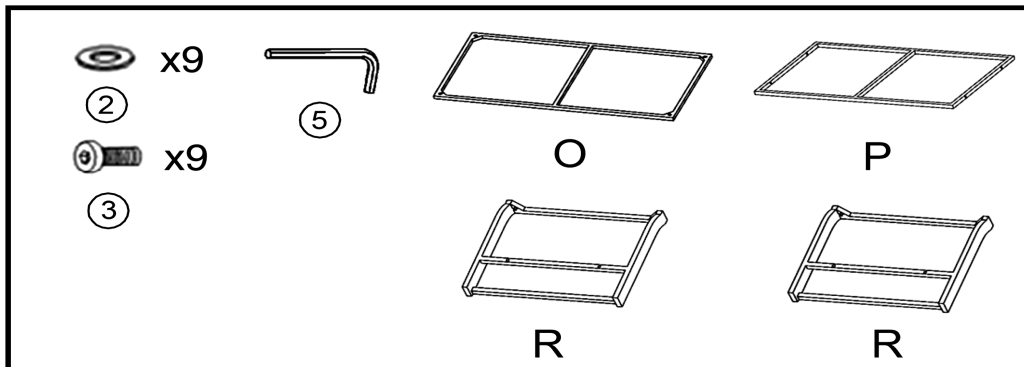
Label	Picture	Description	QTY
O		Table Top	1
P		Table Shelf	1
R		Table Leg	2

### Hardware

Label	Picture	Description	QTY
⑤		Bolt m6*30	9
②		Washer	9
③		Allen Wrench	1

# Assembly Preparation

Before Beginning Assembly:



- Read instructions, cover to cover-



- Have 2 adults on hand for assembly-



- Do not assemble on flooring or carpet-



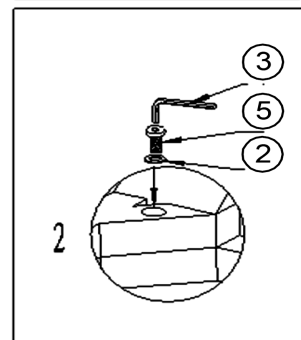
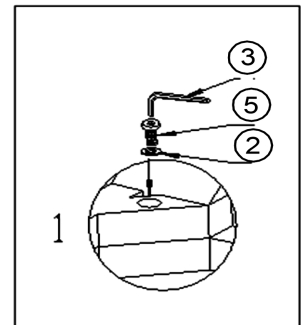
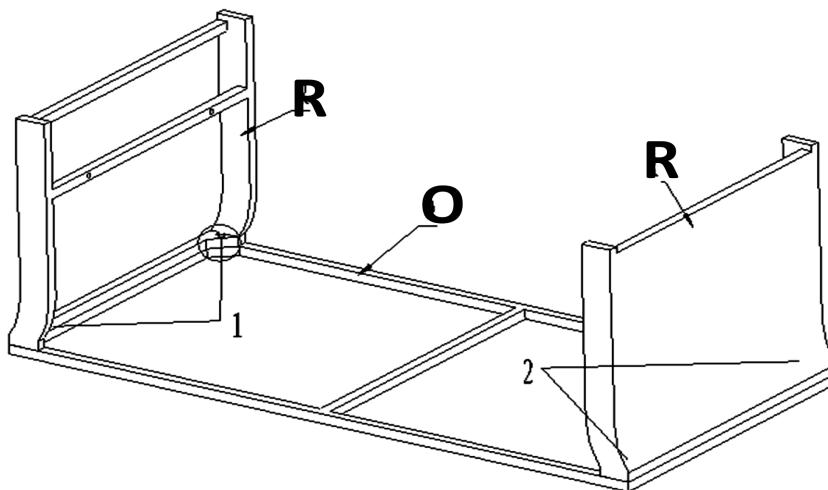
- Assemble on a clean non-marring surface (packing foam)-



- Save all packaging until finished-

## Assembly Steps

### Step 1



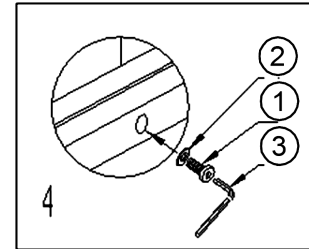
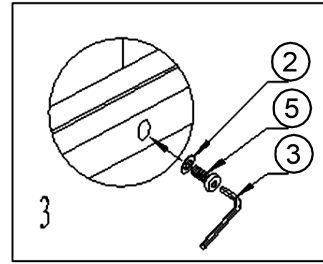
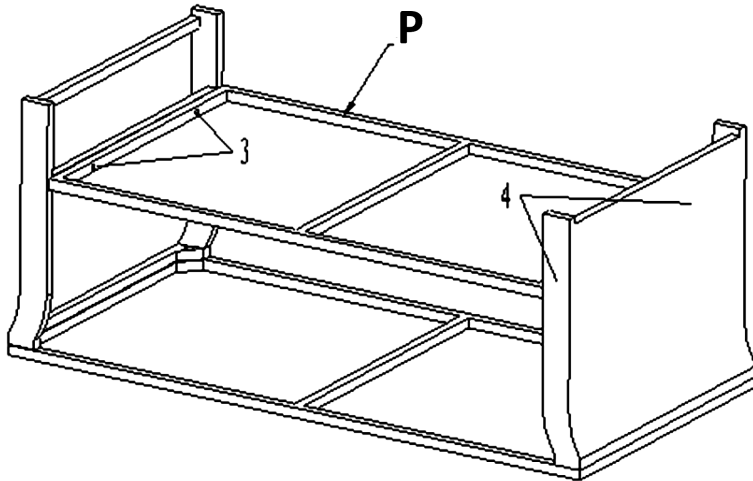
Place the Table Top(O) facedown on a soft non-marring surface.

Attach Table Legs(R) to Table Top(O) using Hardware(5), (2) with Allen Wrench as shown in Picture 1 and Picture 2.

**DO NOT OVERTIGHTEN.**

**ATTENTION:** Occasionally some of the PE wicker shifts and covers the mounting positions preventing easy assembly; the PE wicker should never be cut, but moved away from the mounting positions.

## Step 2

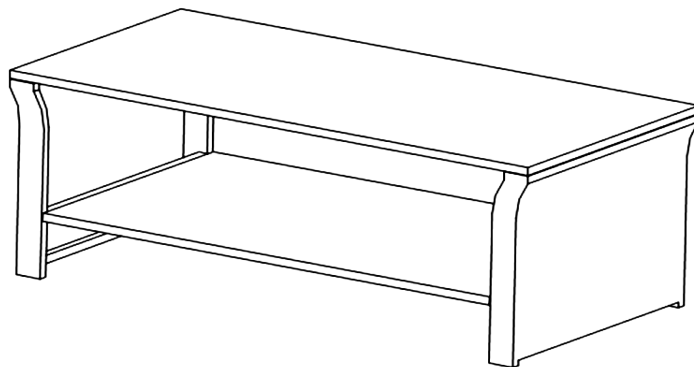


Attach the Table Shelf(P) between the two Table Legs(R) using Hardware( ⑤ , ② ) with Allen Wrench( ③ ) as shown in Picture 3 and Picture 4.

Note: You may need a second pair of hands to hold the Table Shelf steady.












**Tighten all bolts at all joints completely.**

## Step 3



Now your table is ready for use.

## Care & Maintenance

- ⊘  ● Prolonged exposure to rain may cause rusting which can stain floors.
  - ⊘  ● Do not put hot items directly on furniture surface.
  - ⊘  ● Do not clean furniture with harsh cleansers or polish.
  - ✓  ● To obtain the longest lifespan of your outdoor products, minimizing exposure to direct sunlight is recommended.
  - ⊘  ● Children should not climb or jump on the furniture.
  - ⊘  ● Do not write on furniture without a padded barrier to protect the surface.
  - ✓  ● To obtain the longest lifespan of your outdoor products, avoid extended and lengthy exposure to rain, snow, and direct sunshine. Whenever possible cover the product and /or place under patio or awnings.
  - ⊘  ● Not for commercial use. For residential use only.
  - ⊘  ● Stains may be removed with mild soap solution and damp cloth.
  - ✓  ● Keep away from sources of ignition.
- 
- ✓  ● Dust and pick-up spills using a clean, non-colored, lint-free cloth.