

Size	Stainless Steel (30"/36")	Chimney Extension	NON-DUCTED FILTERS
30 /36in		WRHCEI2	WRHF005S2

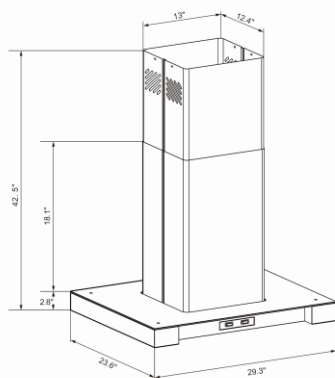
Specifications

Description	30/36" 400 CFM Max Velocity Convertible Island Range Hood
Mount Type	Island
Size	29.3"/35.8 W x 23.6" D x 42.5" H
Ceiling Height	8-9 feet
Duct Dimension	6" round
Product Weight	47/50 lbs.
Exhaust Method	Convertible
Exhaust Location	Top
Power Source	Plug in
Voltage	120
Amperage	1.5 A
Residential Use Only	Yes
Certification	ETL (compatible w/UL and CSA)
Filter	Baffle Filters
No. of Fan Speeds	2
Speed Control Type	Rocker Control
Max. Sound Level	5.5 sones
No. of Lights	4 LED
Bulb Wattage	2 W
CFM	400 (Max Velocity), 300 (Lab Tested)
Compatible Ductless Filter	WRHF005S2
Installation Hdwe. Incl.	Yes
Flexible Duct Included	Yes

Warranty

2-Year Limited on parts

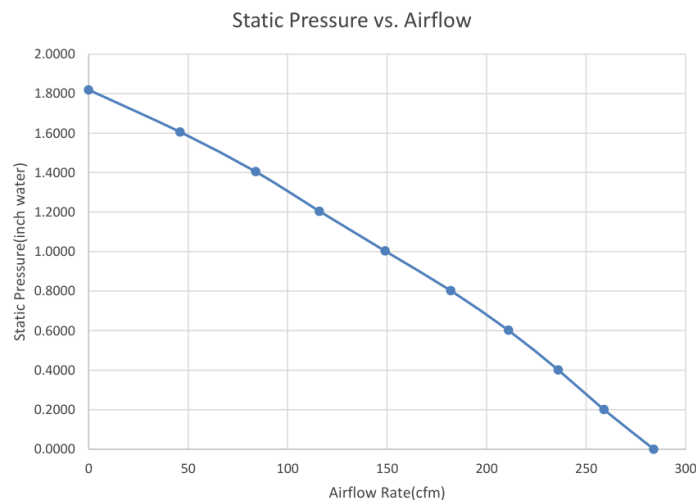
30 Drawing



Scene Display



Plot of Static Pressure vs. Airflow



* Max velocity CFM of blower measure in open air environment*