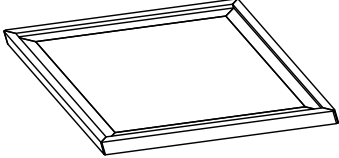
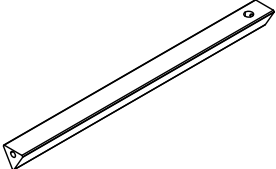
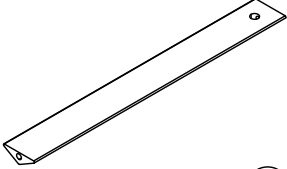
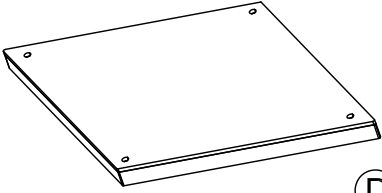

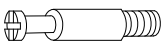





ASSEMBLY INSTRUCTIONS

ITEM # : 30024-75-01 / 30024-75-02

ACCENT TABLE

PARTS & HARDWARE LIST

 <p>(A) TABLE TOP x 3</p>	 <p>(B) SMALL TRIANGLE LEGS x 6</p>	 <p>(C) BIG TRIANGLE LEGS x 6</p>
 <p>(D) SHELVES x 3</p>		
<p>(H1) </p> <p>ALLEN BOLT x 12 (Ø1/4" x 35 MM)</p>	<p>(H2) </p> <p>CAM x 12 (Ø1/4" x 35 MM)</p>	<p>(H3) </p> <p>CAM LOCK x 12 (Ø1/4")</p>
<p>(H4) </p> <p>ALLEN KEY x 1 (M4)</p>	<p>(H5) </p> <p>SCREWDRIVER (NOT INCLUDED)</p>	

Customer Service Contact Information:

Toll Free Phone Number: 1-844-771-2727

Email: consumercare@lanefurniture.com

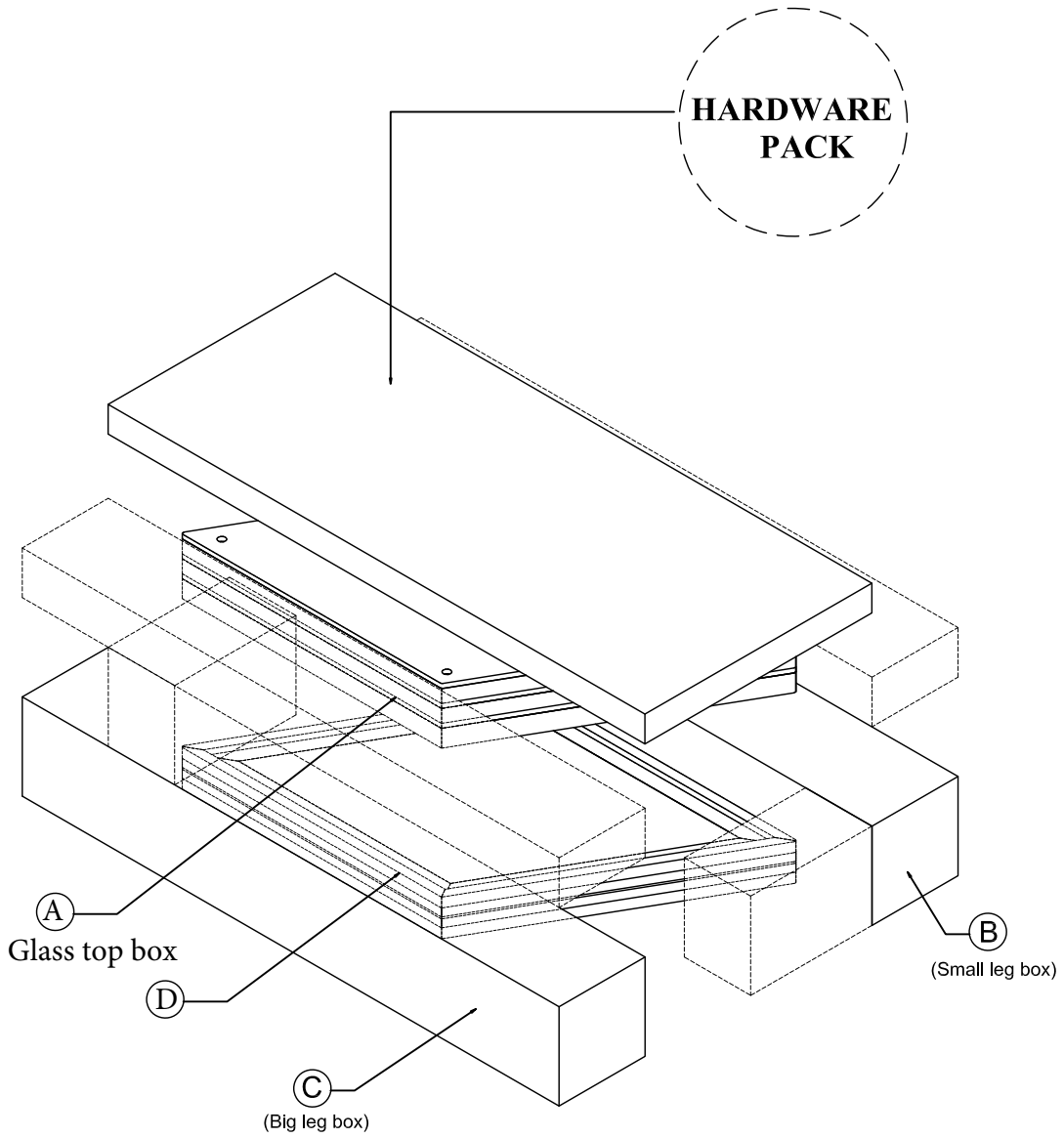
Website: www.lanefurniture.com

NOTES :

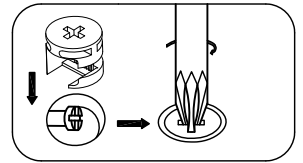
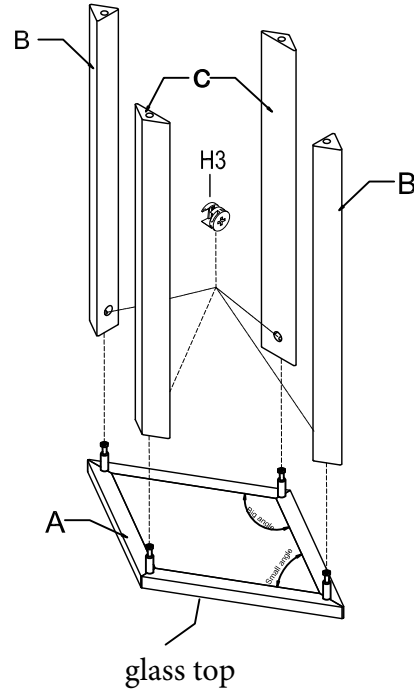
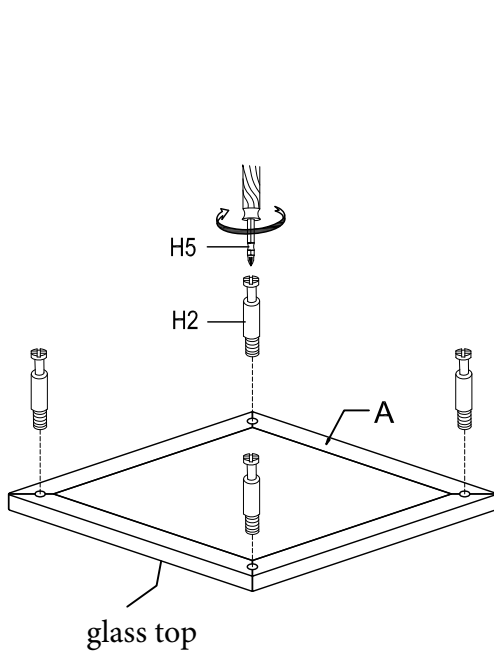
1. CHECK CAREFULLY FOR SMALL PARTS WHICH MAY COME LOOSE DURING SHIPMENT.
2. REMOVE ALL COMPONENTS FROM THE PACK AND PLACE ON A CLEAN, SOFT SURFACE TO ASSEMBLE.
3. UNITS SHOULD BE ASSEMBLED BY TWO OR MORE PEOPLE.
4. DO NOT OVER - TIGHTEN SCREW/ BOLTS UNTIL ASSEMBLY IS COMPLETED.
5. WITH USE, SCREW/ BOLT MAY BE COME LOOSE & MUST BE TIGHTENED PERIODICALLY.



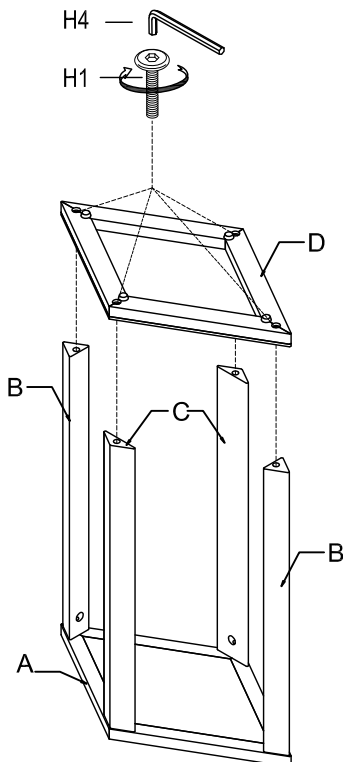
PARTS STORED INSIDE CARTON BOX AS BELOW:



STEP 1 (x3)



STEP 2 (x3)



STEP 3

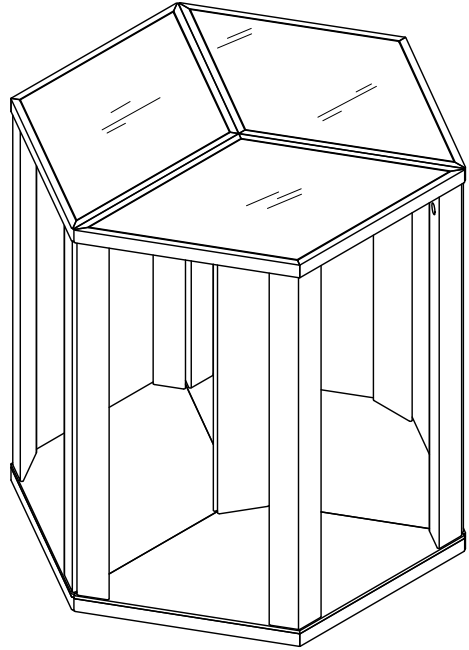
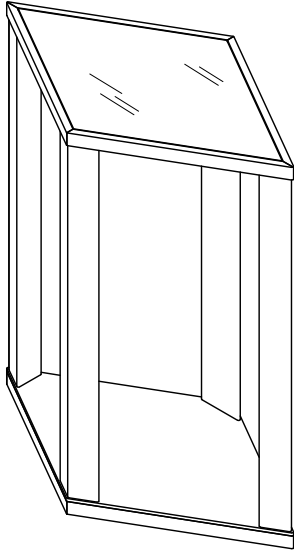


TABLE ASSEMBLY COMPLETED