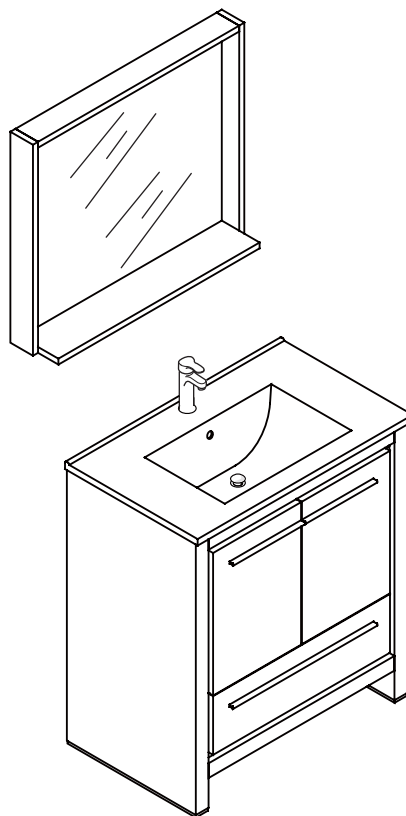
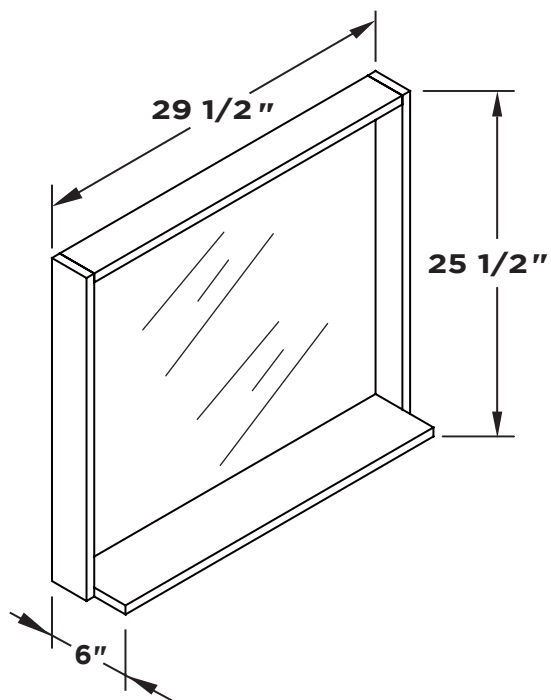
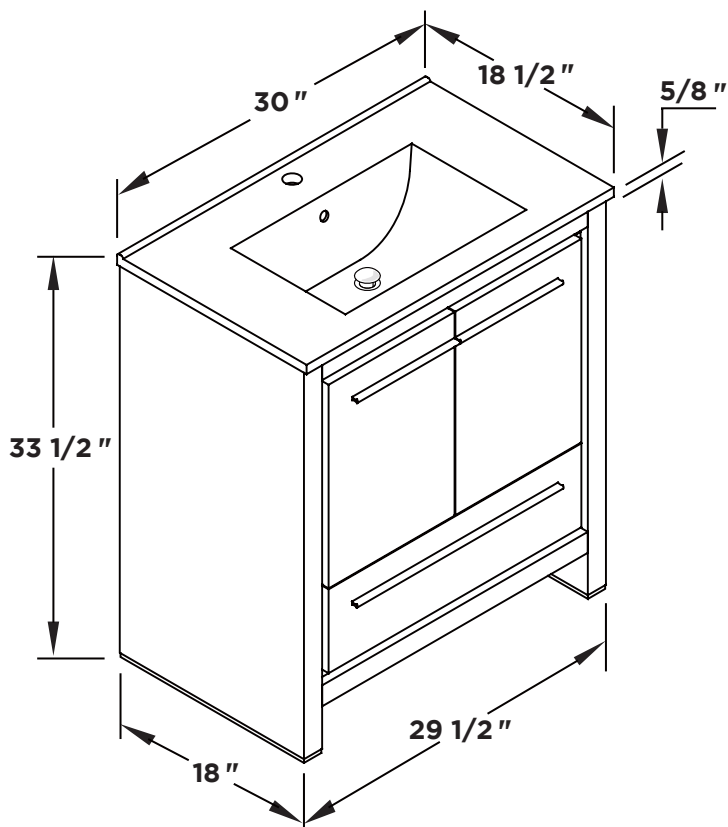


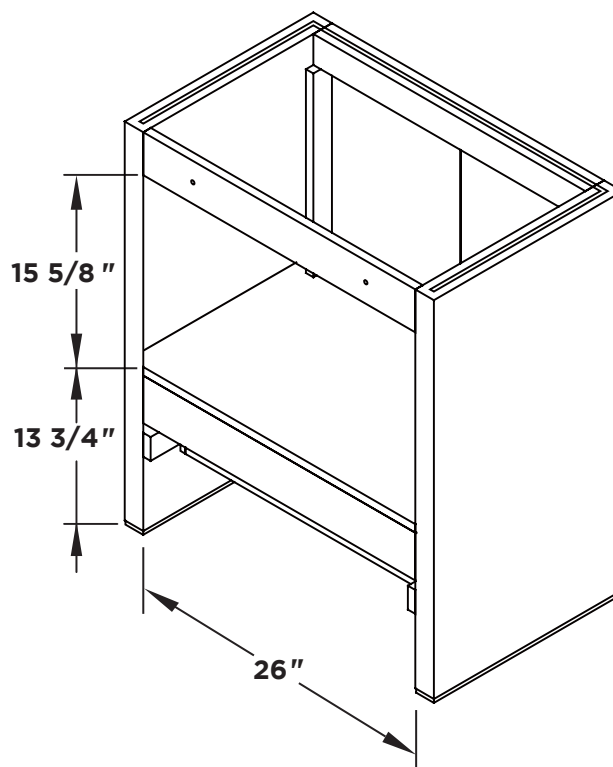
Mirror



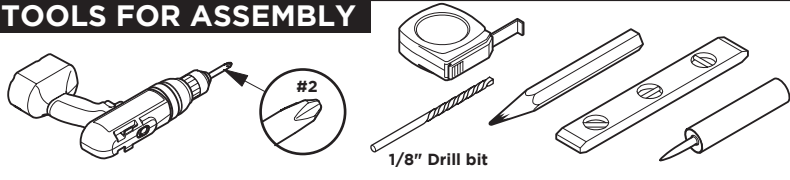
Vanity Front



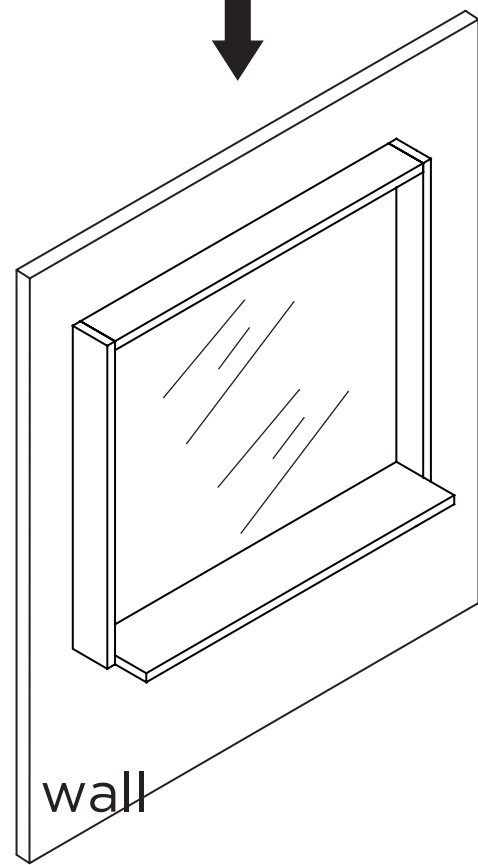
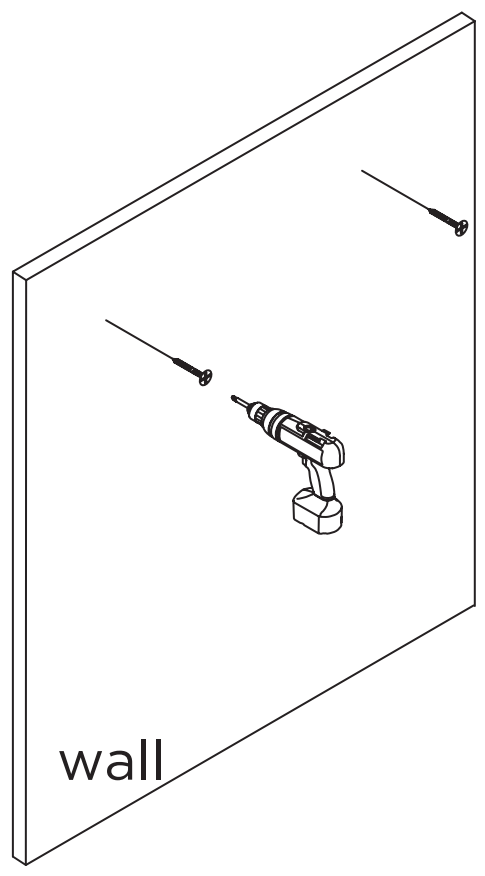
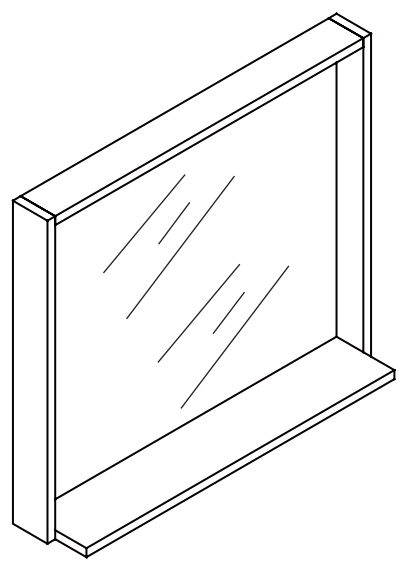
Vanity Back



TOOLS FOR ASSEMBLY

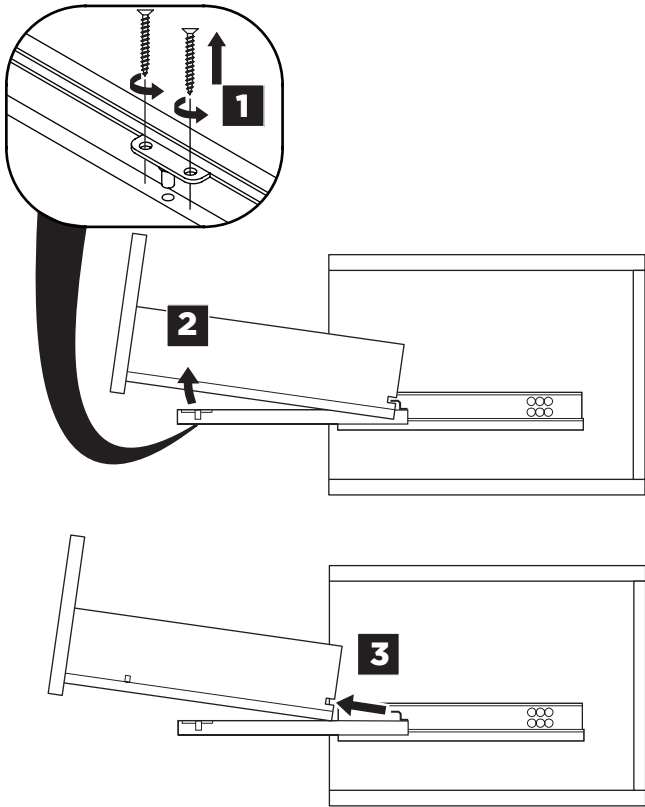


MIRROR INSTALLATION

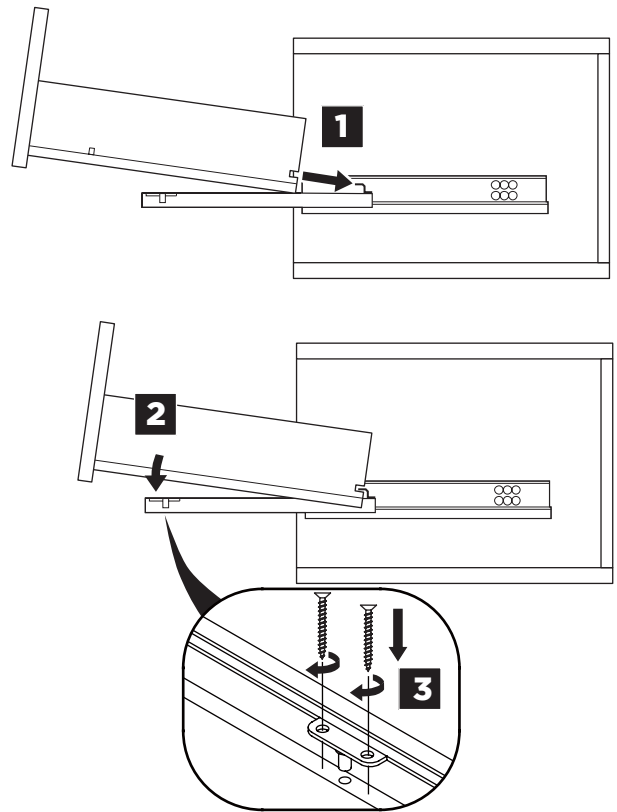


DRAWER REMOVAL & INSTALLATION

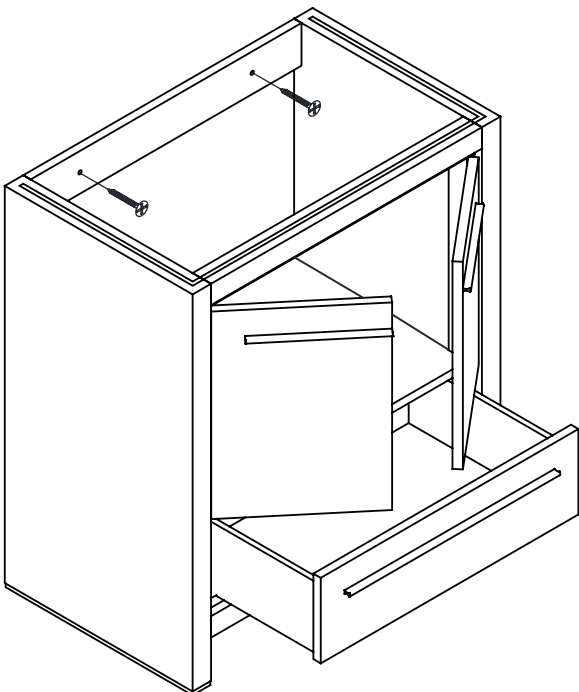
REMOVAL



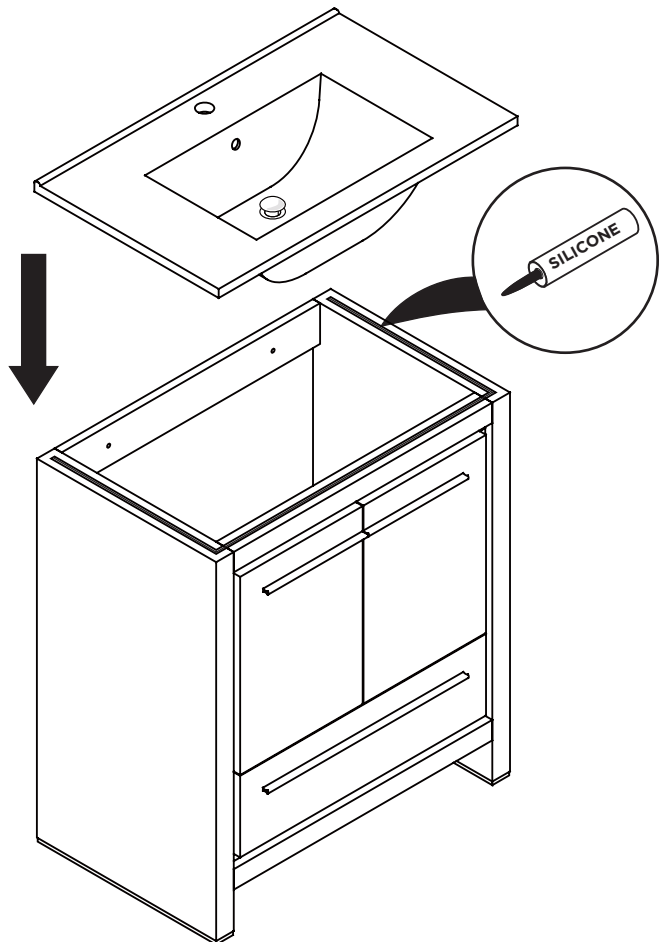
INSTALLATION

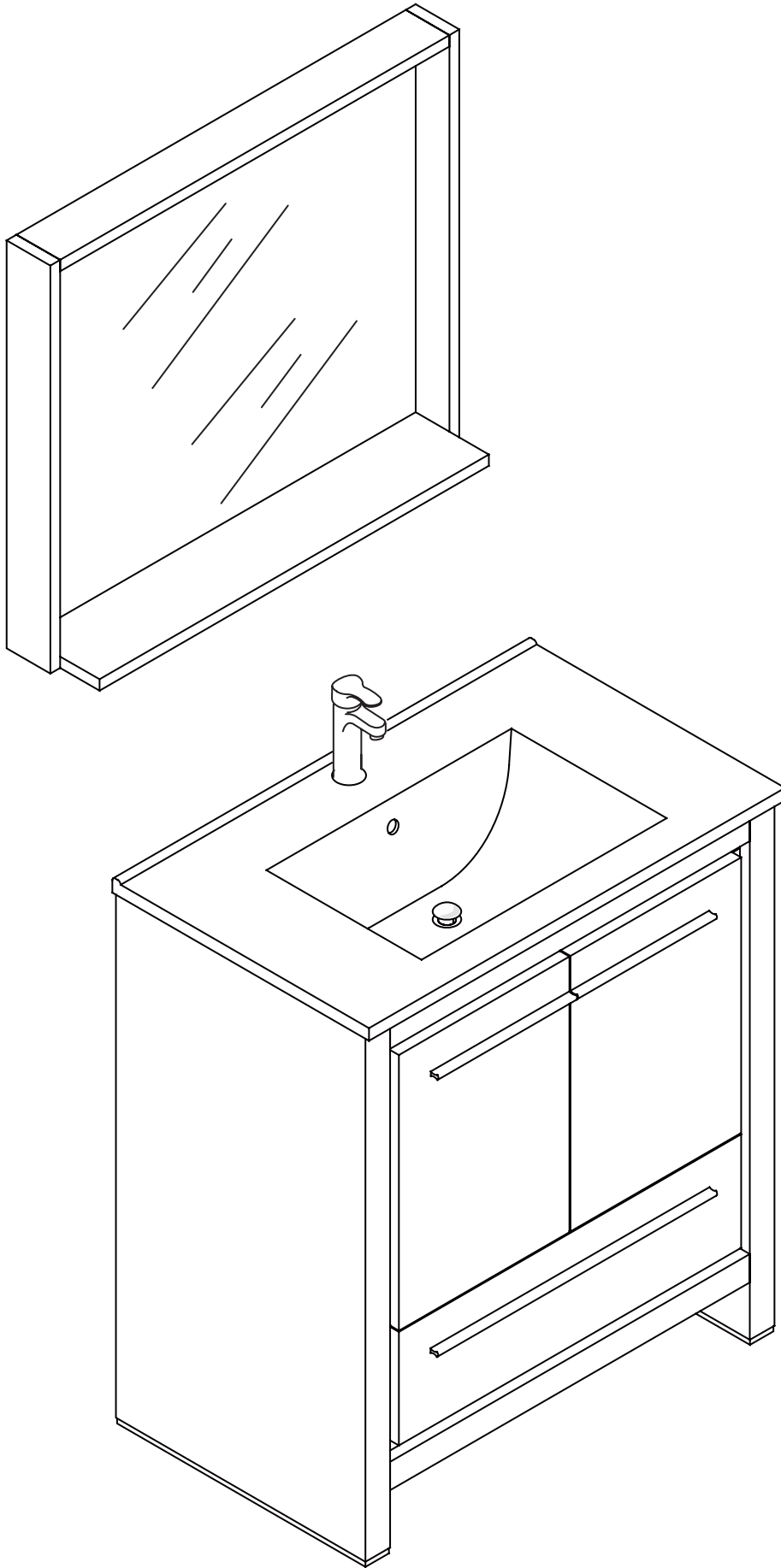


- 1** Remove drawer and open the door
- IMPORTANT:** Consult an expert for the proper screws/bolts to use when attaching to various wall constructions. Screws provided do not attach to all wall construction types.



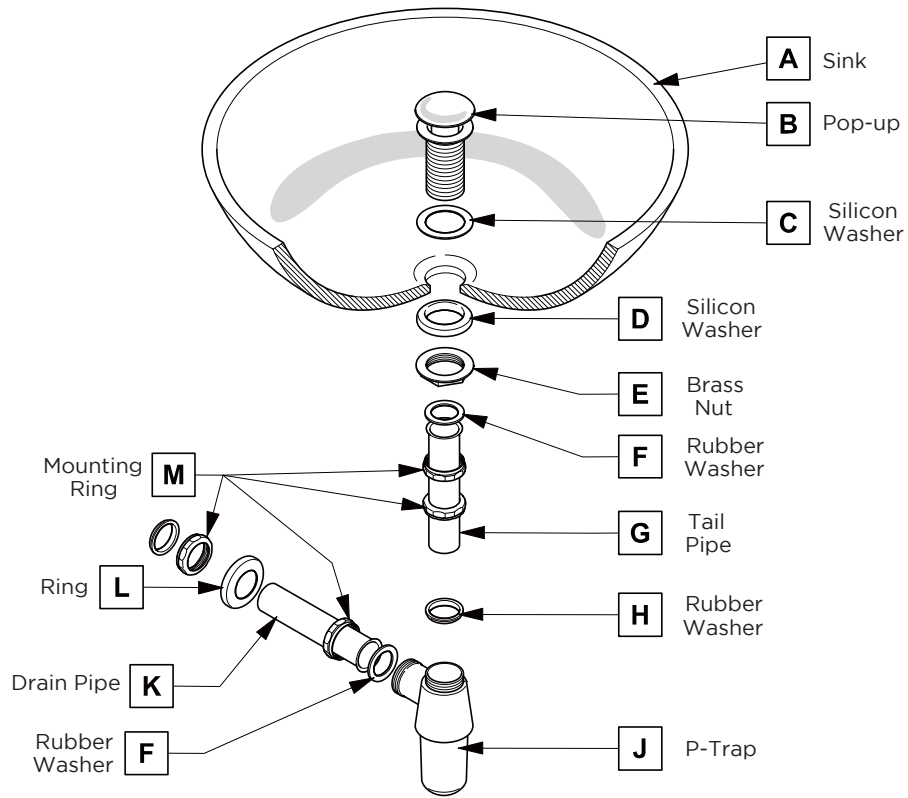
- 2** Install top panel





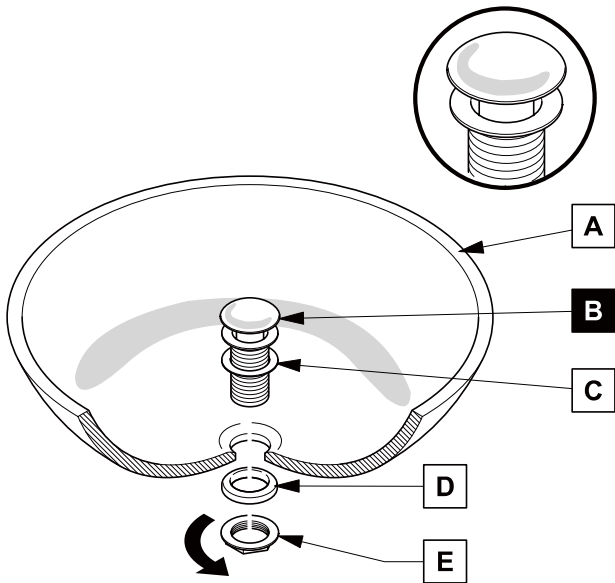
P-TRAP AND POP-UP INSTALLATION INSTRUCTIONS

Generic sink used for illustrations. Your sink may vary



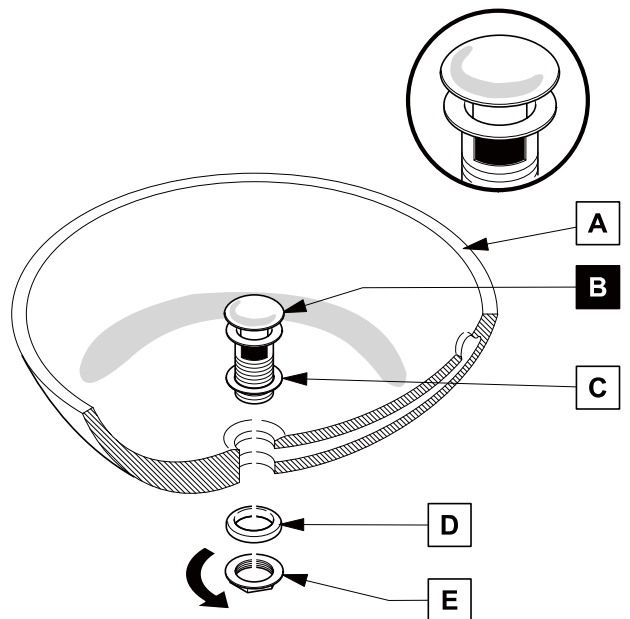
POP-UP INSTALLATION

FOR SINKS WITHOUT OVERFLOW



OR

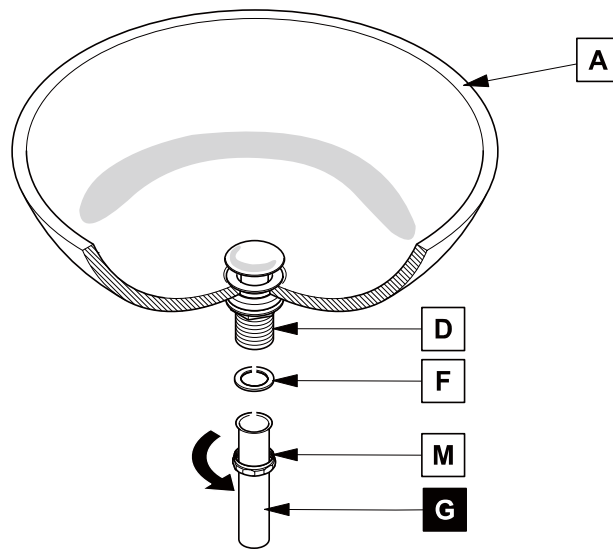
FOR SINKS WITH OVERFLOW



P-TRAP INSTALLATION

1

Install tail pipe (G)



2

Install p-trap (J)

