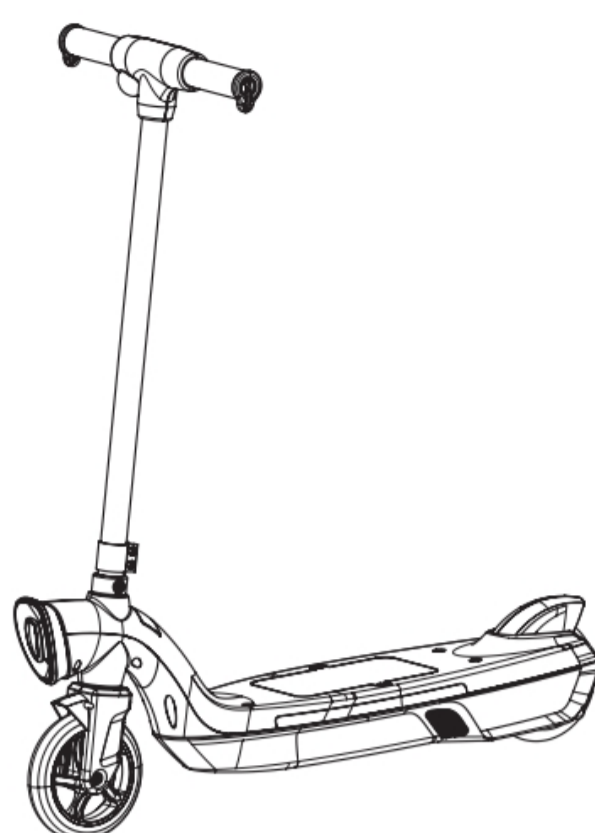


Owner's Manual

If you have any question, please contact at L843485741@outlook.com directly.



Age for: 6-14 years
Adult assembly required!

WARNING FOR USE

- Before using the vehicle for the first time the battery needs to be charged for 16 hours. Failure to do so may damage the battery and can't be repaired.
- Do not use the vehicle near streets, motor vehicles, drop-offs such as: steps, water (swimming pools), sloped surfaces, hills, wet areas, flammable vapors, in alleys, at night or in the dark.
- Only one rider use the vehicle, please not over load, the maximum capacity is 50KGS.
- Do not change the wires of the vehicle and add electrical parts.
- Please don't use in the rain or immerse the vehicle by other way, and also keep away from the fire to prevent the circuit damaged.
- Once come to an obstacle, the vehicle will stop move, please leave the obstacle then ride again.
- Don't ride the vehicle in the water, and not pour water and other liquid on the vehicle.
- Don't use the vehicle indoor to prevent damage the furniture or hurt the child.
- Close the power switch if not use the vehicle. For a long time not use, please cut off the plugs for the battery.
- Once the vehicle speed is obviously be slow, the motor is not strong, please charge the battery in time!
- Protective equipment should be worn, such as a helmet, gloves, knee-pads and elbow-pads. Not to be used in traffic.
- The toy shall be used with caution, since skill is required to avoid falls or collisions causing injury to the user or third parties.
- Warning. This toy is unsuitable for children under 6 years due to its maximum speed
- **WARNING:**This toy contains batteries that are non replaceable.
- **WARNING:**The toy must be assembled by adult before use.
- All circuit connetions in the toy must be connected properly.
- Any wrong circuit connections could cause possible dangerous malfunctions, short circuit, sudden equipment failure and other possible failures.

Please read the user manual before use. The Owner's manual contains assembly, use and maintenance instructions. The vehicle must be assembled by an adult who has read and understands the instructions in this manual. Keep the packaging away from children and dispose all packaging before use. Keep instructions for future reference.

SPECIFICATION

Battery	12V 7AH		
Motor	Drive motor:550# 12V 45W		
Age for	6-14 years		
Maximum Capacity	50kg	Speed	9-11km/h
Vehicle size	745*880*165mm		
Package size	770*180*285mm		
Net weight	7.4 kgs	Gross weight	8.6 kgs
Use time	Each charge for 10-12 hours, use 1-2hours		
Charger	Output: DC12V 1000MA Input: Depend on local voltage		

Waring for Charging the battery

- 1.Ensure charger the battery to 12 hours at first time! Or the battery may damaged and can't be repaired. Each charge no more than 16 hours.
- 2.Insert the DC charger plug into charge hole on vehicle body first, then connect the other end with power supply.
- 3.Charge the vehicle when each use after 1hour, normal charging time is 10 to 12 hours.
- 4.The charger and the battery may be a little heating-up, it will be acceptable if the temperature less than 60°C.
- 5.If the vehicle won't use for a long time, it need to be charged at least once per month.
- 6.Only an adult who has read and understands the safety warnings should handle, charge or recharge of the battery. Never charger non-rechargeable battery, always pick out the power exhausted batteries. Never mix use different type battery or mix use new and old batteries.

-1-

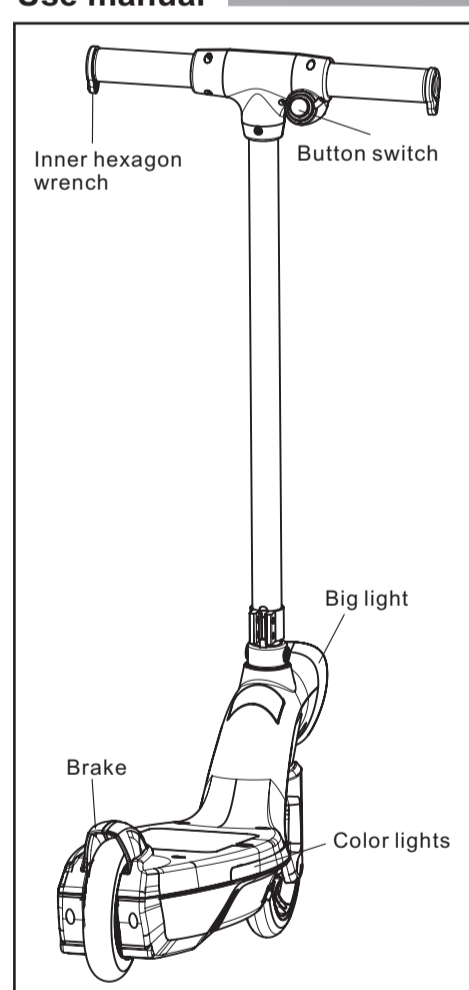
TROUBLESHOOTING GUIDE

Problem	Possible	CauseRemedy
Motor does not work	Switch not connect well. The terminal and wire on motor loose The plug for motor and battery not connected well The motor is damaged.	Repair the pedal switch. Connect the wire and terminal Reconnect the plug Replace the motor
The speed is slow	The battery with low power The gear not fit well in the motor	Charge the vehicle Change the motor
The vehicle can't be charged	The charger is damaged (if the output terminal of charger tested no voltage) The battery is damaged (connect the charger and check the) The charge socket not connected well or the welding spot loose	Change the charger Change the battery Tighten the socket or reweld the wires
Motor works while the vehicle can't move	The motor loose from the gear box The gear in gear box damaged.	Open the gear box and tighten the screws to fix the motor. Change a new gear box.
The vehicle moves but not smooth	The user weight is over 50kg. The vehicle moves on uneven surface. The wheels or axle seized up by something. The battery with low power.	No need mend.. No need mend.Just ride the vehicle on smooth surface. Check the wheels and axle,remove the debris. Charge the vehicle in time.

-6-

- Occasionally use lightweight oil to lubricate moving parts such as wheels and steering linkage. Do not use oil on plastic or nylon parts. No lubrication is required.
- Store the vehicle indoors or cover it with a tarp to protect it from the wet weather. Keep it away from sources of heat, such as stoves and heaters.
- Clean the vehicle with a soft, dry cloth. To restore shine to plastic parts, use a non-wax furniture polish. Do not use car wax, abrasive cleaners or wash the vehicle with soap and water. Water will damage the motor, electrical system and battery.

Use manual



The user stands up on the Vehicle,turn on the power switch,and press the button switch with the fingers,and the vehicle moves forward, if release the button switch, the vehicle will stop.

-5-

- 8.Never charge when the socket is wet, or may cause short circuit. Battery terminals can't been short circuit.
- 9.Always use the original battery and charger we supplied with the vehicle to prevent electrical parts or circuit.

⚠ WARNING !

The following safety hazards may result in serious injury or death to the child, please note below:

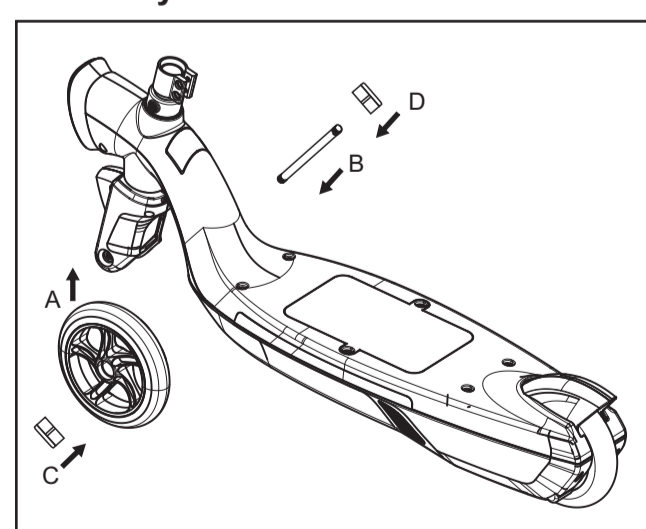
- The product must be assembled by an adult!
- The small parts need to be keep away from the children under 3 years to prevent injury!
- Always use the vehicle in a safe, secure environment with continuous adult supervision. Child use the vehicle must under adult's instruction!
- Only charge the battery by an adult. Please charge the battery before first use!
- Keep away the child from protective material and poly bags to prevent suffocation!
- Regularly check the product including charger, wires, vehicle body and other parts, once found damage, please stop to use until mend it well.

Parts list in package

- | | | | |
|------------------------|------|-------------------|------|
| ● User Manual | 1pcs | ● Charger | 1pcs |
| ● Vehicle body | 1pcs | ● Front wheel | 1pcs |
| ● Front wheel screw | 1pcs | ● Handle | 2pcs |
| ● Inner hexagon wrench | 2pcs | ● Operating lever | 1pcs |

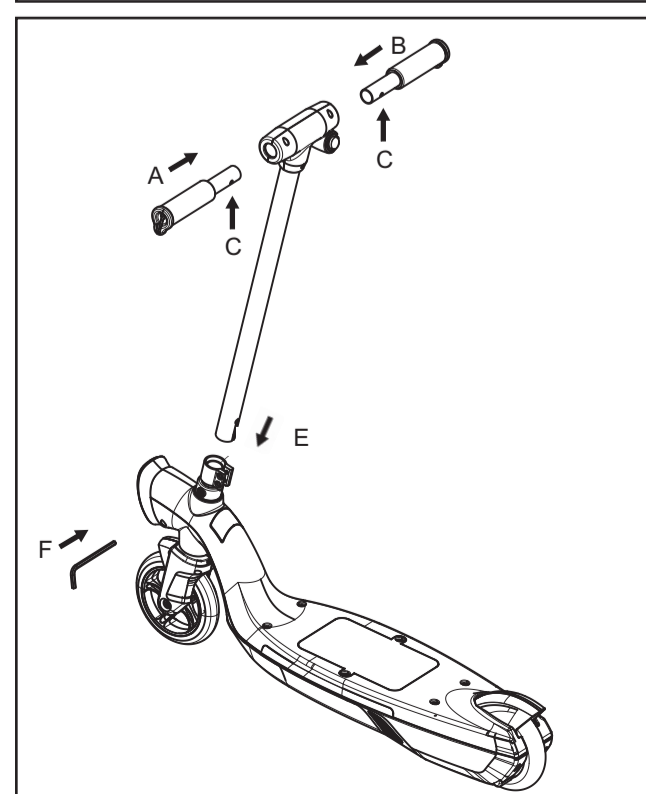
-2-

Assembly



Install the front wheel:

The axle front wheel insert the front wheel and front fork, then add the nut on the both side of axle and tighten the nut.

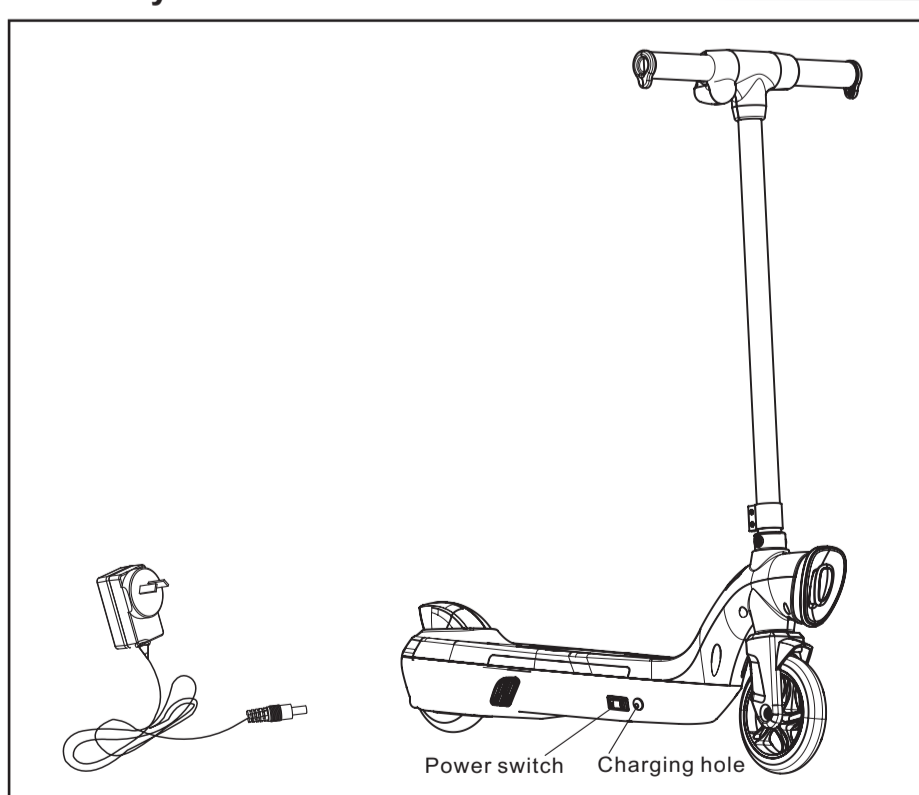


Install the handles:

Inset the handles into the operation lever,as the picture. then inset the operation lever into the corresponding position of the vehicle body,and tighten the nuts by Inner hexagon wrench.

-3-

Assembly



Charging instructions :

Insert the DC charger plug into charge the hole on vehicle body first,then connect the other end with power supply,and normal charging time is 10 to 12 hours.

Maintenance

- This product made of PP plastic, please not exposed it to the burning sun. Keep it far away from hot object, or the plastic may be melt.
- The vehicle should be checked for damage, missing or badly worn parts before each use.
- Check the tightness of the fasteners before each use.
- Check the tightness of the wheel locknuts.
- **Note:** If the wheel locknuts are not tight the drive wheel will not engage and the vehicle will not run.
- Ensure the battery is securely in place before use.

-4-