

Home Care Technical Specification

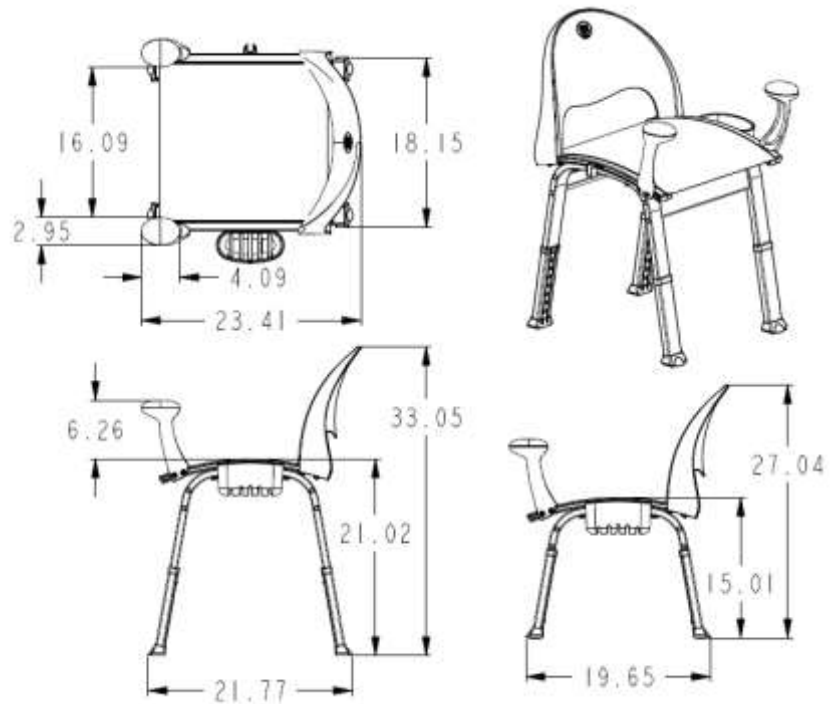
Premium Shower Chair

DN7100

Stock Numbers:

- DN7100 – Premium Shower Chair

Dimensions:



Materials:

Mesh material is Glass filled Polyester with PVC coating.

Legs and Frame are 6063 Aluminum.

Seat back is Polypropylene.

Arms are Glass filled Polypropylene.

Feet are Thermoplastic rubber (TPR).

ASSEMBLY TESTED
TO CONFIRM ADA
COMPLIANCE



TO PREVENT SERIOUS OR FATAL INJURY:
Insure product is assembled, adjusted and used properly. FOR USE ONLY BY PERSONS WEIGHING LESS THAN 400 POUNDS. Failure to follow correct assembly and/or adjustment procedures can make the seat unstable. ALL FOUR LEGS MUST BE LOCKED IN PLACE AT THE SAME HEIGHT. DO NOT jump on, stand on or tilt. Contact CSI immediately at 1-800-882-0116 if any components are missing or damaged. Do not modify or substitute any components. FOR QUESTIONS OR ASSISTANCE WITH ASSEMBLY CONTACT CSI AT 1-800-882-0116. Consult healthcare professional for advice and instructions specific to user's needs before use.

Stock Number: _____ Premium Shower
Chair By Creative Specialties

25300 AL MOEN DRIVE • NORTH OLMSTED, OH 44070
CORPORATE HEADQUARTERS: (800) 321-8809 • FAX: (800) 848-6636
INTERNATIONAL: (440) 962-2000 • FAX: (440) 962-2726
CUSTOMER SERVICE (USA): 800-882-0116 • FAX: (888) 379-2720
WWW.MOEN.COM

©Copyright Creative Specialties International

Literature #BA1445

Home Care Technical Specification

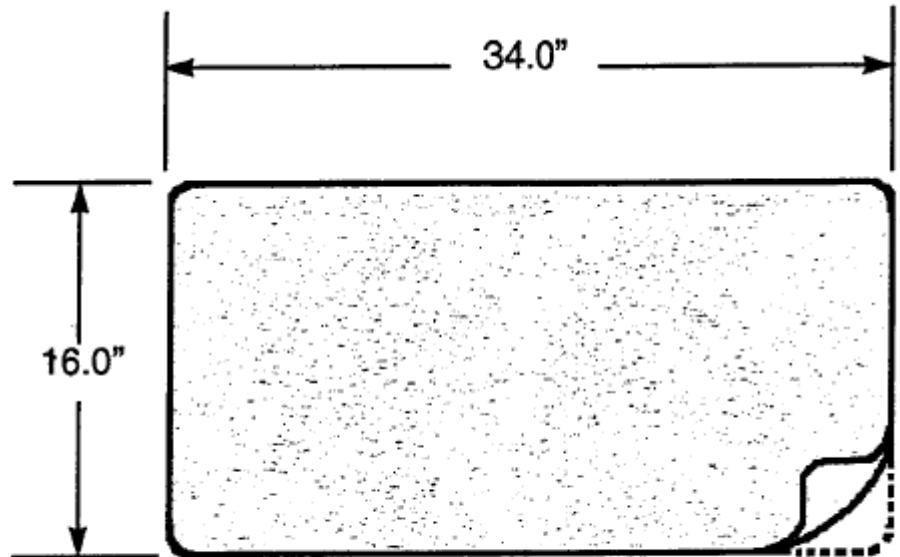
Bath Mat

DN7050

Stock Numbers:

- DN7050 – Bath Mat
Adhesive Backing
Photo Box Packaging

Dimensions:



Materials:

Bath Mat is made from polyvinyl chloride with a pebbled top surface and a waterproof adhesive backing.

Note: Mat is easily trimmed to any smaller size desired.

Installation Instructions:

1. Prepare floor. Before beginning, make sure the tub or shower floor is completely clean and dry.
2. Prepare mat. Peel away three inches of the paper backing along the edge of the mat that will be located closest to the drain.
CAUTION: Do not touch the adhesive backing under the paper.
3. Position mat. Position the mat, paper side down, exactly where you want it.
4. Secure mat. Gently press down the exposed section of the adhesive against the floor surface. Then, reach under the mat and slowly remove the remaining paper, stopping periodically to gently press down the new exposed section of the mat. The mat will adhere immediately. No drying is needed.

Stock Number: _____ Bath Mat
By Creative Specialties International