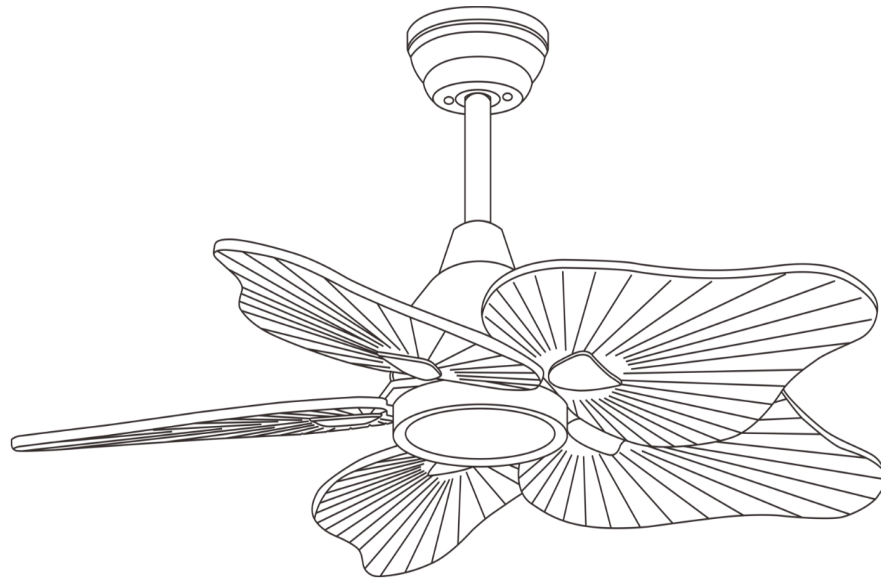


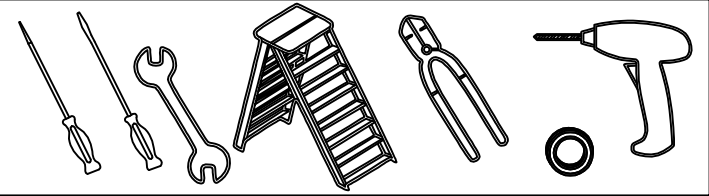
CEILING FAN INSTRUCTION MANUAL

F365-36DB

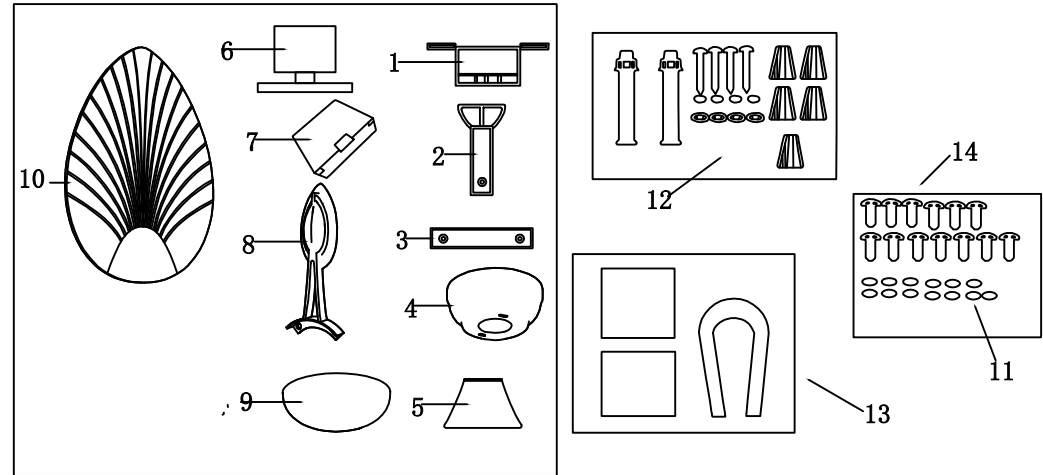


1, Tools ready

- Philips screwdriver
- Blade screwdriver
- Adjustable pliers or wrench
- Step ladder
- Wire cutter
- Electrical tape
- Impact drill



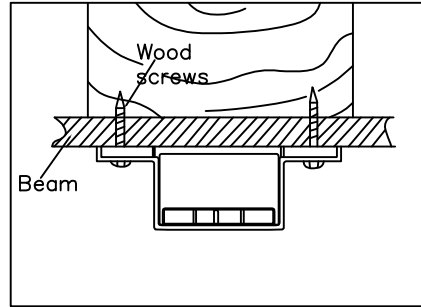
2, Parts inspection



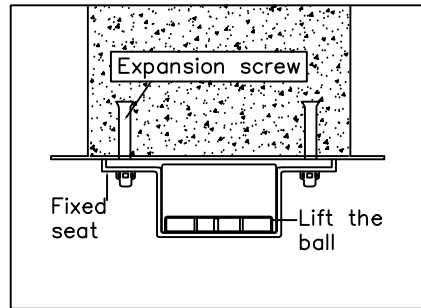
NO.	Name	Quantity	NO.	Name	Quantity
1	Hanger bracket	1	10	fan blade	5
2	5 inch downrod	1	11	Shim	16
3	10 inch downrod	1	12	Expansion screws	1
4	Canopy	1	13	Balance package	1
5	Decorative cover	1	14	Blade screw	16
6	Motor and housing	1			
7	Remote controller	1			
8	Yaksha	5			
9	lampshade	1			

3, Installation of bracket

1) To use wood screws to fix bracket for wooden or false ceiling.



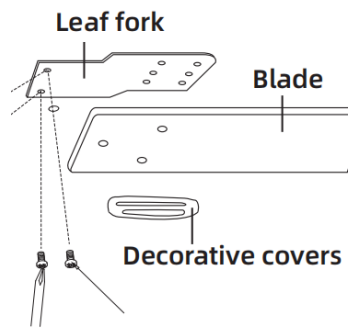
2) To use expansion screws to fix bracket for concrete ceiling before that will need to drill dia.8mm expansion bolts.



4, Install the blades

1) Fix the bracket and fan blade with screws in turn.(Figure 1)

2) Fix the fixed support blades on the motor in turn..(Figure 2)



Motor screws
Figure 1

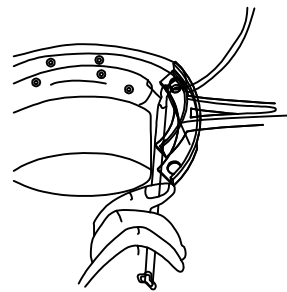


Figure 2

2

5. Lamp installation

1. Connect the corresponding wires at the bottom of the lamp and the motor.

2, Make sure the steel wire rope is properly hung onto the corresponding hole

3. Install cover

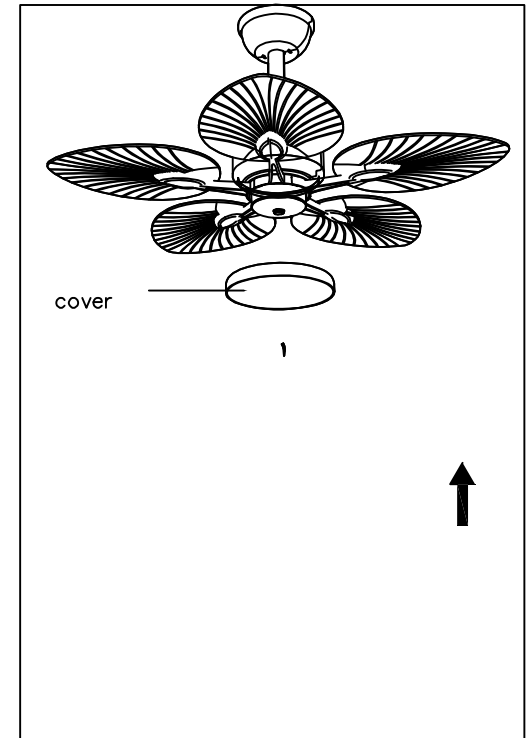


Figure 3



Figure 4

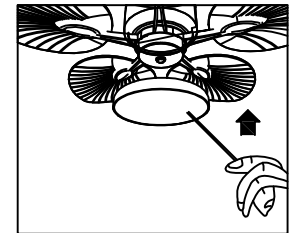


Figure 5

3

6, Installation of downrod, canopy and decorative cover Selection of downrod

1) To select the correct downrod, either 5 inch or 10 inch according to the ceiling height. Put the canopy and decorative cover through the downrod;

2) Remove the locking pin and the long pin. then remove the two downrod set screws;

3) Fix the downrod set into the fan body, lock the downrod to the fan body with set screws.

4) Mount the bracket onto outlet box by the screws, spring washers and flat washers.

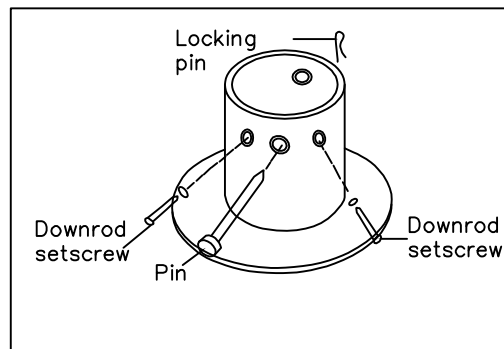
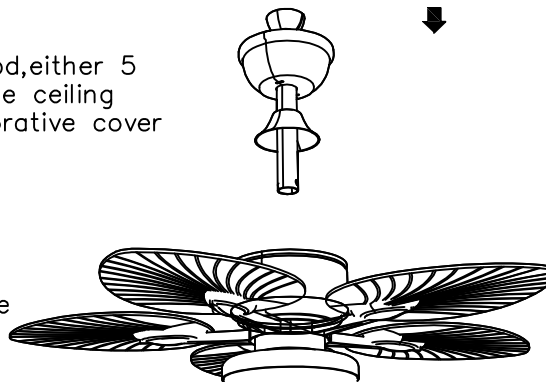
5) Hang the ball joint and the fan onto the bracket, make sure the guide pin of the bracket is fitted into slot of ball joint.

6) Insert the remote control receiver between the bracket and the downrod.

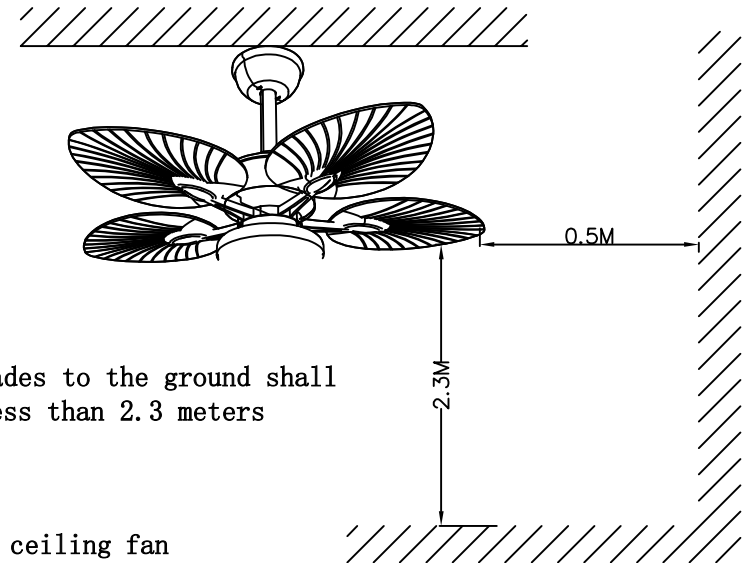
7) Connect wires from supply and the bracket to the wiring terminals.

8) Attached canopy to the bracket by aligning canopy holes with the bracket holes. Fix the canopy to bracket with set screws.

9) Install the blade brackets and blades with screws.



7. Installation height

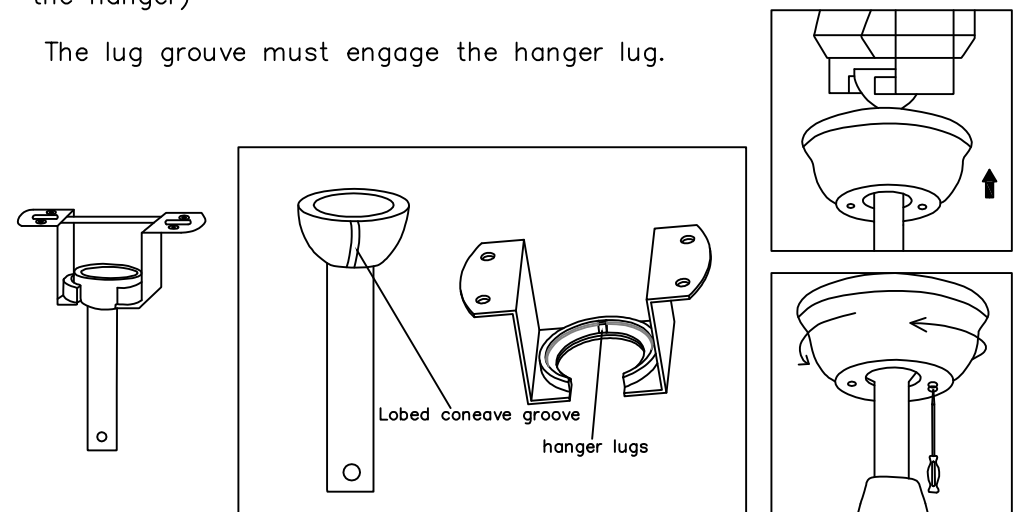


Fan blades to the ground shall note less than 2.3 meters

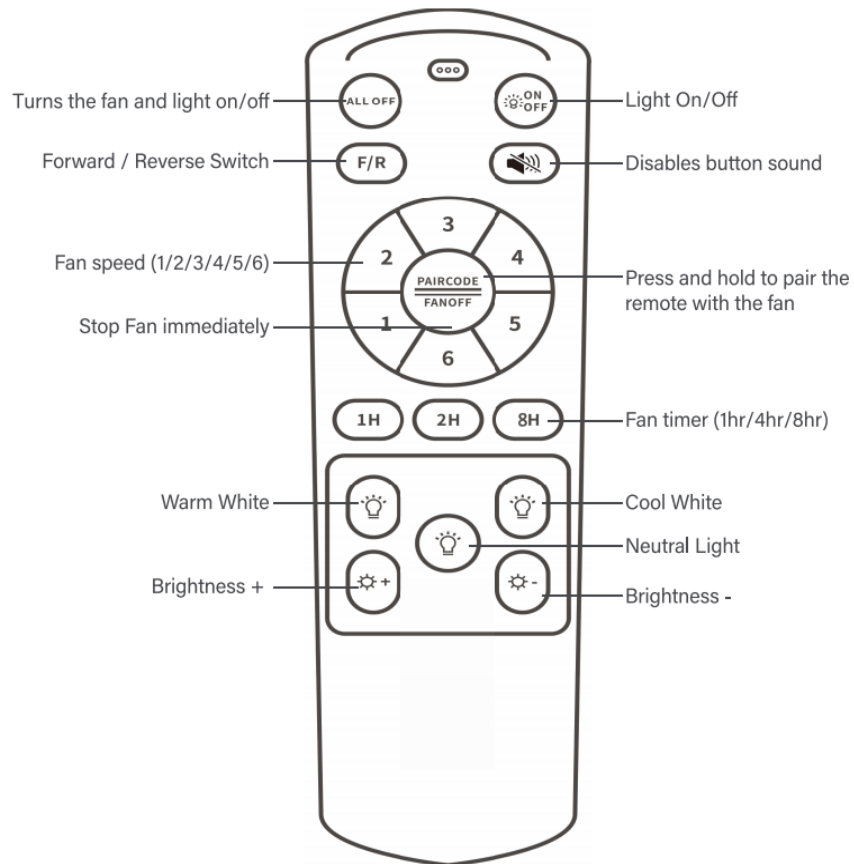
8, Hanging ceiling fan

1) Place the lobes in the hanger and turn the pipe so that the groove on the lobes engages the lugs on the dome (inside the hanger)

The lug groove must engage the hanger lug.



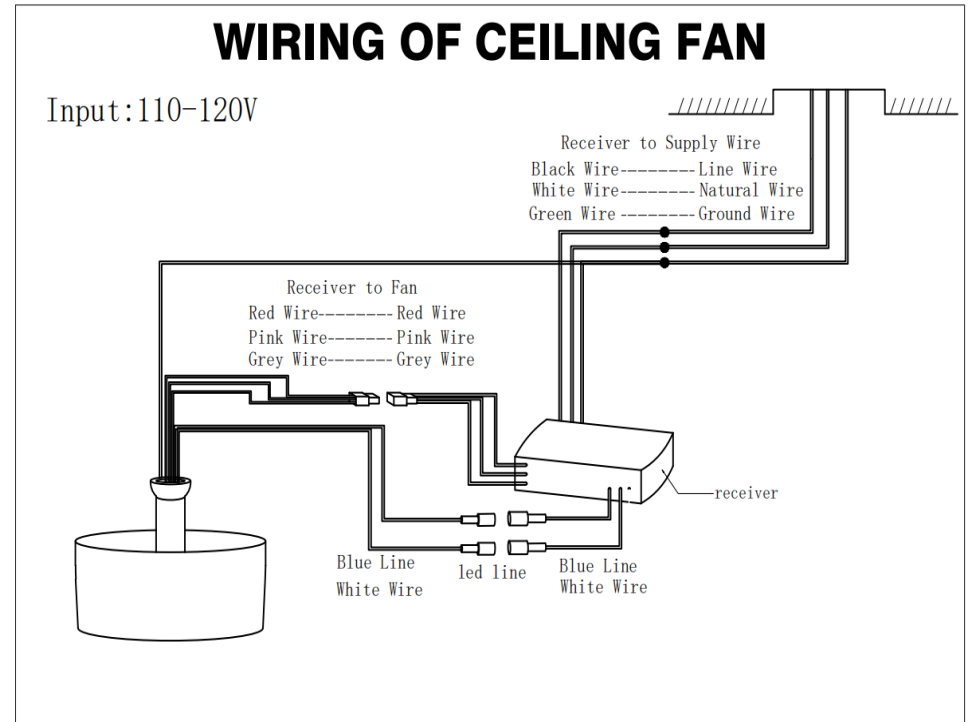
Remote control operation instructions



When the remote control and fan fail to work, please follow the following method to match the codes:

First, turn off the switch on the wall. After 10 seconds, turn it back on. Immediately after turning it on, press the "FAN OFF" button and hold it for 5 seconds.

9, Connect the power cord



10, The balance adjustment of the fan

Fan is installed, if it shakes up and down, please check the screws in blades, downrod, and the lamp kit if they are fix, if not, please fix it with screw driver. If it still shakes, please use the balancing kit stools and check the instruction of balancing kit inside the carton.

Warm Tips: the Maintenance of Ceiling Fans

- 1) Because the ceiling fan always runs, please check regularly whether the hanger, fan blade, leaf rack and other parts are loose, if not, please fasten it in time to ensure it run with safety.
- 2) Keep ceiling fans clean regularly. Only use a soft brush or a lint-free cloth to clean it gently. Do not use a damp cloth or other destructive cleaner.
- 3) Don't add lubricating oil or lubricant to any part of this product.