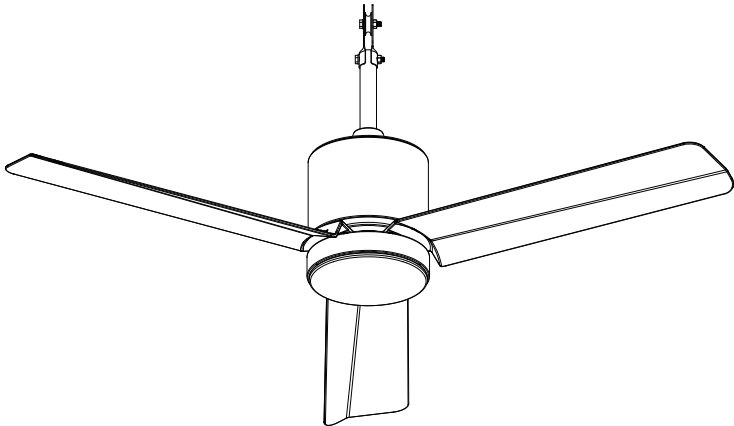


INSTALLATION & USER MANUAL

42 INCH CEILING FAN WITH LIGHT



Item#40003-BK

Customer Service: support@ceilingfanhelp.com

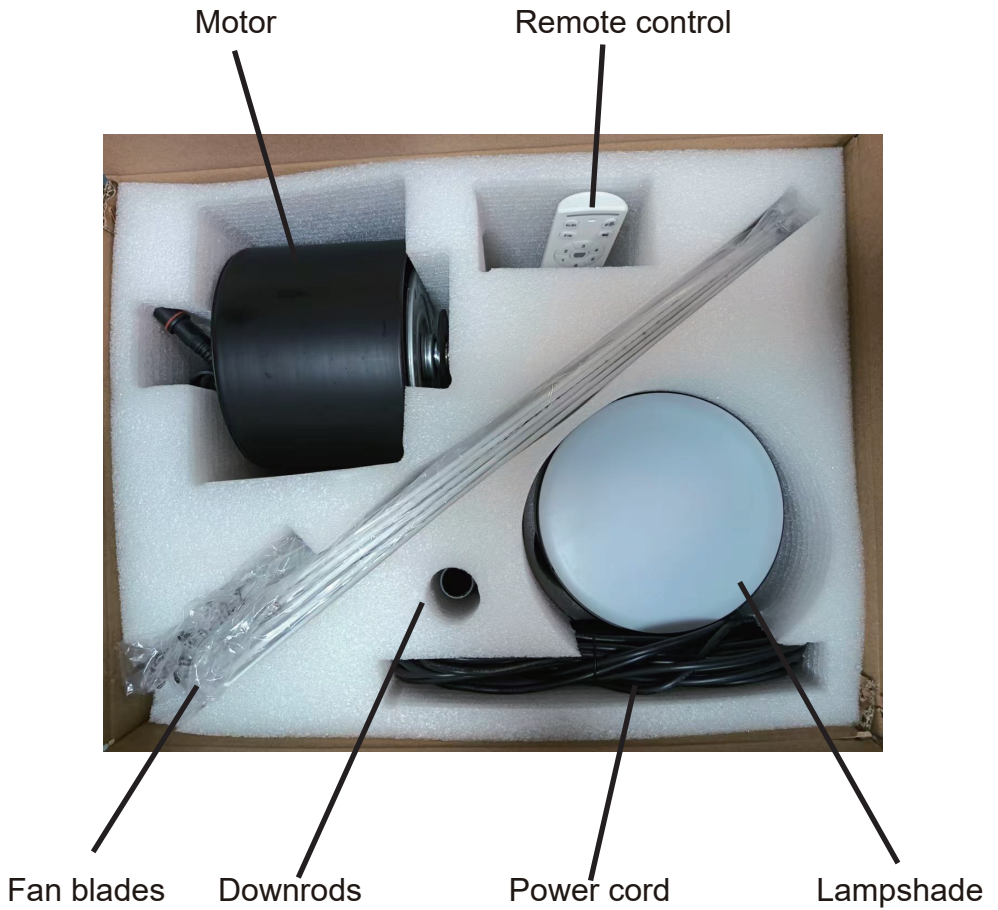


Table of Contents

Table of Contents.....	3	Exploded View.....	5
Safety Information.....	3	Installation Instructions.....	6–10
Dimension Reference.....	4	Troubleshooting Guide.....	11
Hardware Included.....	4		
Fan Parts Included.....	4		

Safety Information

READ AND SAVE THESE INSTRUCTIONS.

1. To reduce the risk of electric shock, ensure the power is turned off at the circuit breaker or fuse box before installation.
2. All wiring must be in accordance with the National Electrical Code “ANSI/NFPA 70” and local electrical codes. Electrical installation should be performed by a qualified licensed electrician.
3. Make sure the outlet box and support structure are securely mounted and rated to safely support a fan weighing up to 35 lbs (15.9 kg); this fan must be installed on a UL-listed outlet box clearly marked “Acceptable for Fan Support of 35 lbs (15.9 kg) or less.” If you are unsure about safety or compatibility, please consult a qualified electrician.
4. Do not place objects in the path of the blades.
5. To clean the fixture, turn off the power, wait for it to cool, and wipe the fixture with a clean, soft cloth.
6. After making electrical connections, spliced conductors should be turned upward and carefully pushed into the outlet box. The wires should be spread apart with the grounded conductor and the equipment-grounding conductor on one side of the outlet box and ungrounded conductor on the other side of the outlet box.
7. All set screws must be checked and retightened where necessary before installation.



WARNING: To reduce the risk of electrical shock or fire, do not use this fan with any solid-state fan speed control device. Such use will permanently damage its electronic circuitry.



WARNING: To reduce the risk of personal injury, do not bend the blade brackets during installation, blade balancing, or fan cleaning.



WARNING: To reduce the risk of fire, electric shock or personal injury, mount to outlet box marked “acceptable for fan support of 35 lbs. (15.9 Kg) or less” and use screws provided with the outlet box.



WARNING: To avoid possible electrical shock, turn the electricity off at the main fuse box before wiring.



WARNING: To reduce the risk of electrical shock, this fan should not be installed with an isolating wall control or switch, as it may cause incompatibility issues.



CAUTION: To reduce the risk of personal injury, use only the screws provided with the outlet box.



CAUTION: Please use carefully when working around or cleaning the fan to avoid injury or damage to the fan.

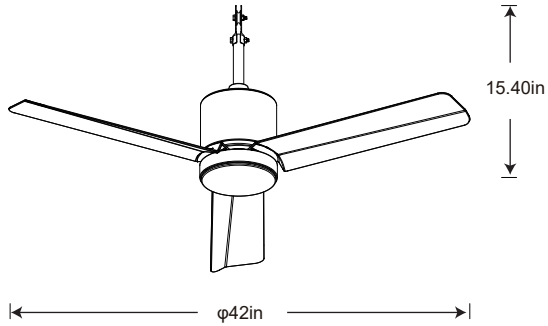


CAUTION: The fan must be mounted with a minimum of 7 ft (2.1 m) clearance from the trailing edge of the blades to the floor.










CAUTION: Changes or modifications not expressly approved by the party responsible for compliance could void the user’s authority to operate the equipment.



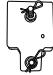






Dimension Reference



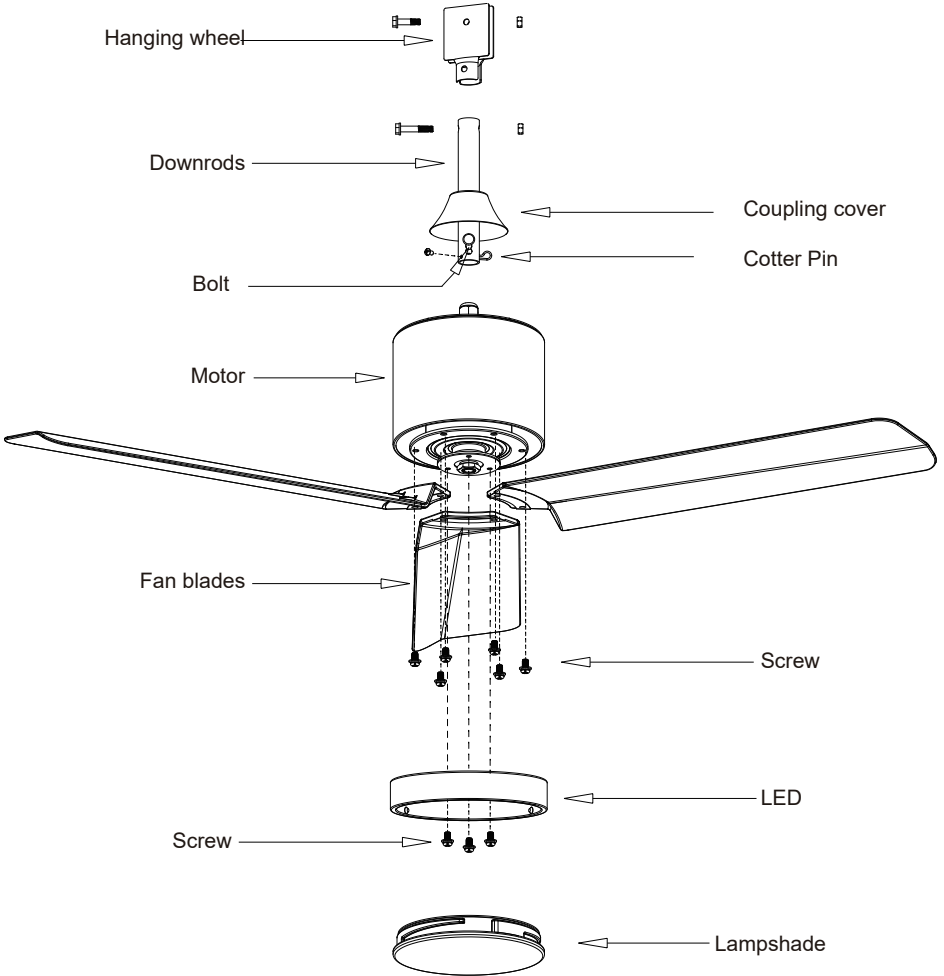
Hardware Included

	S1		S5	Hardware Package S1. J-box screw S2. Self-tapping screw S3. Washer S4. Spring washer S5. Expansion screw S6. Hook/expansion sleeve S7. Zip ties / zip tie screws	Quantity 2 2 4 2+2 1 1+1 3+3
	S2		S6		
	S3		S7		
	S4				

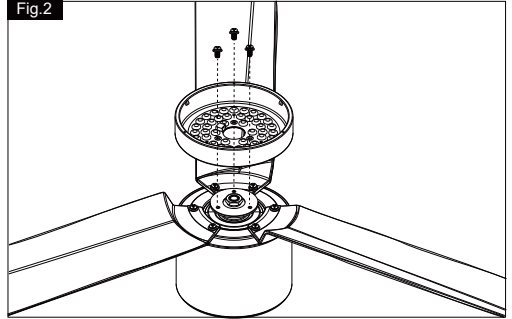
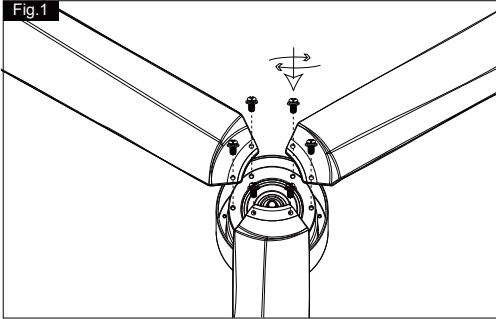
Fan Parts Included

		Item Name	Quantity
	1	1.Remote control	1
	2	2.Mounting Bracket	1
	3	3.Hanging wheel	1+1
	4	4.Downrods	1
	5	5.Coupling cover	1
	6	6.Motor	1
	7	7.LED	1
	8	8.Lampshade	1
	9	9.Fan blades	3

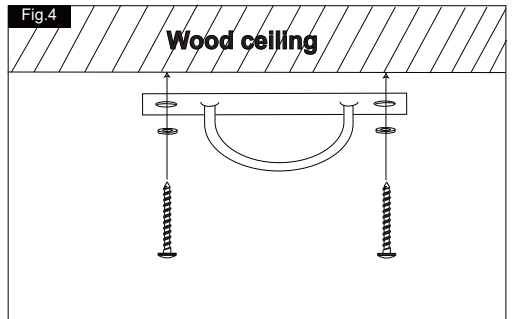
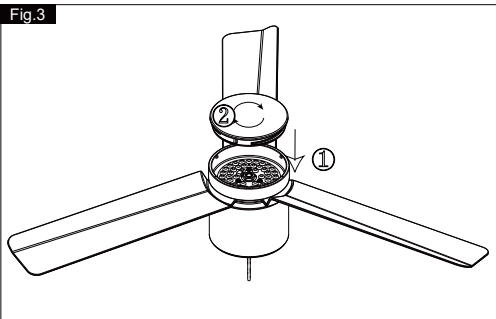
Exploded View



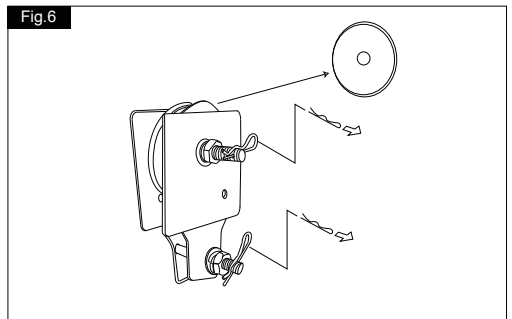
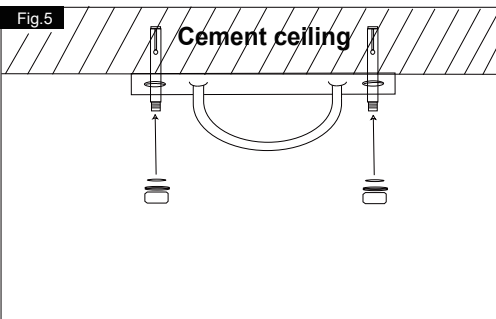
Installation Instructions



- Remove the fan blades from the package, find the corresponding position of the motor, and tighten the screws.
- Take out the lighting fixture and secure it with screws.

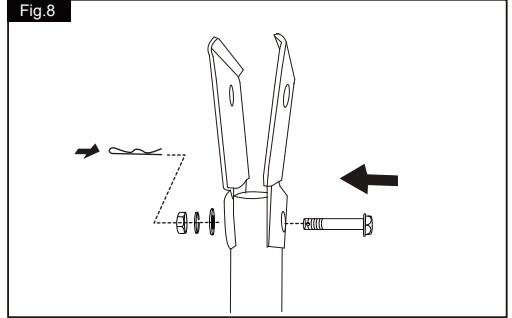
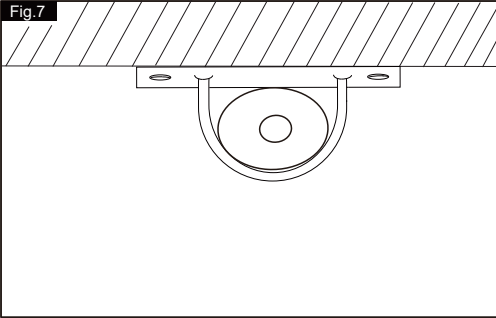


- Locate the locking point of lamp body, and screw in the lamp shade.
- Use self-tapping screws to drive into the wooden ceiling.

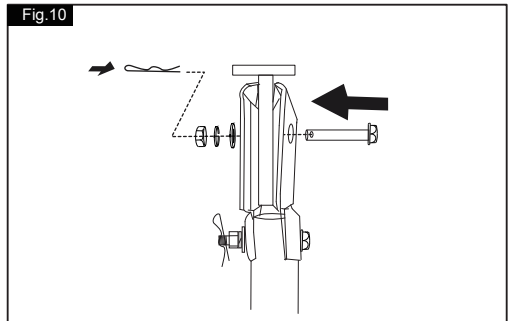
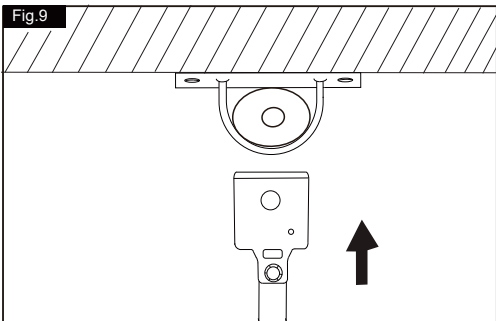


- Drill a hole on the cement ceiling, then use expansion screws to secure.
- Remove the pin, washer, and nut from the hanging wheel, remove hanging wheel clamp, and take out the rubber wheel.

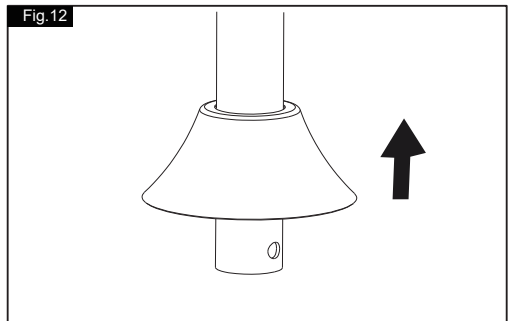
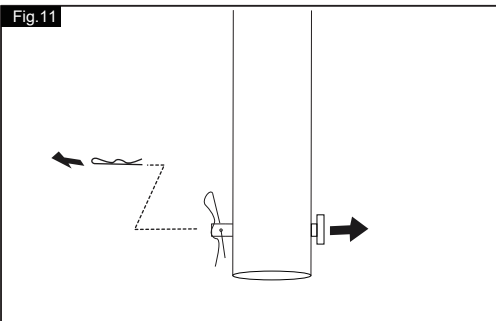
Installation Instructions



- Install the rubber wheel onto the mount bracket.
- Install the hanging wheel clamp onto the suspension downrod according to the diagram. (Select the appropriate length of downrod relative to the desired height.)



- According to the diagram, install the previously assembled suspension downrod onto the mount bracket.
- According to the diagram, insert the screw and tighten the nut, and finally insert the pin of the suspension downrod into the hole at the bottom of the screw.



- Remove the R-PIN and latch from the downrod assembly.
- Move the coupling cover upwards.

Installation Instructions

Fig.13

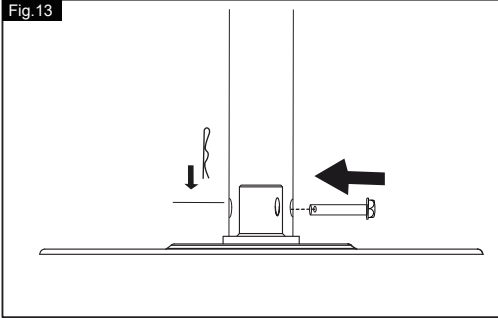
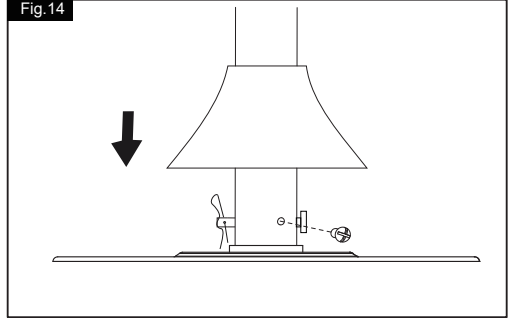


Fig.14



- Insert the downrod pin,secure the pin with the downrod clip
- Tighten the fixing screw of the downrod,Move the coupling cover downward.

Fig.15

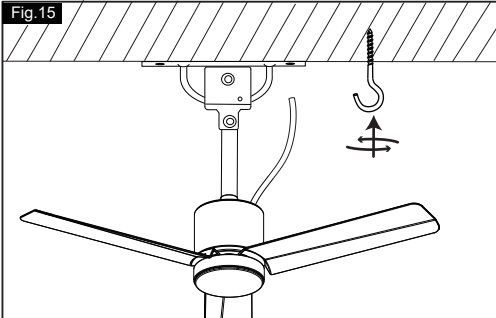
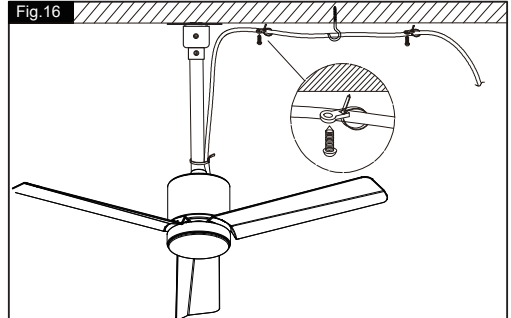


Fig.16



- Install the hook onto the ceiling. For concrete ceilings, please use an expansion sleeve.
- Hang the power cord on the hook and use zip ties to bundle up the excess cord.

WARNING: Do not loosen the lower jam screws under any circumstances.

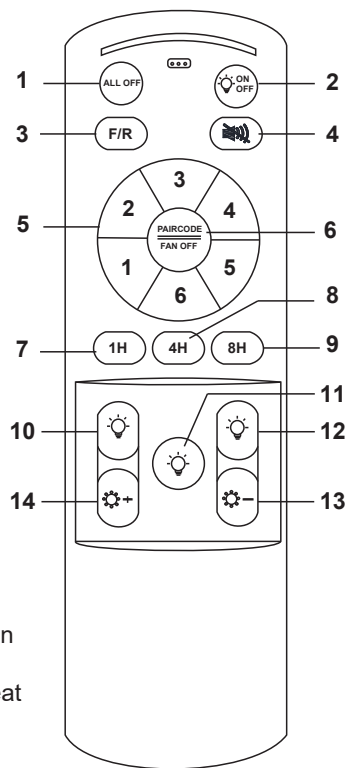
**CONGRATULATIONS!
YOU HAVE COMPLETED THE INSTALLATION**



Installation Instructions

FUNCTION INSTRUCTION OF EMITTER

Open the battery cover on the hand-held remote and install a pair of AAA batteries (1.5V, not included).

- 1.Light/Fan all off
- 2.Light on/off
- 3.Forwarda/Reverse
- 4.Buzzer mute
- 5.Speeds
- 6.Fan Off/Code
- 7.Timer 1Hour
- 8.Timer 4Hour
- 9.Timer 4Hour
- 10.Warm light
- 11.Natural light
- 12.Cold light
- 13.Brightness +
- 14.Brightness -



After powering on,press and hold“”on the handle immediately.After hearing the beep,release the“”button to turn off the beeping.(If you need to turn the prompt sound back on,turn off the power first,then turn it on again,and repeat the above actions)

Turn on the power switch, press the "PAIRCODE" within 3 seconds. The receiver will issue two "tick" sounds, indicating the pair code is successful. If not successful,turn off the power for a minute and repeat the above.

When the emitter cannot control the receiver,please check if the battery switch is functioning normally, ensure the polarity is correct, and confirm the battery has sufficient power.

When the emitter cannot control the receiver,please check if there are any similar remote-controlled products nearby, then check whether they work,because remotecontrolled product with the same frequency will disturb each other.

Please take out the battery from the emitter when leaving unused for long time.

Troubleshooting Guide

If you have difficulty operating your new ceiling fan it may be the result of incorrect assembly, installation, or wiring. In some cases these installation errors may be mistaken for defects. If you experience any faults please check this troubleshooting guide.

	Problem	Suggested Remedy
1	If fan does not start.	<ul style="list-style-type: none"> <input type="checkbox"/> Check the main and branch circuit fuses or breakers. <input type="checkbox"/> Check the line wire connections to the fan and switch wire connections in the switch housing. <input type="checkbox"/> Check the battery in the remote control. <input type="checkbox"/> Ensure you are in the normal range of 10-20 feet.
2	If fan sounds noisy.	<ul style="list-style-type: none"> <input type="checkbox"/> Ensure all motor housing screws are snug. <input type="checkbox"/> Ensure the screws that attach the fan blade bracket to the motor hub are tight. <input type="checkbox"/> Ensure the wire nut connections are not rattling against each other or the interior wall of the switch housing. <input type="checkbox"/> Allow a 24-hour "breaking in" period. Most noises associated with a new fan disappear during this time. <input type="checkbox"/> If you are using the Ceiling Fan light kit, ensure the screws securing the glassware are tight. Check that the light bulbs are also secure. <input type="checkbox"/> Ensure the canopy is a short distance from the ceiling. It should not touch the ceiling. <input type="checkbox"/> Ensure your outlet box is secure and rubber isolator pads were used between the mounting plate and outlet box.
3	If fan wobbles.	<ul style="list-style-type: none"> <input type="checkbox"/> Check that all blades are screwed firmly into blade holders. <input type="checkbox"/> Check that all blade holders are tightened securely to motor. <input type="checkbox"/> Make sure that canopy and mounting bracket are tightened securely to ceiling junction box and junction box is mounted firmly to ceiling joist. <input type="checkbox"/> Most fan wobble problems are caused when blade levels are unequal. Check this level by selecting a point on the ceiling above the tip of one of the blades keeping measure within 1/8 in. Rotate the fan until the next blade is positioned for measurement. Repeat for each blade. If all blade levels are not equal you can adjust blade levels by the following procedure. To adjust a blade tip down insert a washer (not supplied) between the blade and blade holder at the screw closest to the motor. To adjust a blade tip up insert washer (not supplied) between the blade and blade holder at the two screws farthest from the motor. <input type="checkbox"/> If blade wobble is still noticeable interchanging two adjacent (side by side) blades can redistribute the weight and possibly result in smoother operation.
4	If light does not work.	<ul style="list-style-type: none"> <input type="checkbox"/> Check blue wire from fan to make sure it is connected to hot wire from the house. <input type="checkbox"/> Check for loose or disconnected wires in fan switch housing. <input type="checkbox"/> Check for loose or disconnected wires in light kit. <input type="checkbox"/> Check for faulty light bulbs. CAUTION: Make sure main power is turned off before entering switch housing. <input type="checkbox"/> If the fan light shuts off shortly after being switched on it may be due to excessive current demand. Turn off power to the fan and replace the light bulbs with lower wattage bulbs. Turn on power to the fan using the pull chain, wall switch, or remote control (whichever is installed on the particular fan).