

LT181400TX

Pendant Light

Assembly Instructions

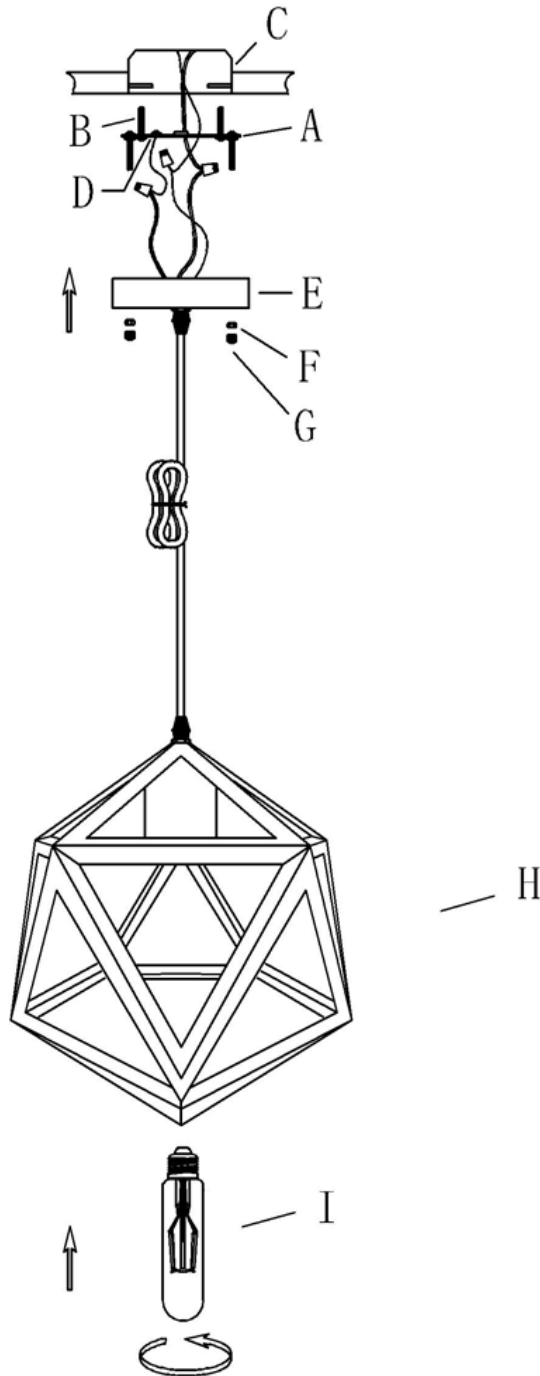


Southern
ENTERPRISES

For assistance with assembly contact:
Southern Enterprises Inc.
Customer Service 1-800-633-5096




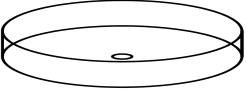
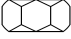

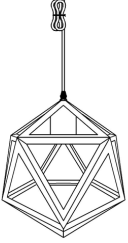
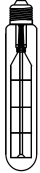
service@seidal.com

www.seidal.com



Pendant Light Parts List

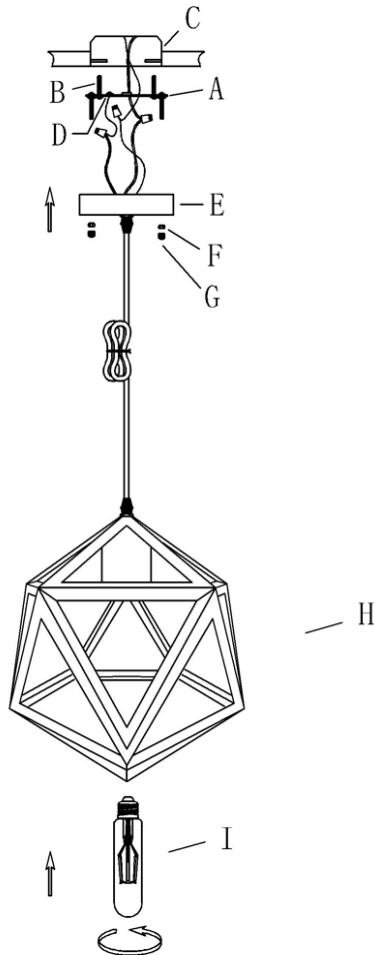
Please check packaging for all parts and hardware before discarding. Unpack and lay parts on a clean, padded surface like carpet or a blanket. Check that you have all parts indicated. Call customer service if any hardware is missing. Before beginning assembly, carefully study the diagrams below and sort your hardware according to the pictures. Using the incorrect hardware will cause damage.

<p>A. Quantity of 1</p>  <p>Mounting strap</p>	<p>B. Quantity of 2</p>  <p>Screw: H25mm</p>	<p>D. Quantity of 1</p>  <p>Grounding screw: H10mm Attached to mounting strap.</p>
<p>E. Quantity of 1</p>  <p>Canopy</p>	<p>F. Quantity of 2</p>  <p>Nut: 5/32*T3.5mm</p>	<p>G. Quantity of 2</p>  <p>Finial</p>
<p>H. Quantity of 1</p>  <p>Metal cage</p>	<p>I. Quantity of 1</p>  <p>Bulb</p>	

Pendant Light

Assembly Instructions

Figure 1



NOTE: Installation by a certified electrician is recommended.

SAFETY WARNINGS:

IMPORTANT! ALWAYS ENSURE ELECTRICITY IS OFF BEFORE BEGINNING INSTALLATION

- Find your main fuse or breaker box in your home. Place main power switch in the "off" position and unscrew the fuse(s), or turn all circuit breaker switch(es) that control power to the room in which you are working to "off."
- Turn any wall switch(es) to "off" or the off position. If any pull chains or switches are on the fixture, place in "off" mode.
- Do not damage any wire insulation during installation.
- Ensure no rough or sharp edges are in contact with any wires.

Mounting Instructions:

1. Confirm power is off.
2. Thread the 2 screws (B) into the mounting strap (A).
3. Attach the mounting strap (A) to an electrical box (C) with screws (B).

Make the wire connections:

1. Confirm power is off.
2. Connect the electrical box black wire to the black fixture wire and the electrical box white wire to the white fixture wire. Attach green/yellow grounding wire to the mounting strap and grounding screw (D).

Attach the lamp:

1. Align the holes in the canopy (E) with the 2 screws of the mounting strap (A).
2. Secure the canopy (E) to the mounting strap (A) with finials (G).
3. Untie cord and gently lower lamp to final height.
4. Install light bulb (I) and then metal cage.

Parts Replacement Form

Customer Information

Name _____

Address _____

City/State/Zip Code _____

Phone Number _____

Please indicate where you purchased this item: Store/Website/Catalog

Please indicate color/size/style number:

Style No	Parts Letter	Parts Description	Quantity Needed
_____	_____	_____	_____
_____	_____	_____	_____
_____	_____	_____	_____

Please immediately examine this product carefully. Any request for missing parts or damage replacement must be received within 90 days of your receipt of the product. Replacement, if available, will be honored within this time frame. Parts will not be available for items arriving fully assembled. We do not recommend modifying product(s) and we are not responsible for any damages due to product modification(s). If damages or missing parts are not reported within 90 days of your receipt, we are under no obligation to provide parts or replacement merchandise. Please contact Southern Enterprises at 800-633-5096 or in Dallas 972-869-0111/ 9am – 4pm Mon-Fri Central time if you have product issues or email us at service@seidal.com. Please ask for customer service representative for issues involving damages or replacement parts. Please ask for technical assistance representative for any issues with product and assembly/construction.

Please contact the retailer that you purchased from for returns.



Southern
ENTERPRISES

Customer Service 1-800-633-5096
service@seidal.com
Southern Enterprises, Inc.
600 Freeport Parkway, Suite 200
Coppell, Texas 75019