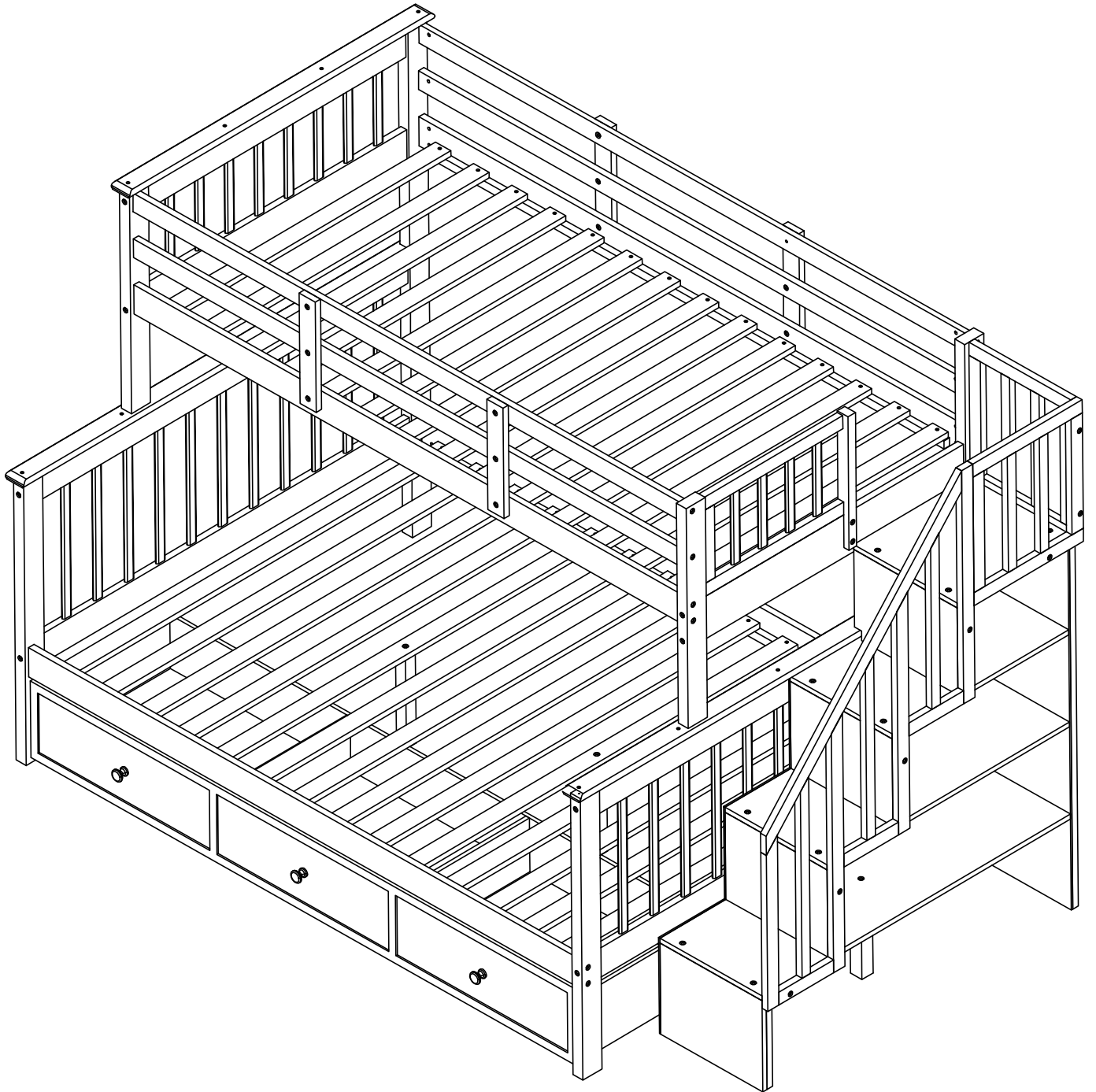


# ASSEMBLY INSTRUCTION

SKU CODE: (WF286857/WF286858/WF286859)



If you have any questions, please feel free to contact us.  
Email: [lowes.team@qualfurn.net](mailto:lowes.team@qualfurn.net)



## **SAFETY WARNING**



1. This bed is designed for use only mattress (es) meeting the following specifications on the upper bunk, and lower bunk:

Upper bunk (bunk bed and tribed included)

Bed type	Length	Width	Thickness
Twin Standard	74" – 75"	38 ½"	6" max


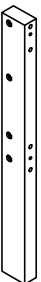

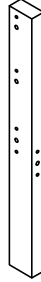
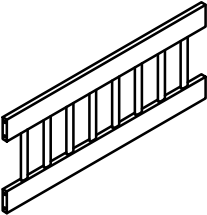
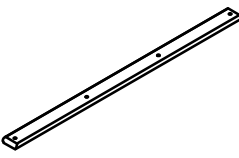

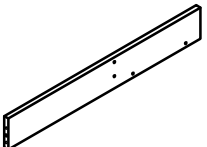




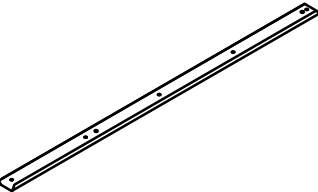
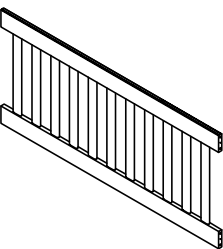
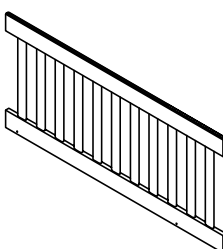

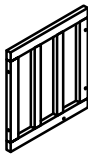
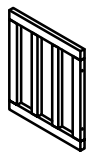
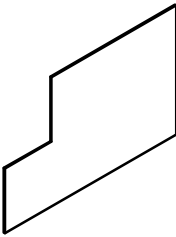
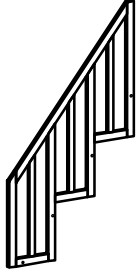
Lower bunk

Bed type	Length	Width	Thickness
Full Standard	74" – 75"	53"-54"	8" max

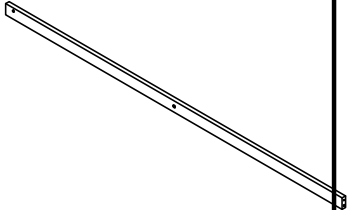

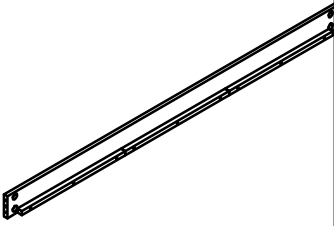
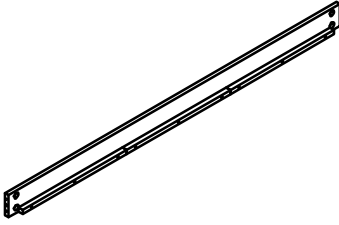
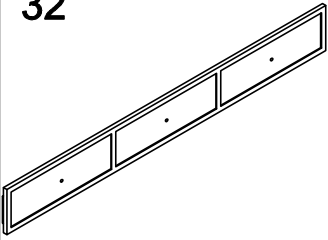
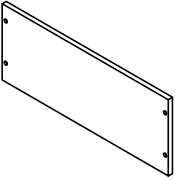
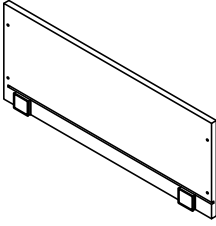
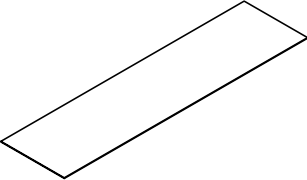
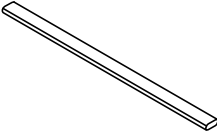
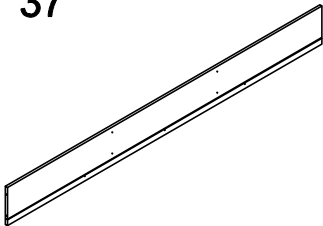
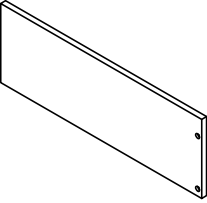
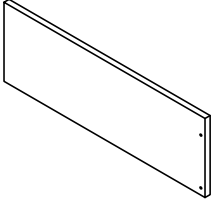
2. Replacement parts, including additional guardrails, maybe obtained from any of our (GIGACLOUD TECHNOLOGY (USA) INC. 18961 ARENTH AVENUE CITY OF INDUSTRY, CA, 91748) dealers
3. Follow the information on the warnings appearing on the upper bunk bed end structure and on the carton. Do not remove warning label from bed.
4. Always use the recommended size mattresses or mattress supports, or both, to help prevent the likelihood of entrapment or falls.
5. Surface of mattress must be at least 5" (127mm) below the upper edge of guardrails.
6. Do not allow children under 6 years of age to use the upper bunk.
7. Periodically check and ensure that the guardrail, ladder, and other components are in their proper position, free from damage, and that all connectors are tight.
8. Do not allow horseplay on or under the bed and prohibit jumping on the bed.
9. Always use the ladder for entering and leaving the upper bunk.
10. Do not use substitute part. Contact the manufacture or dealer for replacement part.
11. Use of a night light may provide added safety precaution for a child using the upper bunk.
12. Always use guardrails on both long sides of the upper bunk. If the bunk bed will be placed next to the wall, the guardrail that runs the full length of the bed should be placed against the wall to prevent entrapment between the bed and wall.
13. The use of water or sleep flotation mattresses is prohibited.
14. **STRANGULATION HAZARD** – Never attach or hang items to any part of the bunk bed that are not designed for use with the bed; for example, but not limited to, hook, belts and jump ropes.
15. Keep these instruction for future reference.
16. Prohibit more than one person on upper bunk
17. We recommend assembling your bunk bed on the shipping carton to protect your floor or carpet.
18. Be certain all staples are out of the box before beginning assembly on the shipping carton.

# PARS LIST & HARDWARE(WF286857)

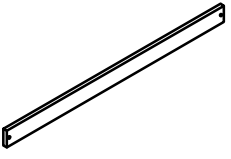
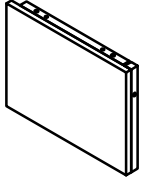
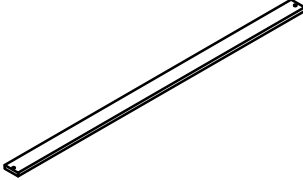
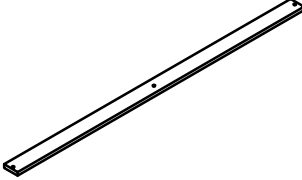
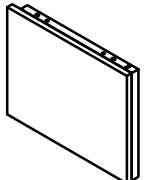
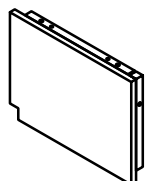
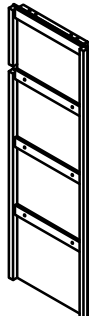

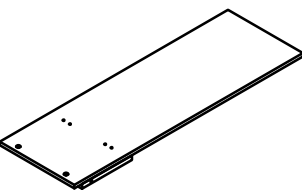
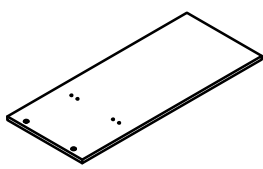
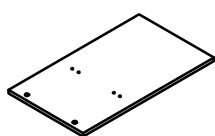
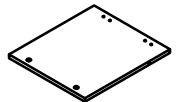
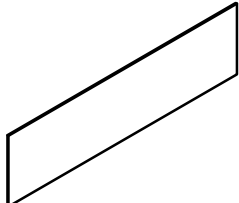
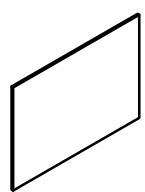
~~ Note : Do Not Fully Tighten Screws until Fully Assembled ~~

<p>1.1</p>  <p>Upper left leg (front ) 1pcs</p>	<p>1.2</p>  <p>Upper left leg (Back ) 1pcs</p>	<p>2.1</p>  <p>Upper Right leg (Front ) 1pcs</p>	<p>2.2</p>  <p>Upper Right leg (Back) 1pcs</p>
<p>3</p>  <p>Upper side Fame 1pc</p>	<p>4</p>  <p>Top horizontal bar on the left 1pc</p>	<p>5</p>  <p>Upper side panels right 1pcs</p>	<p>6</p>  <p>Horizontal bar on the top right 1pc</p>
<p>10.1</p>  <p>Below left legs (Front) 1 pcs</p>	<p>10.2</p>  <p>Below left legs (Back) 1 pcs</p>	<p>10.3</p>  <p>Below Right legs (Front) 1 pcs</p>	<p>10.4</p>  <p>Below Right legs (Back) 1 pcs</p>
<p>11</p>  <p>The top horizontal bar of the lower bed 2pcs</p>	<p>12.1</p>  <p>Below side panel(left) 1pcs</p>	<p>12.2</p>  <p>Below side panel(right) 1pcs</p>	<p>15</p>  <p>Center Legs 2pcs</p>
<p>16</p>  <p>Stair railing above 1pc</p>	<p>20</p>  <p>Stair railing above 1pc</p>	<p>29</p>  <p>Mid side panel 1pc</p>	<p>31</p>  <p>Stair railing below 1pc</p>

# PARS LIST (WF286858)

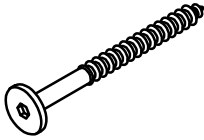
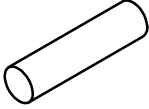
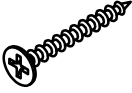



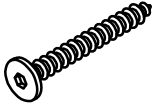
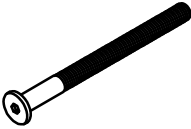

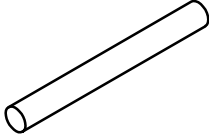





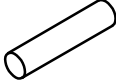

<p><b>7</b></p>  <p>Longguardrail (Back)-4pcs</p>	<p><b>7.1</b></p>  <p>Verticalguardrail-4pcs</p>	<p><b>9</b></p>  <p>Upper side rail (front and back) 2pcs</p>	<p><b>13</b></p>  <p>Lower side rails (front and back) 2pcs</p>
<p><b>32</b></p>  <p>Front Drawer 1pc</p>	<p><b>33</b></p>  <p>Side Drawer 1pc</p>	<p><b>34</b></p>  <p>Side Drawer 1pc</p>	<p><b>35</b></p>  <p>Bottom Drawer 2pc</p>
<p><b>36</b></p>  <p>Bottom Drawer 3pc</p>	<p><b>37</b></p>  <p>Back Drawer 1pc</p>	<p><b>38</b></p>  <p>Center Drawer 1pc</p>	<p><b>39</b></p>  <p>Center Drawer 1pc</p>

# PARS LIST (WF286859)

<p><b>8</b></p>  <p><b>Short Slats 14pcs</b></p>	<p><b>14</b></p>  <p><b>Mid Boards 2pcs</b></p>	<p><b>17</b></p>  <p><b>Long Slats 12pcs</b></p>	<p><b>18</b></p>  <p><b>Long Slats with mid hole 2pcs</b></p>
<p><b>19</b></p>  <p><b>Lower Board 1pc</b></p>	<p><b>21</b></p>  <p><b>Upper board 1pc</b></p>	<p><b>22</b></p>  <p><b>Back Fame 1pc</b></p>	<p><b>23</b></p>  <p><b>Foot support 1pc</b></p>
<p><b>24</b></p>  <p><b>Lower board 1pc</b></p>	<p><b>25</b></p>  <p><b>Lower mid board 1pc</b></p>	<p><b>26</b></p>  <p><b>Upper mid board 1pc</b></p>	<p><b>27</b></p>  <p><b>Upper board 1pc</b></p>
<p><b>28</b></p>  <p><b>Lower side panel 1pc</b></p>	<p><b>30</b></p>  <p><b>Upper side panel 1pc</b></p>		

# HARDWARE & ILLUSTRATION

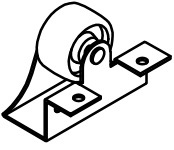
~~ Note : Do Not Fully Tighten Screws until Fully Assembled ~~

<p><b>A</b></p>  <p>Ø1/4" x 100 mm Hexagonal bolts catch wood 16pcs</p>	<p><b>B</b></p>  <p>Wood dowel Ø10 x 40 mm 42pcs</p>	<p><b>C</b></p>  <p>Ø8 x 30 mm Wood Screws 93pcs</p>	<p><b>D</b></p>  <p>Ø1/4" x 50 mm Hexagonal bolts catch wood 2pcs</p>
<p><b>E</b></p>  <p>Ø1/4" x 25 mm Hex-Head bolts 36pcs</p>	<p><b>F</b></p>  <p>M6x18 mm Canopy head through (14pcs)</p>	<p><b>G</b></p>  <p>Ø1/4" x 60 mm Hexagonal bolts catch wood 4pcs</p>	<p><b>H</b></p>  <p>Ø1/4" x 80 mm Hex-Head bolts 24pcs</p>
<p><b>S</b></p>  <p>Ø1/6" x 25 mm 3pcs</p>	<p><b>J</b></p>  <p>Ø12 x 110 mm Wood dowel 4pcs</p>	<p><b>L</b></p>  <p>Ø6 x 15 mm Wood Screws 38pcs</p>	<p><b>M</b></p>  <p>Ø1/4" x 50 mm Hexagonal bolts catch wood 2pcs</p>
<p><b>N</b></p>  <p>Ø1/4" x 35 mm Hex-Head bolts 13pcs</p>	<p><b>P</b></p>  <p>Allen Key 1pc</p>	<p><b>Q</b></p>  <p>Ø1/4" x 13 mm Horizontal-Hole bolts 24pcs</p>	<p><b>U</b></p>  <p>Ø8 x 25 mm Wood dowel 22pcs</p>
<p><b>R</b></p>  <p>Wood Handle 3pcs</p>			

# HARDWARE & ILLUSTRATION

~~ Note : Do Not Fully Tighten Screws until Fully Assembled ~~

V



Wheels 4pcs

Y

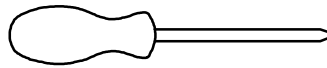


M3.5 x 12 mm  
Wood Screws 12pcs

O



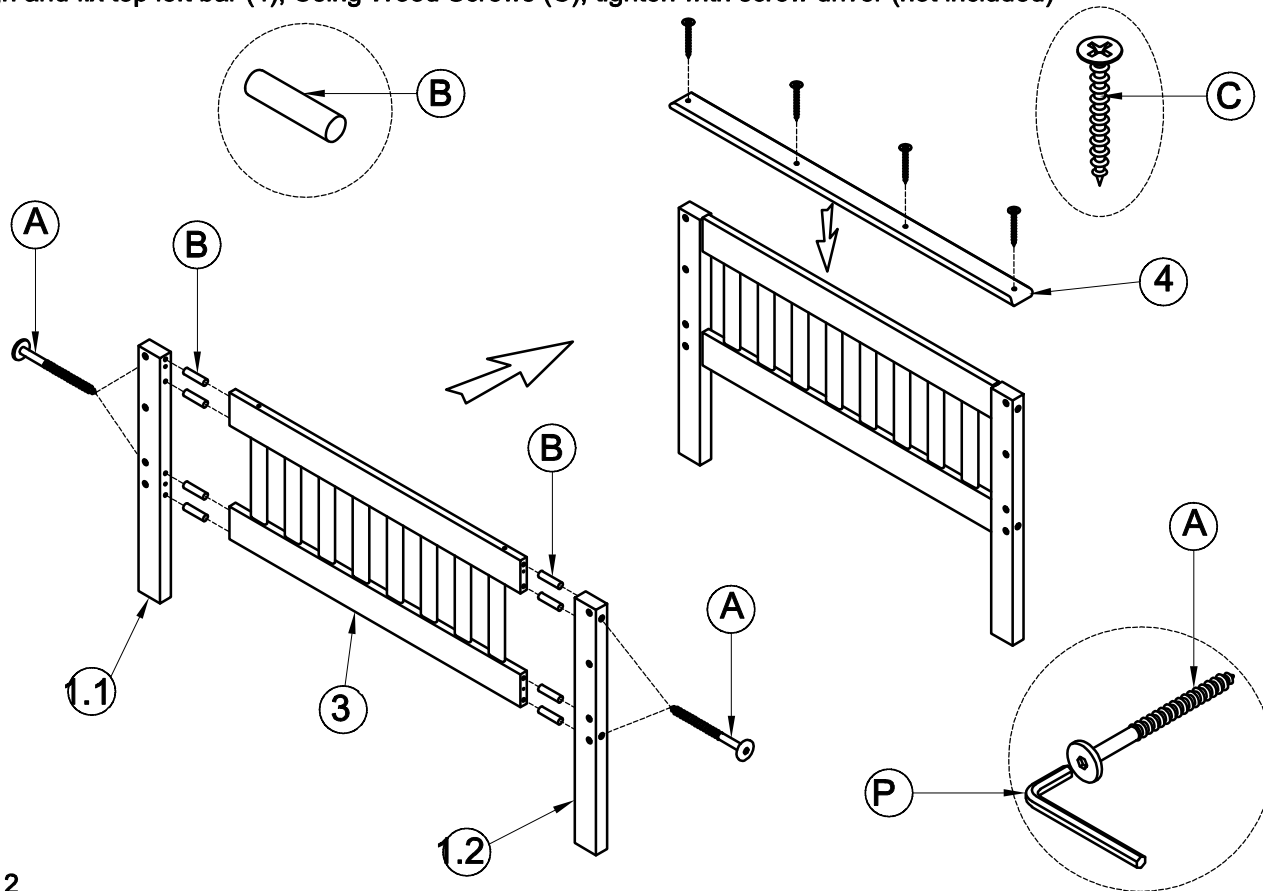
Rail - 2pcs



Assembly Tools Required (Not Included)

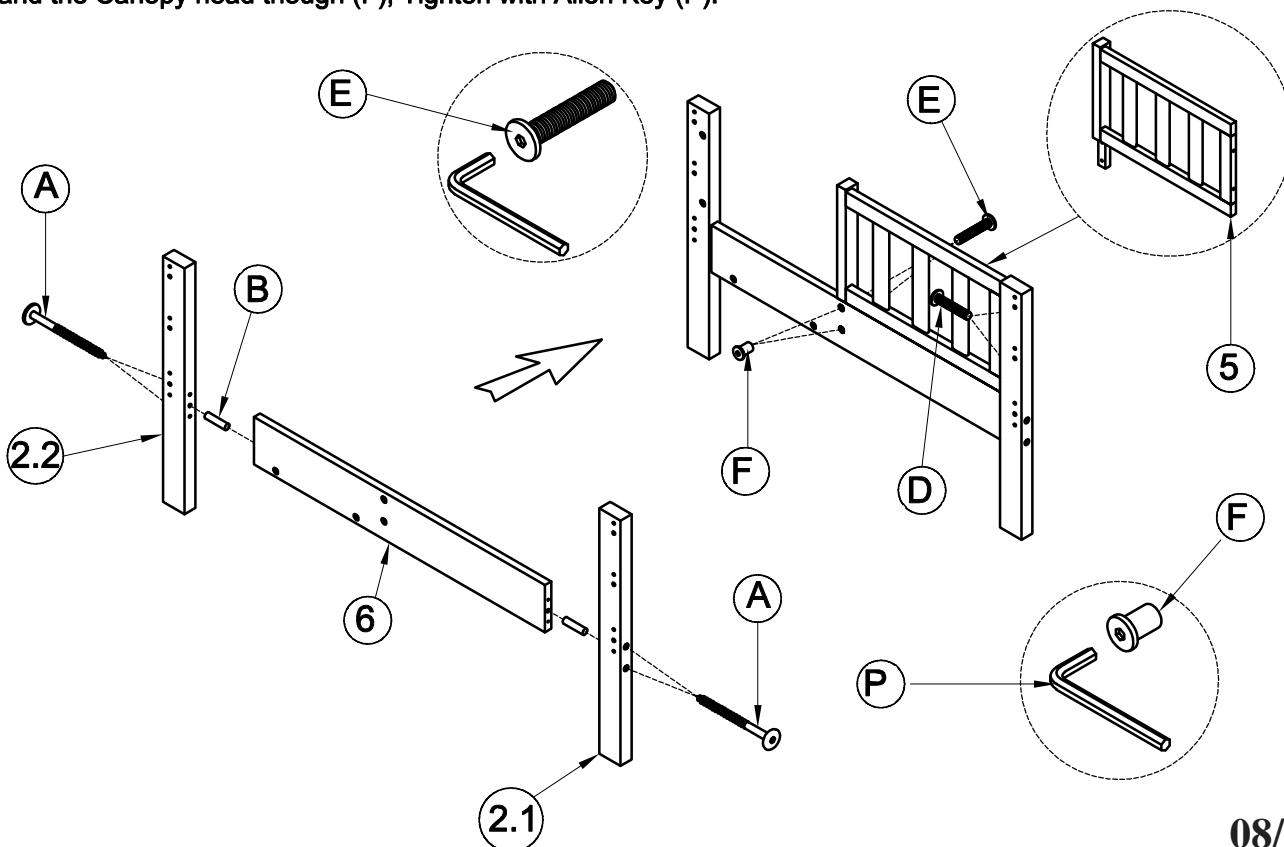
### STEP 1

1. Align and fix the Upper left leg (1.1&1.2), and the Upper side frame (3), using the Hexagonal bolts catch wood (A), and the Wood dowel (B), Tighten with Allen Key (P).
2. Align and fix top left bar (4), Using Wood Screws (C), tighten with screw driver (not included)



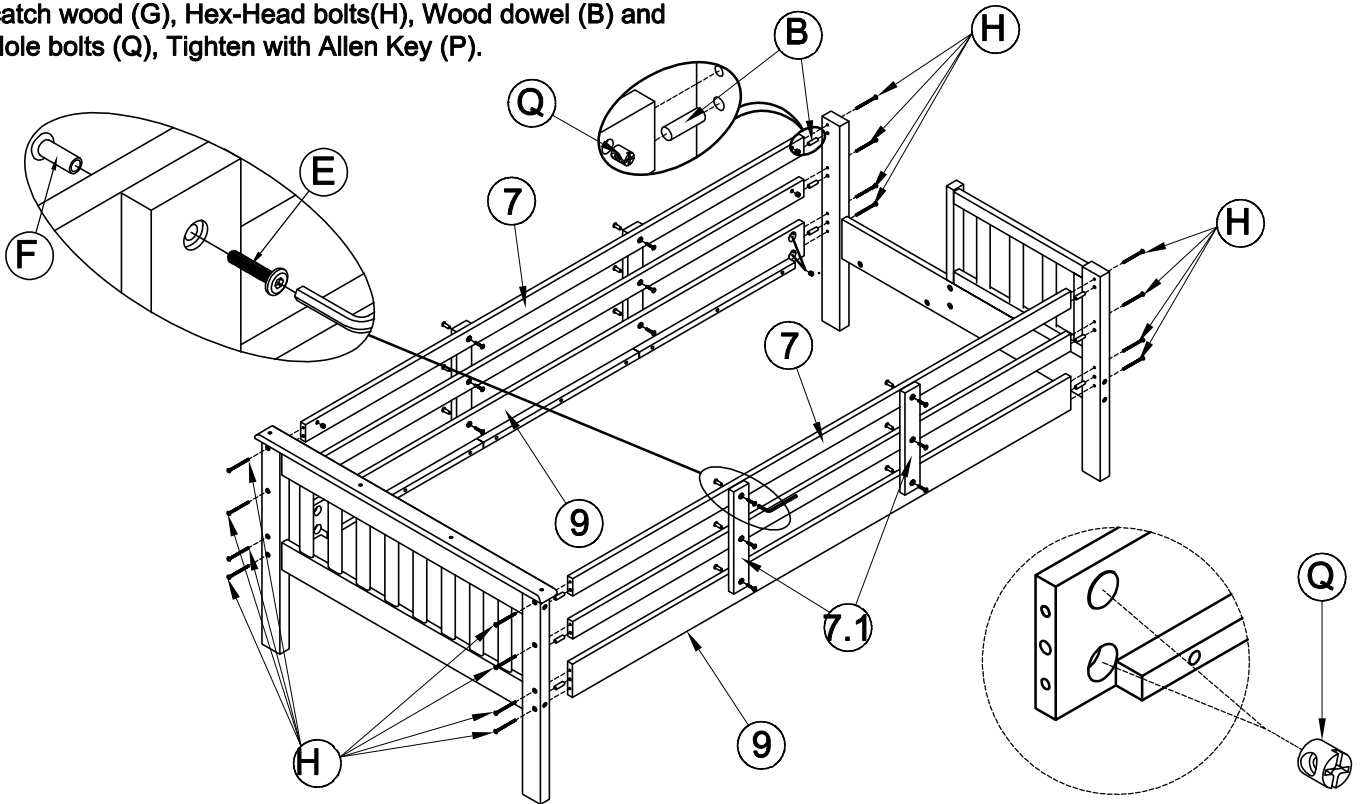
### STEP 2

1. Align and fix the Upper right leg (2.1&2.2), and the Horizontal bar on the top right (6), using the Hexagonal bolts catch wood (A), the Wood dowel (B), Tighten with Allen Key (P).
2. Align and fix the Upper side panels right (5), using the Hexagonal bolts catch wood (D), the Hex-Head bolts (E) and the Canopy head though (F), Tighten with Allen Key (P).



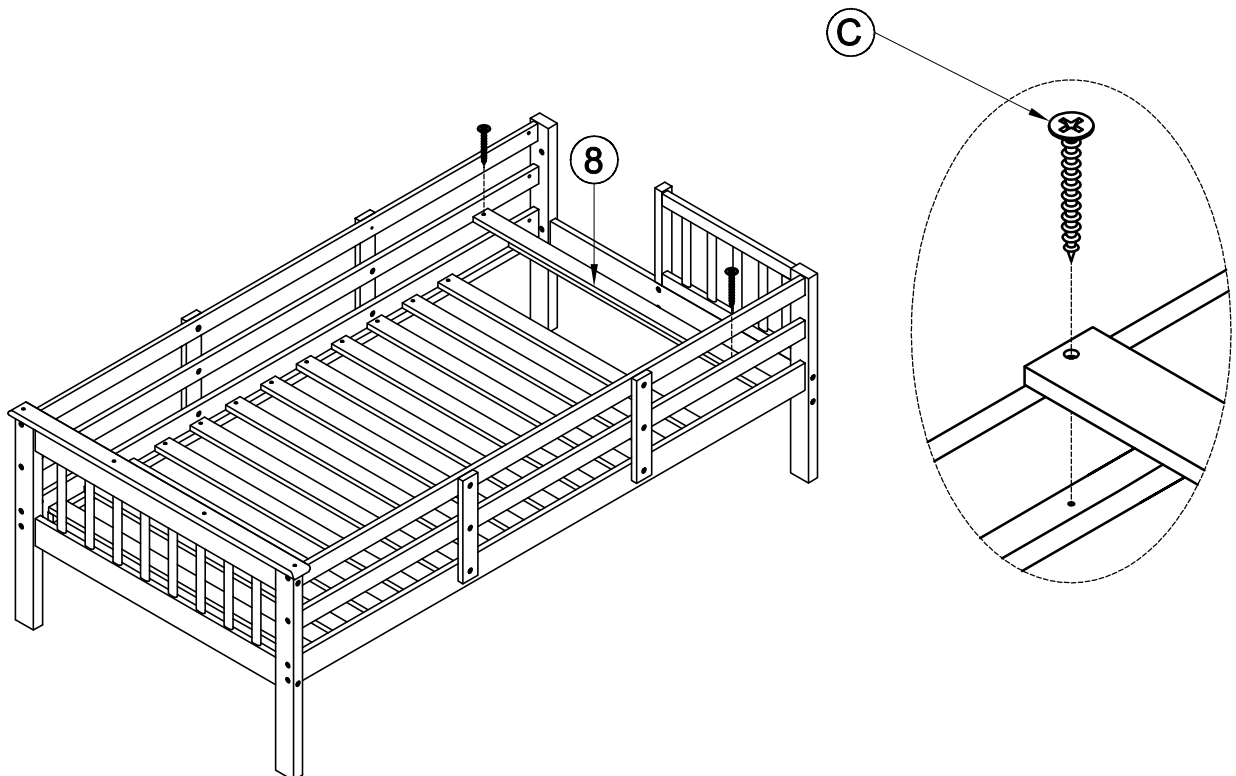
### STEP 3

Align and fix the support frames (7) and the Upper side rail (9), with the right and left side of the headboard, using Hexagonal bolts catch wood (G), Hex-Head bolts(H), Wood dowel (B) and Hole bolts (Q), Tighten with Allen Key (P).



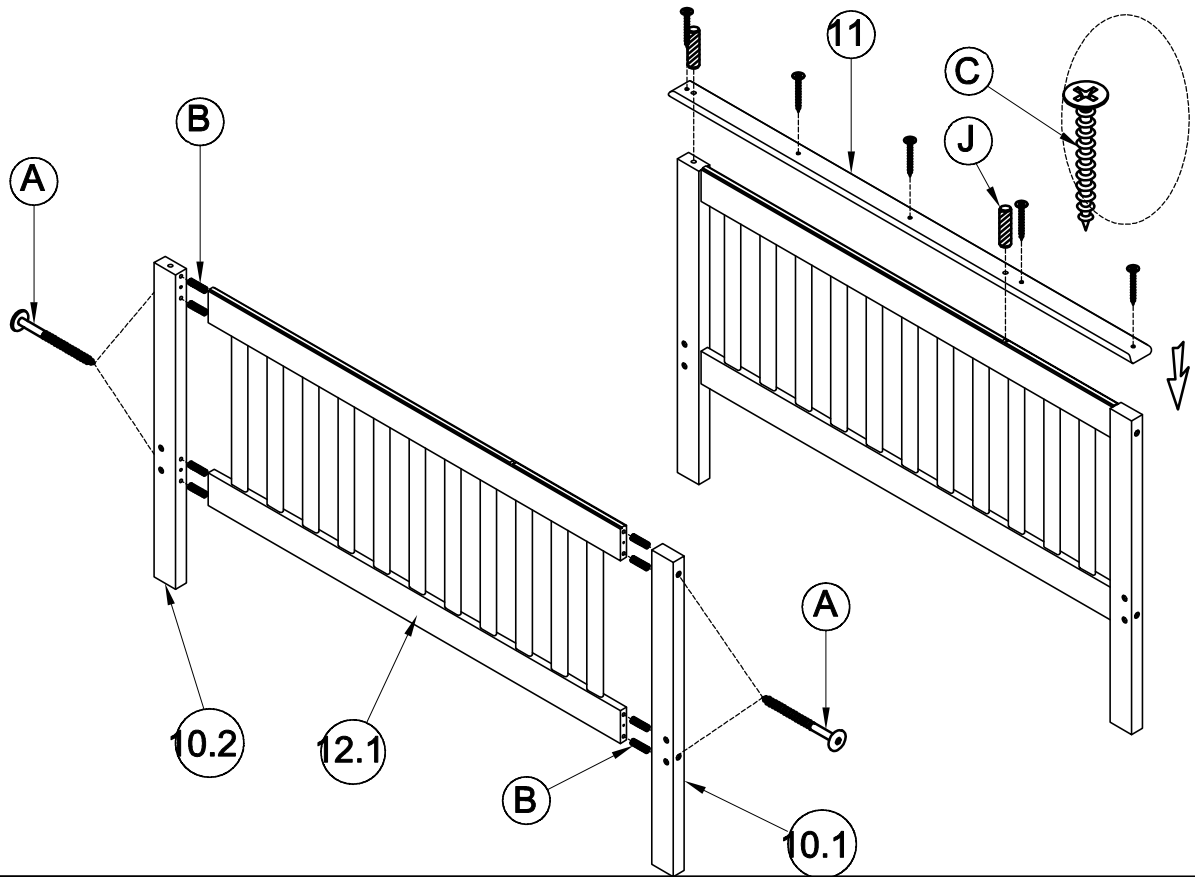
### STEP 4

1. Align and fix the Slats (8), Using Wood Screws (C), tighten with screw driver (not included)



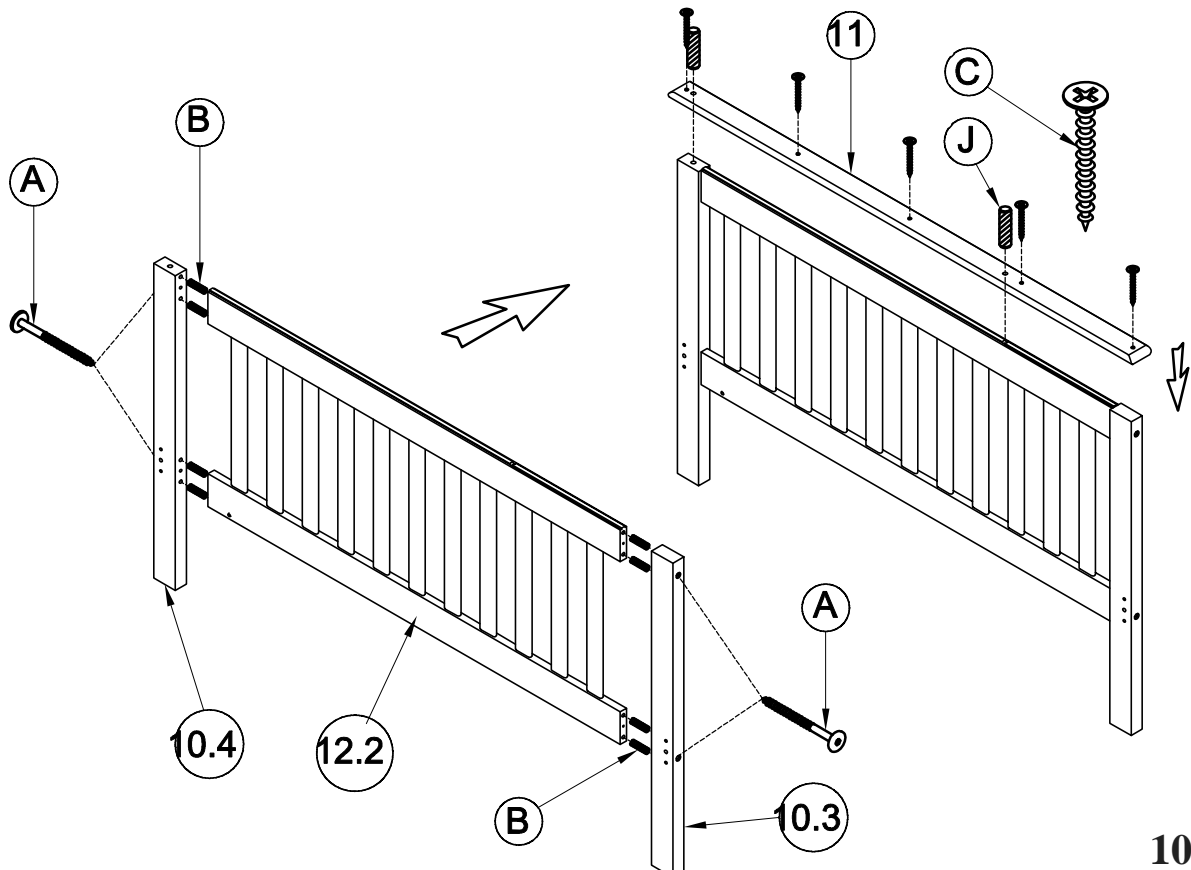
**STEP 5-1**

1. Align and fix the Below left legs (10.1&10.2), and the Below side panels (12.1), using the Hexagonal bolts catch wood (A), and the Wood dowel (B), Tighten with Allen Key (P).
2. Align and fix Guard rails (11), Using Wood Screws (C), tighten with screw driver (not included)



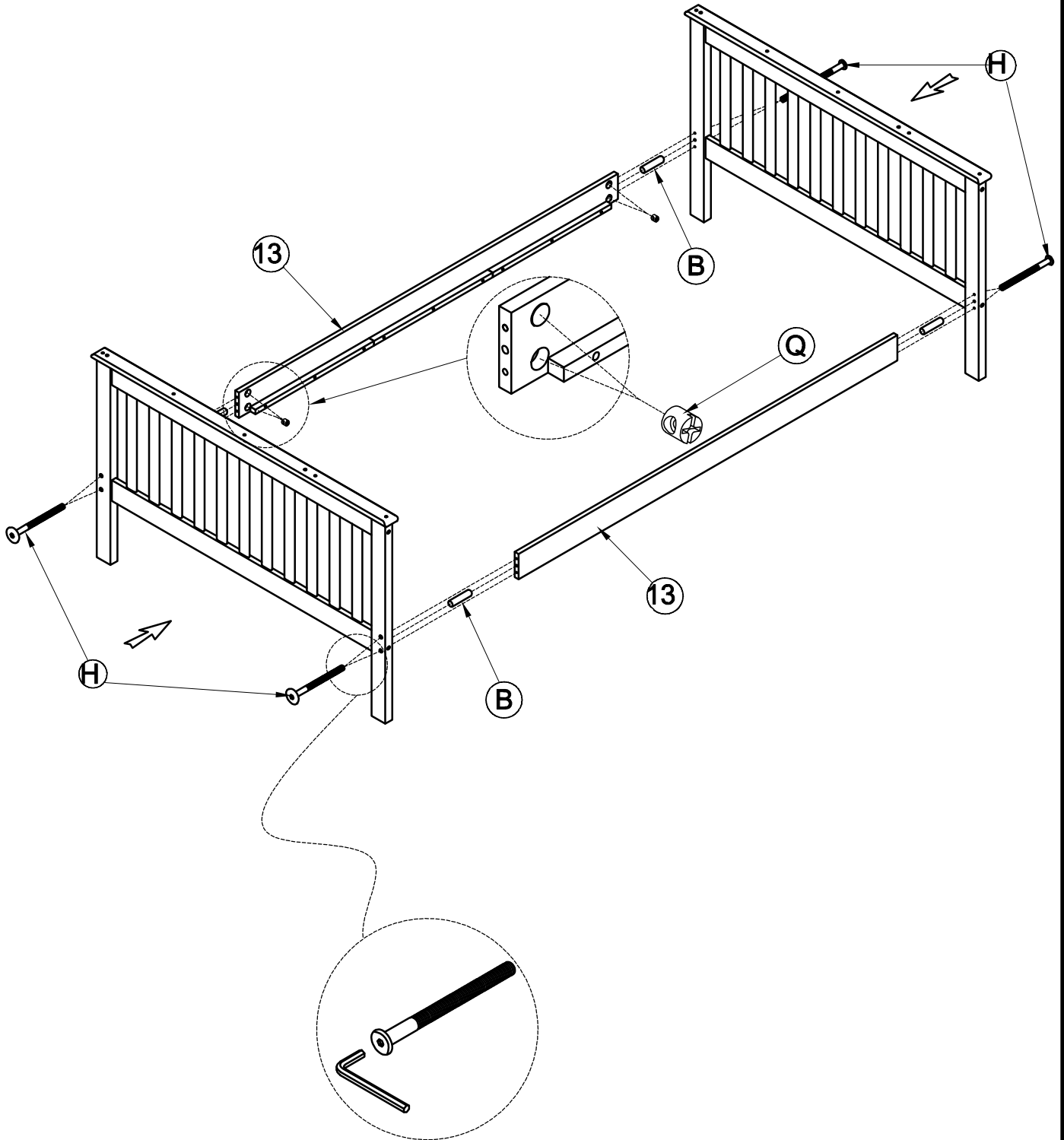
**STEP 5-2**

1. Align and fix the Below left legs (10.3&10.4), and the Below side panels (12.2), using the Hexagonal bolts catch wood (A), and the Wood dowel (B), Tighten with Allen Key (P).
2. Align and fix Guard rails (11), Using Wood Screws (C), tighten with screw driver (not included)



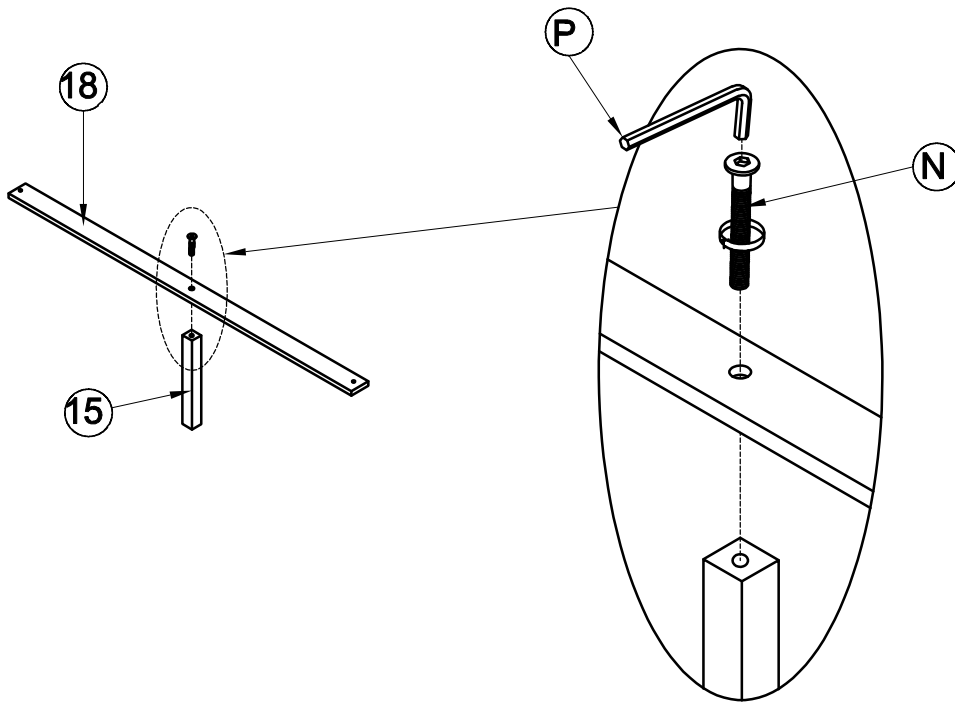
**STEP 6**

Align and fix the Lower side rails (13), with the right and left side of the headboard, using Hex-Head bolts (H), Wood dowel (B) and Hole bolts (Q), , Tighten with Allen Key (P).



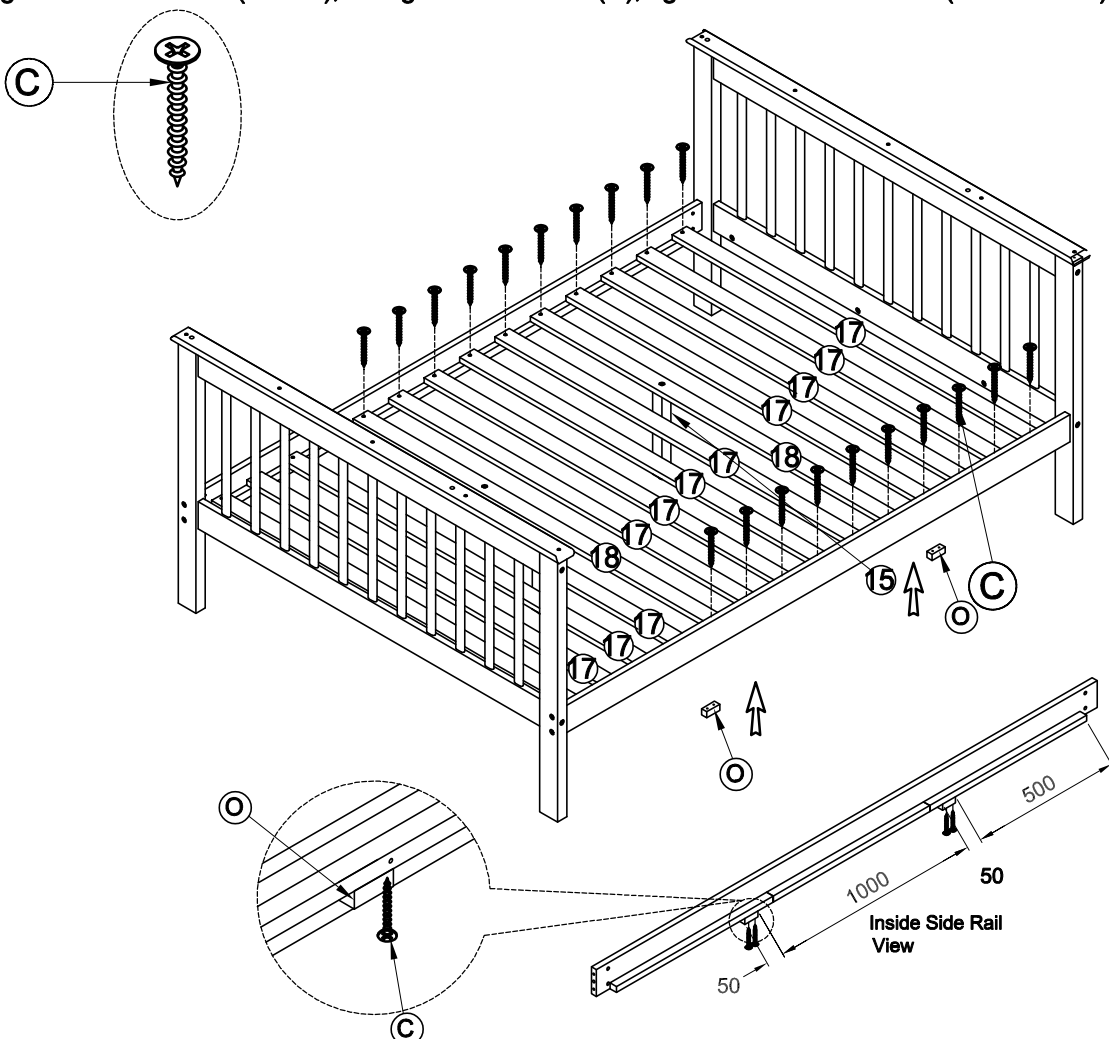
**STEP 7**

1. Align and fix the center legs (15), and the slats (18), Hex-Head bolts (E), tighten with Allen key(O).



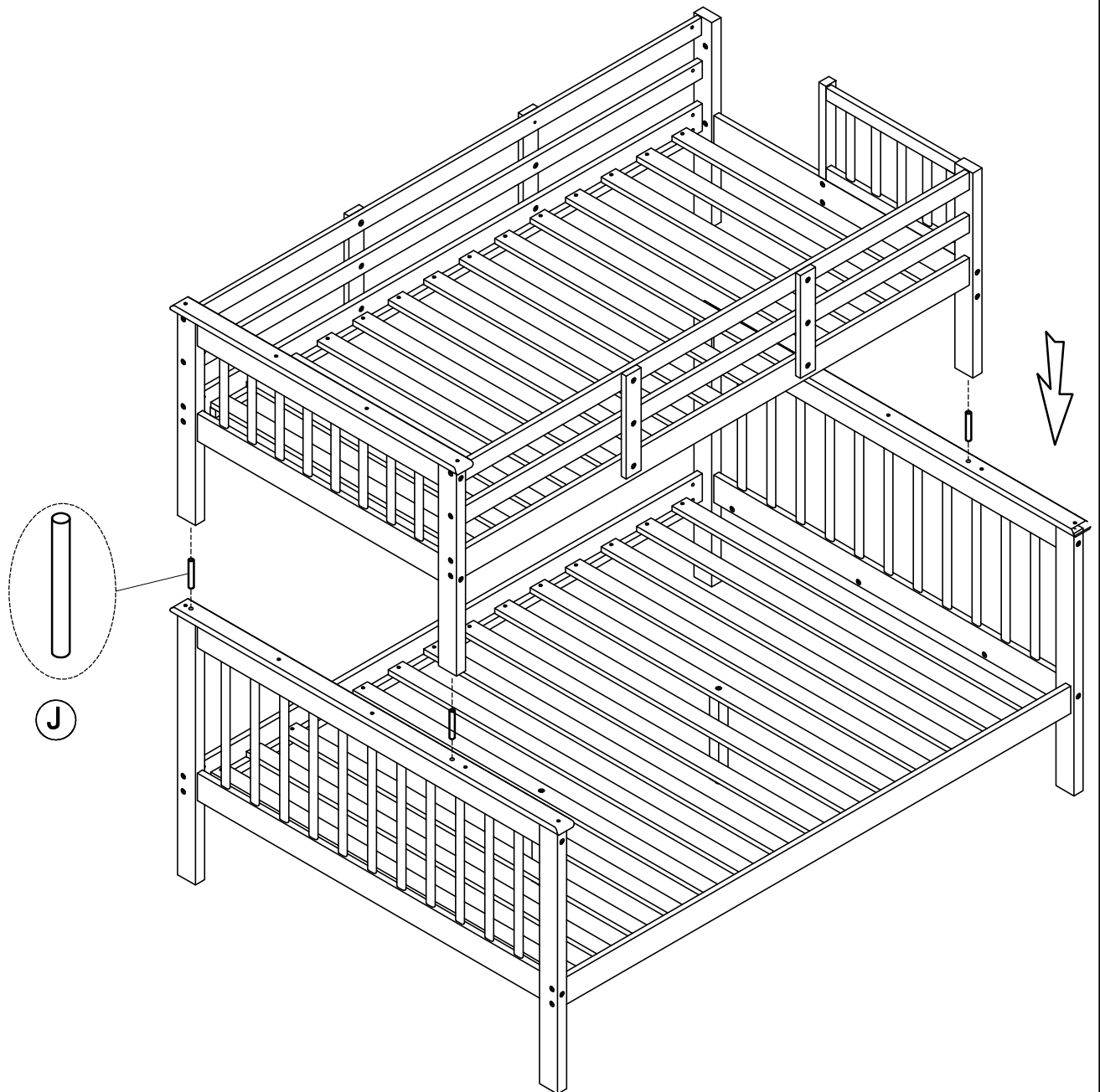
**STEP 8**

Align and fix the Slats (17&18), Using Wood Screws (C), tighten with screw driver (not included)



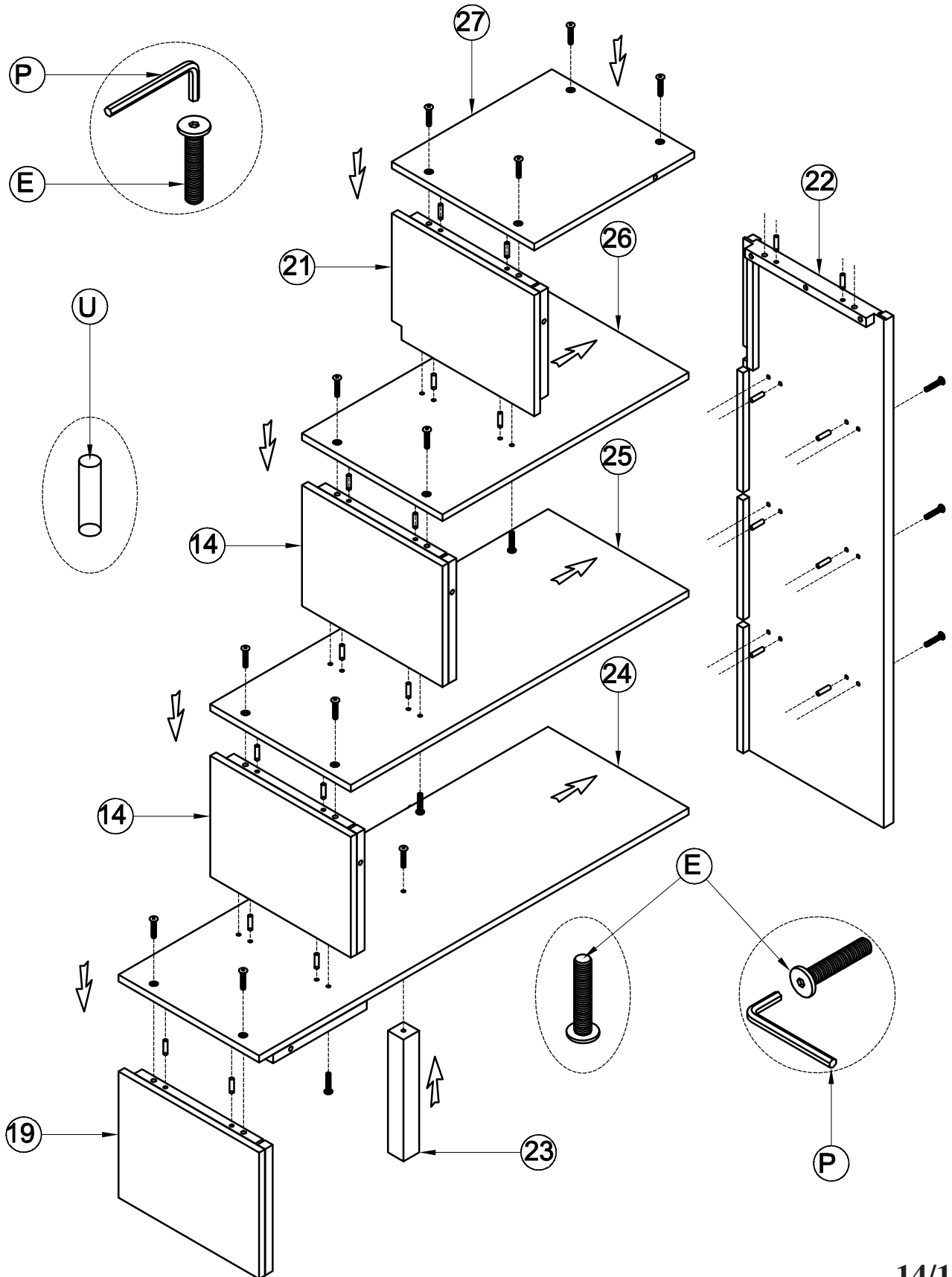
**STEP 9**

Align Stack upper bunk bed onto lower bunk bed, using Wood dowel (J).



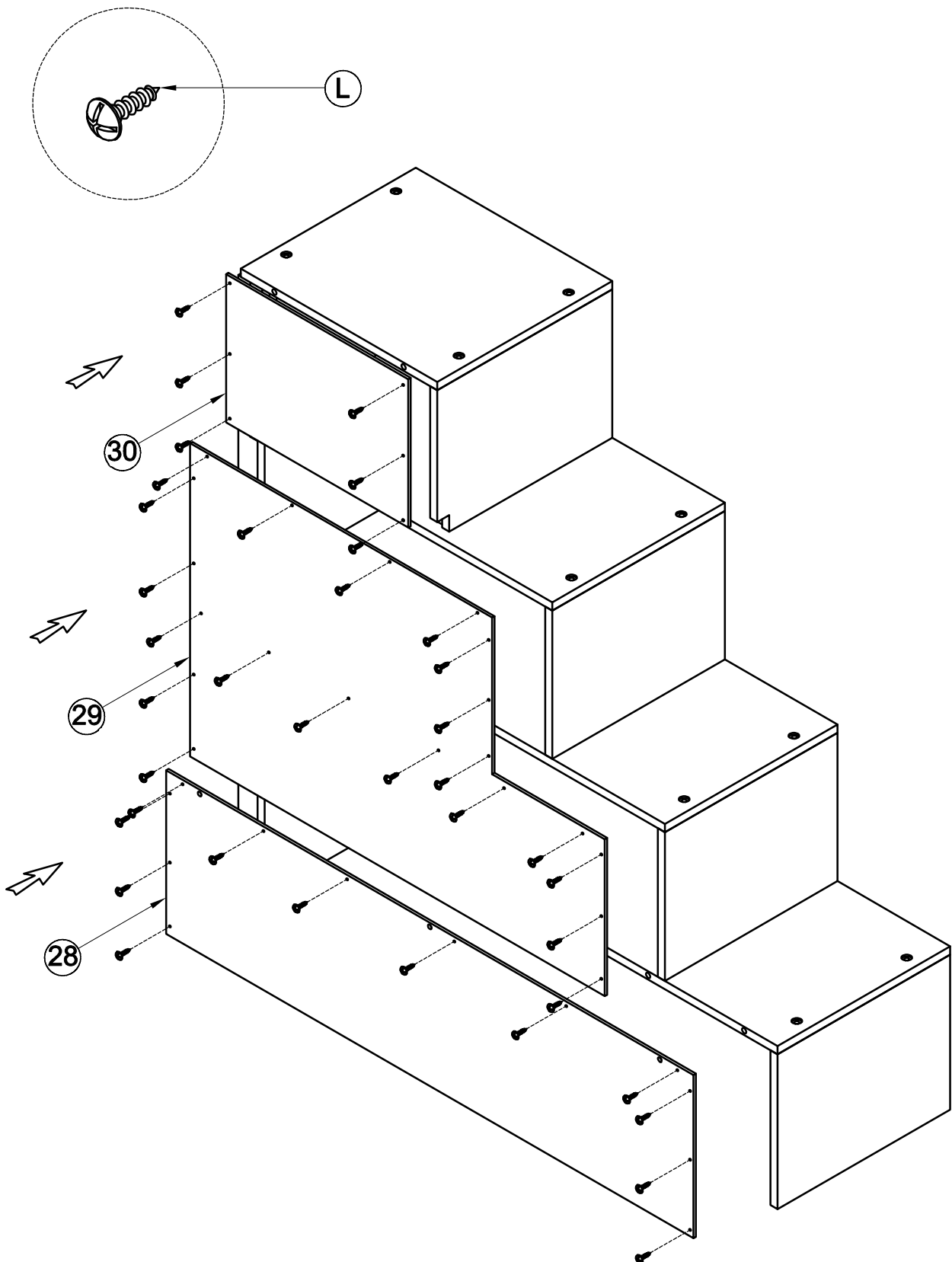
### STEP 10

- 1, Align and fix the Board standing below (19), with the Horizontal board below (24), and the Back panel (22).
  - 2, Align and fix the Board standing between (14), with the Horizontal board between (25), and the Back panel (22).
  - 3, Align and fix the Board standing between (14), with the Horizontal board between (26), and the Back panel (22).
  - 4, Align and fix the The board is in the above (21), with the Horizontal board above (25), and the Back panel (22).
- => Using Hex-Head bolts (K), and Wood dowel (L) tighten with Allen Key (P).



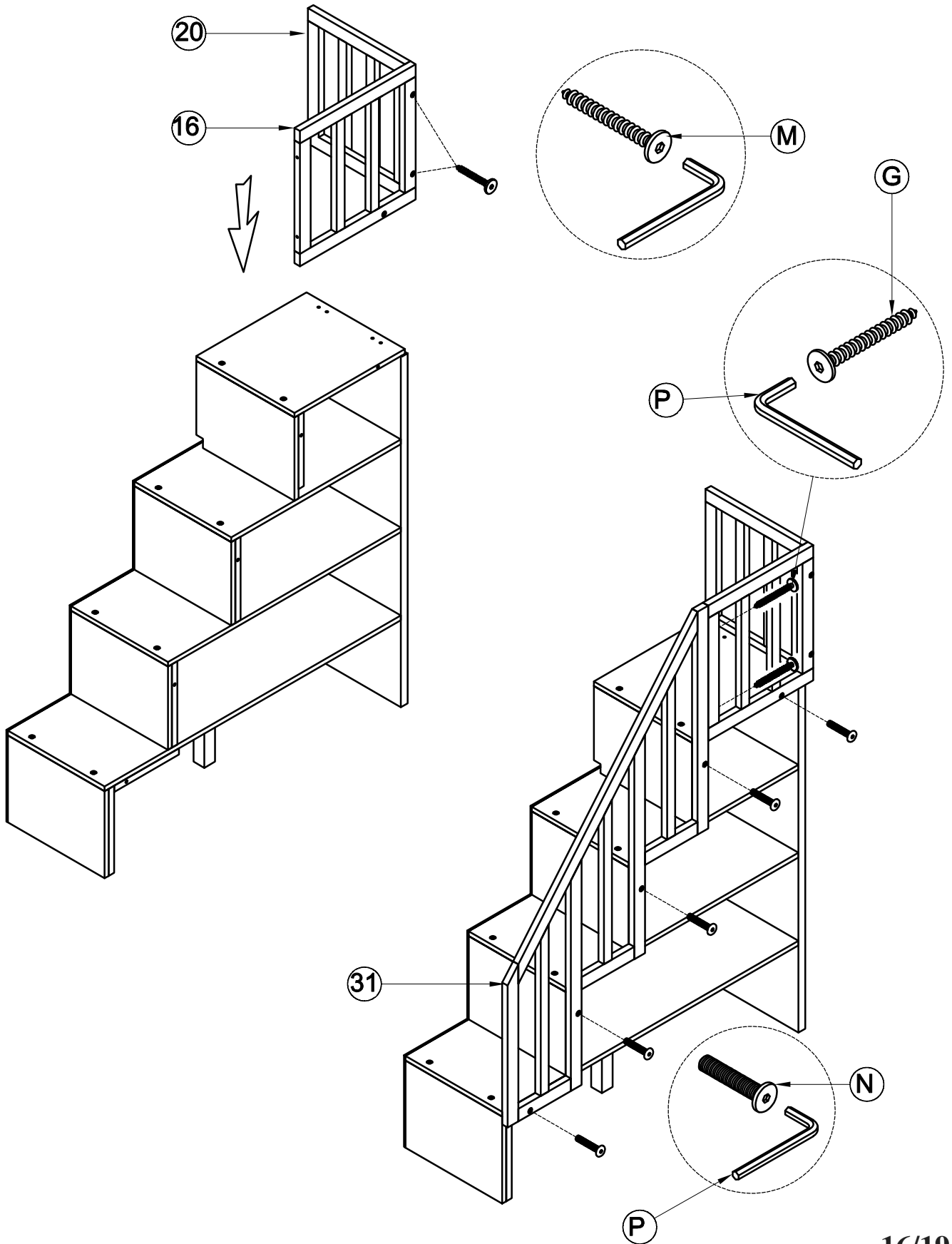
**STEP 11**

Align and fix the Bottom side panel (28), Between side panel (29), Above side panel (30), Using Wood Screws (M), tighten with screw driver (not included)



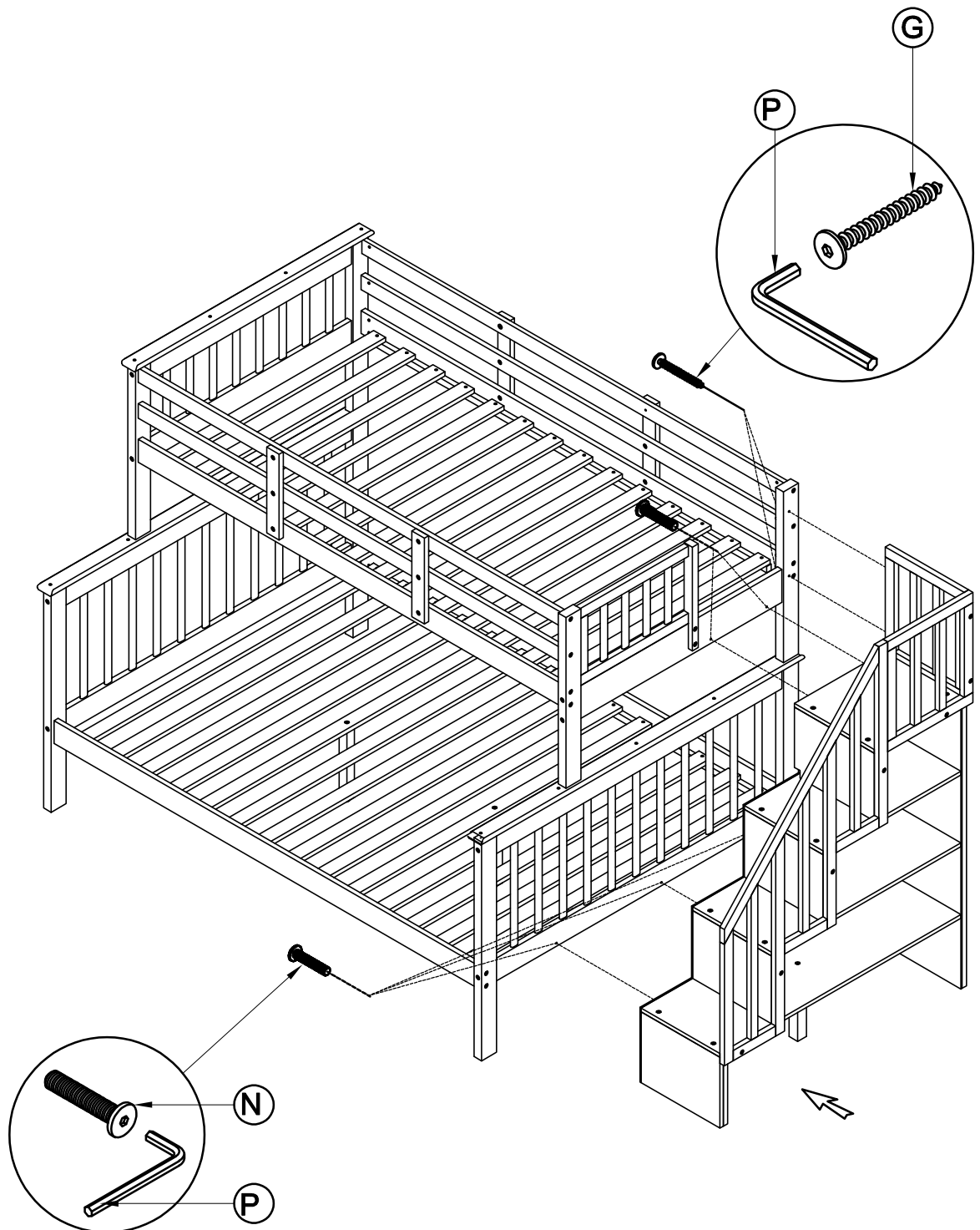
**STEP 12**

Align and fix the Stair railing above (16), With the Stair railing above (20) and Stair railing below (31), Using bolts catch wood (N), (G) and Hex-Head bolts (N), tighten with Allen Key (P).

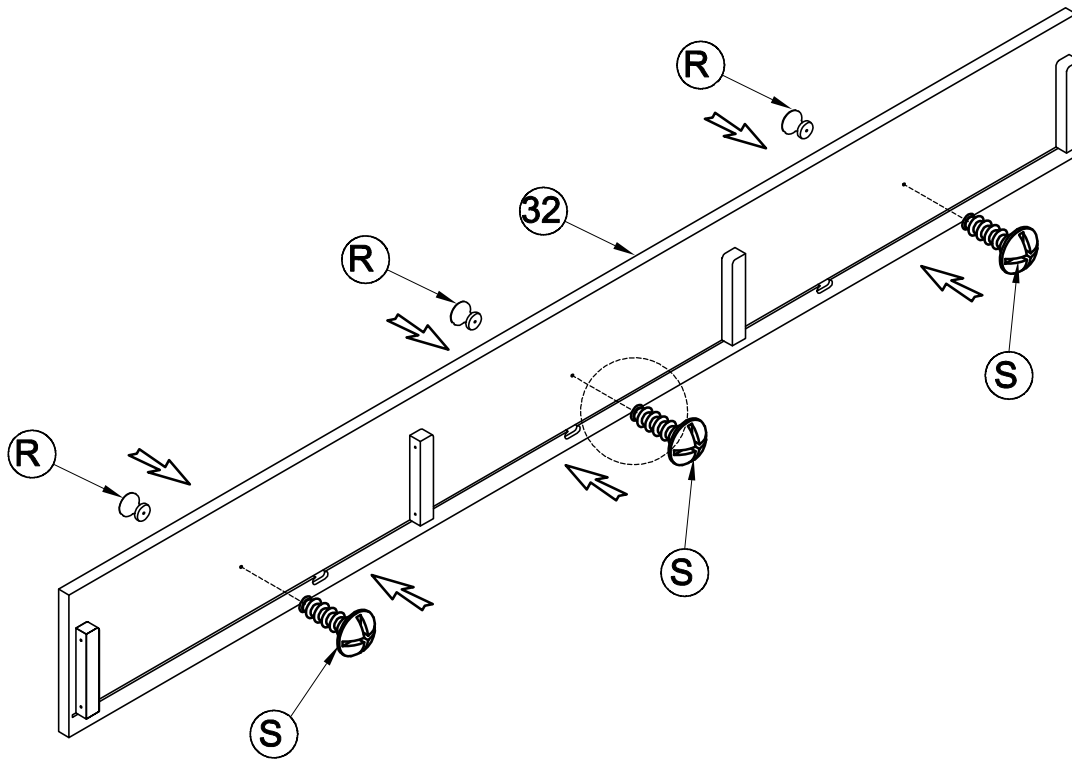


**STEP 13**

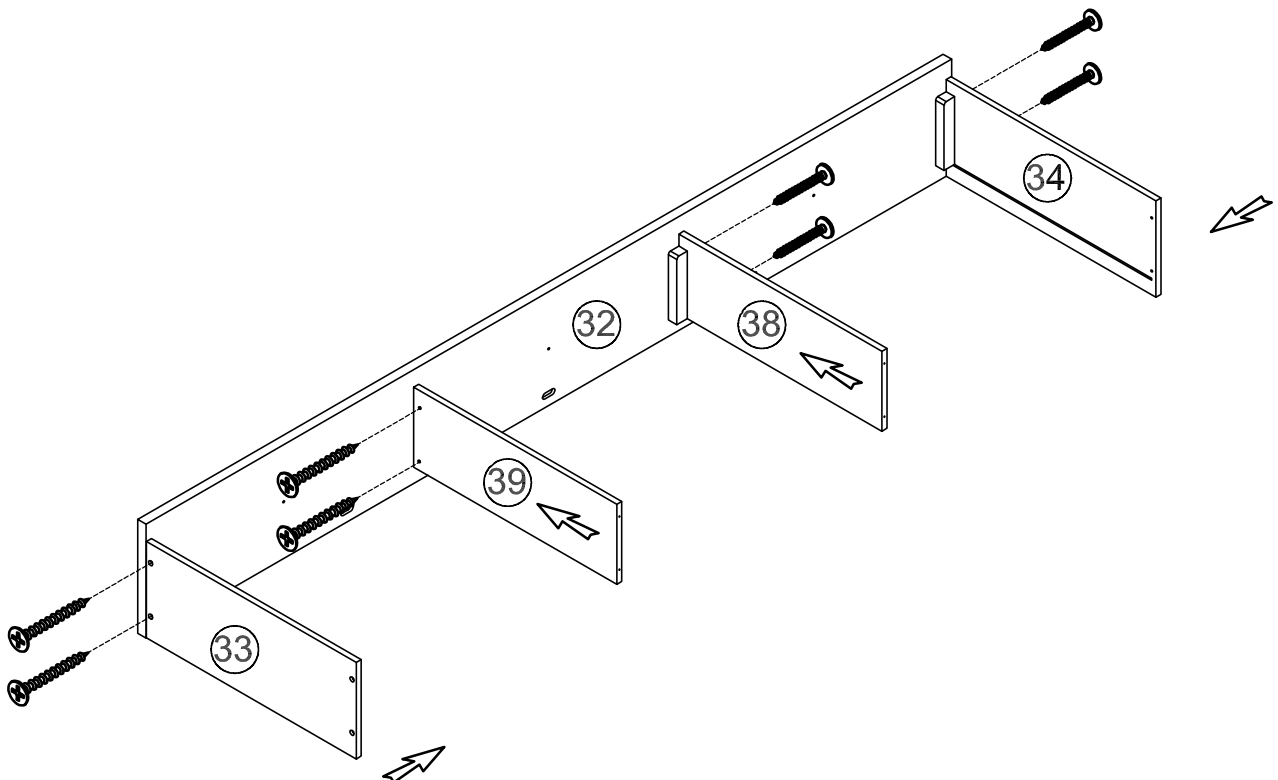
Align and fix the stairs and the bunk beds, Using Hex-Head bolts (N), tighten with Allen Key (P).



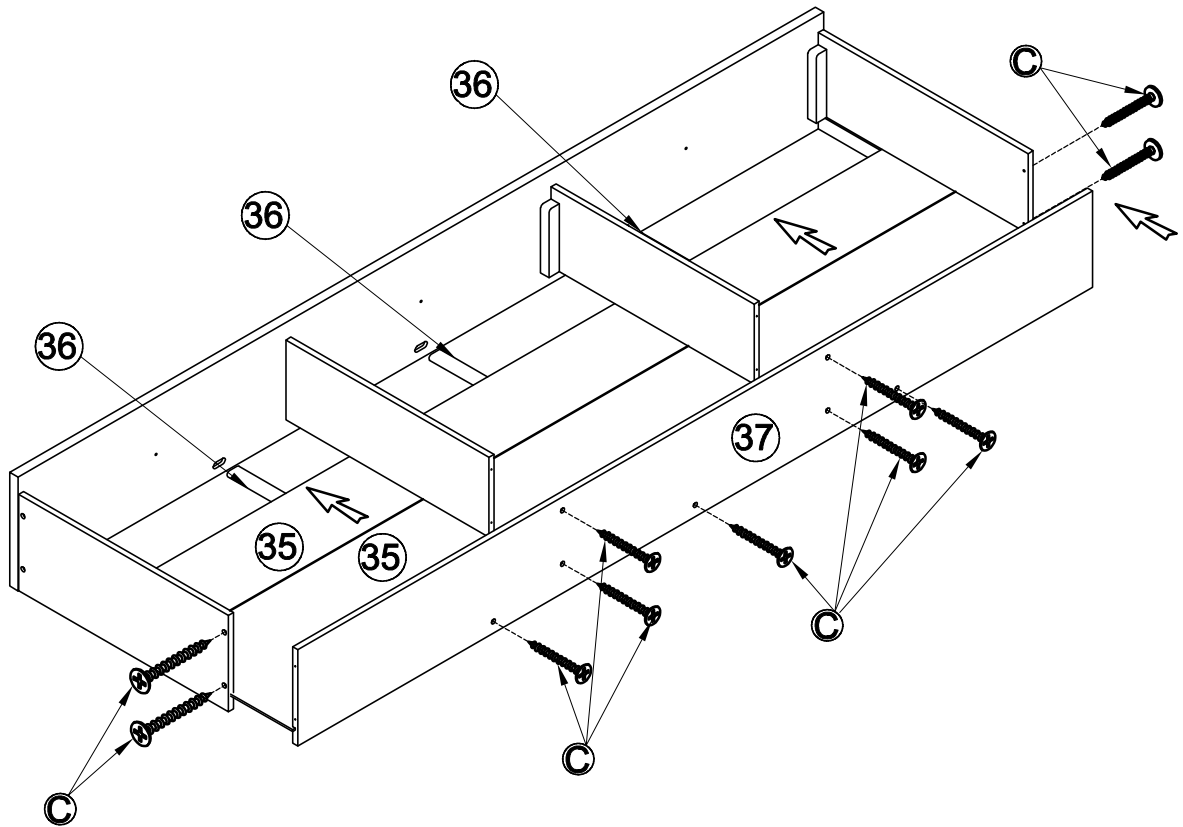
STEP 14-1: Assembly Wood Handle With Front Drawer(Use R,S,P)



STEP 14-2: Assembly Center Drawer(38&39) and Side Drawer(33&34) with Front Drawer(32) Use 8 Screw(C)



STEP 14-3:Used 11 Screw(C)



STEP 14-4:Assembly  
Wheels (Use 12 Screw(Y))

