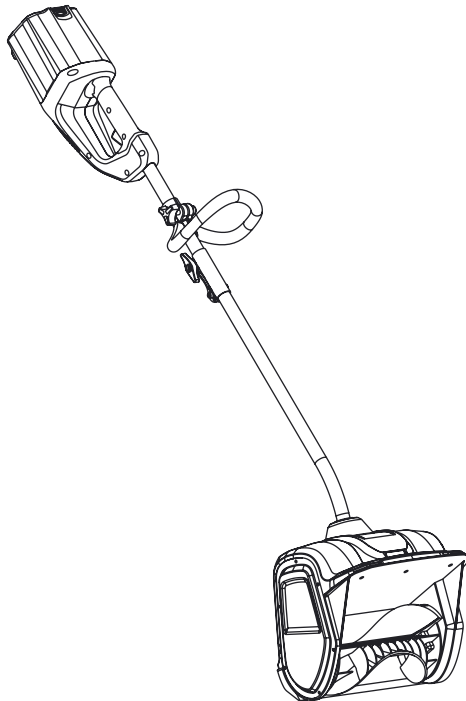

greenworks **pro**[®]

80V Cordless Snow Shovel
2601202 (GLSS80000)



Owner's Manual

TOLL-FREE HELPLINE: 1(855)345-3934

www.GreenWorksTools.com

⚠ Read all safety rules and instructions carefully before operating this tool.

CONTENTS

| | |
|---|----|
| Contents | 2 |
| Product Specifications | 2 |
| Safety Information | 3 |
| Symbols | 6 |
| Know Your Snow Shovel | 8 |
| Assembly | 9 |
| Operation | 13 |
| Maintenance | 15 |
| Environmentally safe battery disposal | 19 |
| Troubleshooting | 20 |
| Warranty | 21 |
| Exploded View/Parts List | 22 |

PRODUCT SPECIFICATIONS

12" 80V CORDLESS SNOW SHOVEL

| | |
|----------------------------|----------------------|
| Motor | 80 V Brushless Motor |
| Battery Type..... | 80 V Lithium-ion |
| No-load Speed..... | 1800 RPM |
| Clearing Width..... | 12 in. (30 cm) |
| Clearing Depth..... | 6 in. (15.2 cm) |
| Impeller Size..... | 11 in. (27.8 cm) |
| Discharge Distance..... | 20 ft. (6 m) |
| Weight (with battery)..... | 19.2 lbs (8.7 kg) |

Cold Weather Operation: Lithium Ion batteries can be safely used from temperatures ranging from -17 degrees to 45 degrees Celsius. NOTE: Do not store or charge battery outside. Battery must be charged and stored indoors prior to use of the snow shovel.

Battery may not properly start if its temperatures is -17°C or lower. If unit does not start remove battery from snow shovel. Place battery on charger and allow to charge for 10 minutes to allow battery to warm. Remove from charger and install in snow shovel for use.

SAFETY INFORMATION

FOLLOW THESE RULES WHILE OPERATING (THE POWER TOOL)

⚠ WARNING

READ AND UNDERSTAND ALL INSTRUCTIONS. Failure to follow all instructions listed below may result in electric shock, fire, and/or serious personal injury.

- Walk. Do not run.
 - Verify that the power tool is not in contact with anything before turning it on.
 - Stay away from impeller openings at all times. Keep face, hands, and feet away from concealed, moving, or rotating parts.
 - Be attentive when using the power tool, and stay alert for holes in the terrain and other hidden hazards or traffic.
 - Move up and down slopes when clearing snow. Do not go across a slope. Use caution when changing direction. Do not use this power tool to clear snow from steep slopes.
 - Do not operate the power tool if the guards, plates, and other safety protective devices are not in place.
 - Do not operate the power tool near glass enclosures, automobiles, trucks, window wells, drop-offs, etc. without properly adjusting the angle of the snow discharge. Keep children and pets away from the work area.
 - Do not operate the power tool at high speeds on slippery surfaces. Look behind when backing up and exercise caution.
 - Wear safety glasses or goggles that meet ANSI Z87.1 standards.
 - Use the power tool in daylight or in good artificial light. If using at night, turn on the LED lights and be aware of your surroundings.
 - To avoid accidental start-ups, remain in the starting position when turning the power tool on. The operator and the power tool must be in a stable position during start-up. See the section titled Starting/Stopping Instructions.
 - Use this power tool only for the purposes it was designed.
 - Hold the power tool with both hands while it is in use. Keep a firm grip on the handles.
 - If the impeller does not rotate freely due to ice, thaw the power tool thoroughly before attempting to use it.
 - Keep the impeller clear of debris.
 - Do not attempt to clear the impeller while the motor is running.
 - After striking a foreign object, turn the power tool off and remove the battery pack, and then inspect it for damage. Repair any damage before restarting and using the power tool.
 - If the power tool starts to vibrate abnormally, stop the power tool immediately and attempt to determine the cause. Vibration is generally an indication of danger.
 - Stop the motor and remove the battery pack whenever the operator is not in the operating position, before unclogging the impeller, and before making any repairs, adjustments, or inspections.
 - Do not use on graveled surface unless the power tool is adjusted for such a surface in accordance with the operator's manual.
-

SAFETY INFORMATION

- Keep Children Away– All visitors should be kept a safe distance from work area.
- Dress Properly – Do not wear loose clothing or jewelry. They can be caught in moving parts.
- Wear rubber boots when operating the power tool. Do not operate the equipment when barefoot or wearing open sandals. Always wear substantial footwear.
- Operation of the power tool in the hand-held position is unsafe, except in accordance with the special instructions for such use provided in the operator's manual.
- Keep guards in place and in working order.
- Don't Force Power tool – It will perform better and safer at the rate for which it was designed.
- Don't Overreach – Keep proper footing and balance at all times.
- If the power tool strikes a foreign object, follow these steps:
 - i) Stop the power tool.
 - ii) Inspect for damage.
 - iii) Repair any damage before restarting and operating the power tool.
- Store Idle Power tool Indoors – When not in use, power tools should be stored indoors in dry, locked-up place – out of reach of children.
- Maintain Power tools With Care – Follow instructions for lubricating and changing accessories.
- Allow the power tool to run for a few minutes after clearing snow in order to prevent moving parts from freezing.
- Only use identical replacement parts and accessories for this power tool. The use of nonidentical parts or accessories could lead to serious injury to the user or damage the power tool, and will void the warranty.
- Do not pick up the power tool while it is running. The power tool is designed to travel along the ground.
- Never allow children to operate a power tool. Keep the area of operation clear of all persons, particularly small children, and pets.
- Thoroughly inspect the area where the equipment is to be used and remove all stones, sticks, wires, bones, and other foreign objects.
- Stop the blade(s) when crossing gravel driveways, walkways, or roads.
- Read the operator's manual carefully. Be thoroughly familiar with the controls and the proper use of the equipment.

SAFETY INFORMATION

GENERAL SAFETY RULES

- Verify that the power tool is secure while transporting.
- Store the power tool in a dry area that will prevent unauthorized use or damage. Keep out of the reach of children.
- Keep handles dry, clean, and free of debris. Clean the power tool after each use. Refer to the Maintenance Section in this manual for more information.
- If the labels on the power tool become defaced or start to lift off, contact the toll-free helpline, at 1(855)345-3934.
- Keep these instructions in a safe place for future reference. Refer to them often and use them to instruct other users. Anyone who uses this power tool must read these instructions carefully.
- Maintain the power tool with care. Follow the instructions for lubricating and changing accessories.

▲ C A U T I O N

USE ONLY GREENWORKS APPROVED REPLACEMENT BATTERIES, OTHER BATTERIES MAY CAUSE INJURY OR DAMAGE TO THE SNOW SHOVEL. USE ONLY WITH GREENWORKS 80V BATTERY (Model#: 2901302 and other BAB series) and GREENWORKS 80V CHARGER (Model#: 2901402 and other CAB series).

▲ W A R N I N G (P R O P O S I T I O N 6 5)

This product contains a chemical known to the state of California to cause cancer, birth defects or other reproductive harm.

Some dust created by power sanding, sawing, grinding, drilling and other construction activities contains chemicals known to cause cancer, birth defects or other reproductive harm. Some examples of these chemicals are:













- Lead from lead-based paints,
- Crystalline silica from bricks and cement and other masonry products, and
- Arsenic and chromium from chemically-treated lumber.

Your risk of exposure to these chemicals varies depending on how often you do this type of work. To reduce your exposure to these chemicals, work in a well-ventilated area, and work with approved safety equipment, such as dust masks that are specially designed to filter out microscopic particles.

SAVE THESE INSTRUCTIONS




SYMBOLS

Some of the following symbols may be used on this product. Please study them and learn their meaning. Proper interpretation of these symbols will allow you to operate the product better and safer.

| SYMBOL | DESIGNATION/EXPLANATION |
|---|---|
| V | Voltage |
| A | Current |
| Hz | Frequency (cycles per second) |
| Wh | Watt Hour - Energy Storage Capacity |
| Ah | Amp Hour - Current Capacity |
| DC | Direct current |
| --- | Type or a characteristic of current |
| RPM | Revolutions per minute |
|  | Double-insulated construction |
| /min | Revolutions, strokes, surface speed, orbits, etc., per minute |
|  | Indicates a potential personal injury hazard. |
|  | To reduce the risk of injury, user must read and understand operator's manual before using this product. |
|  | Wear ear protection at all times while operating the machine. |
|  | Always wear eye protection with side shields marked to comply with ANSI Z87.1 when operating this equipment. |
|  | Stop the motor and remove the battery before leaving the machine. |
|  | Thrown objects can ricochet and result in personal injury or property damage. |
|  | Danger – Keep hands and feet away from openings while the machine is running. Do not use hands to unclog chute. Stop motor and remove the battery before removing debris. |
|  | Keep bystanders a safe distance from the machine. |
|  | Stay away from moving parts. Keep all guards and shields in place. |
|  | Keep hands and feet away. |
|  | Keep hands away from the discharge area. |

SYMBOLS

The following signal words and meanings are intended to explain the levels of risk associated with this product.

| SYMBOLS | SIGNAL | MEANING |
|---|----------------|--|
|  | DANGER | Indicates an imminently hazardous situation, which, if not avoided, will result in death or serious injury. |
|  | WARNING | Indicates a potentially hazardous situation, which, if not avoided, could result in death or serious injury. |
|  | CAUTION | Indicates a potentially hazardous situation, which, if not avoided, may result in minor or moderate injury. |
| | CAUTION | (Without Safety Alert Symbol) Indicates a situation that may result in property damage. |

SERVICE

Servicing requires extreme care and knowledge and should be performed only by a qualified service technician. For service we suggest you return the product to your nearest **AUTHORIZED SERVICE CENTER** for repair. When servicing, use only identical replacement parts.

▲ W A R N I N G

To avoid serious personal injury, do not attempt to use this product until you have read this Owner's Manual thoroughly and understand it completely. If you do not understand the warnings and instructions in this Owner's Manual, do not use this product. Call the Toll-free Helpline (1(855)345-3934) for assistance.

▲ W A R N I N G

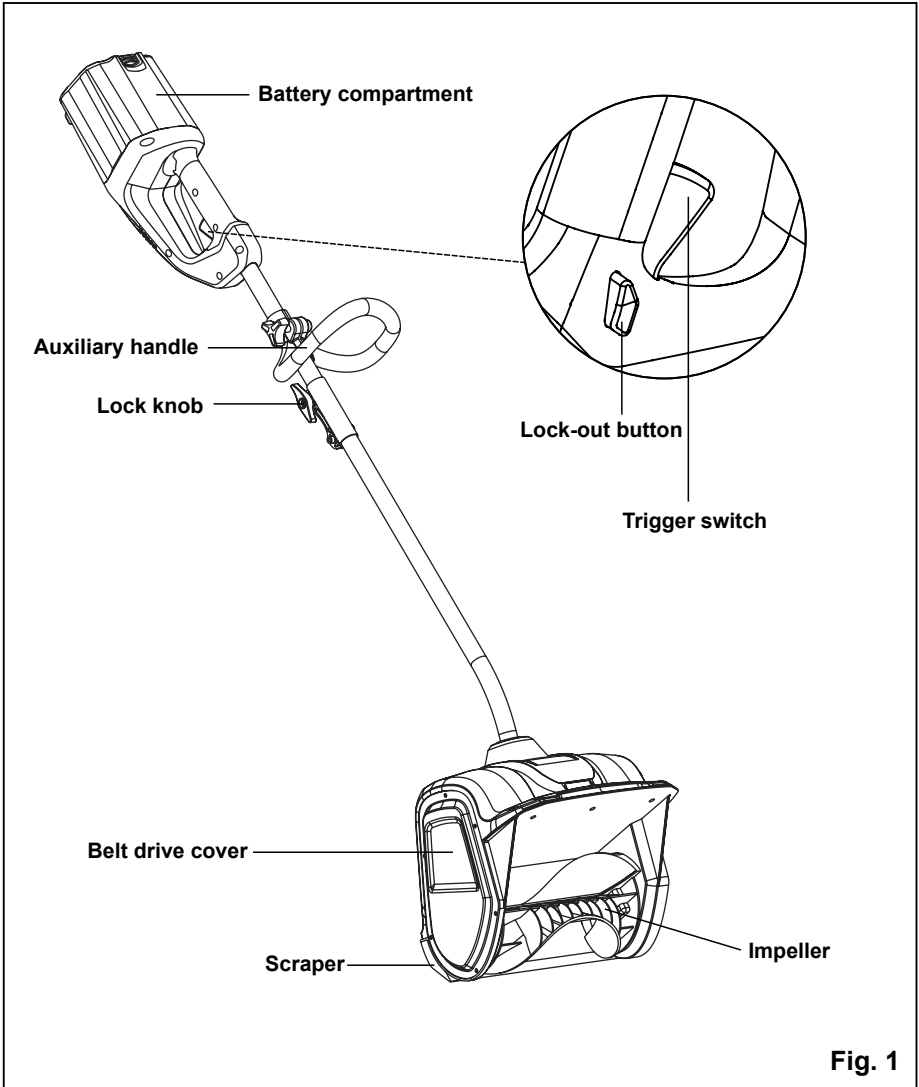


The operation of any power tool can result in foreign objects being thrown into your eyes, which can result in severe eye damage. Before beginning power tool operation, always wear safety goggles or safety glasses with side shields and, when needed, a full face shield. We recommend a Wide Vision Safety Mask for use over eyeglasses or standard safety glasses with side shields. Always use eye protection which is marked to comply with ANSI Z87.1.

SAVE THESE INSTRUCTIONS

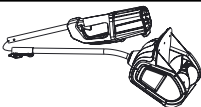


KNOW YOUR SNOW SHOVEL

Read this operator's manual and safety rules before operating your snow shovel. Compare the illustration in Figure 1 to your snow shovel in order to familiarize yourself with the location of various controls and adjustments. Save this manual for future reference.



ASSEMBLY INSTRUCTIONS

PACKING LIST

| PART NAME | FIGURE | QTY |
|------------------|---|-----|
| Snow shovel |  | 1 |
| Auxiliary handle |  | 1 |
| Owner's manual |  | 1 |

UNPACKING

- Carefully remove the product and any accessories from the box. Make sure that all items listed in the packing list are included.
- Inspect the product carefully to make sure no breakage or damage occurred during shipping.
- Do not discard the packing material until you have carefully inspected and satisfactorily operated the product.
- If any parts are damaged or missing, please call 1(855)345-3934 for assistance.

▲ W A R N I N G

If any parts are damaged or missing, do not operate this product until the parts are replaced. Failure to heed this warning could result in serious personal injury.

▲ W A R N I N G

Do not insert battery until assembly is complete. Failure to comply could result in accidental starting and possible serious personal injury.

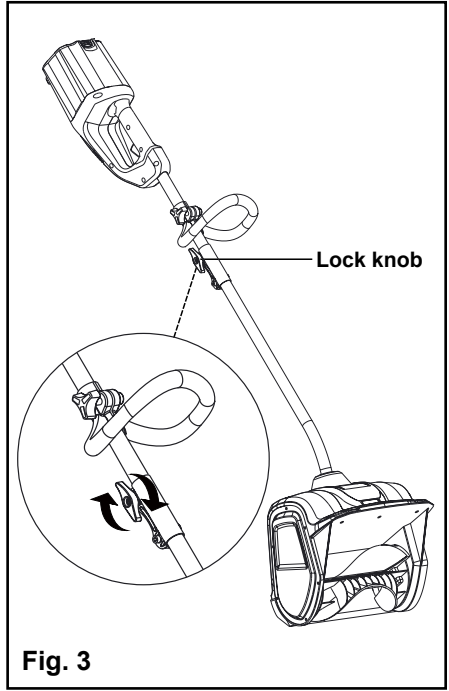
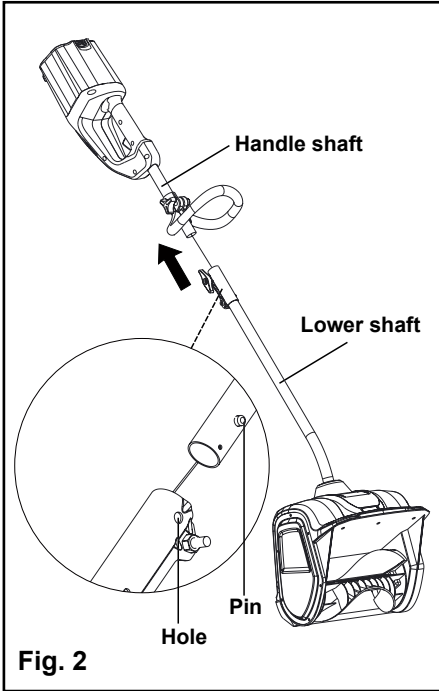
▲ W A R N I N G

Do not attempt to modify this product or create accessories not recommended for use with this product. Any such alteration or modification is misuse, and could result in a hazardous condition leading to possible serious personal injury.

ASSEMBLY INSTRUCTIONS

CONNECTING THE SHAFTS (See Figures 2-3)

- Align the pin on the handle shaft and the hole on the lower shaft. (Fig. 2)
- Once the two shafts are secured, turn the lock knob clockwise until it is fully tightened. (Fig. 3)



ASSEMBLY INSTRUCTIONS

TO INSTALL BATTERY PACK (See Figure 4)

- Slide the battery (1) down to lock it into position. The battery is fully inserted into the snow shovel when you hear an audible “click”.

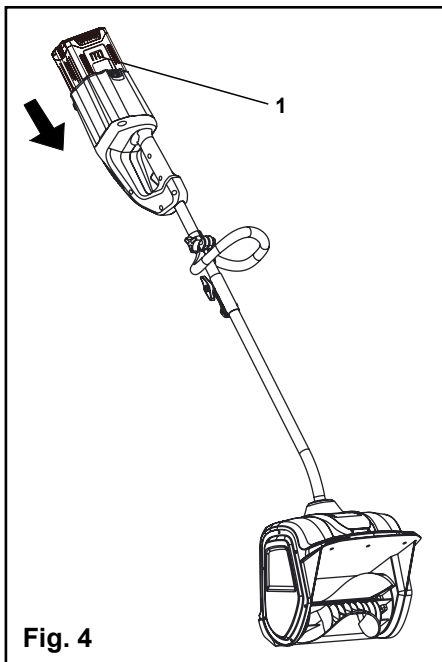


Fig. 4

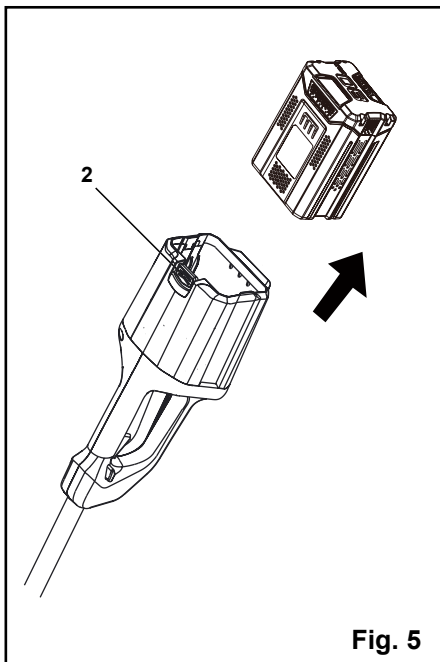


Fig. 5

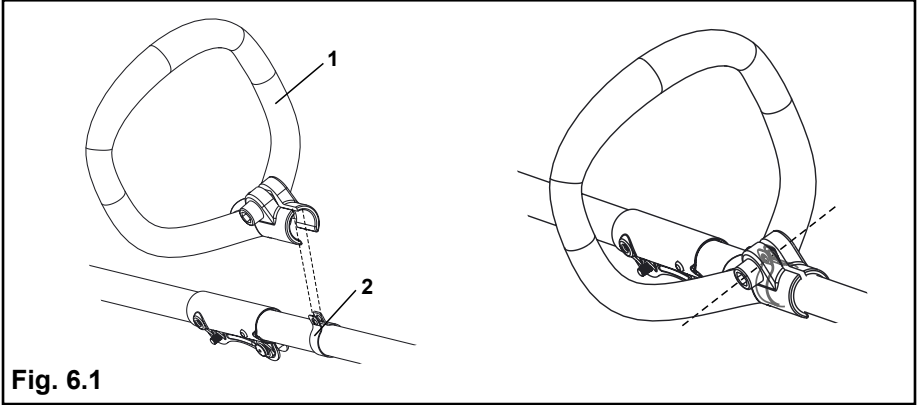
TO REMOVE BATTERY PACK (See Figure 5)

- Release the trigger switch. The lock-out button will pop out, and the snow shovel will stop.
- Press and hold the battery latch button (2) at the rear handle.
- Remove battery pack from the snow shovel.

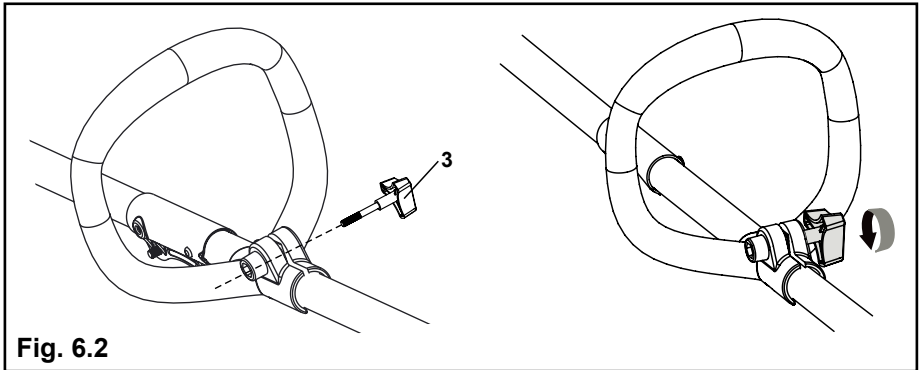
ASSEMBLY INSTRUCTIONS

ATTACHING THE AUXILIARY HANDLE (See Figure 6)

- Press the auxiliary handle (1) onto the upper shaft so that the handle is angled toward the rear handle that allows for comfortable operation.
- Slide the auxiliary handle over the metal ring (2) and ensure the metal ring fits between the slot on the auxiliary handle.



- Align the holes on the auxiliary handle with the holes on metal ring.
- Insert the handle knob (3) through the auxiliary handle.
- Tighten until there is no movement in the handle.



OPERATING INSTRUCTIONS

STARTING THE SNOW SHOVEL (See Figures 7-8)

In order to avoid serious injury, the operator and unit must be in a stable position when starting the snow shovel.

Follow this sequence exactly in order to start the snow shovel.

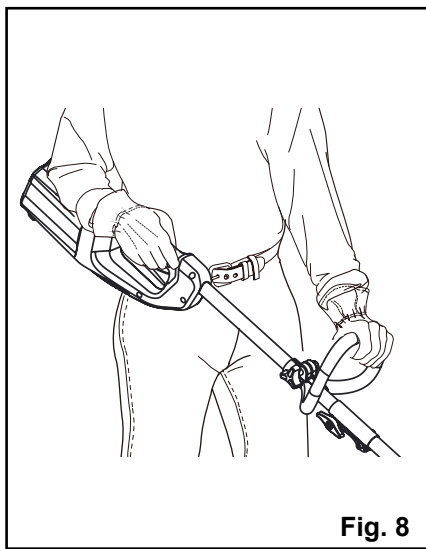
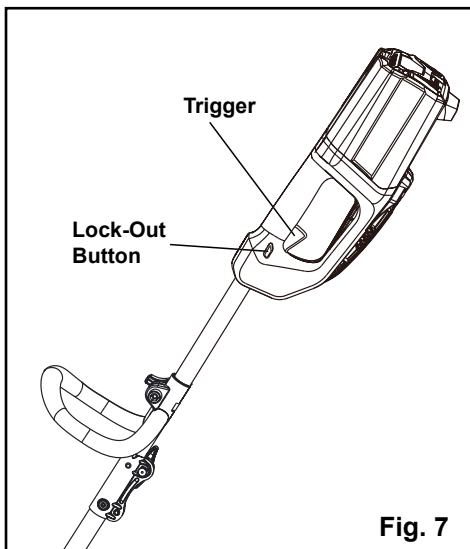
- Verify that the battery pack is inserted into the battery compartment.
- Press and hold the lock-out button.
- While holding the lock-out button, press and hold the trigger switch.

NOTE: The Snow Shovel will not start if the lock-out button is not held until the trigger switch is lifted. Once trigger is pressed and unit is started, release the lock-out button.

- Hold the handles and begin to use the snow shovel.

STOPPING THE SNOW SHOVEL (See Figure 7)

- Release the trigger switch.
- The lock-out button will pop out, and the snow shovel will stop.



OPERATING INSTRUCTIONS

USING THE SNOW SHOVEL (See Figure 9)

- Start the snow shovel by following the Starting Instructions. The depth and weight of the snow will determine the forward speed.
- Push the snow shovel forward so that it rides on the scraper.



Fig. 9

MAINTENANCE

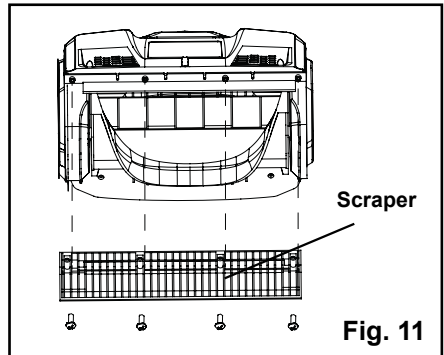
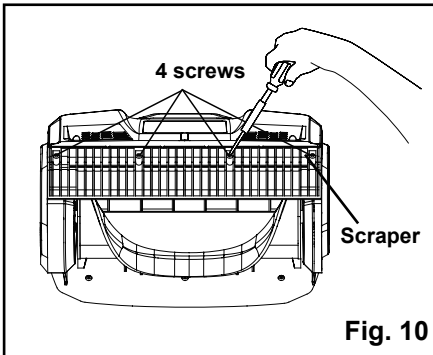
REPLACING THE SCRAPER (See Figures 10-11)

⚠ WARNING

IN ORDER TO AVOID SERIOUS PERSONAL INJURY, TURN THE SNOW SHOVEL OFF AND REMOVE BATTERY BEFORE PERFORMING ANY MAINTENANCE.

Use only the manufacturer's original replacement parts.

- Place the snow shovel on the ground or on a work bench. Position the snow shovel so that the impeller is facing up.
- Remove the four screws that are located beneath the impeller that secure the scraper to the housing using a Phillips screwdriver. (Fig. 10)
- Remove the scraper, and discard it in the proper manner. (Fig. 11)
- Snap the new scraper into position, and attach it to the snow shovel by reinstalling the four screws.



MAINTENANCE

STORAGE

- Allow the motor to cool down before storing.
- Store the snow shovel in a locked location in order to prevent unauthorized use or damage.
- Store the snow shovel in a dry, well-ventilated area.
- Store the snow shovel out of the reach of children.

CLEANING

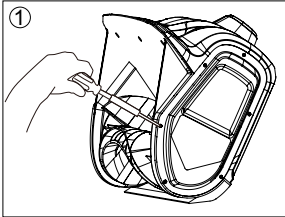
- In order to avoid serious personal injury, turn the snow shovel off and remove battery before cleaning or servicing.
- Use a small brush to clean the outside of the snow shovel. Do not use strong detergents. Household cleaners that contain aromatic oils such as pine and lemon, and solvents such as kerosene can damage the plastic housing and handles. Wipe off any moisture using a soft cloth.

TRANSPORTING THE SNOW SHOVEL

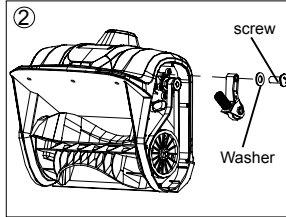
- Allow the motor to cool down before transporting.
- Secure the snow shovel while transporting.
- When moving the snow shovel, grasp it by the top handle and auxiliary handle.

MAINTENANCE

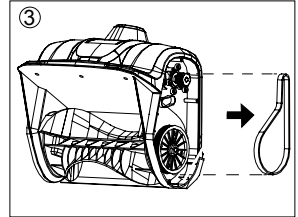
IMPELLOR REPLACEMENT



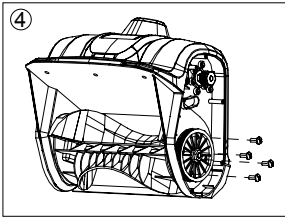
- Remove the right side cover by removing 6 screws.



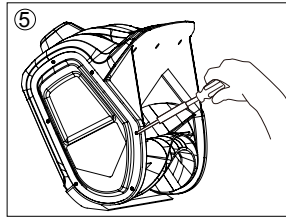
- Pull the belt tensioner (idler arm) away from the drive pulley. Be sure not to lose the washer and screw left.



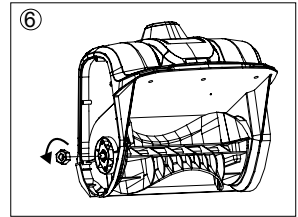
- Remove the belt.



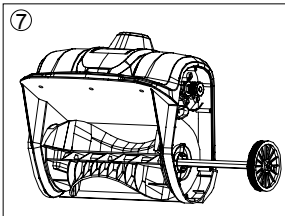
- Remove the 4 screws .



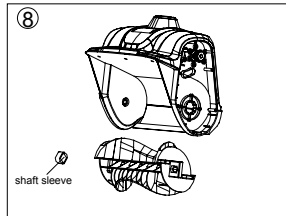
- Remove the left side cover by removing 6 screws.



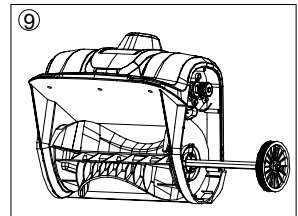
- Remove the nut that secures the left side plate.



- Remove the impellor shaft with pulley assembly attached.



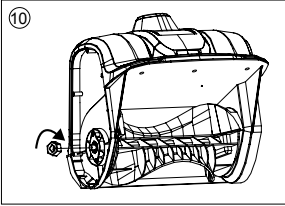
- Withdraw the old/damaged impellor. Be sure not to lose the shaft sleeve that secures left side of the shaft.



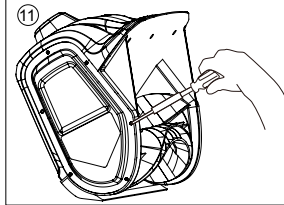
- Insert the impellor shaft with pulley assembly attached in the new impellor. Be sure to replace the retained shaft sleeve that secures left side of the shaft.

MAINTENANCE

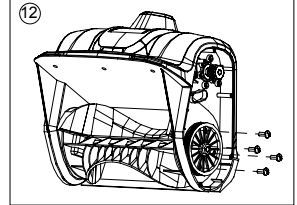
IMPELLOR REPLACEMENT



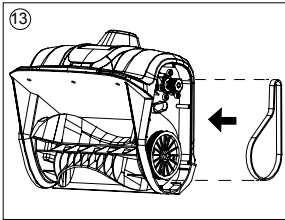
- Replace and tighten the remaining nut to secure the left side plate assembly.



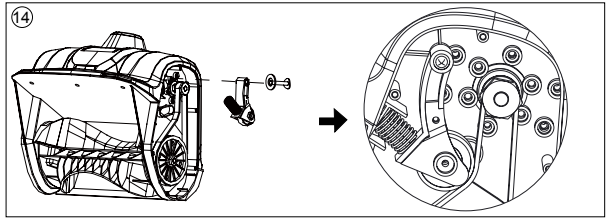
- Replace and tighten the remaining screws to secure the left side cover.



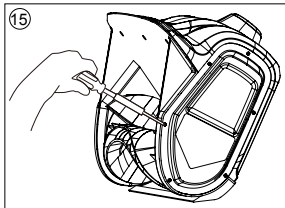
- Replace and tighten the remaining screws to secure the pulley assembly.



- Place the belt back into its place.



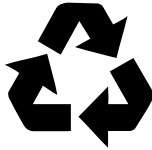
- Place the belt tensioner (idler arm) back into its place.



- Replace and tighten the remaining screws to secure the right side cover.

ENVIRONMENTALLY SAFE BATTERY DISPOSAL

The following toxic and corrosive materials are in the batteries used in this tool battery pack:
Lithium-Ion, a toxic material.



▲ W A R N I N G

Toxic materials must be disposed of in a specified manner in order to prevent contamination of the environment. Before disposing of damaged or worn out Lithium-Ion battery packs, contact your local waste disposal agency for information and specific instructions. Take the battery to a local recycling and/or disposal centre that is certified for disposal. If the battery pack cracks or breaks, whether it leaks or not, do not recharge it and do not use it. Dispose of it and replace it with a new battery pack. **DO NOT ATTEMPT TO REPAIR IT!**

Follow these instructions in order to avoid injury and the risk of fire, explosion, or electric shock, and to avoid damage to the environment:

- Cover the battery's terminals with heavy-duty adhesive tape.
 - Do not attempt to remove or destroy any of the components of the battery pack.
 - Do not attempt to open the battery pack.
 - If a leak develops, the electrolytes that are released are corrosive and toxic. Do not get the solution in the eyes or on the skin, and do not swallow it.
 - Do not place batteries in regular household trash.
 - DO NOT incinerate batteries.
 - DO NOT place batteries where they will become part of any waste landfill or municipal solid waste stream.
 - Dispose of batteries at a certified recycling or disposal center.
-

TROUBLESHOOTING

| PROBLEM | POSSIBLE CAUSE | SOLUTION |
|---|---|---|
| The snow shovel does not start. | The battery is not charged. | Charge the battery by following the procedures in the battery and charger manual. |
| | The lock-out button or trigger switch were not used properly. | Press and hold the lock-out button, while holding the lock-out button, press the switch trigger. |
| | Battery is too cold. | Remove battery from snow shovel. Place battery on charger and allow to charge for 10 minutes. Remove from charger and install in Snow shovel for use. |
| | The battery is not fully inserted into the housing. | Check if the battery is fully inserted into the housing. |
| | Battery may require service or replacement. | Call toll free helpline, at 1(855)345-3934 or replace battery. |
| The motor is on, but the rotor does not turn. | The belt is damaged. | Replace the belt. |
| The snow shovel leaves a thin layer. | The scraper is worn. | Replace the scraper. |

LIMITED FOUR-YEAR WARRANTY



GREENWORKS hereby warrants this product, to the original purchaser with **proof of purchase**, for a period of four (4) years against defects in materials, parts or workmanship. GREENWORKS, at its own discretion will repair or replace any and all parts found to be defective, through normal use, free of charge to the customer. This warranty is valid only for units which have been used for personal use that have not been hired or rented for industrial/commercial use, and that have been maintained in accordance with the instructions in the owners' manual supplied with the product from new.

ITEMS NOT COVERED BY WARRANTY:

1. Any part that has become inoperative due to misuse, commercial use, abuse, neglect, accident, improper maintenance, or alteration; or
2. The unit, if it has not been operated and/or maintained in accordance with the owner's manual; or
3. Normal wear, except as noted below;
4. Routine maintenance items such as lubricants, scraper, impeller;
5. Normal deterioration of the exterior finish due to use or exposure.

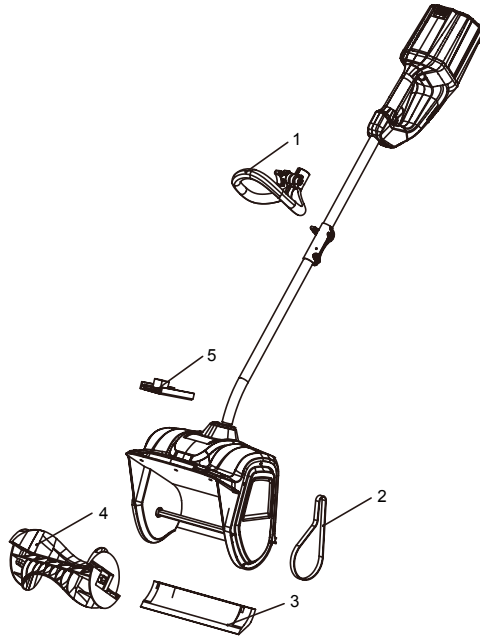
GREENWORKS HELPLINE (1(855)345-3934):

Warranty service is available by calling our toll-free helpline, at **1(855)345-3934**.

TRANSPORTATION CHARGES:

Transportation charges for the movement of any power equipment unit or attachment are the responsibility of the purchaser. It is the purchaser's responsibility to pay transportation charges for any part submitted for replacement under this warranty unless such return is requested in writing by **GREENWORKS**.

EXPLODED VIEW/PARTS LIST



| ITEM NO. | PART NO. | DESCRIPTION | QTY |
|----------|-------------|---------------------------|-----|
| 1 | 311041429 | Auxiliary Handle Assembly | 1 |
| 2 | 329011468 | Belt | 1 |
| 3 | 341041468 | Scraper | 1 |
| 4 | 341031468 | Impeller | 1 |
| 5 | 362011479AB | PCB Board | 1 |

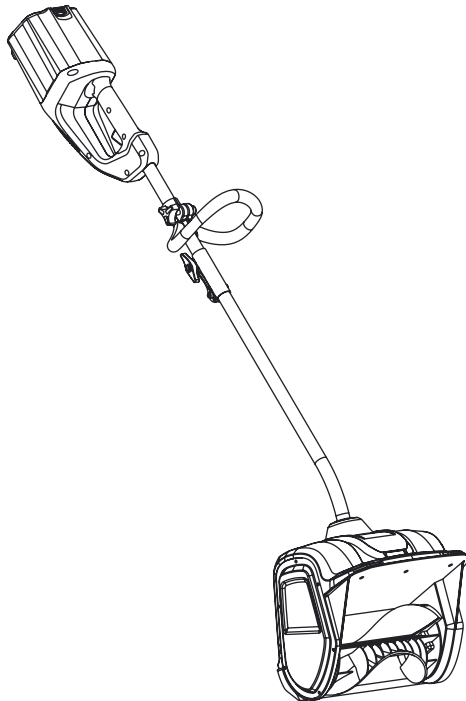


Greenworks Tools
PO Box 1238
Mooresville, NC 28115

TOLL-FREE HELPLINE: 1(855)345-3934

greenworks **pro**[®]

Pelle à neige sans fil de 80V
2601202 (GLSS80000)



Guide d'utilisation

LIGNE D'ASSISTANCE SANS FRAIS: 1(855)345-3934

www.GreenWorksTools.com

⚠ Avant d'utiliser le produit, veuillez lire et suivre toutes les consignes de sécurité et les instructions d'utilisation.

MATIÈRES

| | |
|--|----|
| Matières | 2 |
| Fiche technique | 2 |
| Règles de sécurité | 3 |
| Symboles | 6 |
| Caractéristiques | 8 |
| Assemblage | 9 |
| Utilisation | 13 |
| Entretien | 15 |
| Mise au rebut de la batterie de façon écologique | 19 |
| Dépannage | 20 |
| Garantie | 21 |
| Vue éclatée/Liste des pièces | 22 |

FICHE TECHNIQUE

PELLE À NEIGE SANS FIL DE 12 PO 80V

| | |
|--------------------------------|-----------------------|
| Moteur..... | Moteur sans balai 80V |
| Batterie | 80V Lithium-ion |
| Vitesse à vide | 1800 RPM |
| Largeur de déblaiement..... | 12 po (30 cm) |
| Profondeur de déblaiement..... | 6 po (15,2 cm) |
| Dimension de la turbine | 11 po (27,8 cm) |
| Distance d'évacuation | 20 pi (6 m) |
| Poids (avec batterie) | 19,2 lbs (8,7 kg) |

Fonctionnement par temps froid: Les batteries au Lithium Ion peuvent être utilisées à des températures variant entre -17° et 45° Celsius. NOTE: Ne pas entreposer ou recharger la batterie à l'extérieur. Elle doit être rechargée et entreposée à l'intérieur avant l'utilisation de la pelle.

La batterie peut ne pas démarrer correctement si la température est de -17°C ou inférieure. Si l'appareil ne démarre pas, retirer la batterie de la pelle. Mettre la batterie sur le chargeur et laisser charger pour 10 minutes afin de permettre à la batterie de se réchauffer. Retirer du chargeur et installer dans la pelle pour être utilisée.

RÈGLES DE SÉCURITÉ

RÈGLES À SUIVRE PENDANT L'UTILISATION DE (L'OUTIL ÉLECTRIQUE)

▲ A V E R T I S S E M E N T

VEILLEZ À LIRE ATTENTIVEMENT ET BIEN COMPRENDRE TOUTES LES INSTRUCTIONS. Le non respect de toutes les instructions ci-dessous et sur la machine peut entraîner un choc électrique, un incendie, et/ou des blessures graves.

- Marchez. Ne courez pas.
- Vérifiez que l'outil électrique ne touche à aucun autre objet avant de le mettre en marche.
- Tenez-vous toujours loin des ouvertures de la roue. Gardez votre visage, vos mains et vos pieds à distance des pièces dissimulées, mobiles ou rotatives.
- Soyez attentif lorsque vous utilisez l'outil électrique. Prêtez attention à la circulation, aux trous dans le terrain et aux autres dangers cachés.
- Déplacez-vous de haut en bas lorsque vous déneigez une surface en pente. Ne vous dirigez pas d'un côté à l'autre dans les pentes. Soyez vigilant lorsque vous changez de direction. N'utilisez pas cet outil électrique pour déneiger des pentes abruptes.
- Ne faites pas fonctionner l'outil électrique si aucun protecteur, aucun panneau ni aucun autre dispositif de sécurité ne sont en place.
- Ne faites pas fonctionner l'outil électrique près d'éléments fermés en verre, d'automobiles, de camions, de puits de fenêtre, de zones de dénivellement important, etc. sans ajuster correctement l'angle de projection de la neige. Assurez-vous que les enfants et les animaux ne s'approchent pas de l'aire de travail.
- Ne faites pas fonctionner l'outil électrique à grande vitesse sur des surfaces glissantes. Regardez derrière lorsque vous reculez et faites preuve de prudence.
- Portez des lunettes de sécurité qui respectent les normes ANSI Z87.1.
- Utilisez l'outil électrique de jour ou avec un bon éclairage artificiel.
- Pour éviter les démarrages accidentels, demeurez en position initiale lorsque vous mettez l'outil électrique en marche. L'utilisateur et l'outil électrique doivent être stables lors du démarrage. Consultez la section intitulée Directives de démarrage et d'arrêt.
- Utilisez uniquement cet outil électrique aux fins pour lesquelles il a été conçu.
- Tenez l'outil électrique à deux mains pendant qu'il est en marche. Tenez fermement les poignées.
- Si la roue ne tourne pas librement parce qu'elle est glacée, faites entièrement dégeler l'outil électrique avant d'essayer de l'utiliser.
- Veillez à ce que la roue soit exempte de tout débris.
- Ne tentez pas de nettoyer la roue pendant que le moteur tourne.
- Lorsque l'outil heurte un obstacle, éteignez l'outil électrique et retirez le bloc-piles, puis vérifiez qu'il n'y a aucun dommage. Réparez tout dommage avant de redémarrer et d'utiliser l'outil électrique.
- Si l'outil électrique commence à vibrer de manière anormale, arrêtez l'outil électrique immédiatement et tentez de déterminer la cause des vibrations. Les vibrations indiquent généralement un danger.
- Arrêtez le moteur et retirez le bloc-piles chaque fois que vous quittez la position de fonctionnement, avant de désobstruer la roue et avant d'entreprendre des réparations, des réglages ou des inspections.

RÈGLES DE SÉCURITÉ

- N'utilisez pas l'outil électrique sur une surface de gravier, à moins que l'outil soit adapté à une surface de ce genre conformément au guide d'utilisation.
- Maintenez les enfants à l'écart. Tous les visiteurs doivent se tenir à une distance sécuritaire de la zone de travail.
- Portez une tenue adéquate. Ne portez pas de vêtements amples ni de bijoux qui peuvent s'accrocher. Ils pourraient se coincer dans les pièces mobiles.
- Portez des bottes en caoutchouc lorsque vous utilisez l'outil électrique. N'utilisez pas l'équipement si vous êtes pieds nus ou si vous portez des sandales. Portez toujours des chaussures adaptées.
- Il est dangereux d'utiliser l'outil électrique à une main, sauf conformément aux instructions spéciales à cet effet indiquées dans le guide d'utilisation.
- Assurez-vous que les protecteurs sont bien en place et en état de fonctionnement.
- Ne forcez pas l'outil électrique. Vous obtiendrez de meilleurs résultats et assurerez votre sécurité si vous utilisez l'outil au débit pour lequel il est conçu.
- N'essayez pas d'étendre votre portée. Gardez une posture sécuritaire et un bon équilibre en tout temps.
- Si l'outil électrique heurte un objet étranger, procédez comme suit :
 - i) Éteignez l'outil électrique.
 - ii) Vérifiez si l'appareil est endommagé.
 - iii) Réparez tout dommage avant de redémarrer et d'utiliser l'outil électrique.
- Rangez l'outil électrique à l'intérieur. Lorsqu'il n'est pas utilisé, l'outil électrique doit être rangé à l'intérieur dans un endroit sec et fermé à clé, hors de la portée des enfants.
- Suivez les instructions en matière de lubrification et de remplacement des accessoires.
- Laissez l'outil électrique fonctionner pendant quelques minutes après avoir soufflé la neige afin d'éviter que des pièces mobiles ne gèlent.
- Utilisez uniquement des pièces de rechange et des accessoires identiques pour cet outil électrique. L'utilisation de pièces et d'accessoires non identiques pourrait entraîner des blessures graves ou endommager l'outil électrique et annulera la garantie.
- Ne ramassez pas l'outil électrique lorsqu'il est en marche. L'outil électrique est conçu pour se déplacer au sol.
- Ne laissez jamais des enfants utiliser un outil électrique. Assurez-vous de garder toutes les personnes, en particulier les jeunes enfants, et les animaux à l'extérieur de la zone d'utilisation.
- Inspectez soigneusement la zone où l'équipement doit être utilisé et retirez tous les fils, pierres, branches, os et autres corps étrangers.
- Arrêtez la ou les lames lorsque vous traversez des entrées, des allées et des trottoirs de gravier.
- Lisez attentivement le manuel d'utilisation et d'instructions. Assurez-vous de bien connaître les commandes et l'utilisation appropriée de l'équipement.

RÈGLES DE SÉCURITÉ

RÈGLES DE SÉCURITÉ GÉNÉRALES

- Lorsque vous transportez l'outil électrique, assurez-vous de l'attacher solidement.
- Rangez l'outil électrique dans un endroit sec et verrouillé ou assez haut pour éviter une utilisation non autorisée ou des dommages. Tenez-la hors de la portée des enfants.
- Gardez les poignées propres, sèches et exemptes de débris. Nettoyez l'outil électrique après chaque utilisation. Veuillez référer au Chapitre d'Entretien dans ce manuel pour plus d'information.
- Si les étiquettes apposées sur l'outil électrique s'effacent ou décollent, communiquez avec le service d'assistance téléphonique sans frais au 1(855)345-3934.
- Conservez ces instructions en lieu sûr pour une référence future. Référez-vous aux instructions fréquemment et lorsque vous expliquez le fonctionnement à d'autres personnes. Quiconque utilise l'outil électrique doit lire ces instructions attentivement.
- Entretenez l'outil avec soin - Respectez les instructions concernant la lubrification et le remplacement des accessoires.

▲ AVERTISSEMENT

UTILISEZ UNIQUEMENT DES BATTERIES DE RECHANGE APPROUVÉES PAR GREENWORKS, CAR LES AUTRES BATTERIES PEUVENT CAUSER DES BLESSURES OU ENDOMMAGER LA PELLE. S'UTILISE AVEC LA BATTERIE DE 80V (GREENWORKS MODÈLE N° 2901302 ET AUTRE SÉRIES BAB) ET LA CHARGEUR DE 80V (GREENWORKS MODÈLE N° 2901402 ET AUTRE SÉRIES CAB).

▲ AVERTISSEMENT (PROPOSITION 65)

Ce produit contient des produits chimiques qui, selon l'état de Californie, sont susceptibles de provoquer un cancer, des malformations congénitales ou d'affecter le système reproductif. Certaines poussières que produisent le ponçage, sciage, meulage et forage électriques ainsi que les autres activités de construction contiennent des substances chimiques qui sont des cancérigènes connus susceptibles de causer des anomalies congénitales ou d'autres préjudices à la reproduction. Quelques exemples en sont :













- Plomb des peintures à base de plomb,
- Silice cristalline des briques et du ciment ou d'autres produits de maçonnerie, et
- Arsenic et chrome du bois traité chimiquement.

Le niveau de risque résultant de votre exposition à ces produits varie selon la fréquence à laquelle vous effectuez ce type de travail. Pour réduire votre exposition à ces produits chimiques travaillez dans un endroit bien aéré et utilisez des équipements de sécurité approuvés tels que les masques anti-poussière conçus particulièrement pour le filtrage des particules microscopiques.

GARDEZ CES INSTRUCTIONS




SYMBOLES

Certains des symboles ci-dessous peuvent être utilisés sur ce produit. Veuillez les étudier et apprendre leur signification. Une interprétation correcte de ces symboles vous permettra d'utiliser ce produit plus efficacement et de réduire les risques.

| SYMBOLE | DÉSIGNATION/EXPLICATION |
|---|--|
| V | Tension |
| A | Intensité |
| Hz | Fréquence (cycles par seconde) |
| Wh | Watt Hour – Capacité de Stockage d'Energie |
| Ah | Amp Hour – Capacité de courant |
| DC | Courant continu |
| --- | Type ou caractéristique du courant |
| RPM | Vitesse de rotation à vide |
|  | Construction à double isolation |
| /min | Tours, coups, vitesse périphérique, orbites, etc., par minute |
|  | Indique un risque de blessure potentiel. |
|  | Pour réduire le risque de blessure, l'utilisateur doit lire et bien comprendre le manuel d'utilisation avant d'utiliser ce produit. |
|  | Portez une protection auditive lors de l'utilisation de l'unité. |
|  | Toujours porter une protection oculaire munie d'écrans latéraux certifiée conforme à la norme ANSI Z87.1. |
|  | Arrêtez la machine et retirez la batterie avant de quitter la machine. |
|  | Les objets projetés peuvent ricocher et infliger des blessures ou causer des dommages matériels. |
|  | Danger : gardez les mains et les pieds loin des ouvertures pendant que la machine est en marche. N'utilisez pas les mains pour débloquer la goulotte. Arrêtez le moteur et retirez la batterie avant d'enlever les débris. |
|  | Tenez les spectateurs à bonne distance de la machine. |
|  | Ne vous approchez pas des pièces en mouvement, laissez toutes les protections en place. |
|  | Maintenez vos mains et vos pieds à l'écart. |
|  | Gardez les mains à l'écart du point de projection. |

SYMBOLLES

Certains des symboles ci-dessous peuvent être utilisés sur produit. Veiller à les étudier et à apprendre leur signification. Une interprétation correcte de ces symboles permettra d'utiliser produit plus efficacement et de réduire les risques.

| SYMBOLE | SIGNAL | SIGNIFICATION |
|--|----------------------|---|
|  | DANGER | Indique une situation extrêmement dangereuse qui, si elle n'est pas évitée, aura pour conséquence des blessures graves voire mortelles. |
|  | AVERTISSEMENT | Indique une situation potentiellement dangereuse qui, si elle n'est pas évitée, peut entraîner des blessures graves voire mortelles. |
|  | ATTENTION | Indique une situation potentiellement dangereuse qui, si elle n'est pas évitée, peut entraîner des blessures légères voire modérées. |
| | ATTENTION | (Sans symbole d'alerte de sécurité) Indique une situation pouvant entraîner des dommages matériels. |

DÉPANNAGE

Le dépannage exigeant des précautions extrêmes et la connaissance du système, il ne doit être confié qu'à un technicien de service qualifié. En ce qui concerne les réparations, nous recommandons de confier le produit au **CENTRE DE RÉPARATIONS AGRÉÉ** le plus proche. Lors de réparation du produit, utilisez seulement des pièces identiques aux pièces d'origine.

A V E R T I S S E M E N T

Pour éviter des blessures graves, n'utilisez pas ce produit avant d'avoir lu entièrement et bien compris toutes les instructions contenues dans le manuel d'utilisation. Si vous ne comprenez pas les avertissements et les instructions du présent manuel, n'utilisez pas ce produit. Appelez le Service à la clientèle GREENWORKS pour obtenir de l'aide.

A V E R T I S S E M E N T

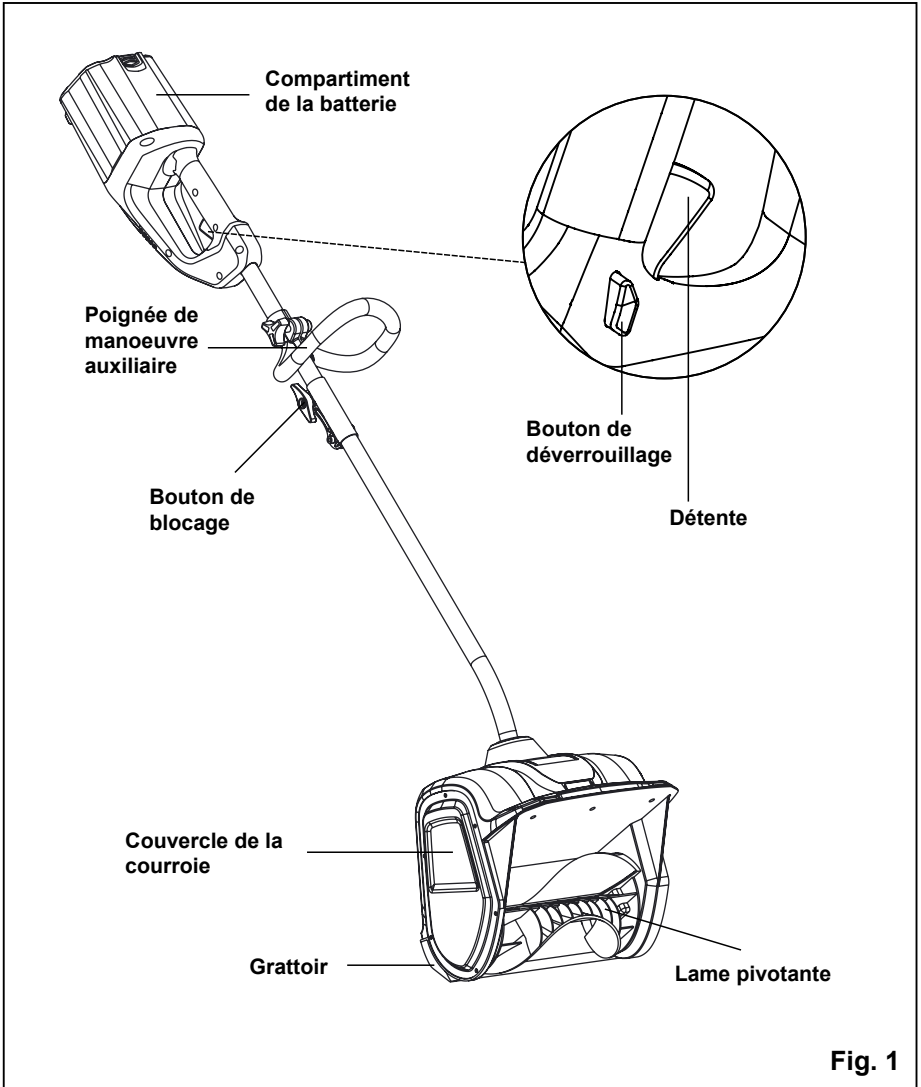


L'utilisation de tout outil motorisé peut causer la projection d'objets en direction du visage et entraîner des lésions oculaires graves. Avant de commencer à utiliser l'outil, portez toujours des lunettes de sécurité étanches ou des lunettes de sécurité à écran latéral ou, si nécessaire, un masque intégral. Nous recommandons d'utiliser un masque à champ de vision élargie si vous portez des lunettes de vue ou des lunettes de sécurité à écran latéral. Utilisez toujours une protection oculaire certifiée conforme à la norme ANSI Z87.1.

GARDEZ CES INSTRUCTIONS

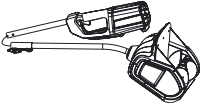


FAMILIARISATION

Lisez ce manuel d'instructions et toutes les consignes de sécurité avant d'utiliser votre pelle à neige. Comparez l'illustration ci-dessus (fig.1) à votre pelle afin de vous familiariser avec l'emplacement des commandes et réglages. Conservez ce manuel pour consultation future.



ASSEMBLAGE

LISTE DE CONTRÔLE D'EXPÉDITION

| NOM DES PIÈCES | FIGURE | QTÉ |
|---------------------------------|---|-----|
| Pelle électrique |  | 1 |
| Poignée de manoeuvre auxiliaire |  | 1 |
| Manuel d'utilisation |  | 1 |

DÉBALLAGE

- Retirez prudemment le produit et les accessoires de la boîte. Assurez-vous que tous les articles énumérés dans la liste de colisage sont inclus.
- Assurez-vous que le produit n'a pas subi des dommages ou de bris pendant le transport.
- Ne jetez pas l'emballage avant d'avoir inspecté le produit et avant d'avoir vérifié s'il fonctionne correctement.
- Si des pièces sont manquantes ou endommagées, veuillez appeler au 1(855)345-3934 pour obtenir de l'aide.

⚠ AVERTISSEMENT

Si certaines pièces sont manquantes ou endommagées, n'utilisez pas cet outil avant qu'elles aient été remplacées. Le non respect de cet avertissement peut entraîner des blessures graves.

⚠ AVERTISSEMENT

Ne pas installer la batterie avant d'avoir terminé l'assemblage. Vous risqueriez une mise en marche accidentelle pouvant entraîner de graves blessures.

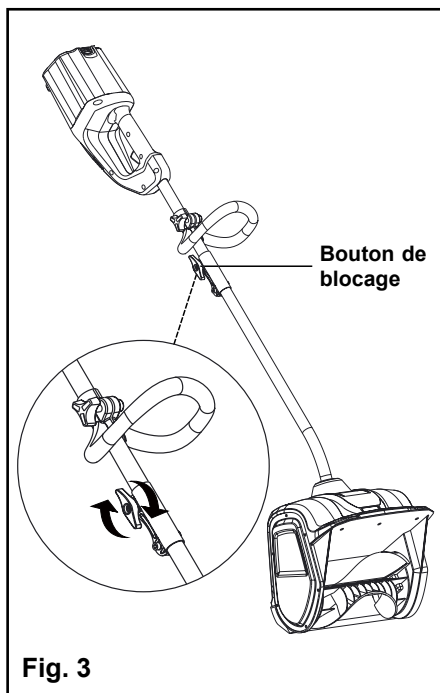
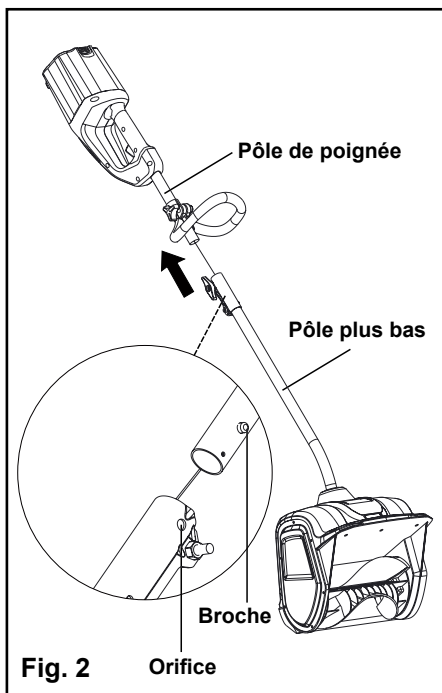
⚠ AVERTISSEMENT

N'essayez pas de modifier cet outil ou de créer des accessoires non recommandés pour les utiliser avec ce produit. De telles altérations ou modifications sont considérées comme un usage abusif et peuvent créer des conditions dangereuses, risquant d'entraîner des blessures graves.

ASSEMBLAGE

CONNECTER LES PÔLES (Voir Figures 2-3)

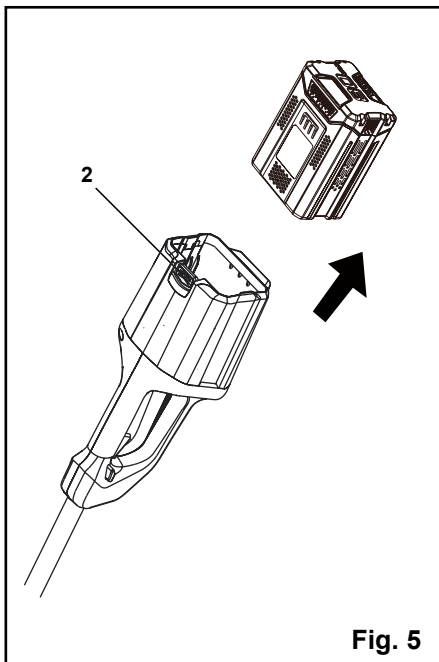
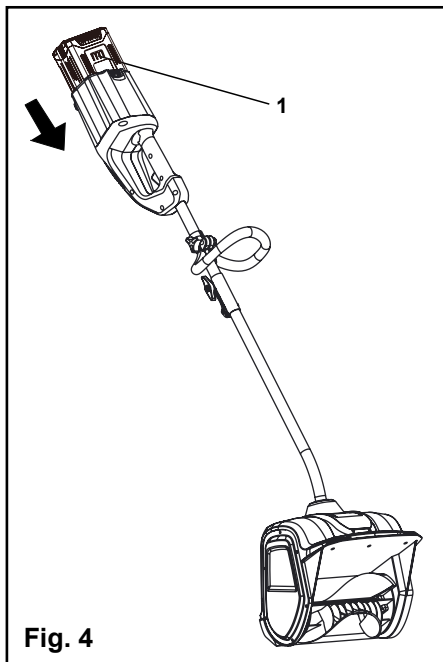
- Alignez la broche de l'axe sur la poignée et l'orifice situé sur l'axe inférieur. (Fig. 2)
- Tournez la le bouton de blocage dans le sens horaire jusqu'à ce que celle-ci soit fermement serrée. (Fig. 3)



ASSEMBLAGE

INSTALLATION DU BLOC-PILES (Voir Figure 4)

- Faire glisser la batterie (1) vers le bas pour la verrouiller en position. La batterie est insérée complètement dans la pelle quand vous entendez un "petit bruit" audible.



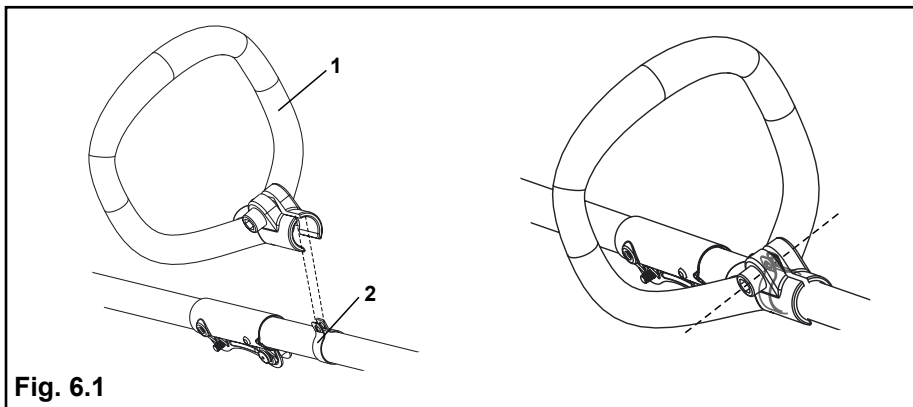
RETRAIT DU BLOC-PILES (Voir Figure 5)

- Relâchez la détente. Le bouton de déverrouillage se déclenche et la Pelle s'arrêtera.
- Pressez et maintenez enfoncé le bouton de déverrouillage de la batterie (2) situé sur la poignée arrière.
- Retirer le bloc-piles du pelle à neige.

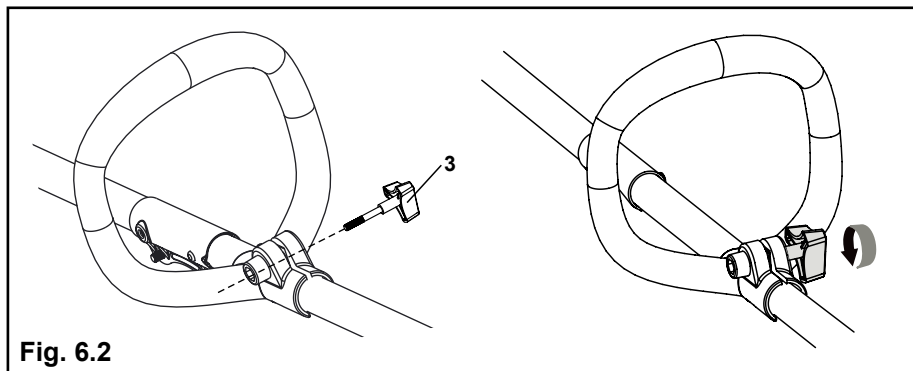
ASSEMBLAGE

INSTALLER LA POIGNÉE AVANT (Voir Figure 6)

- Appuyez sur la poignée auxiliaire (1) située sur la tige supérieure de manière à ce que la poignée soit alignée vers la poignée arrière et permettre ainsi une position confortable.
- Faites glisser la poignée auxiliaire sur l'anneau métallique (2) puis assurez-vous que l'anneau métallique est bien installé entre l'emplacement situé sur la poignée auxiliaire.



- Alignez les orifices de la poignée auxiliaire avec ceux de l'anneau métallique.
- Insérez le bouton de la poignée (3) à travers la poignée auxiliaire.
- Serrez jusqu'à ce que la poignée ne bouge plus.



UTILISATION

DÉMARRAGE (Voir Figures 7-8)

Pour éviter de vous blesser gravement, tenez-vous de façon stable lorsque vous démarrez la pelle.

Suivez minutieusement cette séquence pour démarrer la pelle.

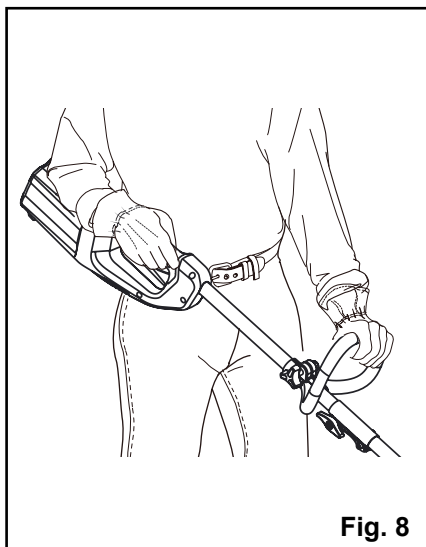
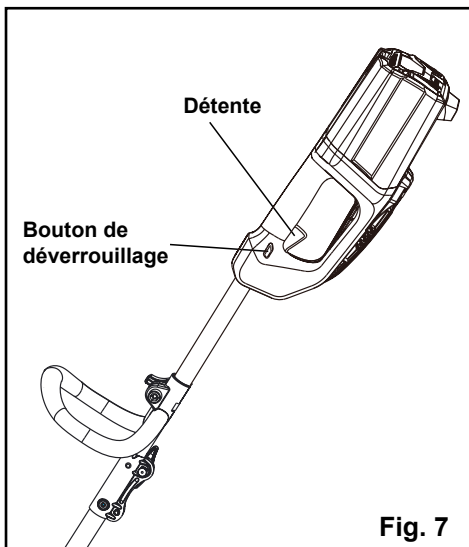
- Vérifiez que la batterie est insérée dans le compartiment à batterie.
- Appuyez et maintenez le bouton de déverrouillage.
- Tout en maintenant le bouton de déverrouillage enfoncé, pressez la détente et maintenez-la en place.

REMARQUE : la pelle ne démarrera pas si le bouton de déverrouillage n'est pas maintenu jusqu'à ce que la détente soit pressée. Une fois la gâchette pressée et l'appareil mise en marche, relâchez le bouton de déverrouillage.

- Tenez les poignées. Vous pouvez maintenant utiliser la pelle.

ARRÊT DE LA PELLE (Voir Figure 7)

- Relâchez la détente.
- Le bouton de déverrouillage se déclenchera et la pelle s'arrêtera.



UTILISATION

UTILISATION DE LA PELLE (Voir Figure 9)

- Démarrez la pelle en suivant les instructions de démarrage. L'épaisseur et le poids de la neige détermineront la vitesse de marche vers l'avant.
- Poussez la pelle vers l'avant pour qu'elle glisse sur le grattoir.



ENTRETIEN

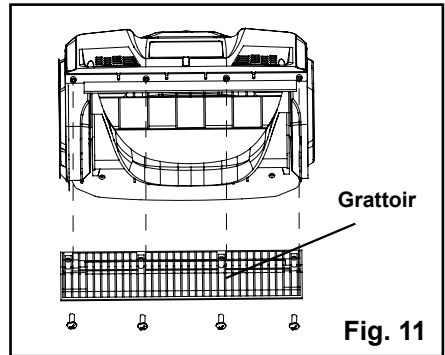
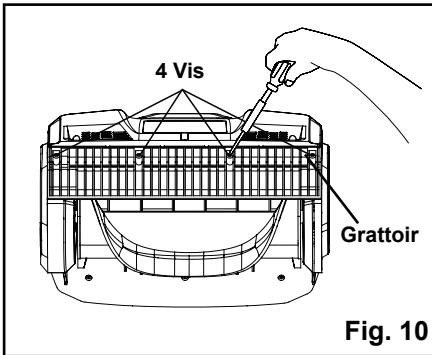
REPLACEMENT DU GRATTOIR (Voir Figures 10-11)

⚠ A V E R T I S S E M E N T

AFIN D'ÉVITER DE VOUS BLESSER GRAVEMENT, ARRÊTEZ LA PELLE ET DÉBRANCHEZ-LA AVANT D'EFFECTUER L'ENTRETIEN .

Utilisez seulement les pièces de remplacement d'origine du fabricant.

- Placez la pelle sur le sol ou sur un banc de travail. Placez la pelle de façon à ce que la lame soit orientée vers le haut.
- Dévissez les quatre vis situées sous la lame qui maintiennent le grattoir au boîtier à l'aide d'un tournevis cruciforme. (Fig. 10)
- Enlevez le grattoir et jetez-le conformément aux règlements en vigueur. (Fig. 11)
- Mettez le nouveau grattoir en place et fixez-le à la pelle en vissant les quatre vis.



ENTRETIEN

RANGEMENT

- Laissez refroidir le moteur avant ranger la pelle.
- Rangez la pelle dans un endroit verrouillé ou assez haut pour éviter une utilisation non autorisée ou des dommages.
- Rangez la pelle dans un endroit sec et bien aéré.
- Rangez la pelle hors de la portée des enfants.

NETTOYAGE

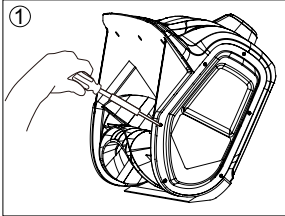
- Pour éviter de vous blesser gravement, arrêtez la pelle et débranchez-la avant de la nettoyez ou de la réparer.
- Pour nettoyer l'extérieur de la pelle, utilisez un détergent doux et une petite brosse à soie douce. Les produits nettoyant domestiques contiennent des huiles aromatiques telles que de l'huile de pin et de citron et des solvants tels que le kérosène qui peuvent endommager le boîtier de plastique et les poignées. Essayez la surface de la pelle avec un linge doux pour éliminer l'humidité.

TRANSPORT DE LA PELLE

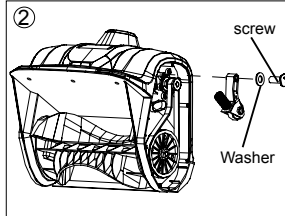
- Laissez refroidir la pelle avant de la transporter.
- Sécurisez la pelle pendant le transport.
- Lorsque vous déplacez la pelle à neige, tenez celle-ci par la poignée supérieure et la poignée auxiliaire.

ENTRETIEN

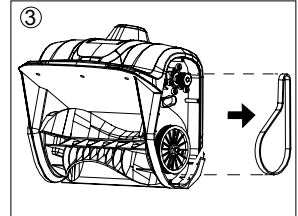
REPLACEMENT DE LA TURBINE



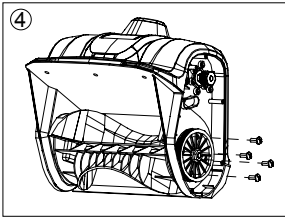
- Retirez le couvercle de droite en retirant les 6 vis.



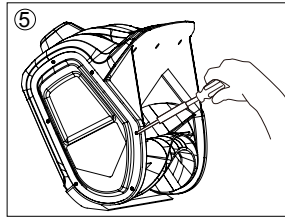
- Séparez le tendeur de courroie (bras de la poulie) de la poulie d'entraînement. Prenez garde de ne pas perdre la rondelle et la vis.



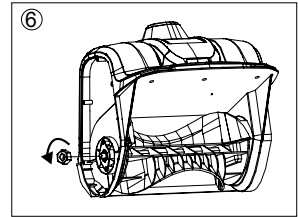
- Retirez la courroie.



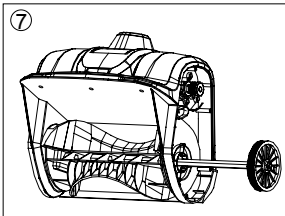
- Retirez les 4 vis.



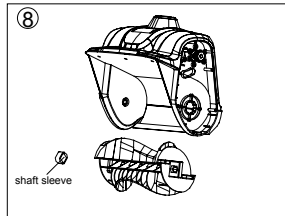
- Retirez le couvercle de gauche en retirant les 6 vis.



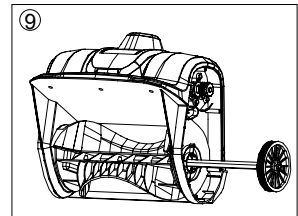
- Retirez l'écrou qui retient la plaque latérale gauche.



- Retirez l'axe de l'hélice avec l'assemblage de la poulie fixé à celui-ci.



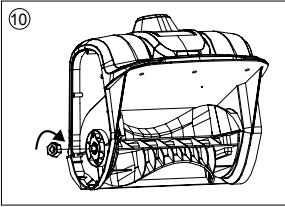
- Retirez le bloc de coupe usagé/endommagé. Prenez garde de ne pas perdre la chemise de l'arbre sécurisant le côté gauche de l'axe.



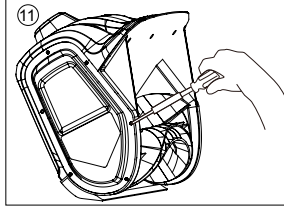
- Insérez l'axe du bloc de coupe et l'assemblage de la poulie fixé au nouveau bloc de coupe. Veillez à replacer la chemise de l'arbre sécurisant le côté gauche de l'axe (précédemment mise de côté).

ENTRETIEN

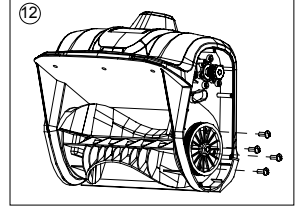
REPLACEMENT DE LA TURBINE



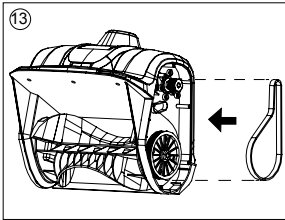
- Remplacez et serrez l'écrou restant afin de fixer la plaque latérale gauche.



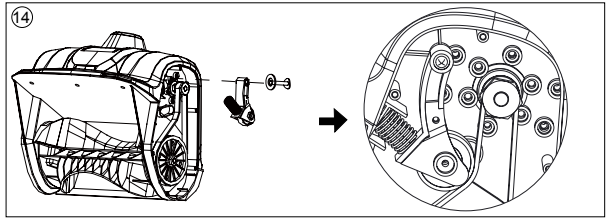
- Remplacez et serrez les écrous restants afin de fixer la plaque latérale gauche.



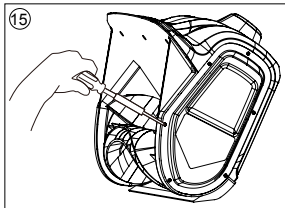
- Remplacez et serrez les écrous restants afin de fixer l'assemblage de la poulie.



- Remplacez la courroie en place.



- Remplacez le tendeur de courroie (bras de la poulie).



- Remplacez et serrez les écrous restants afin de fixer la plaque latérale droite.

MISE AU REBUT DE LA BATTERIE DE FAÇON ÉCOLOGIQUE

Les matériaux toxiques et corrosifs suivants se trouvent dans les éléments composant la batterie de cet outil : **Li-ion, matériau toxique.**



⚠ A V E R T I S S E M E N T

Toutes les substances toxiques doivent être éliminées d'une manière permettant d'éviter la contamination de l'environnement. Avant d'éliminer les batteries au lithium-ion endommagées ou usées, communiquez avec le service d'élimination des déchets ou l'agence pour la protection de l'environnement de votre région afin d'obtenir des renseignements et des instructions précises. Apportez les batteries à un centre local de recyclage ou d'élimination où le traitement des batteries est autorisé. Si la batterie est fendue ou brisée, ne la chargez pas et ne l'utilisez pas, et ce, qu'elle présente une fuite ou non. Éliminez-la et remplacez-la par une nouvelle batterie. **NE TENTEZ PAS DE RÉPARER LA BATTERIE!**

Suivez les consignes suivantes pour éviter les blessures, les risques d'incendie, d'explosion et de choc électrique, ainsi que les dommages causés à l'environnement:

- Couvrez les bornes de la batterie à l'aide d'un ruban adhésif très résistant.
 - Ne tentez pas de retirer ou de détruire les composants de la batterie.
 - Ne tentez pas d'ouvrir la batterie.
 - Les électrolytes rejetés lors d'une fuite sont corrosifs et toxiques. Évitez tout contact de la solution avec les yeux et la peau et ne l'avalez pas.
 - Ne jetez pas les batteries avec vos ordures ménagères.
 - **N'INCINÉREZ PAS** les batteries.
 - **NE PLACEZ PAS** les batteries de façon à ce qu'elles se retrouvent dans un site d'enfouissement ou dans les déchets solides recueillis par la municipalité.
 - Apportez les batteries à un centre de recyclage ou d'élimination certifié.
-

DÉPANNAGE

| PROBLÈME | CAUSE POSSIBLE | SOLUTION |
|---|--|---|
| La pelle ne démarre pas. | La batterie est à plat. | Chargez la batterie en suivant les procédures dans le manuel de batterie et chargeur. |
| | Le bouton de déverrouillage ou la détente n'ont pas été utilisés correctement. | Pressez et maintenez enfoncé le bouton de verrouillage puis pressez la gâchette. |
| | La batterie est trop froide. | Retirer la batterie de la pelle. Mettre la batterie sur le chargeur et laisser charger pour 10 minutes afin de permettre à la batterie de se réchauffer. Retirer du chargeur et installer dans la pelle pour être utilisée. |
| | La batterie n'est pas entièrement insérée dans son socle. | Vérifiez si la batterie est entièrement insérée dans son socle. |
| | La batterie peut nécessiter un entretien ou un remplacement. | Appelez le Service d'assistance téléphonique sans frais au 1(855) 345-3934 ou remplacez la batterie. |
| Le moteur fonctionne mais la lame ne tourne pas. | La courroie est endommagée. | Remplacez la courroie. |
| La Pelle laisse une mince couche de neige au sol. | Le grattoir est usé. | Remplacez le grattoir. |

GARANTIE DE RÉPARATION DE 4 ANS



Ce produit est garanti par les présentes pour une période de quatre (4) ans par GREENWORKS au premier acheteur sur présentation d'une preuve d'achat, contre tout défaut causé par des vices de matériaux, de pièces ou de fabrication. GREENWORKS, à sa discrétion, procédera aux réparations ou au remplacement des pièces défectueuses montrant une utilisation normale, sans frais pour le client. Cette garantie n'est valide que pour les appareils destinées à un usage personnel ou qui n'ont pas été louées ou utilisées à des fins industrielles ou commerciales et qui ont été entretenues selon les instructions du guide d'utilisation remis à l'achat du produit.

LES ARTICLES PAS COUVERT PAR GARANTIE :

1. Toute pièce qui devient défectueuse en raison de mauvaise utilisation, d'utilisation à des fins commerciales, d'usage abusif, de négligence, d'accidents, de mauvais entretien ou d'altérations; ou
2. L'appareil s'il n'a pas été utilisé et/ou entretenu conformément aux instructions contenues dans le manuel; ou
3. L'usure normale sauf dans les cas mentionnés ci-dessous; ou
4. Les travaux d'entretien courant tels que la lubrification, l'affûtage de la lame; ou
5. La détérioration normale du fini extérieur due à l'utilisation ou à l'exposition.

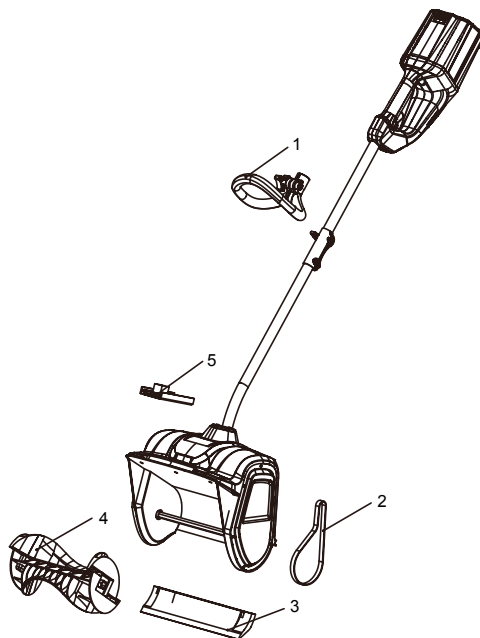
GREENWORKS SERVICE D'ASSISTANCE (1(855)345-3934):

Le service de garantie est disponible en appelant notre service d'assistance gratuit à **1(855)345- 3934**.

FRAIS DE TRANSPORT :

Les frais de transport de tout appareil motorisé ou accessoire connexe sont la responsabilité de l'acheteur. Dans le cadre de la présente garantie, les frais de transport de toute pièce retournée pour remplacement doivent être payés par l'acheteur à moins qu'un tel retour ne soit à la demande écrite de **GREENWORKS**.

VUE ÉCLATÉE/LISTE DES PIÈCES



| NO DE RÉF. | NO DE PIÈCE | DESCRIPTION | QTÉ |
|------------|-------------|--------------------|-----|
| 1 | 311041429 | Poignée auxiliaire | 1 |
| 2 | 329011468 | Ceinture | 1 |
| 3 | 341041468 | Grattoir | 1 |
| 4 | 341031468 | Lame pivotante | 1 |
| 5 | 362011479AB | Panneau PCB | 1 |

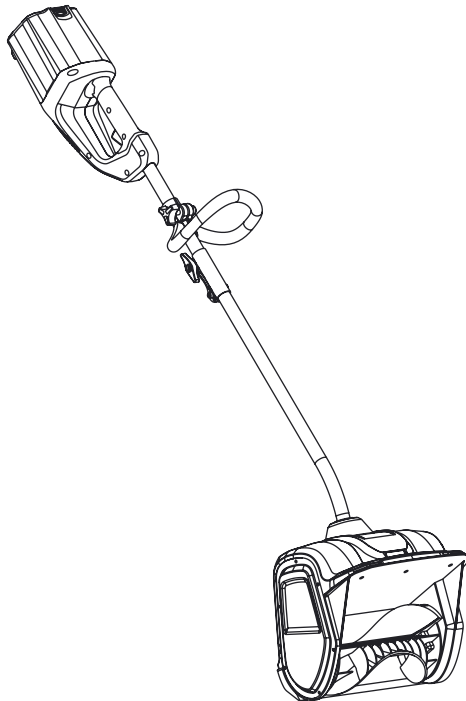


Greenworks Tools
PO Box 1238
Mooresville, NC 28115

LIGNE D'ASSISTANCE SANS FRAIS: 1(855)345-3934



Pala de nieve Inalámbrica de 80V
2601202 (GLSS80000)



Manual Del Propietario

LÍNEA GRATUITA LÍNEA DE AYUDA: 1(855)345-3934

www.GreenWorksTools.com

⚠ Leer todas las normas de seguridad y las instrucciones cuidadosas antes de utilizar esta herramienta.

CONTENIDOS

| | |
|--|----|
| Contenidos..... | 2 |
| Especificaciones..... | 2 |
| Reglas de seguridad..... | 3 |
| Símbolos..... | 6 |
| Diagrama y ubicación de piezas..... | 8 |
| Ensamblado..... | 9 |
| Funcionamiento..... | 13 |
| Mantenimiento..... | 15 |
| Eliminación de la batería que no daña el medio ambiente..... | 19 |
| Corrección De Problemas..... | 20 |
| Garantía..... | 21 |
| Vista desarrollada/Lista de piezas..... | 22 |

ESPECIFICACIONES

PALA DE NIEVE INALÁMBRICA DE 12" 80V

| | |
|------------------------------|---------------------------|
| Motor..... | Motor sin escobillas 80 V |
| Tipo de batería..... | ión de litio de 80 V |
| Velocidad..... | 1800 RPM |
| Ancho de trabajo..... | 30 cm (12 pulgadas) |
| Profundidad de limpieza..... | 15,2 cm (6 pulgadas) |
| Tamaño del impulsor..... | 27,8 cm (11 pulgadas) |
| Distancia de descarga..... | 6 m (20 pies) |
| Peso (con la batería)..... | 8,7 kg (19,2 lbs) |

Operación en Clima Frío : Baterías de ion de litio pueden ser utilizadas con seguridad entre temperaturas de -17 grados a 45 grados celsius. TOME NOTA: No mantenga o cargue la batería afuera. La batería debe ser guardada y cargada adentro antes de ser usada con la pala de nieve.

La batería no va iniciar correctamente si su temperatura esta menos de -17°C. Si la máquina no empieza, retire la batería. Coloque la batería en el cargador y deje cargar por 10 minutos para permitir que la batería se entibie. Luego retire de el cargador para usar con la pala de nieve.

REGLAS DE SEGURIDAD

LEA TODAS LAS INSTRUCCIONES ANTES DEL PRIMER USO (DEL APARATO)

⚠ ADVERTENCIA

LEA Y COMPRENDA TODAS LAS INSTRUCCIONES ANTES DE USAR ESTE PRODUCTO. El incumplimiento de las instrucciones siguientes puede ser causa de descargas eléctricas, incendios y lesiones personales graves.

- Camine. No corra.
 - Antes de encender la herramienta eléctrica, compruebe que no esté en contacto con nada.
 - En todo momento manténgase alejado de la apertura para descarga. Aleje la cara, manos y pies de las piezas ocultas, en movimiento o rotatorias.
 - Preste atención cuando utilice la herramienta eléctrica, y permanezca alerta ante los posibles agujeros en el terreno y otros peligros ocultos, así como al tráfico.
 - Al limpiar la nieve muévase de arriba abajo en las pendientes. No cruce las pendientes lateralmente. Tenga precaución al cambiar de dirección. No use la máquina quitanieve para quitar nieve de pendientes muy inclinadas.
 - No utilice la herramienta eléctrica si no están colocados en su lugar los protectores, placas y otros dispositivos de seguridad.
 - No utilice la herramienta eléctrica cerca de cerramientos acristalados, automóviles, camiones, pozos de ventanas, pendientes, etc. sin haber ajustado adecuadamente el ángulo de descarga de nieve. Mantenga a los niños y mascotas lejos del área de trabajo.
 - No utilice la herramienta eléctrica a altas velocidades en superficies resbaladizas. Mire hacia atrás y tenga cuidado cuando retroceda.
 - Al usar la máquina quitanieve use anteojos o gafas de seguridad que cumplan con las normas ANSI Z87.1.
 - Utilice la herramienta eléctrica solo a plena luz del día o cuando haya una iluminación artificial adecuada. Si la utiliza por la noche, encienda las luces LED y esté atento al entorno.
 - Para evitar arranques accidentales, permanezca en la posición inicial cuando encienda la herramienta. El usuario y la herramienta eléctrica deben estar en una posición estable al arrancar. Consulte el apartado "Encendido y apagado".
 - Use esta herramienta eléctrica solo para los fines para los que ha sido diseñada.
 - Sujete la herramienta con las dos manos mientras la utiliza. Agarre el manillar firmemente.
 - Si el impulsor no gira libremente porque hay hielo, descongele a fondo la herramienta antes de usarla.
 - Mantenga el propulsor libre de residuos.
 - No intente limpiar el propulsor mientras el motor esté en marcha.
 - Si se golpea un objeto extraño, apague la herramienta eléctrica, quite el paquete de baterías, e inspeccione la herramienta para ver si se ha dañado. Repare cualquier daño antes de volver a arrancar y usar la herramienta.
 - Si la herramienta empieza a vibrar de forma inusual, párela inmediatamente e intente averiguar la causa. Las vibraciones suelen indicar peligro.
 - Pare el motor y retire la batería siempre que usted no opere con ella, antes de destapar el
-

REGLAS DE SEGURIDAD

- propulsor y antes de proceder a cualquier tipo de reparación, ajuste o comprobación.
- No utilice la máquina en una superficie con grava, a menos que esté ajustada para este tipo de superficies según el manual del usuario.
- Mantenga a los niños a distancia - Todos los visitantes deben mantenerse a una distancia segura del área de trabajo.
- Vístase de manera adecuada - No use ropa suelta o joyas. Pueden quedar atrapados en las piezas móviles.
- Lleve botas de goma cuando maneje la herramienta eléctrica. No use la herramienta estando descalzo o con sandalias. Lleve siempre calzado robusto.
- No es seguro manejar la herramienta en la posición que se usa para sujetarla con la mano, excepto conforme a las instrucciones especiales para tal uso que se indican en el manual del usuario.
- Asegúrese siempre de utilizar la herramienta con todos sus dispositivos de protección correctamente instalados y en buen estado.
- No fuerce la herramienta: funcionará mejor y de forma más segura a la velocidad de funcionamiento para la que ha sido diseñada.
- No estire - Mantenga la postura y el equilibrio en todo momento.
- Si la herramienta golpea un objeto extraño, realice los pasos siguientes:
 - i) Pare la herramienta eléctrica.
 - ii) Inspeccione si hay daños.
 - iii) Repare cualquier daño antes de volver a arrancar y usar la herramienta.
- Guarde la herramienta en un lugar interior: cuando no se utilicen, las herramientas eléctricas deben guardarse en un lugar interior, seco y cerrado con llave, fuera del alcance de los niños.
- Mantenga las herramientas eléctricas con cuidado: siga las instrucciones para la lubricación y el cambio de accesorios.
- Deje que la herramienta siga funcionando durante algunos minutos después de quitar la nieve, para que las piezas móviles no se congelen.
- Utilice solo piezas de recambio idénticas y accesorios adecuados para esta herramienta. El uso de accesorios y piezas de recambio que no sean idénticos podría provocar lesiones graves al usuario o dañar la herramienta, y se anulará la garantía.
- No levante la herramienta eléctrica mientras esté en funcionamiento. La herramienta ha sido diseñada para desplazarse sobre el suelo.
- Nunca permita que los niños utilicen esta herramienta eléctrica. Mantenga alejadas de la zona de utilización a todas las personas, en especial a los niños pequeños, así como a las mascotas.
- Examine minuciosamente la zona donde vaya a utilizarse el aparato y elimine piedras, ramas, cables, huesos o cualquier otro objeto extraño.
- Detenga la cuchilla o las cuchillas al cruzar con el aparato superficies de grava, caminos, calles, etc.
- Lea el manual del operador con atención. Familiarícese por completo con los controles y el uso de este equipo.

REGLAS DE SEGURIDAD

REGLAS GENERALES DE SEGURIDAD

- Verifique que la herramienta eléctrica esté segura durante el traslado.
- Almacene la herramienta eléctrica en un lugar seco para evitar el uso no autorizado o daños. Manténgala alejada del alcance de los niños.
- Mantenga las manijas secas, limpias y libres de desechos. Limpie la herramienta eléctrica después de cada uso. Para obtener más información, consulte la sección de Mantenimiento de este manual.
- Si las etiquetas en la herramienta eléctrica se deterioran o comienzan a levantarse, póngase en contacto con el Servicio al Cliente al 1(855)345-3934.
- Guarde estas instrucciones en un lugar seguro para referencia futura. Consúltelas periódicamente y úselas para instruir a otros usuarios. Cualquier persona que use esta herramienta eléctrica debe leer con atención estas instrucciones.
- Realice un mantenimiento adecuado de la herramienta eléctrica. Siga las instrucciones para lubricar y reemplazar accesorios.

⚠ PRECAUCIÓN

UTILICE BATERÍAS DE REPUESTO APROBADAS ÚNICAMENTE. OTRAS BATERÍAS PUEDEN OCASIONAR DAÑOS A LA PODADORA. ÚSESE CON BATERÍAS GREENWORKS 80 V (Modelo#: 2901302 Y OTRAS SERIES BAB) Y CARGADOR GREENWORKS 80 V (Modelo#: 2901402 Y OTRAS SERIES CAB).

⚠ ADVERTENCIA (PROPUESTA 65)

Este producto contiene un producto químico conocido en el Estado de California por: producir cáncer, malformaciones de nacimiento/ anomalías congénitas u otros daños reproductivos.

El polvo creado al lijar, cortar, moler, perforar y otras actividades de construcción contiene sustancias químicas que causan cáncer, defectos de nacimiento u otros daños reproductivos. Algunos ejemplos de estos productos químicos son:





- El plomo de las pinturas a base de plomo
- La sílice cristalina de ladrillos y cemento y otros productos de albañilería, y
- El arsénico y el cromo de la madera tratada químicamente.

El riesgo de exposición a estos químicos varía en función de la frecuencia con que realiza este tipo de trabajo. Para reducir su exposición a estas sustancias químicas, trabaje en un área bien ventilada y con equipos de seguridad aprobados, como mascarillas contra el polvo especialmente diseñadas para filtrar partículas microscópicas.

GUARDAR ESTAS INSTRUCCIONES

SÍMBOLOS

Algunos de los siguientes símbolos pueden ser usados en este producto. Obsérvelos y aprenda su significado. Una correcta interpretación de estos símbolos le permitirá utilizar el producto mejor y de una forma más segura.

| SÍMBOLO | DENOMINACIÓN/EXPLICACIÓN |
|---|---|
| V | Voltaje |
| A | Corriente |
| Hz | Frecuencia (ciclos por segundo) |
| Wh | Vatio/hora – Capacidad de almacenamiento de energía |
| Ah | Amperio/hora – Capacidad de corriente |
| DC | Corriente directa |
| --- | Tipo o característica de corriente |
| RPM | Revoluciones por minuto |
|  | Fabricación con doble aislamiento |
| /min | Revoluciones, carreras, velocidad superficial, órbitas, etc. por minuto |
|  | Indica un peligro posible de lesiones personales. |
|  | Para reducir el riesgo de lesiones, el usuario debe leer y comprender el manual del operador antes de usar este producto. |
|  | Use protectores auditivos en todo momento durante el funcionamiento de la máquina. |
|  | Siempre póngase protección ocular con la marca de cumplimiento de la norma ANSI Z87.1. |
|  | Pare la máquina y retire el paquete de baterías antes de dejarla. |
|  | Cualquier objeto lanzado puede rebotar y producir lesiones personales o daños físicos. |
|  | Peligro – Mantenga las manos y los pies alejados de las ranuras, mientras que la máquina esté en funcionamiento. No utilizar las manos para desatascar el conducto. Parar el motor y retirar la batería antes de quitar los desechos. |
|  | Mantenga a los espectadores a una distancia segura de la herramienta. |
|  | Manténgase alejado de las piezas móviles, mantener todas las protecciones en su |
|  | Mantenga las manos y los pies alejados. |
|  | Mantenga las manos fuera del área de descarga. |

SÍMBOLOS

Las siguientes palabras de señalización y sus significados tienen el objeto de explicar los niveles de riesgo relacionados con este producto.

| SÍMBOLO | SEÑAL | SIGNIFICADO |
|---------|--------------------|---|
| | PELIGRO | Indica una situación peligrosa inminente, la cual, si no se evita, causará la muerte o lesiones serias. |
| | ADVERTENCIA | Indica una situación peligrosa posible, la cual, si no se evita, podría causar la muerte o lesiones serias. |
| | PRECAUCIÓN | Indica una situación potencialmente peligrosa la cual, si no se evita, puede causar lesiones leves o moderadas. |
| | PRECAUCIÓN | (Sin el símbolo de alerta de seguridad) Indica una situación que puede producir daños materiales. |

SERVICIO

El servicio de la producto requiere extremo cuidado y conocimientos técnicos, por lo cual sólo debe ser efectuado por un técnico de servicio calificado. Para dar servicio a la herramienta, le sugerimos llevarla al **ESTABLECIMIENTO DE SERVICIO AUTORIZADO** de su preferencia para que la reparen. Al dar servicio a la unidad, sólo utilice piezas de repuesto idénticas.

A D V E R T E N C I A

Para evitar lesiones corporales serias, no intente utilizar este producto sin haber leído y comprendido totalmente el manual del operador. Si no comprende los avisos de advertencia y las instrucciones del manual del operador, no utilice este producto. Llame al departamento de atención al consumidor (1(855)345-3934), y le brindaremos asistencia.

A D V E R T E N C I A



Cualquier producto en funcionamiento puede lanzar objetos hacia los ojos, lo cual puede causar serios daños a los mismos. Antes de iniciar la operación de herramientas de corriente, siempre utilice gafas de seguridad, gafas de seguridad con protección lateral, y en la medida en que sea necesario, un protector para toda la cara. Recomendamos la careta protectora de visión amplia encima de los anteojos normales, o los anteojos protectores estándar con protección lateral. Siempre póngase protección ocular con la marca de cumplimiento de la norma ANSI Z87.1.

GUARDAR ESTAS INSTRUCCIONES

DIAGRAMA Y UBICACIÓN DE PIEZAS

Lea el manual del operador y las normas de seguridad antes de manejar la pala de nieve. Compare la ilustración en Fig. 1 con la podadora para familiarizarse con la ubicación de los diferentes controles y ajustes. Guarde este manual para referencia futura.

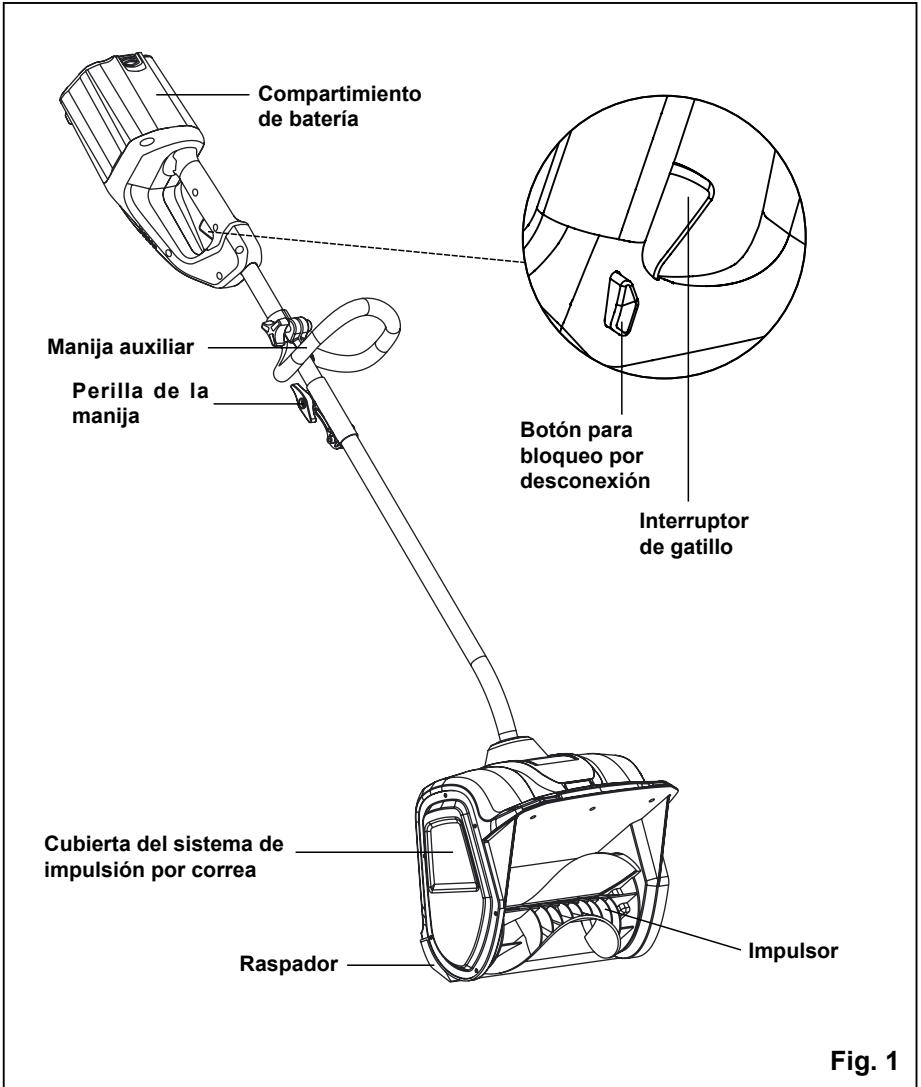
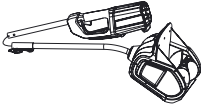




Fig. 1

INSTRUCCIONES DE ENSAMBLADO

LISTA DE PIEZAS

| NOMBRE DE LAS PIEZAS | FIGURA | CDAD. |
|----------------------|---|-------|
| Pala de nieve |  | 1 |
| Manija auxiliar |  | 1 |
| Manual |  | 1 |

DESEMPAQUETADO

- Extraiga cuidadosamente de la caja la herramienta y los accesorios. Asegúrese de que estén presentes todos los artículos enumerados en la lista de empaquetado.
- Inspeccione cuidadosamente la herramienta para asegurarse de que no haya sufrido ninguna rotura o daño durante el transporte.
- No deseche el material de empaquetado hasta que haya inspeccionado cuidadosamente la herramienta y la haya utilizado satisfactoriamente.
- Si hay piezas dañadas o faltantes, le suplicamos llamar al 1(855)345-3934, donde le brindaremos asistencia.

⚠ ADVERTENCIA

Si hay piezas dañadas o faltantes, no utilice este producto sin haber reemplazado todas las piezas. La inobservancia de esta advertencia podría causar lesiones serias.

⚠ ADVERTENCIA

No introduzca la paquete de baterías sin haber terminado de armarla. De lo contrario la unidad puede ponerse en marcha accidentalmente, con el consiguiente riesgo de lesiones serias.

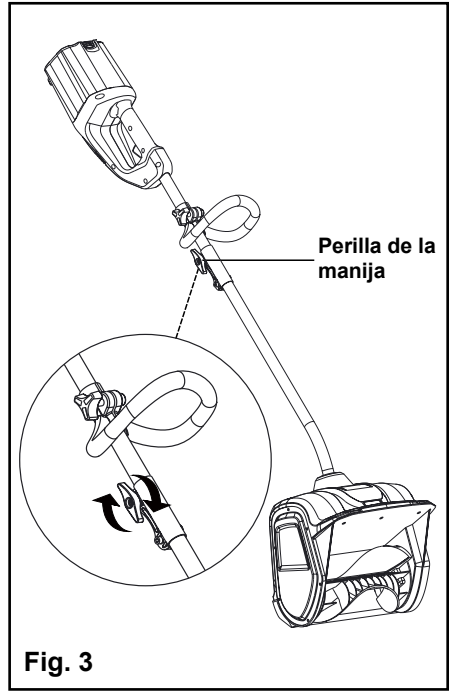
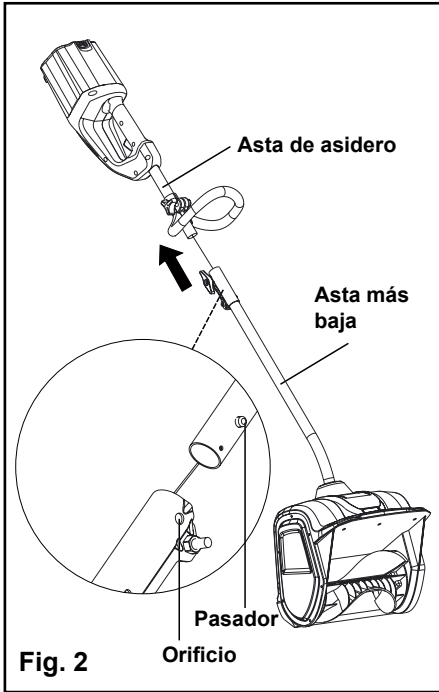
⚠ ADVERTENCIA

No intente modificar este producto ni hacer accesorios no recomendados para el mismo. Cualquier alteración o modificación constituye maltrato y puede causar una condición peligrosa, y como consecuencia posibles lesiones serias.

INSTRUCCIONES DE ENSAMBLADO

CONECTAR LAS ASTAS *(Consulte la figuras 2-3)*

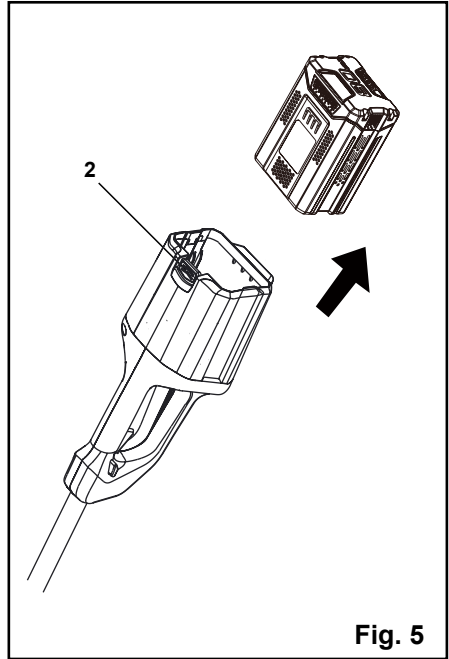
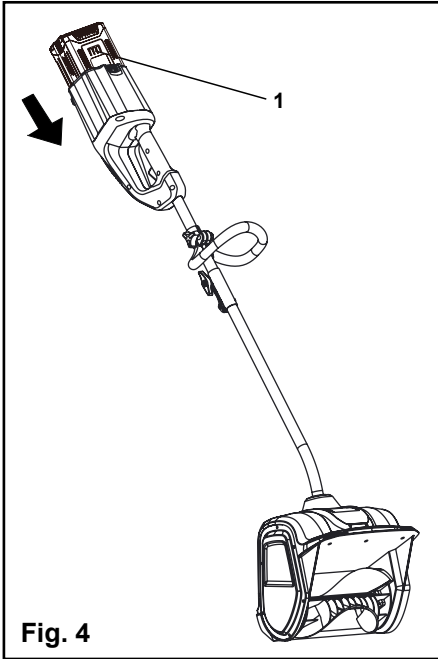
- Alinee el perno del tubo de la empuñadura y el agujero del tubo inferior. (Fig. 2)
- Gire la palanca de bloqueo hacia la derecha hasta que quede completamente apretada. (Fig. 3)



INSTRUCCIONES DE ENSAMBLADO

INSTALACIÓN DEL PAQUETE DE BATERÍAS (Consulte la figura 4)

- Deslice la batería (1) hacia abajo para trazarla en su posición correcta. La batería está completamente insertada en el quitanieve cuando se escucha un “clic”.



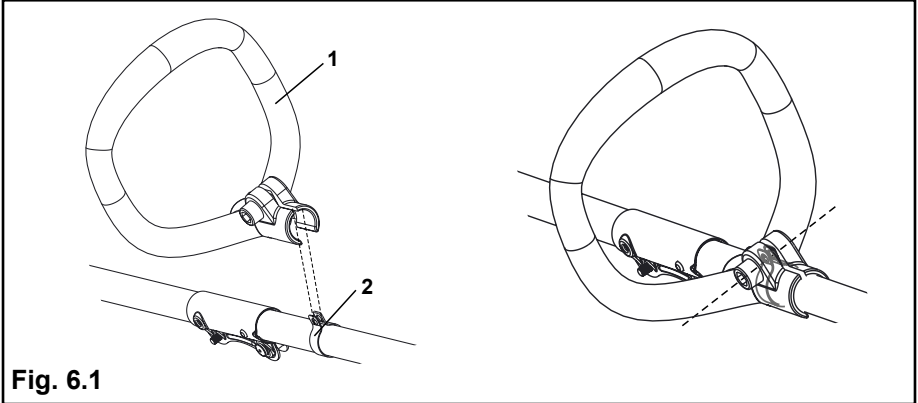
EXTRAER LA BATERÍA (Consulte la figura 5)

- Suelte el interruptor de gatillo. El botón para bloqueo por desconexión salta y la pala de nieve se detiene.
- Pulse y mantenga pulsado el botón del cierre de la batería (2) de la parte trasera de la empuñadura.
- Retire la batería del producto.

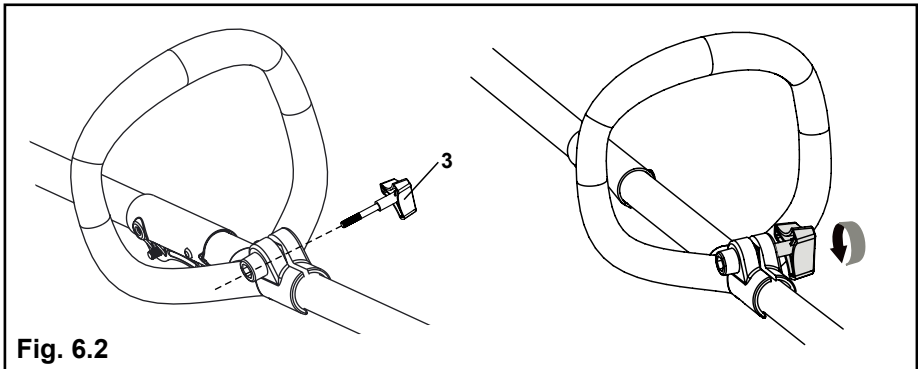
INSTRUCCIONES DE ENSAMBLADO

FIJACIÓN DEL MANGO DELANTERO (Vea la figura 6)

- Presione el mango (1) delantero en el eje de la cabeza motriz de manera que el mango está inclinado hacia el mango trasero.
- Deslice el mango auxiliar en la anilla metálica (2) y asegúrese de que la anilla encaja entre la ranura del mango auxiliar.



- Alinee los orificios del mango auxiliar con los orificios de la anilla metálica.
- Inserte la perilla del mango (3) a través del mango auxiliar.
- Apriétela hasta que el mango no se mueva.



INSTRUCCIONES DE USO

CÓMO ARRANCAR LA PALA DE NIEVE (Consulte la figuras 7-8)

Para evitar lesiones graves, el operador y la unidad deben estar en una posición estable al arrancar la pala de nieve.

Siga exactamente la siguiente secuencia para arrancar la pala de nieve.

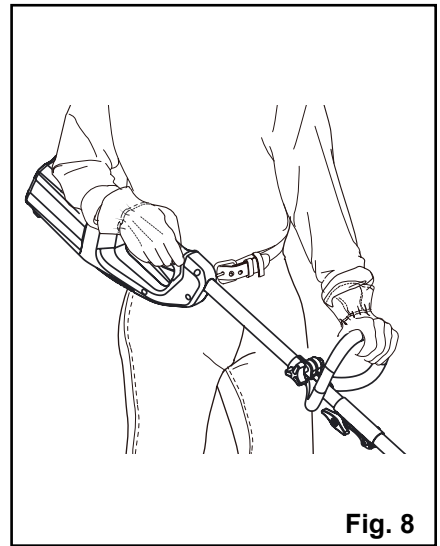
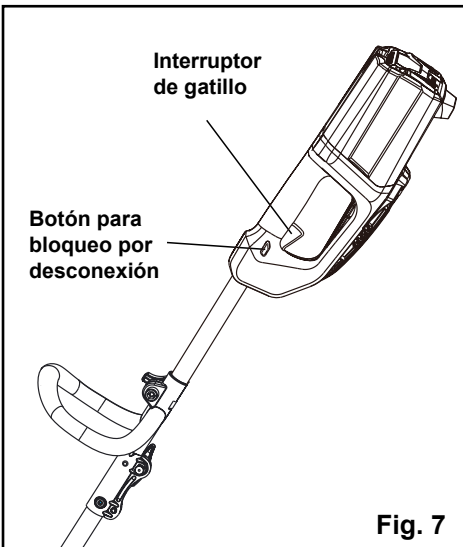
- Compruebe que la batería está insertada en el compartimento de la batería.
- Presione y sostenga el botón para bloqueo por desconexión.
- Mientras sostiene el botón para bloqueo por desconexión, presione y sostenga el interruptor de gatillo.

NOTA: La pala de nieve no arranca si el botón para bloqueo por desconexión no se sostiene hasta presionar el interruptor de gatillo. Una vez que apriete el gatillo y la unidad arranque, suelte el botón de bloqueo.

- Sostenga las manijas y comience a usar la pala de nieve.

CÓMO APAGAR LA PALA DE NIEVE (Consulte la figura 7)

- Suelte el interruptor de gatillo.
- El botón para bloqueo por desconexión salta y la pala de nieve se detiene.



INSTRUCCIONES DE USO

CÓMO USAR LA PALA DE NIEVE (Consulte la figura 9)

- Arranque la pala de nieve siguiendo las instrucciones de arranque. La velocidad hacia adelante se determina por la profundidad y peso de la nieve.
- Empuje la pala de nieve hacia delante de manera que se apoye en el raspador.



MANTENIMIENTO

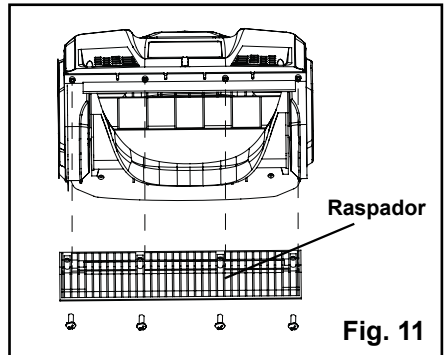
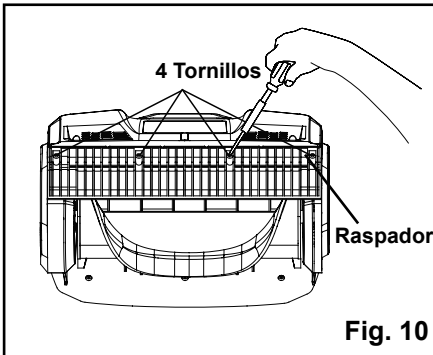
CÓMO REEMPLAZAR EL RASPADOR (Consulte la figuras 10-11)

⚠ ADVERTENCIA

PARA EVITAR LESIONES PERSONALES GRAVES, APAGUE LA PALA Y RETIRE LA BATERÍA ANTES DE HACER EL MANTENIMIENTO.

Use solamente repuestos originales del fabricante.

- Coloque la pala de nieve en el suelo o en un banco de trabajo. Coloque la pala de nieve de manera que el impulsor se encuentre hacia arriba.
- Con un desatornillador en cruz quite los cuatro tornillos que se encuentran debajo del impulsor y que aseguran el raspador a la carcasa. (Fig. 10)
- Quite el raspador y deséchelo de la manera apropiada. (Fig. 11)
- Coloque un raspador nuevo en su lugar y sujételo a la pala de nieve colocando de nuevo los cuatro tornillos.



MANTENIMIENTO

ALMACENAMIENTO

- Deje que el motor se enfríe antes de almacenarlo.
- Almacene la pala de nieve en un lugar bajo llave para evitar el uso no autorizado y los daños.
- Almacene la pala de nieve en un área seca y bien ventilada.
- Almacene la pala de nieve fuera del alcance de los niños.

LIMPIEZA

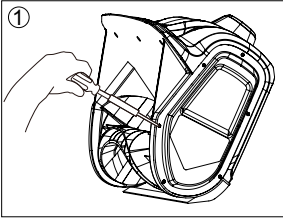
- Para evitar lesiones personales graves, apague la pala de nieve y retire la batería antes de limpiarla o hacer tareas de mantenimiento.
- Use una brocha pequeña para limpiar el exterior de la pala de nieve. No use detergentes fuertes. Los limpiadores caseros que contienen aceites aromáticos tales como pino o limón y los solventes tales como kerosén pueden dañar la carcasa de plástico y las manijas. Use un paño suave y seco para eliminar la humedad.

CÓMO TRANSPORTAR EL PALA DE NIEVE

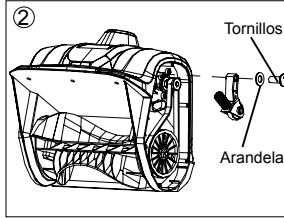
- Deje que el motor se enfríe antes de transportarlo.
- Asegure la pala de nieve al transportarlo.
- Para transportar la pala de nieve, sujétela por la empuñadura y por la empuñadura auxiliar.

MANTENIMIENTO

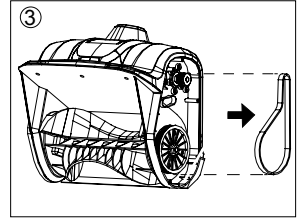
CÓMO REEMPLAZAR EL IMPULSOR



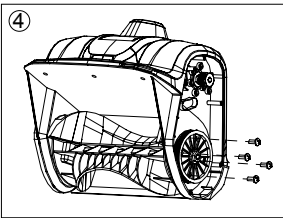
- Retire la cubierta derecha desatornillando los 6 tornillos.



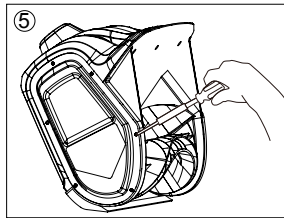
- Tire del tensor de la correa (brazo tensor) hacia fuera del rodillo motriz. Asegúrese de no perder la arandela ni el tornillo izquierdo.



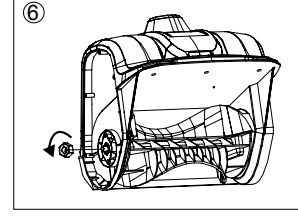
- Retire la correa.



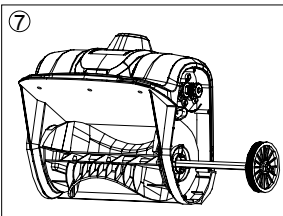
- Retirar los 4 tornillos.



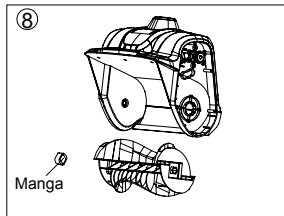
- Retire la cubierta izquierda desatornillando los 6 tornillos.



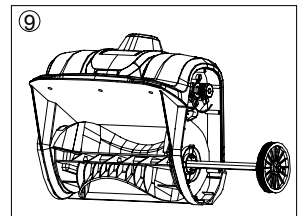
- Suelte la tuerca que sujeta la placa del lado izquierdo.



- Quite el eje propulsor con todo el rodillo incluido.



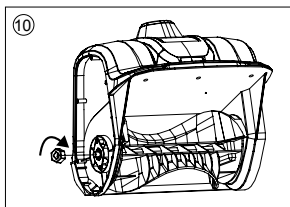
- Retire el eje propulsor viejo o dañado. Asegúrese de no perder el manguito que sujeta el lado izquierdo del eje.



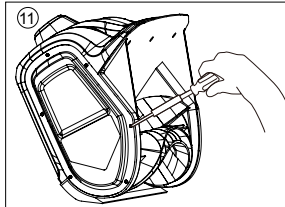
- Inserte el eje propulsor con todo el rodillo incluido en el nuevo eje propulsor. Asegúrese de volver a colocar el manguito de sujeción que cierra el lado izquierdo del eje.

MANTENIMIENTO

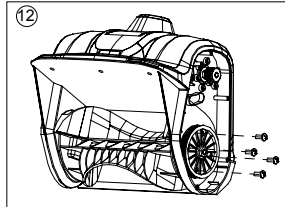
CÓMO REEMPLAZAR EL IMPULSOR



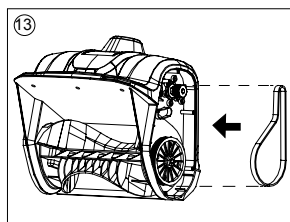
- Coloque y apriete la tuerca restante para ensamblar la placa izquierda.



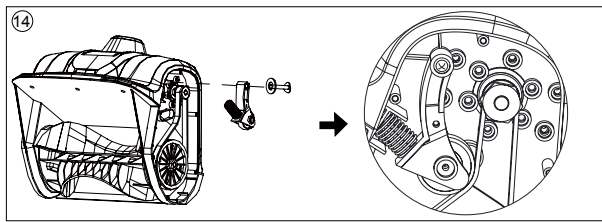
- Coloque y apriete los tornillos restantes para ensamblar la cubierta izquierda.



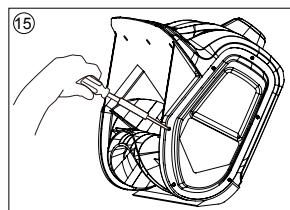
- Coloque y apriete los tornillos restantes para ensamblar el rodillo.



- Coloque la correa de nuevo en su lugar.



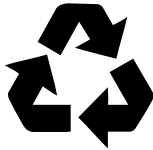
- Coloque el tensor de la correa (brazo tensor) de nuevo en su lugar.



- Coloque y apriete los tornillos restantes para ensamblar la cubierta derecha.

ELIMINACIÓN DE BATERÍAS SIN DAÑO PARA EL AMBIENTE

Las baterías utilizadas en esta herramienta contienen los siguientes materiales tóxicos y corrosivos: **Litio-ión, un material tóxico.**



⚠ A D V E R T E N C I A

Se debe desechar los materiales tóxicos de la forma especificada para evitar contaminar el medio ambiente. Antes de desechar los paquetes de baterías de ión de litio dañados o desgastados, póngase en contacto con su agencia local para eliminación de desechos para obtener información e instrucciones específicas. Lleve las baterías a un centro local para reciclaje o eliminación, certificado para eliminación. Si el paquete de baterías se raja o se quiebra, ya sea que tenga fugas o no, no lo vuelva a cargar y no lo use. Deséchelo y reemplácelo con un paquete de baterías nuevo. ¡NO INTENTE REPARARLA!

Obedezca las siguientes instrucciones para evitar lesiones y riesgos de incendio, explosión o choques eléctricos y para evitar daños al medio ambiente:

- Para evitar lesiones y riesgo de incendio, explosión y descarga eléctrica, así como daños al medio ambiente: Cubra las terminales de la batería con cinta adhesiva para trabajo pesado.
 - NO intente retirar ni destruir ninguno de los componentes del paquete de batería.
 - NO intente abrir el paquete de batería.
 - Si se produce una fuga, los electrolitos liberados son corrosivos y tóxicos. NO introduzca el líquido en los ojos, no lo coloque en la cara ni lo trague.
 - NO coloque las baterías en la basura común de su casa.
 - NO las incinere.
 - NO las coloque en lugares en los que formarán parte de cualquier basural o flujo municipal de residuos sólidos.
 - Colóquelas en un centro de reciclaje o eliminación certificado.
-

SOLUCIÓN DE PROBLEMAS

| PROBLEMA | CAUSA POSIBLE | SOLUCIÓN |
|--|--|---|
| La pala de nieve no arranca. | La batería no tiene carga. | Cargue la batería siguiendo los procedimientos del manual de la batería y el cargador. |
| | El botón para bloqueo por desconexión o el interruptor de gatillo no fueron usados apropiadamente. | Pulse y mantenga pulsado el botón de bloqueo. Mientras mantiene el botón de bloqueo pulsado, apriete el gatillo interruptor. |
| | La batería está demasiado fría. | Retire la batería. Coloque la batería en el cargador y deje cargar por 10 minutos para permitir que la batería se entibie. Luego retire de el cargador para usar con la quitanieve. |
| | La batería no está bien colocada en el compartimento. | Compruebe que la batería está bien colocada en el compartimento. |
| | La batería puede requerir servicio o reemplazo. | Llame a la línea telefónica gratis para ayuda 1(855)345-3934 o reemplace la batería. |
| El motor está encendido, pero el rotor no gira | La correa está dañada. | Reemplace la correa. |
| La pala de nieve deja una capa delgada de nieve. | El raspador está desgastado. | Reemplace el raspador. |

GARANTÍA LIMITADA DE 4 AÑOS



Por este medio y por un período de cuatro años GREENWORKS garantiza este producto contra defectos en materiales, piezas o mano de obra al comprador original que cuente con una prueba de compra. GREENWORKS, a su sola discreción reparará o reemplazará, sin costo alguno para el cliente, cualquier pieza defectuosa, siempre y cuando se haya hecho uso normal de ella. Esta garantía es válida solamente para unidades utilizadas de manera personal y que no hayan sido utilizadas o alquiladas para uso industrial o comercial, y que hayan recibido mantenimiento de acuerdo a las instrucciones que aparecen en el manual del propietario que se suministró con el producto nuevo.

ARTÍCULOS QUE NO CUBRE LA GARANTÍA:

1. Cualquier pieza que se haya vuelto inoperante debido a mal uso, uso comercial, abuso, descuido, accidente, mantenimiento inapropiado o alteración; o
2. La unidad, si no ha sido operada o si no se le ha dado mantenimiento de acuerdo al manual del propietario; o
3. Desgaste normal, excepto según se indica a continuación;
4. Artículos de mantenimiento rutinario tales como lubricantes, raspador, impulsor;
5. Deterioro normal del acabado exterior debido al uso y la exposición al entorno.

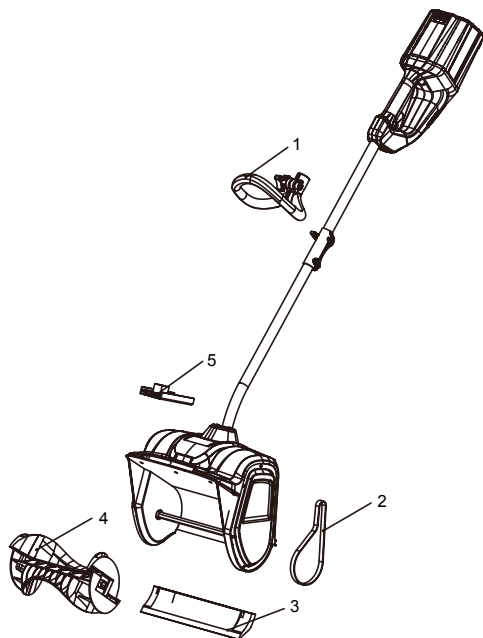
LÍNEA TELEFÓNICA PARA AYUDA DE GREENWORKS (1(855)345-3934):

Se puede obtener servicio relacionado con la garantía llamando de lunes a viernes entre el **1(855)345-3934**.

CARGOS DE TRANSPORTE

Los cargos de transporte por el traslado de cualquier unidad de equipo o accesorio eléctrico son responsabilidad del comprador. El comprador es responsable de pagar los cargos de transporte de cualquier pieza presentada para reemplazo de acuerdo a esta garantía a menos que **GREENWORKS** solicite por escrito tal retorno.

VISTA DESARROLLADA/LISTA DE PIEZAS



| ARTÍCULO NO. | PARTE NO. | DESCRIPCIÓN | CDAD. |
|--------------|-------------|--------------------------------|-------|
| 1 | 311041429 | Conjunto de la manija auxiliar | 1 |
| 2 | 329011468 | Correa | 1 |
| 3 | 341041468 | Raspador | 1 |
| 4 | 341031468 | Impulsor | 1 |
| 5 | 362011479AB | Placa PCB | 1 |



Greenworks Tools
PO Box 1238
Mooresville, NC 28115

LÍNEA DE AYUDA GRATUITA: 1(855)345-3934

