

Features

- Made from premium materials that withstand high-volume usage
- Constructed of vitreous china
- 20-3/4"L x 18-1/4"W
- Wall-mount installation
- 4" center drilling
- Includes wall hanger
- Drilled for concealed arm carrier
- With sealed overflow for commercial and hospitals jobs

Recommended Accessories

K-8998 P-Trap

Components

Additional included component/s: Hanger (2 Required).



ADA

Codes/Standards


ASME A112.19.2/CSA B45.1
ADA
ICC/ANSI A117.1

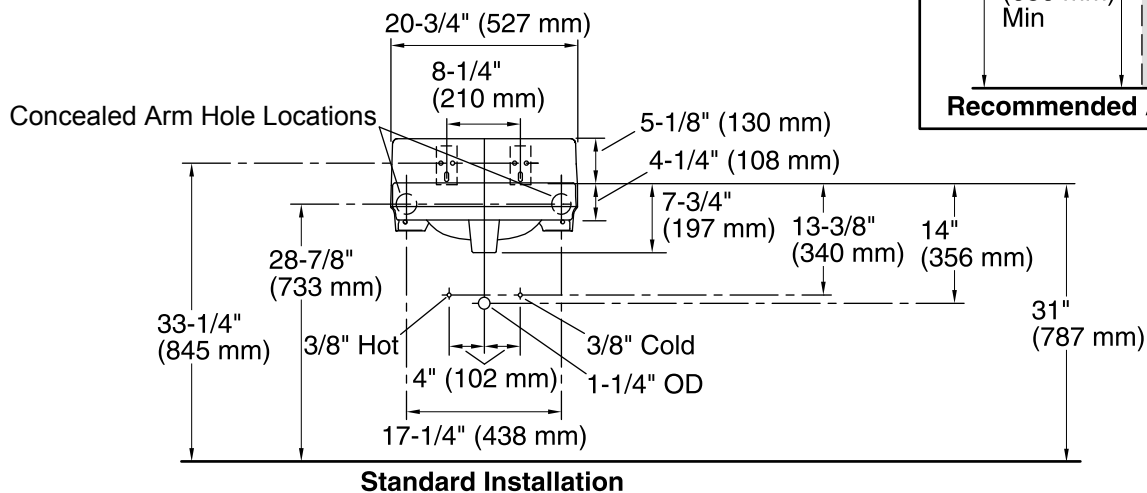
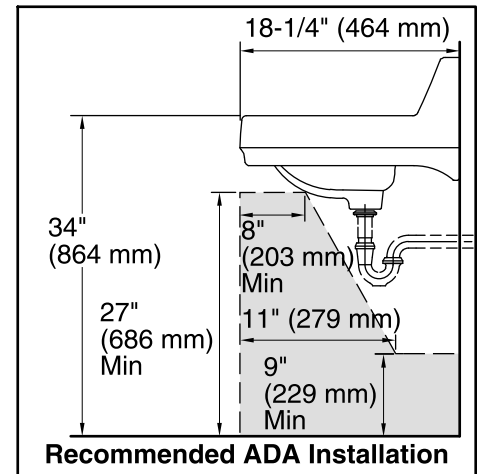
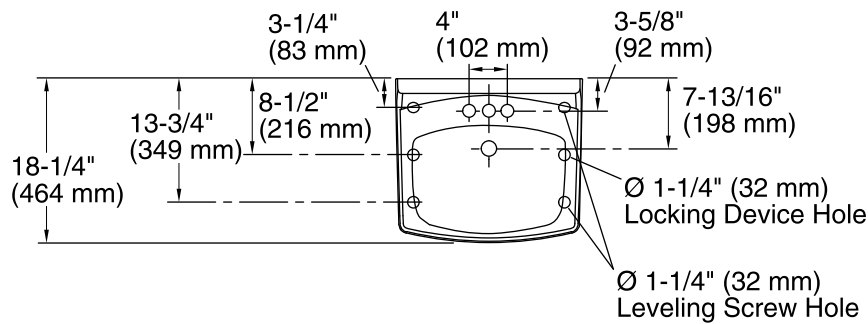
See website for detailed warranty information.

Available Color/Finishes

Color tiles intended for reference only.

Color	Code	Description
-------	------	-------------

	0	White
--	---	-------



Technical Information

All product dimensions are nominal.

Bowl configuration: Single
 Installation: Wall-mount
 Bowl area (Center) Length: 10" (254 mm)
 Width: 15" (381 mm)
 With overflow: Yes
 Water depth: 3-1/4" (83 mm)

Number of deck holes: 3
 Faucet hole(s): 1-1/4" (32 mm)
 Soap/Lotion hole: 1-1/4" (32 mm)
 Drain hole: 1-3/4" (44 mm)

Notes

Install this product according to the installation instructions.

ADA compliant when installed to the specific requirements of these regulations.