

5x8 Grill Gazebo with Awning

WE HAVE YOU IN MIND, LET US SERVE YOU!

Safety Information

Two people are required for this assembly.

Some parts may contain sharp edges.

Wear protective gloves.

When assembling and using this product, basic safety precautions should always be followed to reduce the risk of personal injury and damage to equipment.

Please read all instructions before assembly and usage.



CAUTION: Do not climb on top of the gazebo. Falling off the gazebo can result in serious injury.

NOTICE: For outdoor use





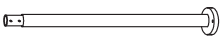
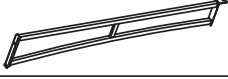

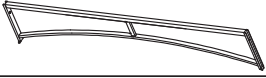


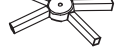

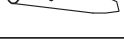



DANGER: This unit is heavy! Do not assemble this item alone


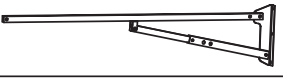

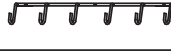

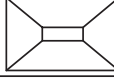


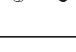
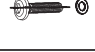

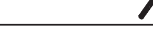
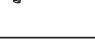


WARNING: Do not leave the gazebo where there is a risk of high wind, as possible damage will occur to the structure.



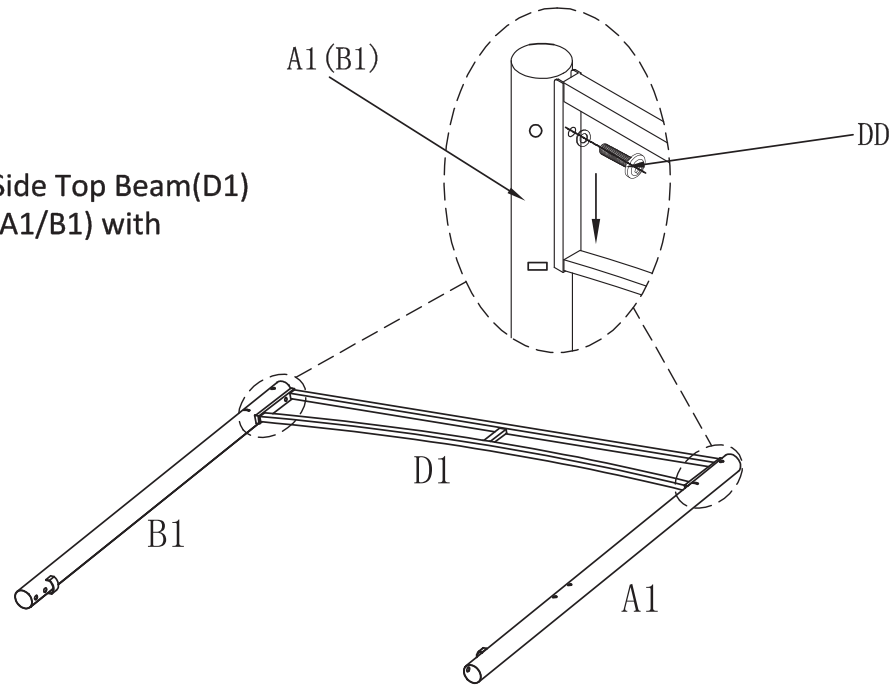
WARNING: Keep all flame and heat sources away from this gazebo fabric. This Gazebo is made with fabric that meets CPAI-84 specifications for flame resistance. It is not fire proof. The fabric will burn if left in continuous contact with any flame source. The application of any foreign substance to the gazebo fabric may render the flame-resistant properties ineffective.

Parts Name	Item No.	Parts Images	Qty.
Left Leg Post	A1		2
Right Leg Post	B1		2
Down Leg Post	A2/B2		4
Top Beam C1	C1		2
Top Beam C2	C2		2
Side Top Beam	D1		2
Upper Roof Frame Bar	G1		4
Lower Roof Frame Bar	G2		4
Roof Connector	J		1
Small Roof Extender	K2		4
Big Roof Extender	K4		4
Bottle Opener	L		1
Hook	N		1
Awning Bar	Q1		2

Parts Name	Item No.	Parts Images	Qty.
Awning Arm R	R		1
Awning Arm S	S		1
Bar Counter	U		2
Storage Hook Set	V		1
LED Lights	W		2
Big Canopy	01		1
Small Canopy	02		1
Awning Canopy	P		1
Screws CC	CC	 M6x15MM	19
Screws DD	DD	 M6x20MM	8
Screws EE	EE	 M6x30MM	4
Stake	II		8
Hex Key Wrench	JJ		1

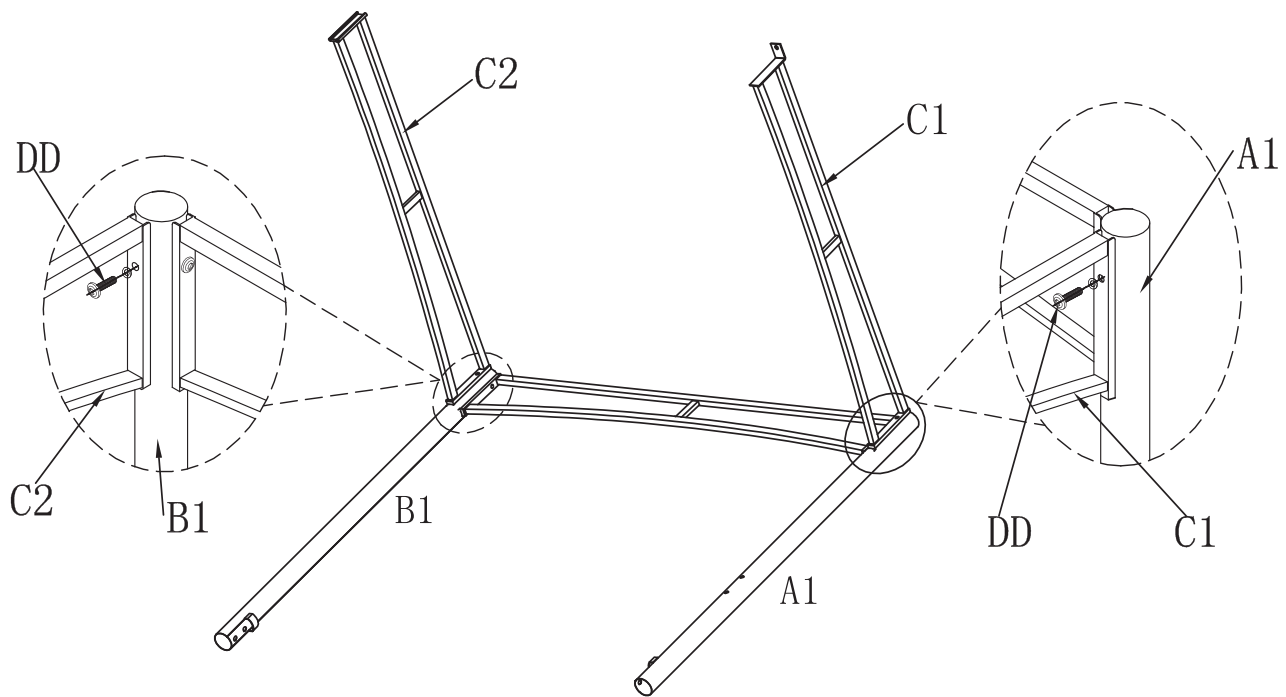
①

Connect the Side Top Beam(D1)
and Leg Post(A1/B1) with
Screws DD.

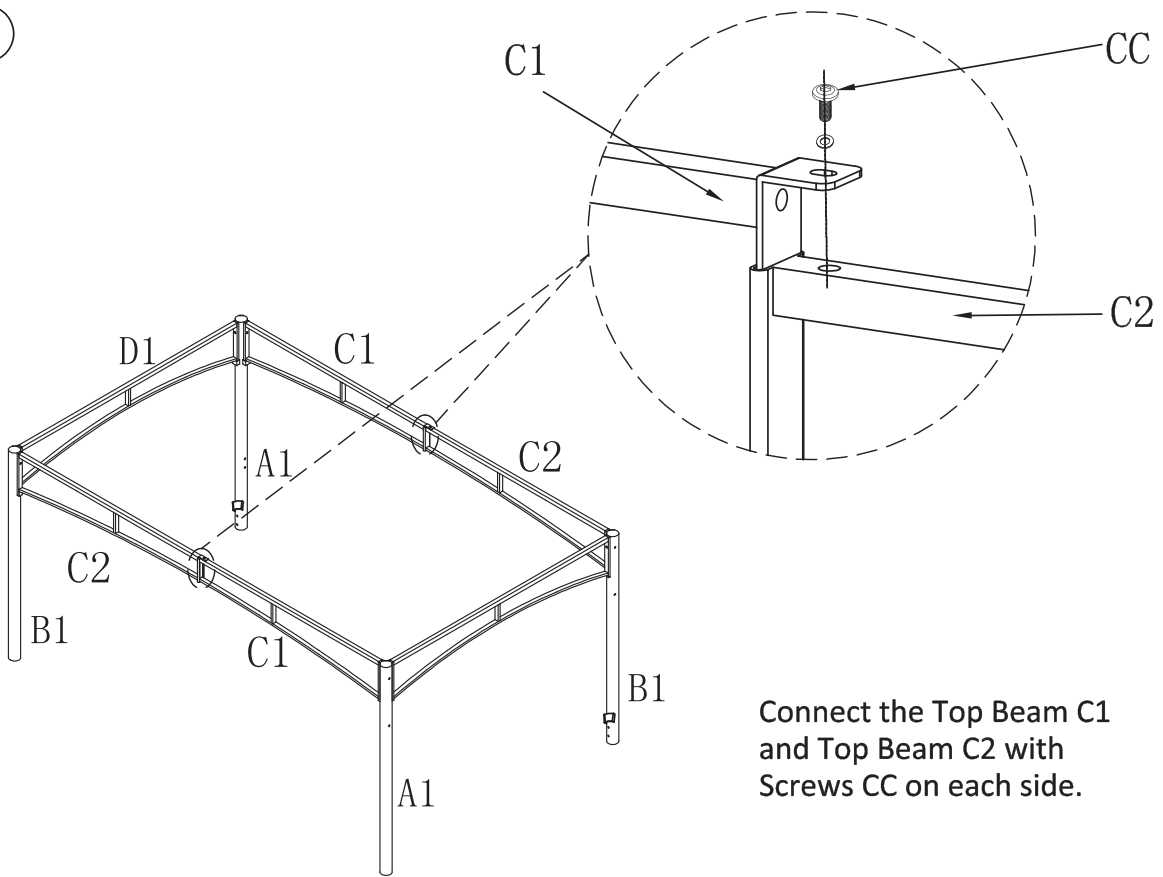


②

Connect the Top Beam C2 and Right Leg Post(B1) with Screws DD;
Connect the Top Beam C1 and Left Leg Post(A1) with Screws DD.

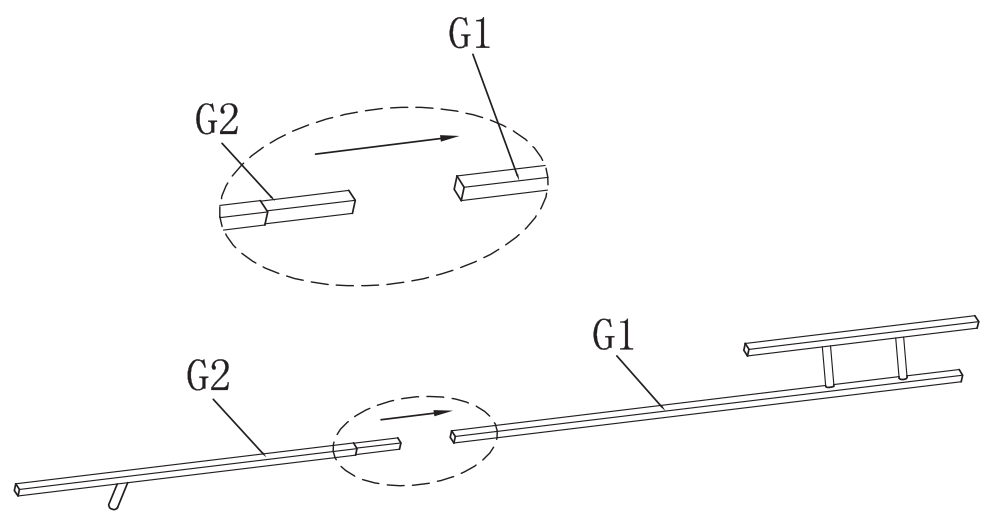


③



Connect the Top Beam C1 and Top Beam C2 with Screws CC on each side.

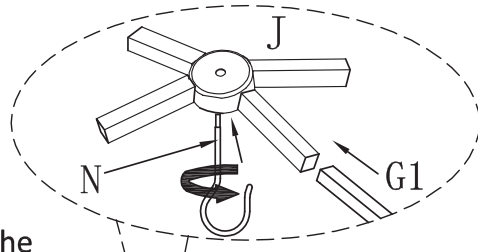
④



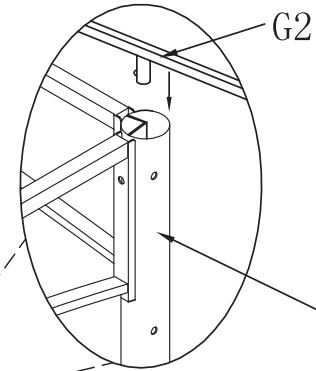
Connect the Upper Roof Frame Bars(G1x4) and the Lower Roof Frame Bars(G2x4).

5

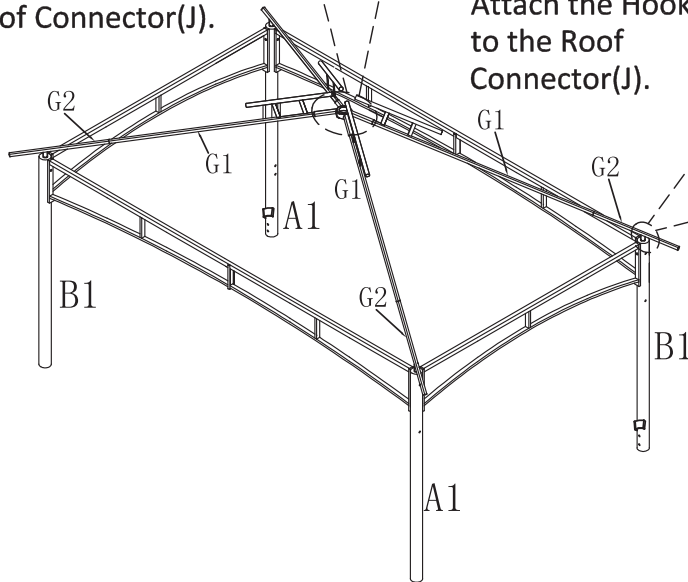
Insert the Upper Roof Frame Bars(G1X4) into the Roof Connector(J).



Attach the Hook(N) to the Roof Connector(J).



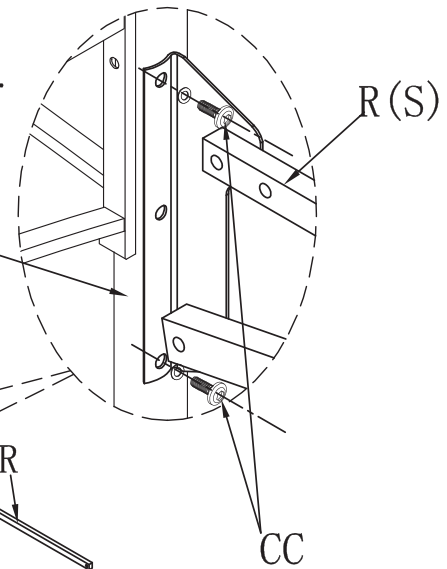
A1 (B1)



Connect the Lower Roof Bars(G2X4) into the Leg Posts A1/B1.

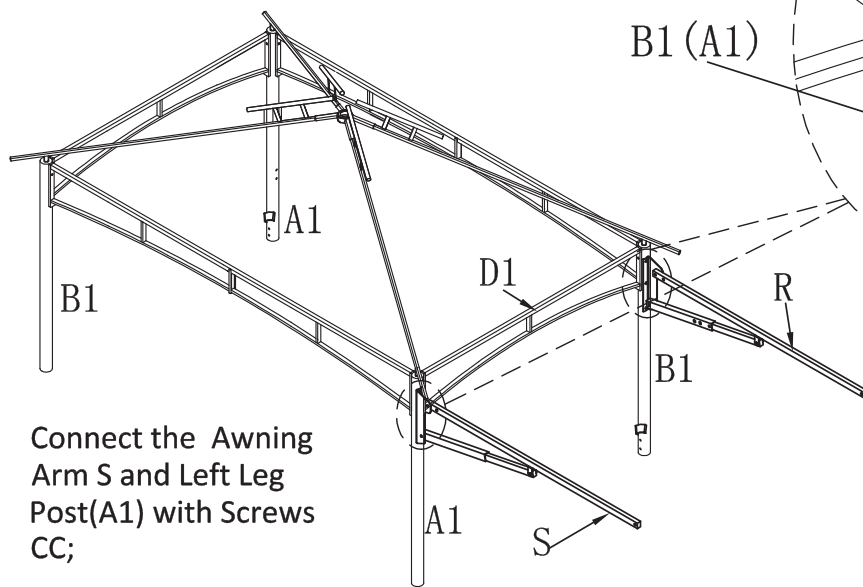
6

Connect the Awning Arm R and Right Leg Post(B1) with Screws CC.



R (S)

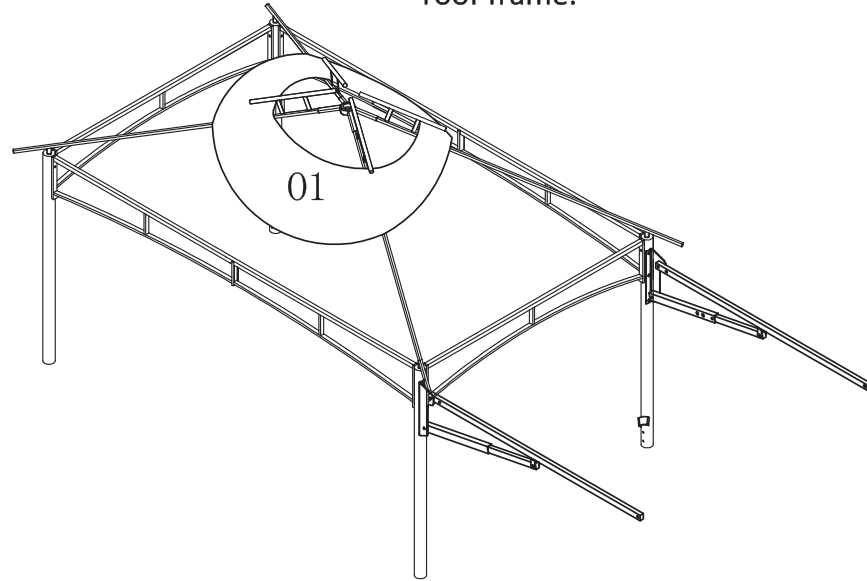
B1 (A1)



Connect the Awning Arm S and Left Leg Post(A1) with Screws CC;

7

Put the Big Canopy(O1) on the assembled roof frame.



8

G1

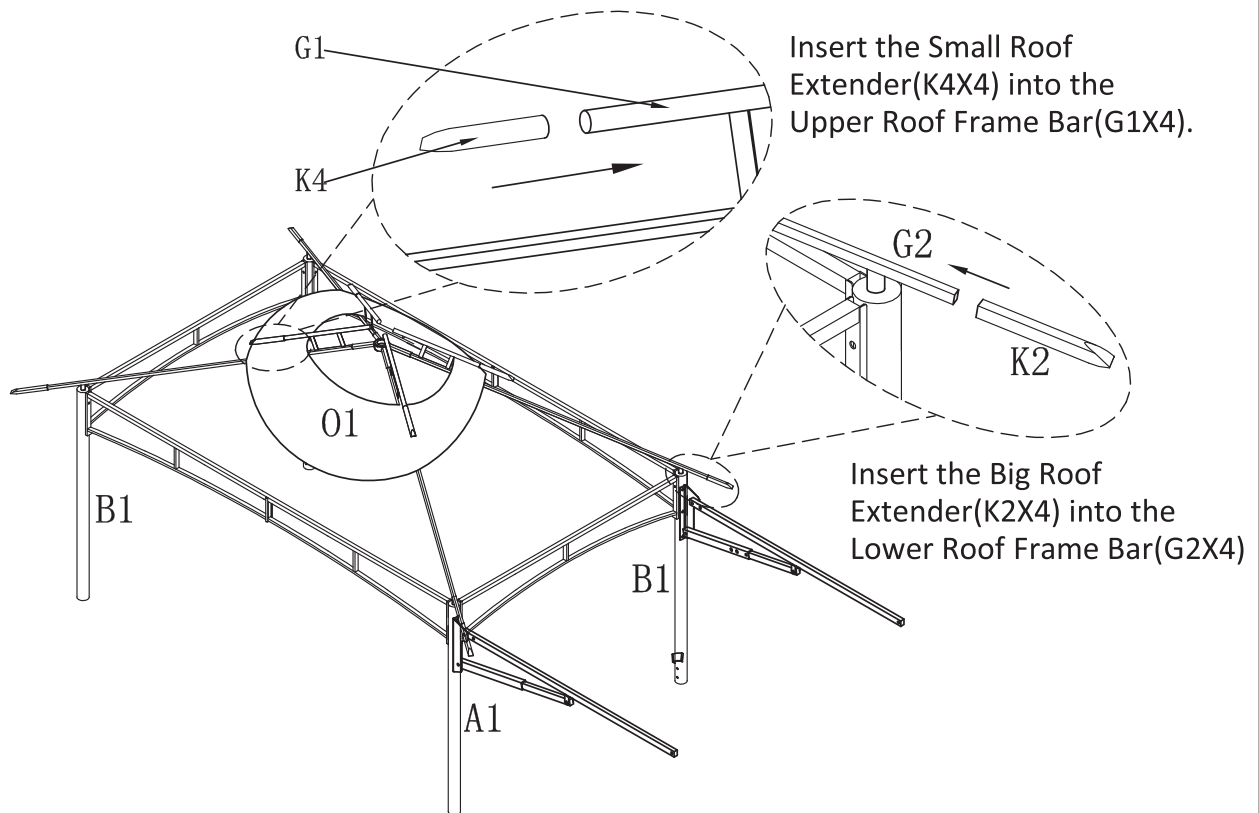
K4

Insert the Small Roof Extender(K4X4) into the Upper Roof Frame Bar(G1X4).

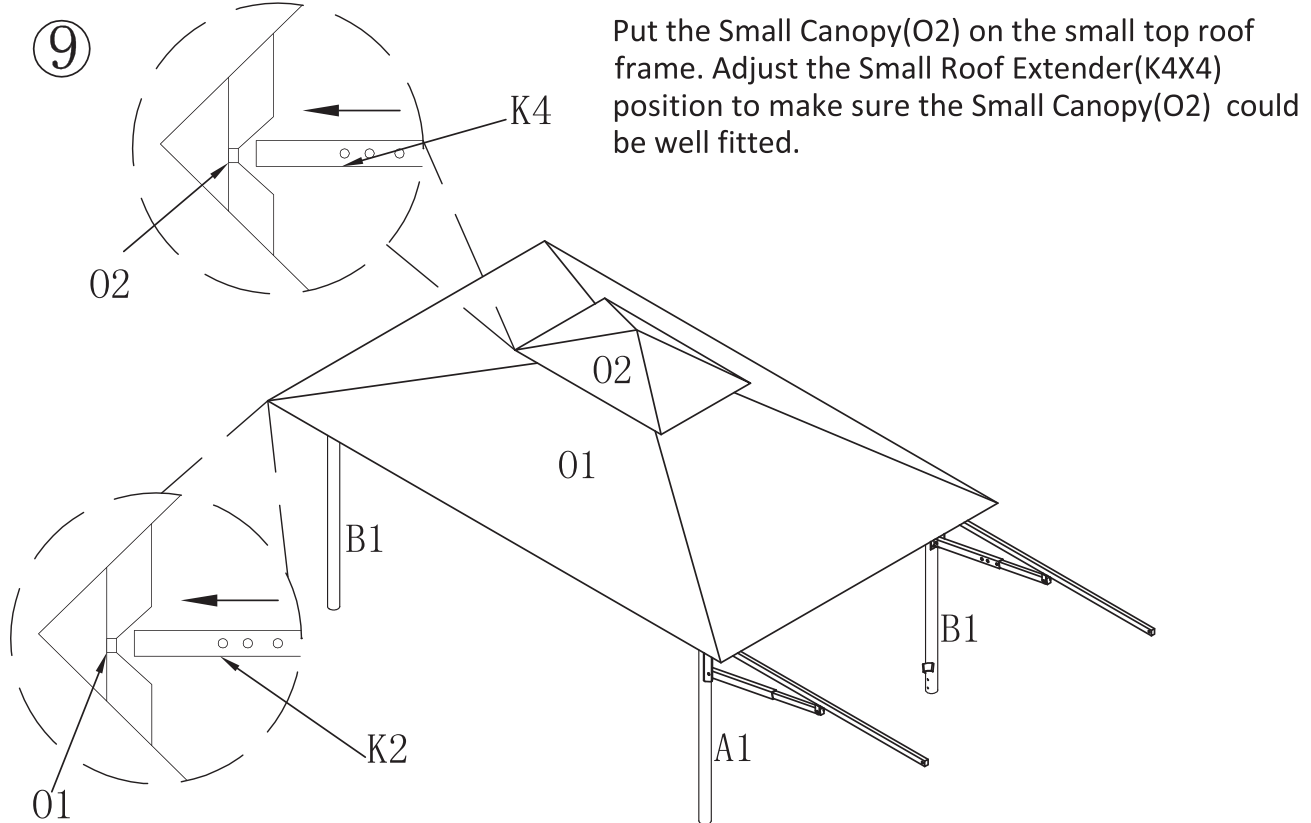
G2

K2

Insert the Big Roof Extender(K2X4) into the Lower Roof Frame Bar(G2X4)



9

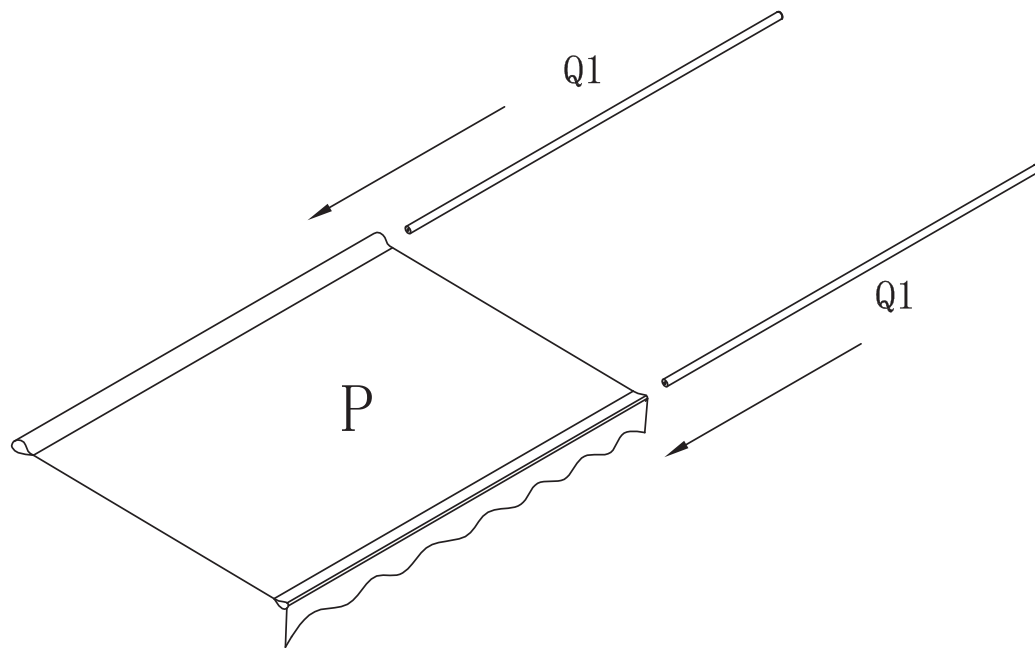


Put the Small Canopy(O2) on the small top roof frame. Adjust the Small Roof Extender(K4X4) position to make sure the Small Canopy(O2) could be well fitted.

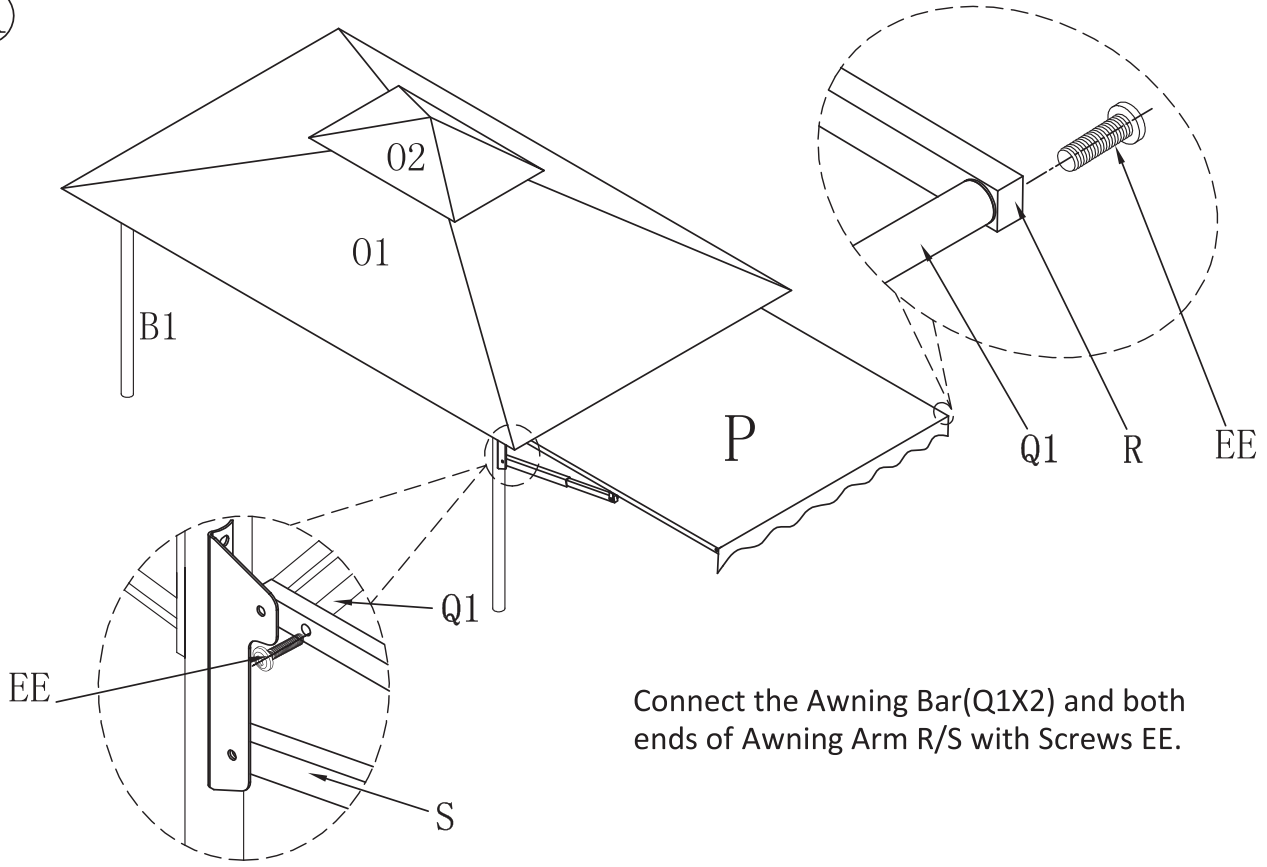
Adjust the Big Roof Extender(K2X4) position to make sure the Big Canopy(O1) could be well fitted.

10

Insert the Awning Bar(Q1X2) into the Awning Canopy(P).

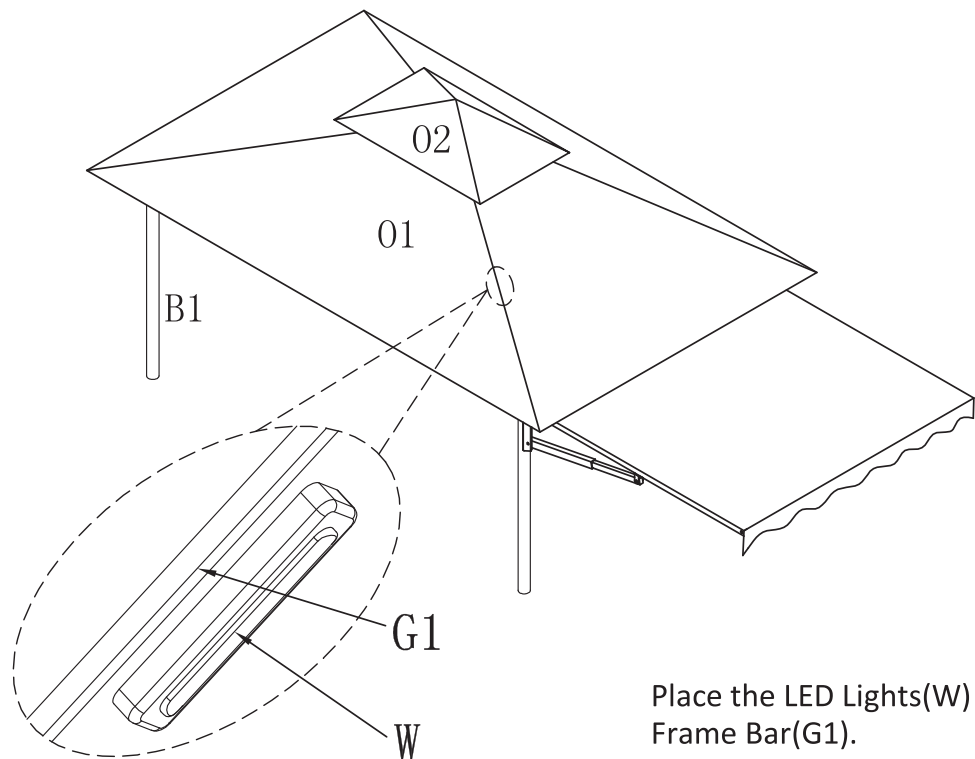


11



Connect the Awning Bar(Q1X2) and both ends of Awning Arm R/S with Screws EE.

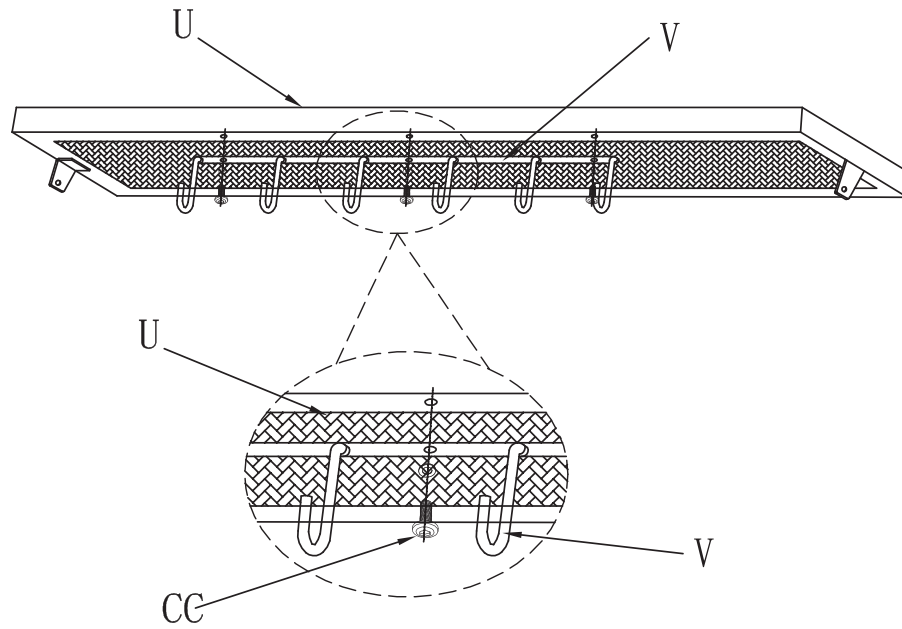
12



Place the LED Lights(W) on the Roof Frame Bar(G1).

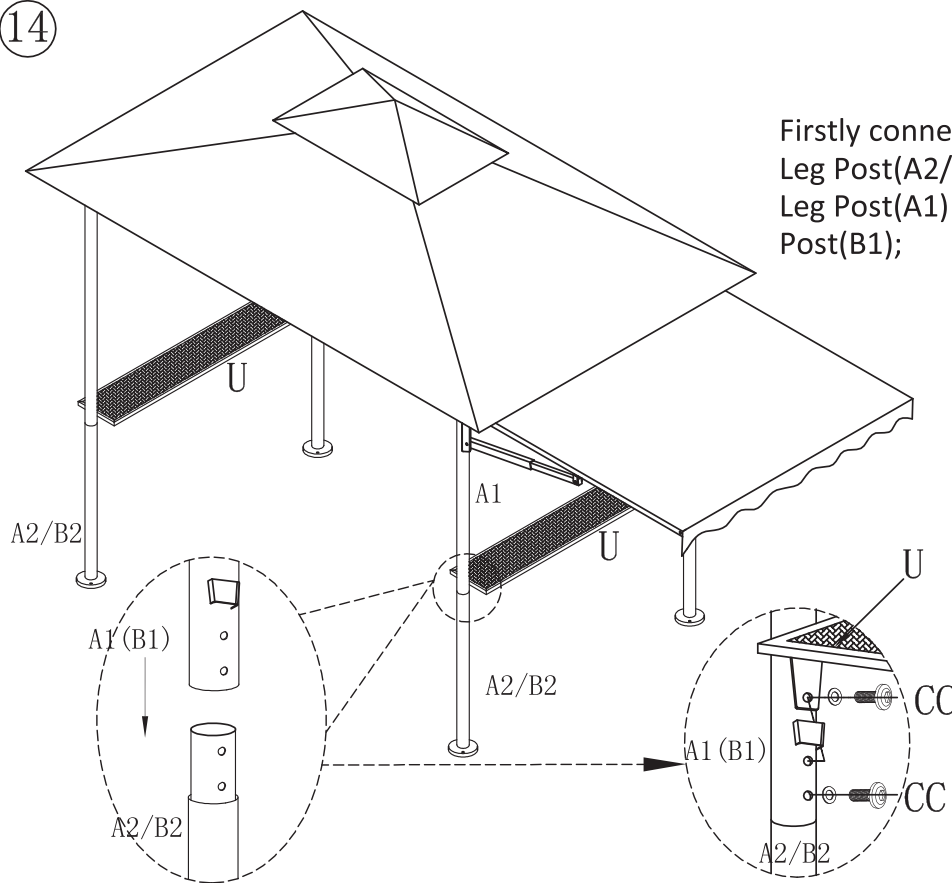
13

Assemble the Storage Hook(V) and the Bar Counter(U) with Screws CC.



14

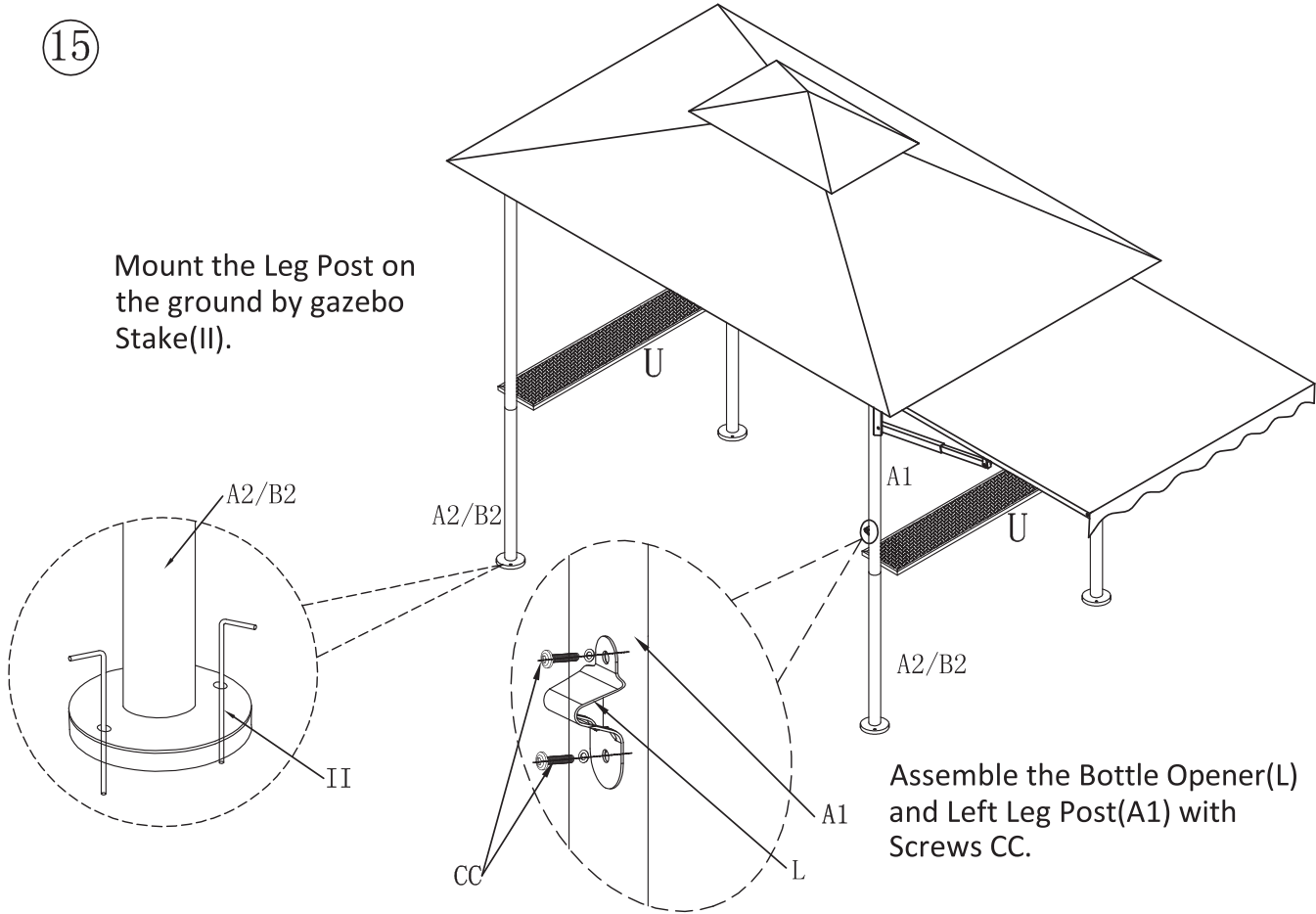
Firstly connect the Down Leg Post(A2/B2) with Left Leg Post(A1) and Right Leg Post(B1);



Then connect the Bar Counter(U) and Down Leg Post(A2/B2) with Screws CC.

15

Mount the Leg Post on the ground by gazebo Stake(II).



Assemble the Bottle Opener(L) and Left Leg Post(A1) with Screws CC.