

SKU#SS011

For any missing or damaging parts, hardware, or any other problems,
WELCOME to email us at:

SERVICE@RILYSON.COM

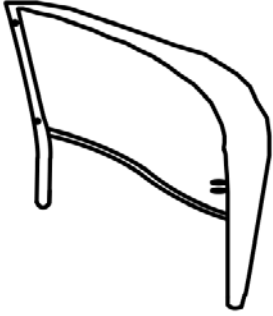
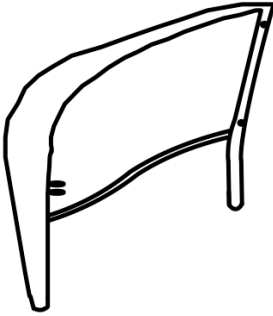
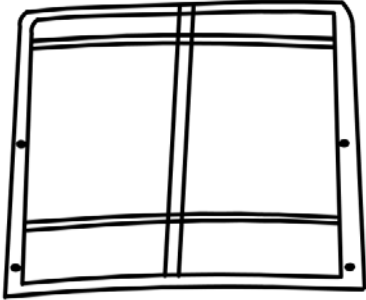
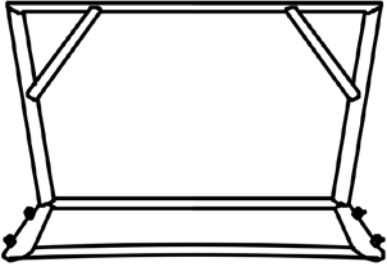
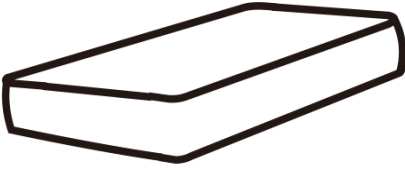
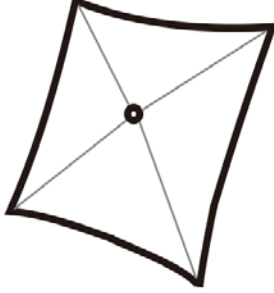
PRE-ASSEMBLY PREPARATION:



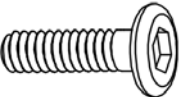



DO NOT LET CHILDREN PLAY IN OR AROUND THE UNIT DUE TO THE POSSIBLE RISK OF FINGER ENTRAPMENT.

- Please read through the instructions before beginning assembly.
- Two adults are recommended for assembly.
- Clear out the space for assembly and lay out all of the parts based on the Parts List, extra room will allow you to easily determine if all the pieces are present.
- Save all packing materials until assembly is complete to avoid accidentally discarding smaller parts or hardware.
- Keep small parts and pieces away from children until fully assembled.
- Ensure that all bolts are securely tightened before use. It is recommended that you re-check all nuts and bolts
- Do not swing in the chair beyond the parameter of the base as doing so may result in the chair tipping over and
- Use on even surfaces only.
- Improper use of this product or failure to use as directed may result in injury.

PANEL AND FITTINGS IDENTIFICATION:

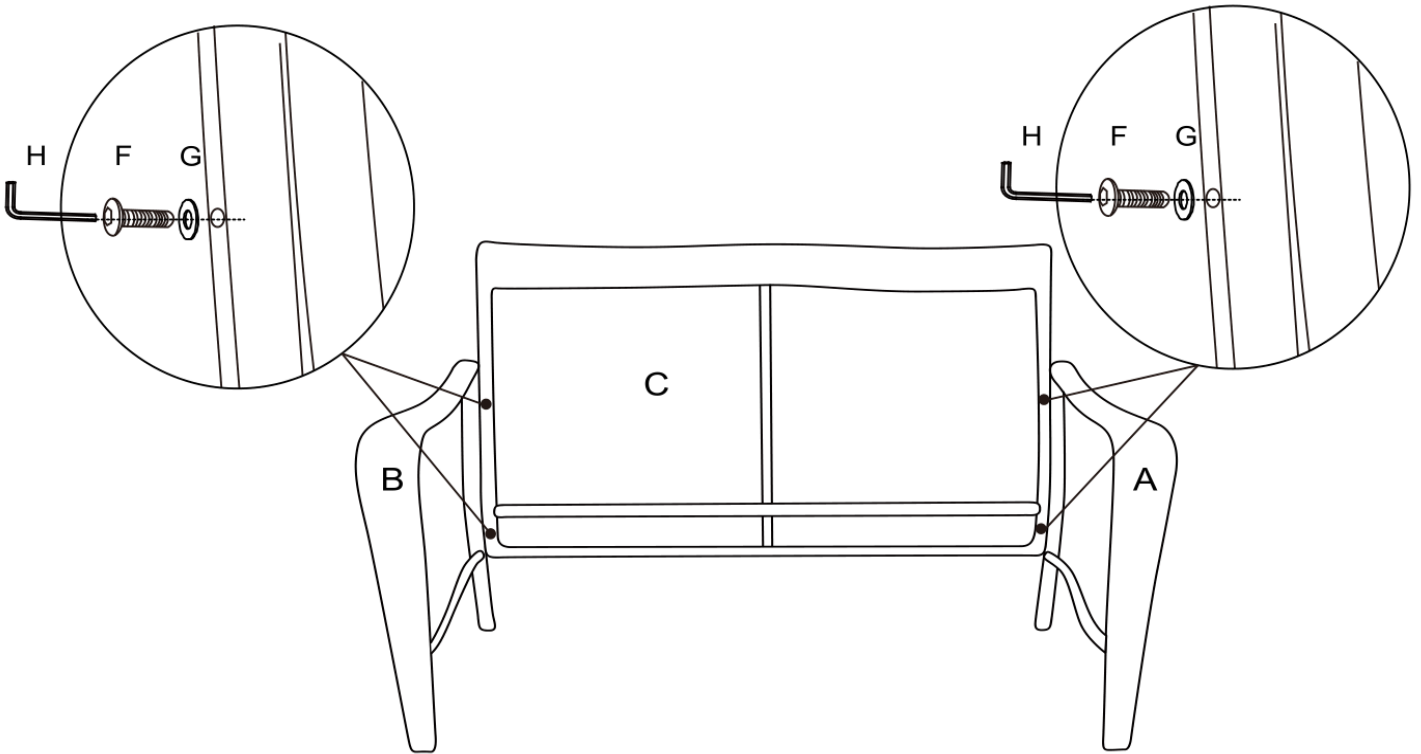
		
Left Arm (A) Qty:1	Right Arm (B) Qty:1	Back (C) Qty:1
		
Seat Panel (D) Qty:1	Seat Cushion (I) Qty:1	Back Cushion (J) Qty:2

HARDWARE LIST:

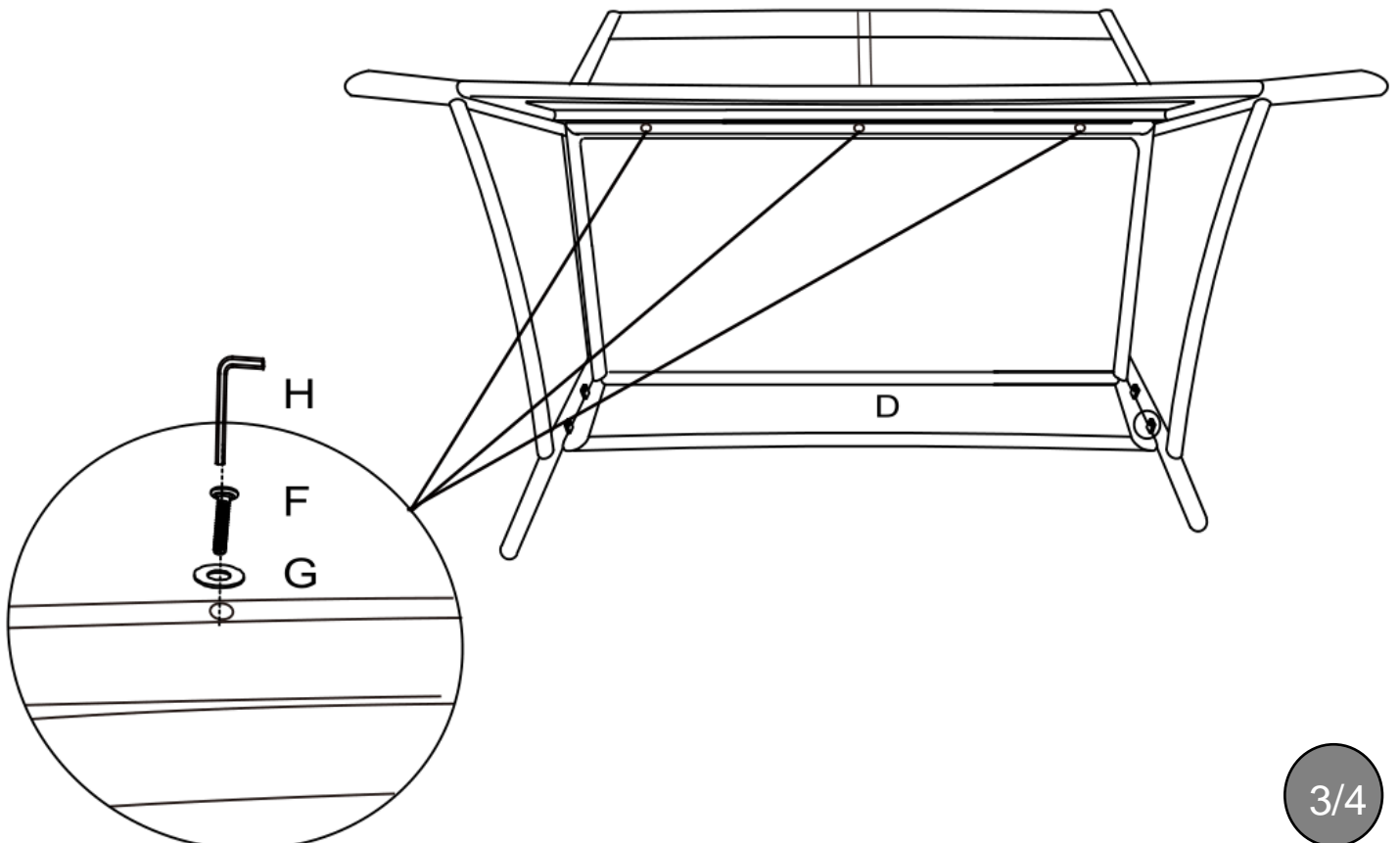
			
Short Bolts (E) Qty: 4	Long Bolts (F) Qty: 7	Washers (G) Qty: 11	Hex Key (H) Qty: 1

STEP-BY-STEP ASSEMBLY:

- 1** Step 1: Attach left arm (A) and right arm (B) to chair back (C) with 4 long bolts (F) and 4 washers (G) using hex key (H). Do not fully tighten bolts.

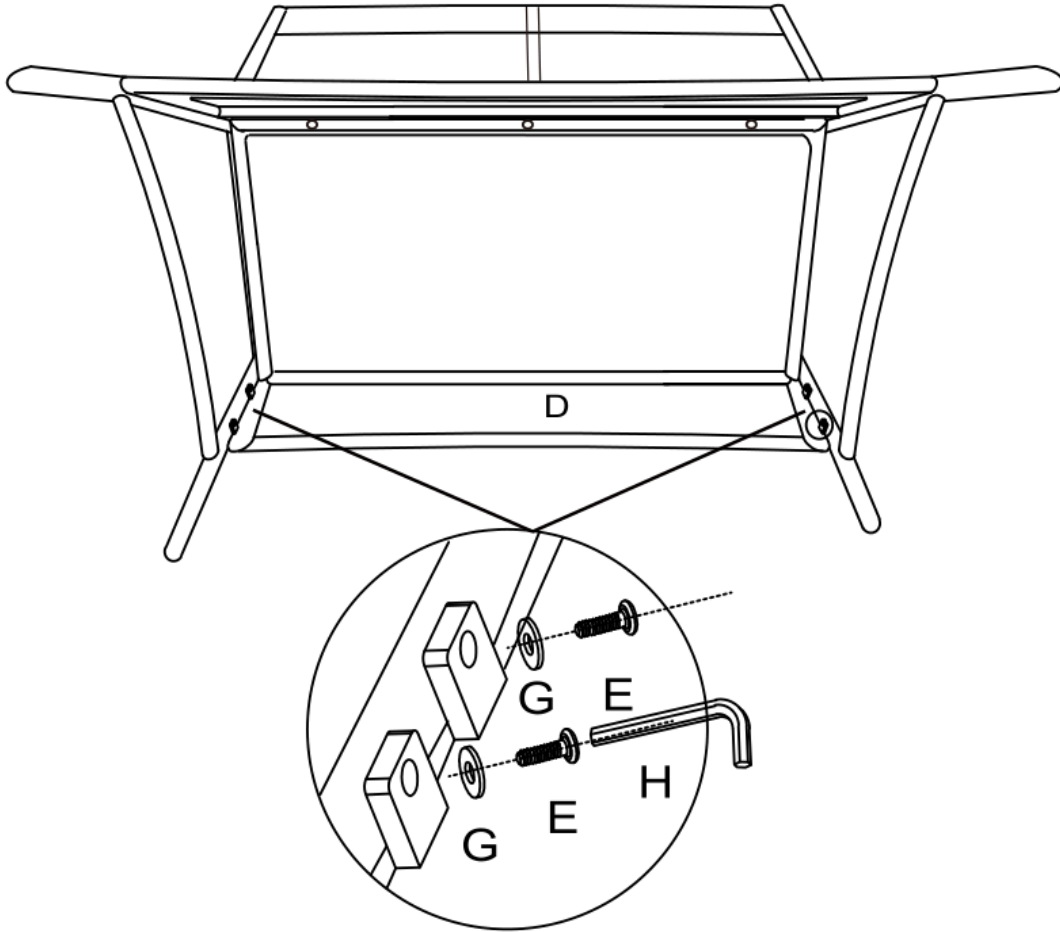


- 2** Step 2: Attach seat panel (D) to chair back (C) with 3 long bolts (F) and 3 washer (G) using hex key (H). Do not fully tighten bolts.



3

Step 3: Attach seat panel (D) to left arm (A) and right arm (B) with 4 short bolts (E) and 4 washer (G) using hex key (H). Verify the alignment and adjust, then fully tighten all the bolts.



4

Step 4: Turn over the assembled chair, and put the seat cushion (I) and back cushion (J) onto the chair.

