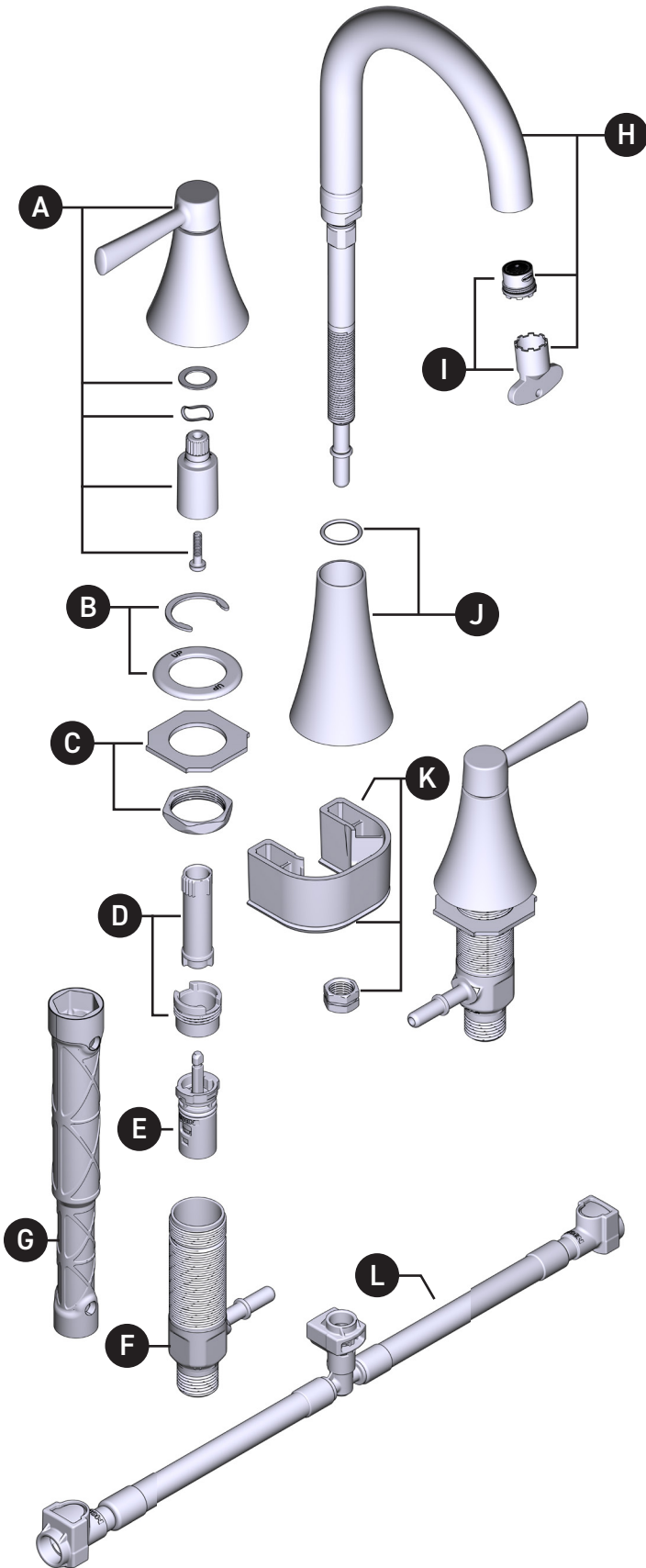


Illustrated Parts Ronan™

Two-Handle Widespread Lavatory Faucet

MODEL	FINISH	NOTES
84023BL	Matte Black	Non-Metallic Waste
84023SRN	Spot Resist Brushed Nickel	Non-Metallic Waste



ID	Kit Description	Kit Number	Finish
A	Handle Kit-Hot or Cold	212919BL 212919SRN	Matte Black Spot Resist Brushed Nickel
B	Mounting Hardware	103759	N/A
C	Hardware Package	12715	N/A
D	Stem Extension Kit	174290	N/A
E	Replacement Cartridge	1234	N/A
F	Valve Body Kit	174292-Hot 174291-Cold	N/A
G	Mounting Tool	118305	N/A
H	Spout Tube Kit	212562BL 212562SRN	Matte Black Spot Resist Brushed Nickel
I	Aerator Kit 1.2 gpm (includes Tool)	181085	N/A
J	Spout Hub Kit	212619BL 212619SRN	Matte Black Spot Resist Brushed Nickel
K	Hardware Kit	93959	N/A
L	Duralock Hose Kit	114299	N/A
M	Waste Assembly (Full Assembly)	186478BL 186478CSL	Matte Black Spot Resist Brushed Nickel

