

# RVB6723

## FREESTANDING BATH TUB

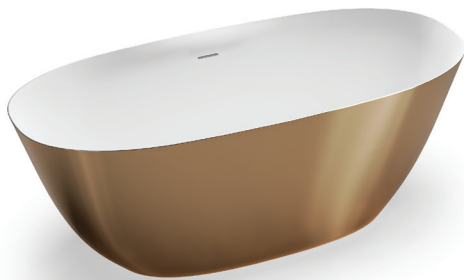
**RUVATI**<sup>®</sup>  
SPECIFICATION SHEET

### MATERIAL

- **EPISTONE:** High-quality innovative composite material that produces a hard surface and requires little maintenance.

### FEATURES

- **SATIN MATTE POWDER FINISH:** Natural beauty similar to stone and silky to the touch.
- **OVAL SHAPE:** For maximum comfort and easy cleaning.



### COLOR OPTIONS

**GW:** Matte Gold

### IN THE BOX



Popup Drain  
[RVA6104WH]

### NOMINAL DIMENSIONS

Exterior: 63" x 28" x 23"

Interior: 62-3/4" x 27-1/4" x 17-3/8"

Drain Hole Size: 2-1/4"

**Installation Type:**

Freestanding

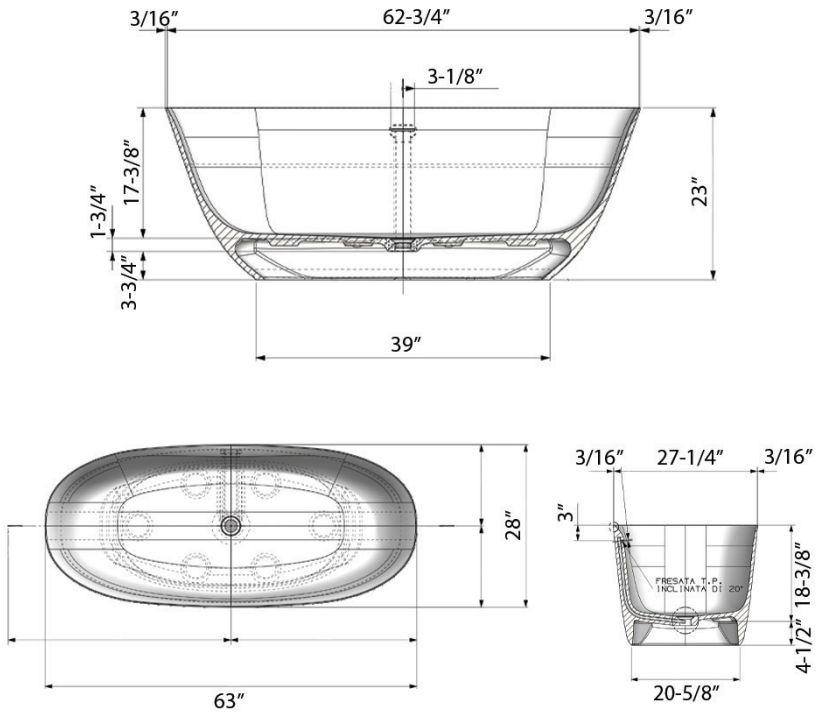
**Drain Location:**

Center

**RUVATI USA**  
www.ruvati.com

Phone: 1.855.478.8284  
Email: support@ruvati.com

# DIMENSIONS



SCAN TO REGISTER YOUR WARRANTY

or visit  
[www.ruvati.com/register](http://www.ruvati.com/register)

**RUVATI USA**  
[www.ruvati.com](http://www.ruvati.com)

Phone: 1.855.478.8284  
Email: [support@ruvati.com](mailto:support@ruvati.com)