



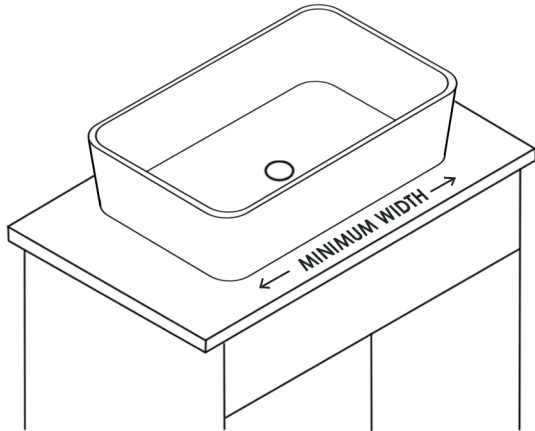
# INSTALLATION GUIDE

## VESSEL SINK

OVER THE COUNTER BATHROOM SINK

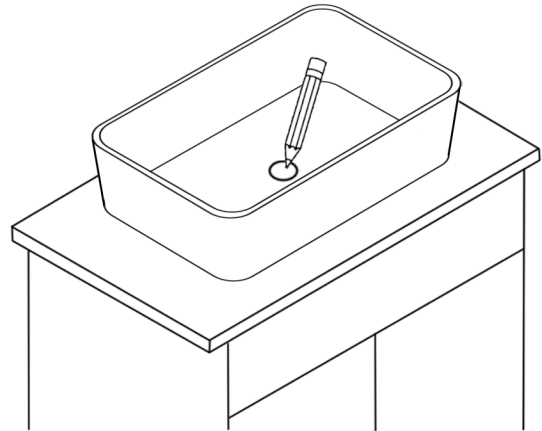
IF YOU HAVE PURCHASED A **VESSEL SINK**, PLEASE MAKE SURE TO READ THESE INSTRUCTIONS CAREFULLY

1



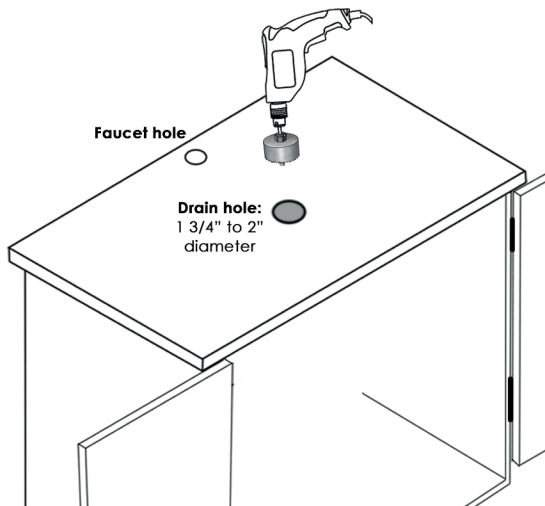
Position sink vessel on the installation surface and confirm vessel size is correct and don't interfere with faucet  
**Note:** See minimum countertop space required depending of the model.

2



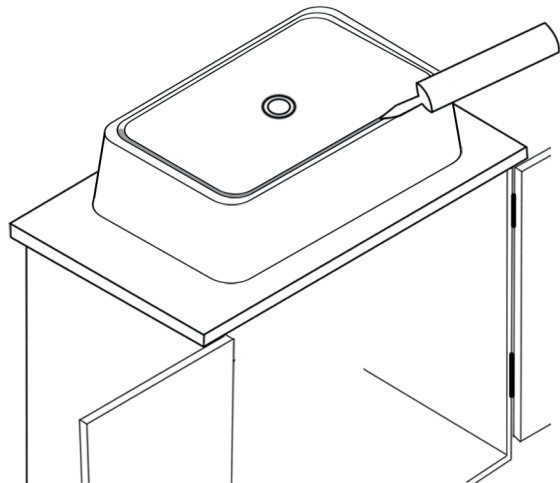
If drain hole has not been made, mark the drain hole location on the countertop.

3



Drill drain hole on the countertop, the size of the countertop drain hole recommended is 1-3/4 inches to 2 inches.

4



When sink is ready to be installed, put sink up side down and apply a bead of silicone on the outer channel of the sink vessel, alternative use plumber's putty cord.


### WARRANTY

For additional technical assistance or for any questions or concerns about your sink's warranty, please contact us.

[www.stylishkb.com/warranty](http://www.stylishkb.com/warranty)

 [www.stylishkb.com](http://www.stylishkb.com)

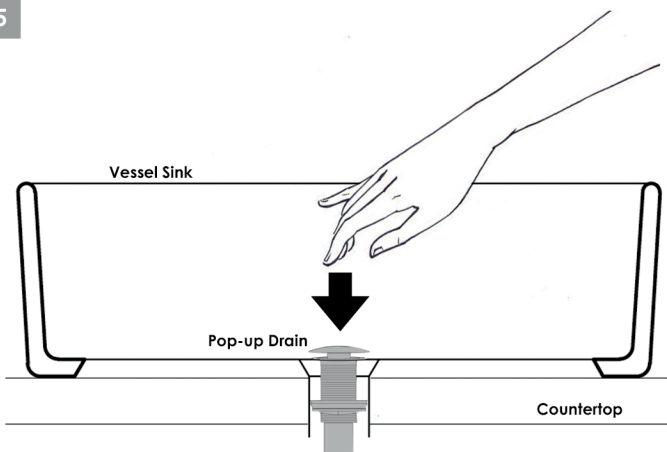
 [care@stylishkb.com](mailto:care@stylishkb.com)

 +1-855-789-5352

Stylish International Inc Follow us on Instagram! Check out and let us know your comments  [stylish.international.inc](https://www.instagram.com/stylish.international.inc)

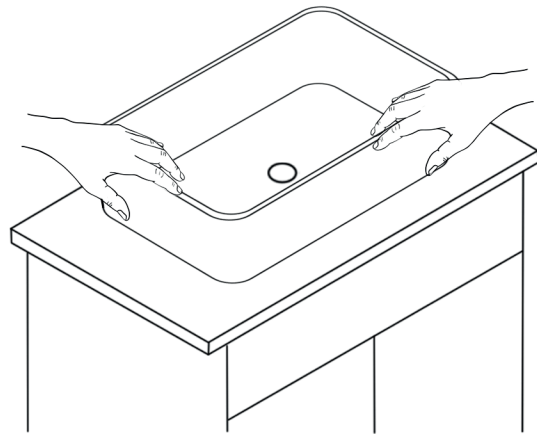
Page 1/2

5



Position sink on countertop and align vessel drain hole with countertop hole and install pop-up drain which also works as an anchor to hold vessel in place.

6



Push down on vessel and ensure is stable and not rocking on countertop. Wipe and clean any silicone excess around the sink bottom.

### CARE AND CLEANING

Clean your sink every day to prevent a buildup of soap scum, grease and dirt. Use a wet sponge with liquid dishwashing. Scrub the sink's surface using a soft non-abrasive cloth or sponge. Wipe the sink dry with a dish towel or other soft cloth to eliminate water stains. For deep clean cover the sink with paper or cloth towels and pour undiluted bleach. Be sure the area is well ventilated and let the bleach-saturated towels sit for 15 to 30 minutes. Rinse thoroughly with water and wipe dry with a dish towel or other soft cloth.