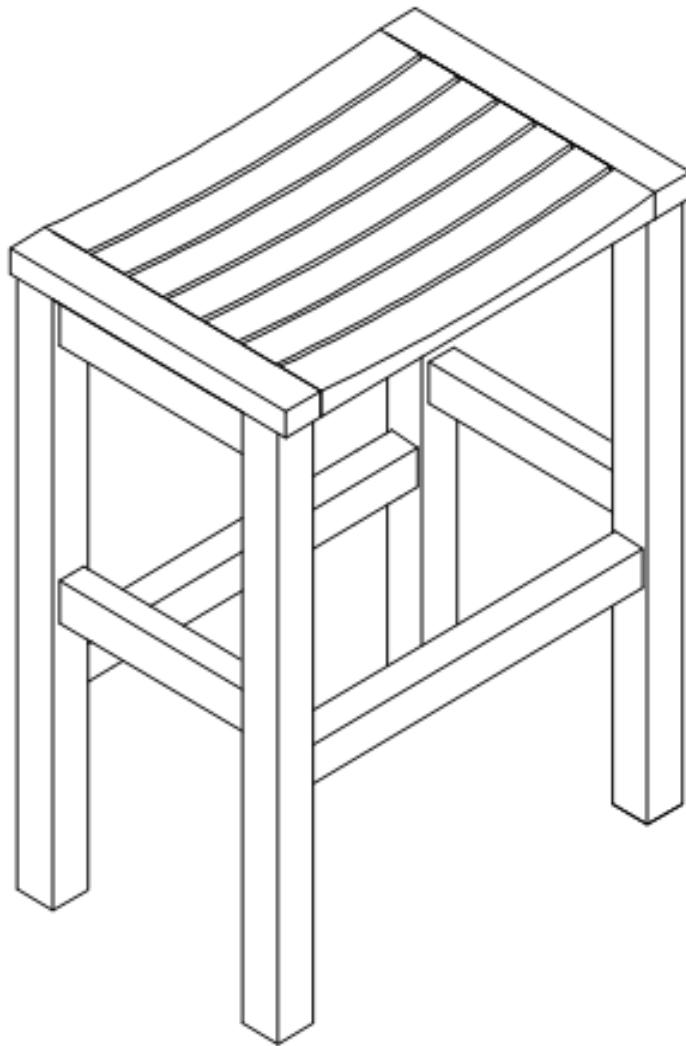


Assembly Instructions

Caution : You must read this before you proceed

Please look behind dummy box for hardware packs

CHAIR

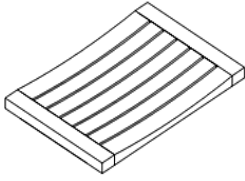
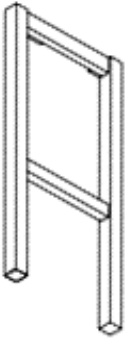
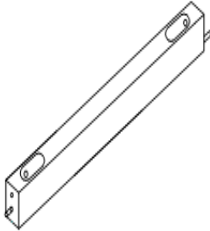


CAUTION : This Chair is NOT a TOY.

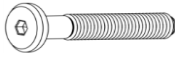



Keep your child / children at bay during the assembly process.

For moving the Chair and to prevent damage to the Chair, two adults are needed to execute this action.

Parts List

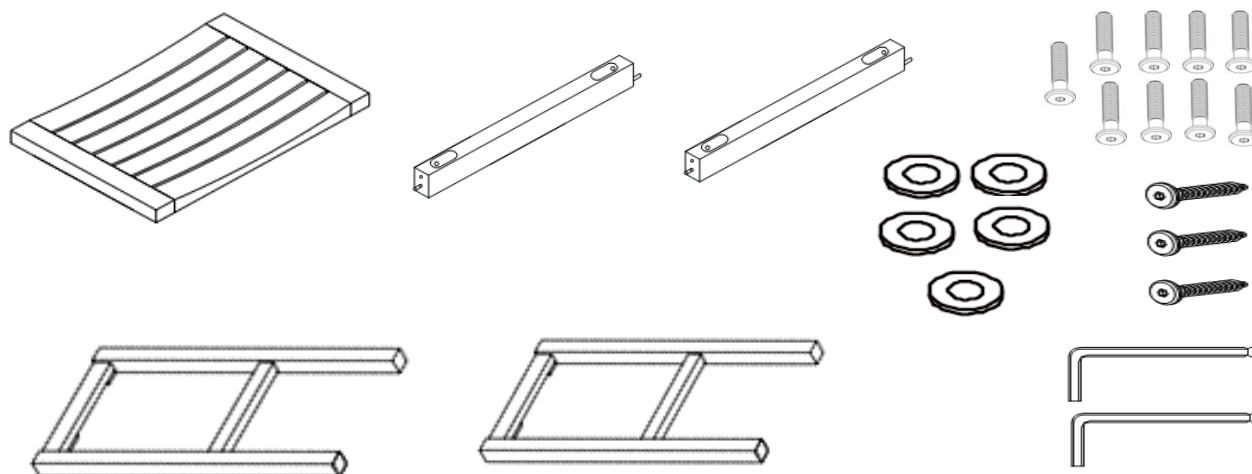
Label	Picture	Description	QTY
A		Seat Frame	1
B		Leg	2
C		Cross Bar of Legs	2

Hardware

Label	Picture	Description	QTY
①		Bolt (M6x45mm)	9
②		Washer	5
③		Screw (M6 x 55mm)	3
④		Allen Wrench with a round head	2

Assembly Preparation

Before Beginning Assembly:



- Read instructions, cover to cover-



- Have 2 adults on hand for assembly-



- Do not assemble on flooring or carpet-



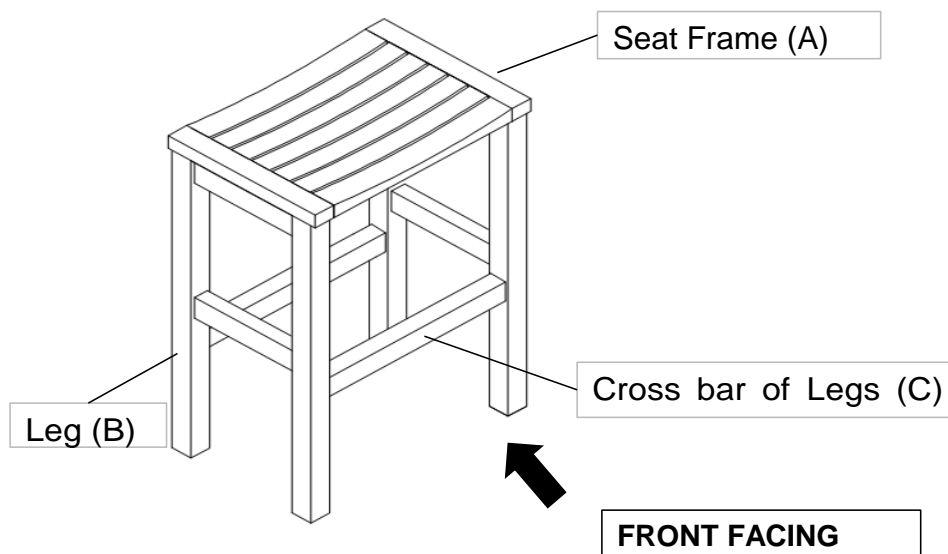
- Assemble on a clean non-marring surface (packing foam)-



- Save all packaging until finished-

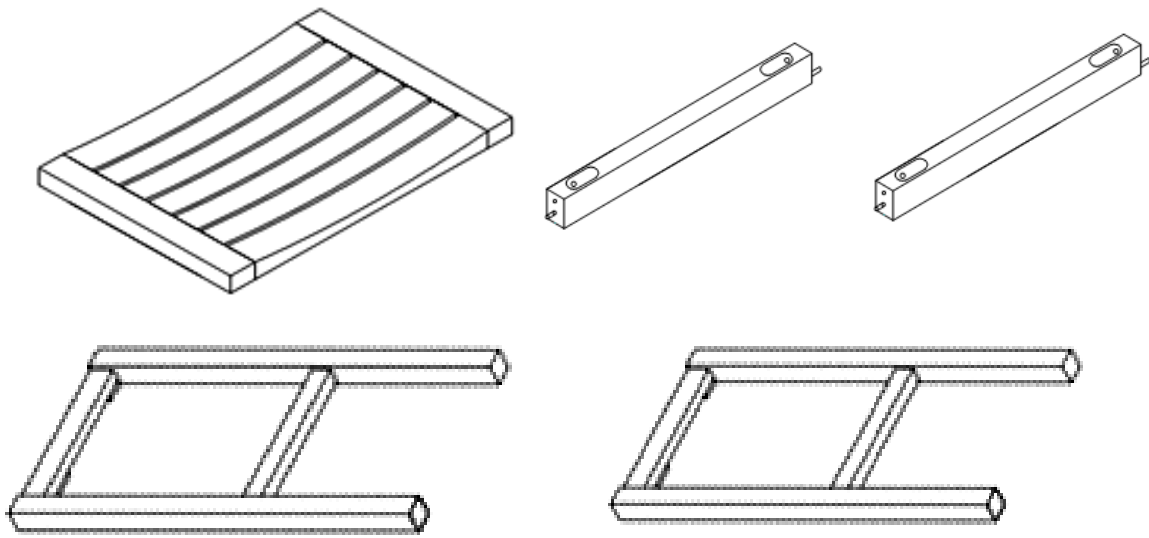
Assembly Steps

OVERVIEW



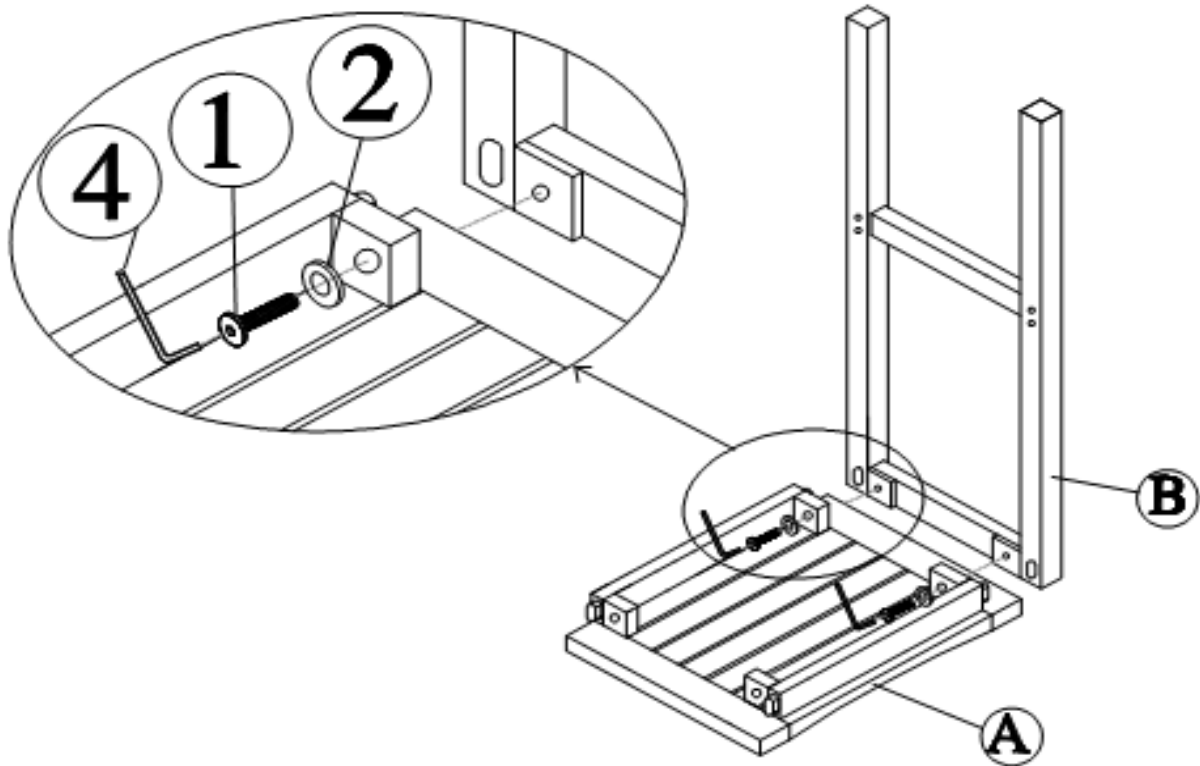
This Chair has multiple parts and may require up to some 30 minutes to assemble. To give you an overview of the Chair, the above picture is to assemble is to help you put the various parts into perspective. Please read through the instructions here below to familiarise the parts and steps before assembly.

Step 1



Unpack and place all parts on a clean, non-marring surface.

Step 2



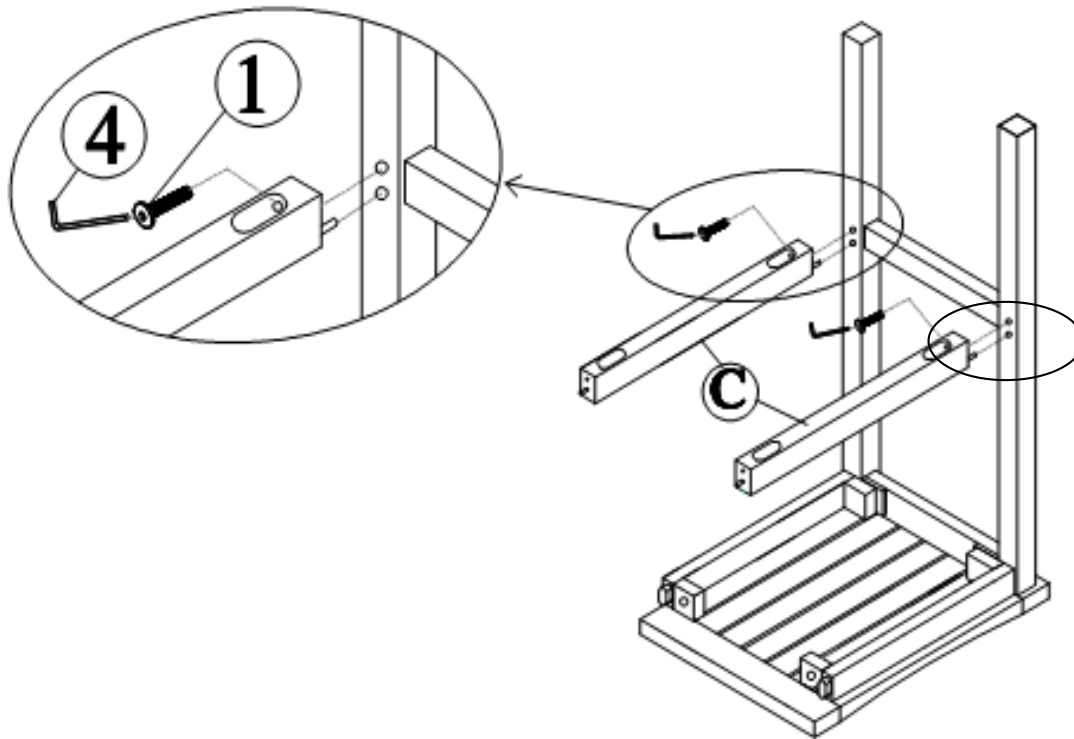
Place Seat Frame(A) with its underside skywards onto a clean, soft surface to avoid any scratch or damage to the product.

Attached Leg(B) with pre-fixed wooden dowel to the Seat Frame(A) as pictured above.

Secure by using Bolts(①), Washer(②), and Allen Wrench(④).

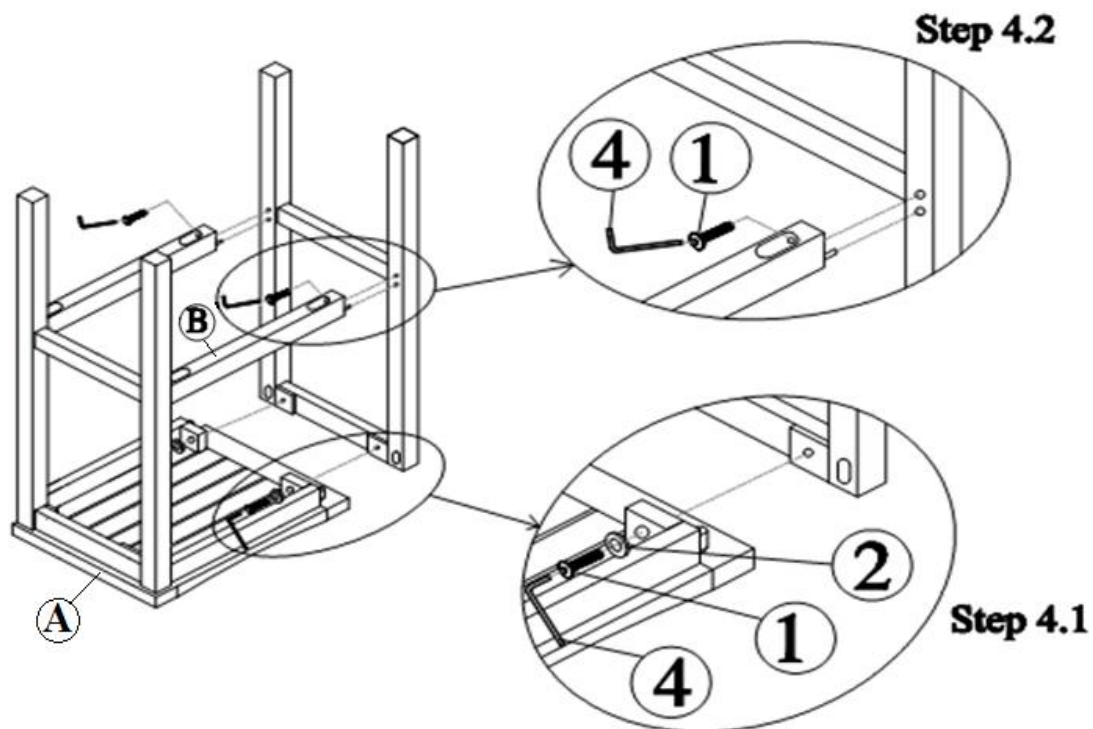
DO NOT FULLY TIGHTEN THE BOLTS.

Step 3



Attach the Cross Bars of Leg(C) to in assembled part by using Bolts(①) and Allen Wrench(④).
DO NOT FULLY TIGHTEN THE BOLTS.
FULLY TIGHTENING COULD LEAD TO DAMAGE OF THE PRODUCT.
ONLY TIGHTEN UNTIL SECURE.

Step 4



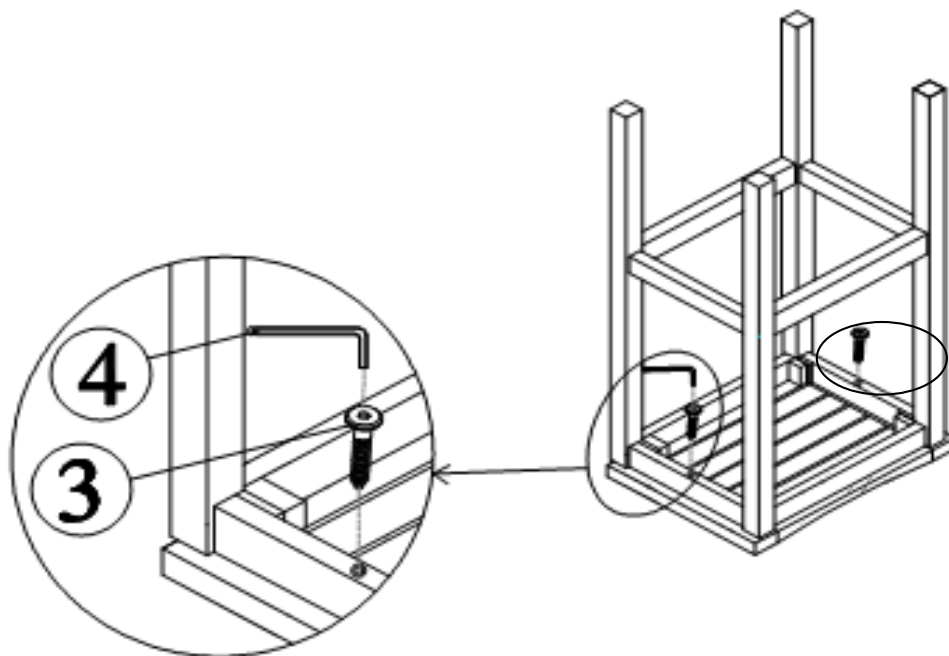
Then place complete part in Step 2 into the tenon of side rails and the Leg(B).

4.1. Using Bolts(①), Washer(②) and Allen Wrench(④) to attach the Seat Frame(A) to the complete part in step 3.

4.2. Using Bolts(①) and Allen Wrench(④) to attach the Cross Bar of Leg(C) to the complete part in Step 4.1.

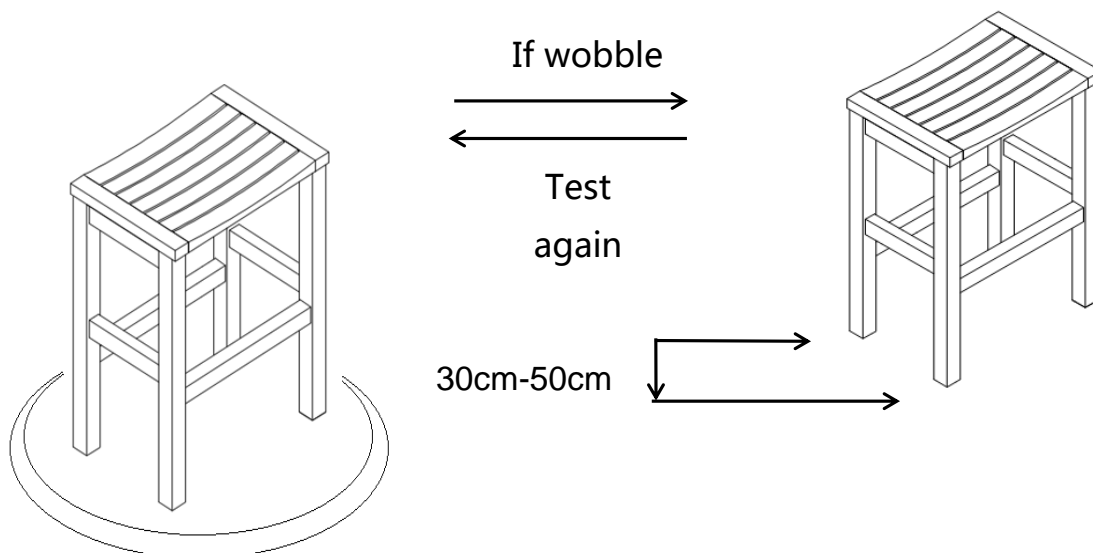
DO NOT FULLY TIGHTEN THE BOLTS.

Step 5



Finally, using Screw(③) and Allen Wrench(④) to strengthen Seat top Panel.
DO NOT FULLY TIGHTEN THE SCREW.

Step 6



Place the Chair right side up on a **LEVEL SURFACE** to see if it wobbles.
If it wobbles, lift the Chair 30cm to 50cm high from the ground.
Keep your feet and toes well away from the drop zone.

Drop the Chair freely and vertically with all four legs, hitting the ground at the same time.
This Drop Test will help to ensure that all the Bolts and gaps reach full alignment status.
Test again for evenness on a **LEVEL SURFACE**.
If no wobbles are found, proceed to tighten all the Bolts.

When tightening the Bolts, tighten sequentially.

Do not tighten any Bolt, Screws fully and then move towards the next one.

This could cause the frame to warp.










If there are still wobbles, loosen the Bolts and execute the same drop tests.

If the Chair is not stable it could lead to damage to the product.

Your Chair is ready for use.

This Chair can only be used on a flat, level surface.

Care & Maintenance

-  ● Do not put hot items directly on furniture surface
 -  ● Do not clean furniture with harsh cleansers or polish.
 -  ● To obtain the longest lifespan of your outdoor products, minimizing exposure to direct sunlight is recommended.
 -  ● Children should not climb or jump on the furniture.
 -  ● Do not write on furniture without a padded barrier to protect the
 -  ● To obtain the longest lifespan of your outdoor products, avoid extended and lengthy exposure to rain, snow, and direct sunshine. Whenever possible cover the product and /or place under patio or awnings.
 -  ● Not for commercial use. For residential use only .
 -  ● Stains may be removed with mild soap solution and damp cloth.
-
-  ● Dust and pick-up spills using a clean, non-colored, lint-free cloth .