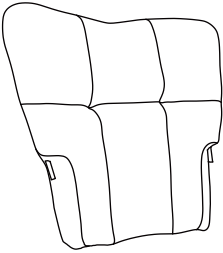
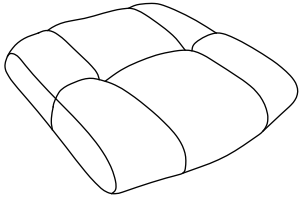
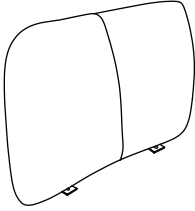
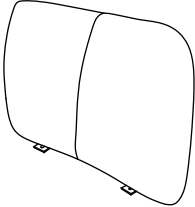
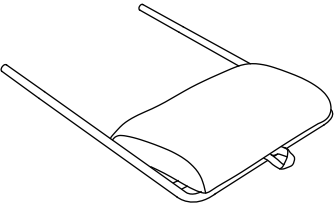
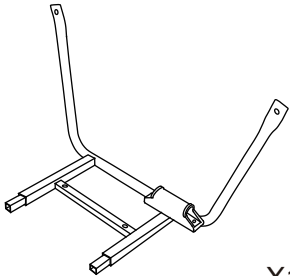
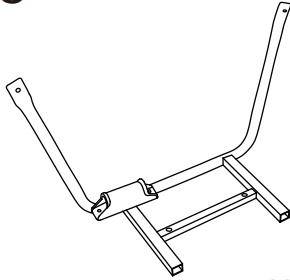
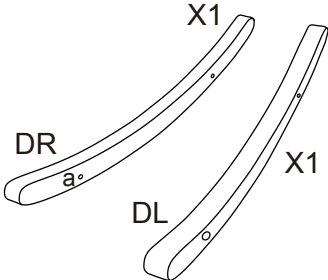
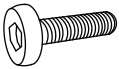
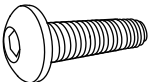
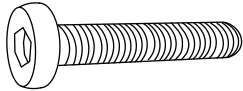
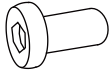
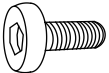




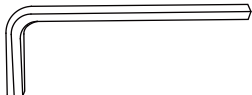
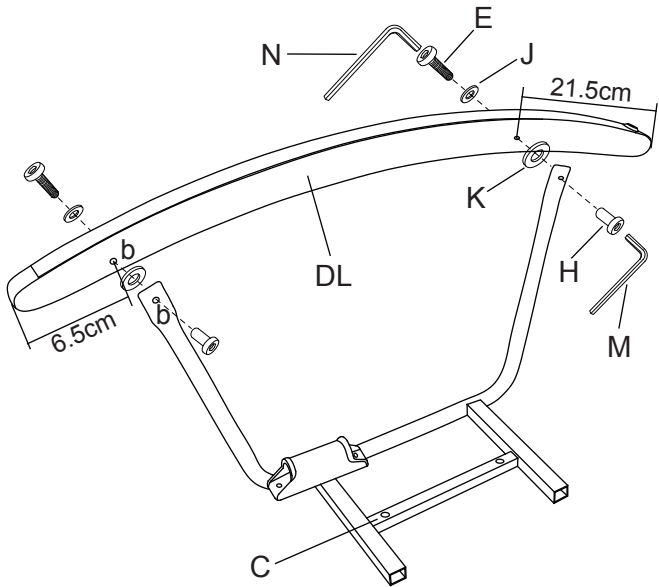


# ASSEMBLY INSTRUCTIONS

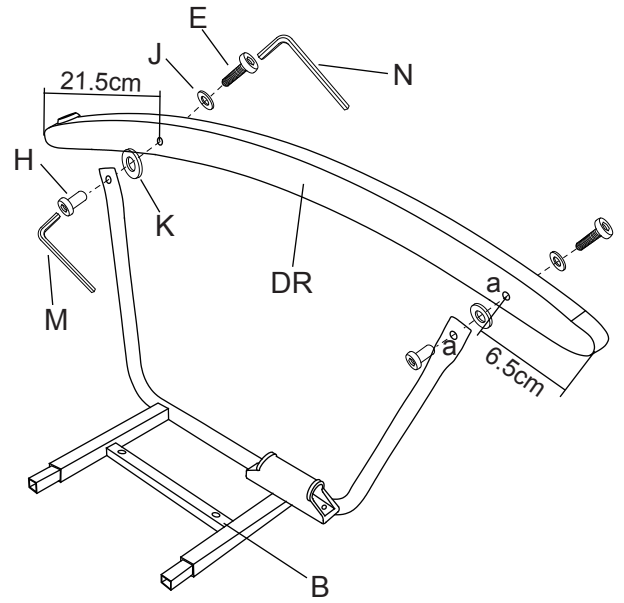
NO.: DK-250812

<p><b>AB</b></p>  <p>X1</p>	<p><b>AS</b></p>  <p>X1</p>	<p><b>AR</b></p>  <p>X1</p>	<p><b>AL</b></p>  <p>X1</p>
<p><b>AF</b></p>  <p>X1</p>	<p><b>B</b></p>  <p>X1</p>	<p><b>C</b></p>  <p>X1</p>	<p><b>DR&amp;DL</b></p>  <p>DR X1 DL X1</p>
<p><b>E</b></p>  <p>M6*25mm X8</p>	<p><b>F</b></p>  <p>M8*35mm X4</p>	<p><b>G</b></p>  <p>M8*60mm X1</p>	<p><b>H</b></p>  <p>M6 X4</p>
<p><b>I</b></p>  <p>M6*14mm X2</p>	<p><b>J</b></p>  <p>M6*16*1mm X4</p>	<p><b>K</b></p>  <p>M8*22*2mm X8</p>	<p><b>L</b></p>  <p>M8*30*4mm X1</p>
<p><b>M</b></p>  <p>M4 X1</p>	<p><b>N</b></p>  <p>M6 X1</p>		

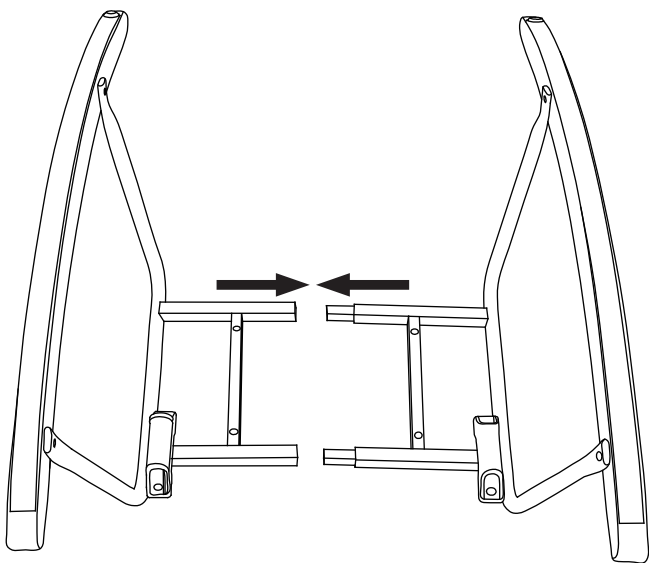
### STEP 1



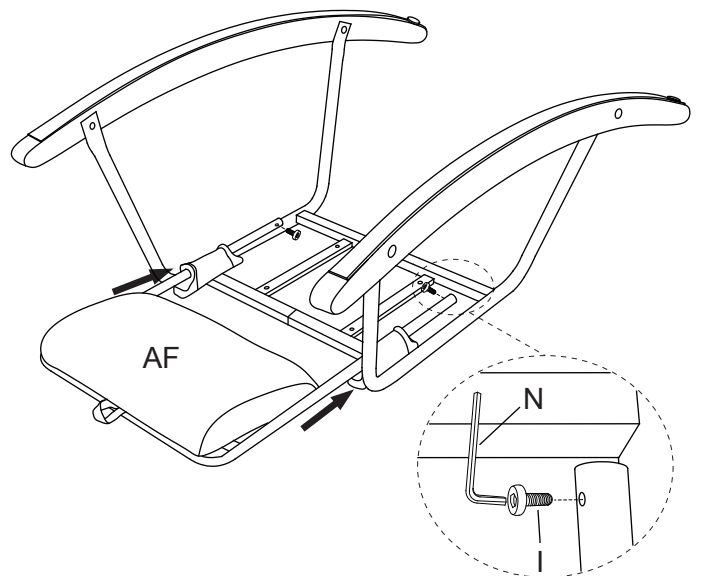
### STEP 2



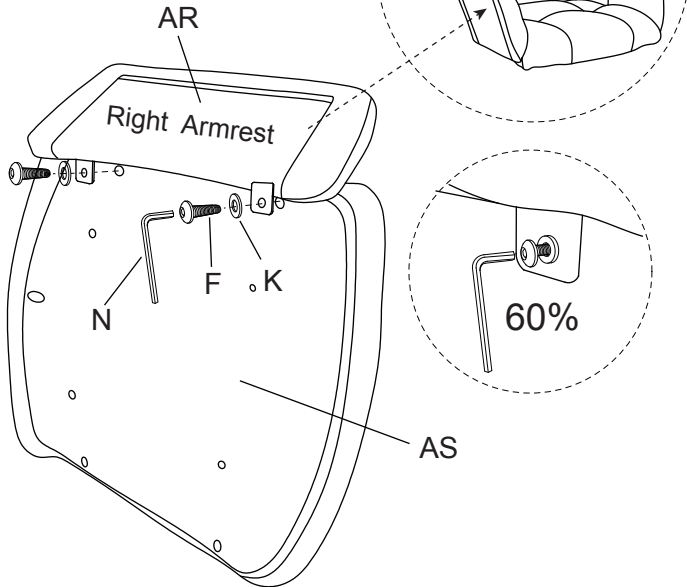
### STEP 3



### STEP 4

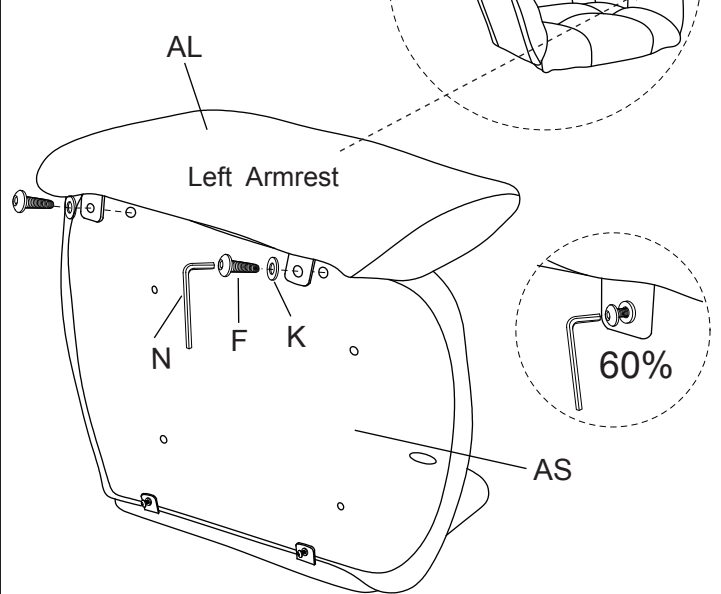


### STEP 5



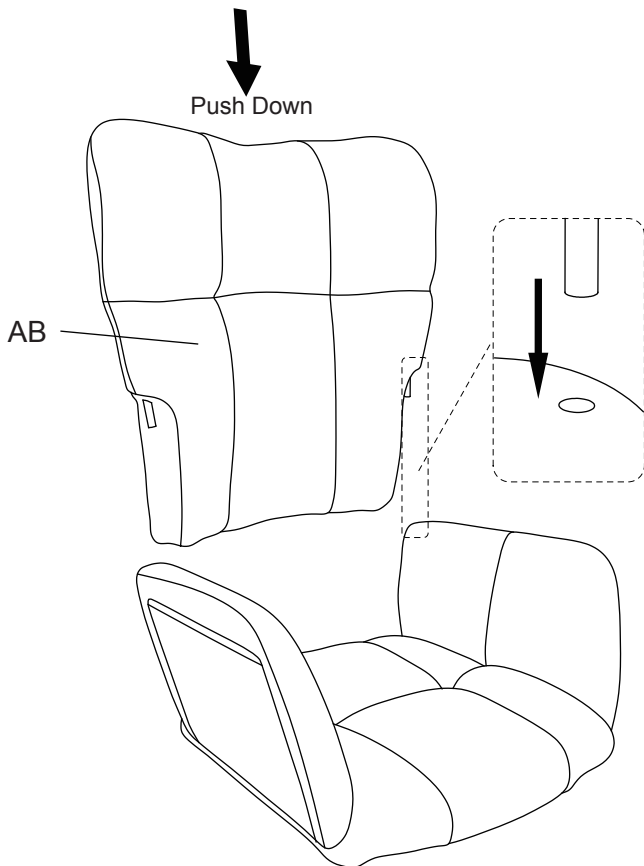
Install Left Armrest, insert the screws into the designated holes, then tighten them but do not over tighten, tightening to about 60%

### STEP 6

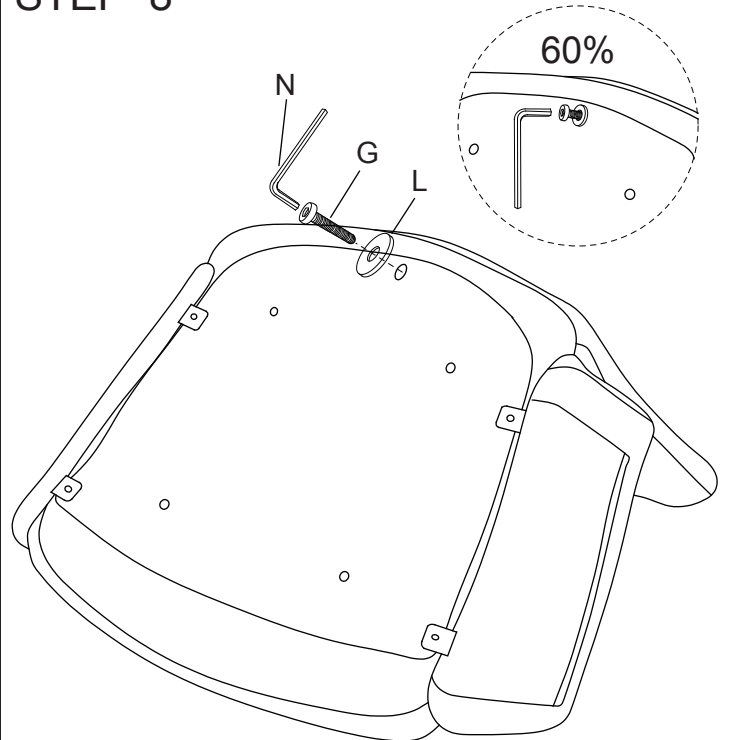


Install Right Armrest, insert the screws into the designated holes, then tighten them but do not over tighten, tightening to about 60%

### STEP 7

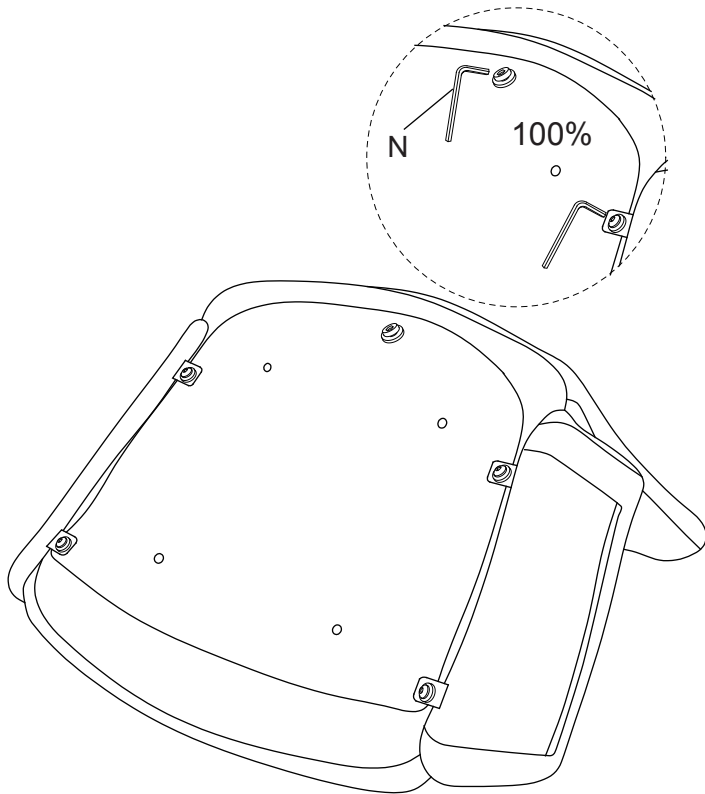


### STEP 8



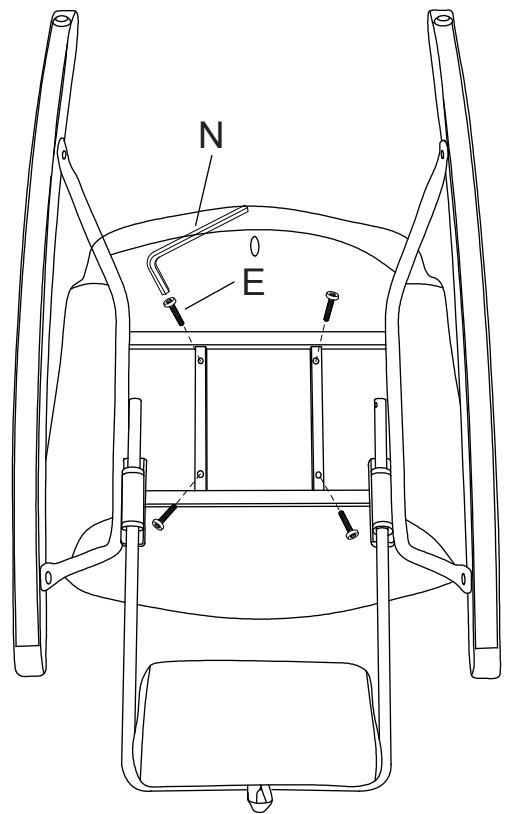
Insert the screws into the designated holes, then tighten them, but do not over tighten, tightening to about 60%

### STEP 9



Tighten all five screws fully and evenly

### STEP 10



### STEP 11



### STEP 12



### STEP 13

