



Valton™

32-1/4" undermount single-bowl kitchen sink

36596

Features

- 36" (914 mm) minimum base cabinet width
- 5-11/16" (144 mm) bowl depth for easy accessibility
- SilentShield® sound-absorption technology offers quieter performance
- 32-3/16" x 18-3/8" x 5-11/16" (818 x 467 x 144 mm)
- 3-7/8" (98 mm) drain opening
- No faucet holes; requires wall- or counter-mount faucet
- Sink rack, serving tray, and sink drain with strainer sold separately

Material

- Premium 18-gauge stainless steel

Installation

- Undermount
- Installation hardware and template included

Recommended Products/Accessories

- 36601 Sink rack
- 36604 Serving Tray
- 7400 Stainless Steel Sink Drain and Strainer
- K-23726 Drain treatment
- K-23729 Stainless steel cleaner

Included Components

- 91915 Hardware Kit



ADA

Codes/Standards

ASME A112.19.3/CSA B45.4
ADA
ICC/ANSI A117.1

STERLING® Stainless Steel Sinks Lifetime Limited Warranty

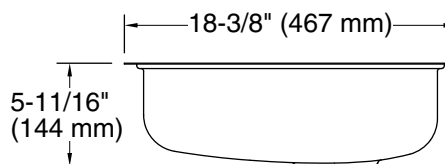
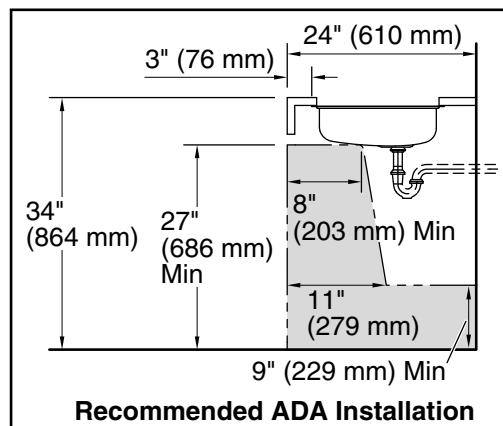
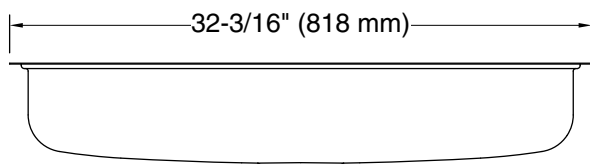
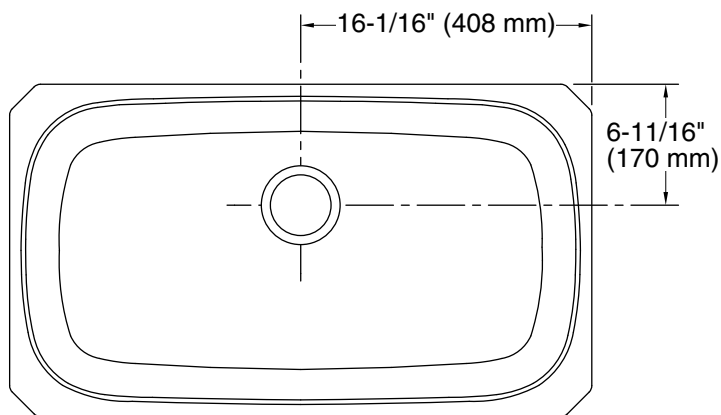
See website for detailed warranty information.

1-800-STERLING (1-800-783-7546)

Kohler Co. reserves the right to make revisions without notice to product specifications.

For the most current Specification Sheet, go to www.sterlingplumbing.com.

11-12-2025 02:12 - US/CA



Technical Information

All product dimensions are nominal.

Basin configuration: Single Bowl

Min. base cabinet width: 36" (914 mm)

Bowl area (Basin #1): Length: 30-1/8" (765 mm)
Width: 16-3/16" (410 mm)
Water depth: 5-1/2" (140 mm)

Drain hole: 3-7/8" (98 mm)

Template: Undermount, 1619034-7, required, included

Notes

Install this product according to the installation instructions.

NOTICE: Countertop manufacturer or cutter must use the cut-out template provided with the product, or a current one provided by Kohler Co. (call 1-800-4KOHLER). Kohler Co. is not responsible for cutout errors when the incorrect cut-out template is used.

ADA compliant when installed to the specific requirements of these regulations.