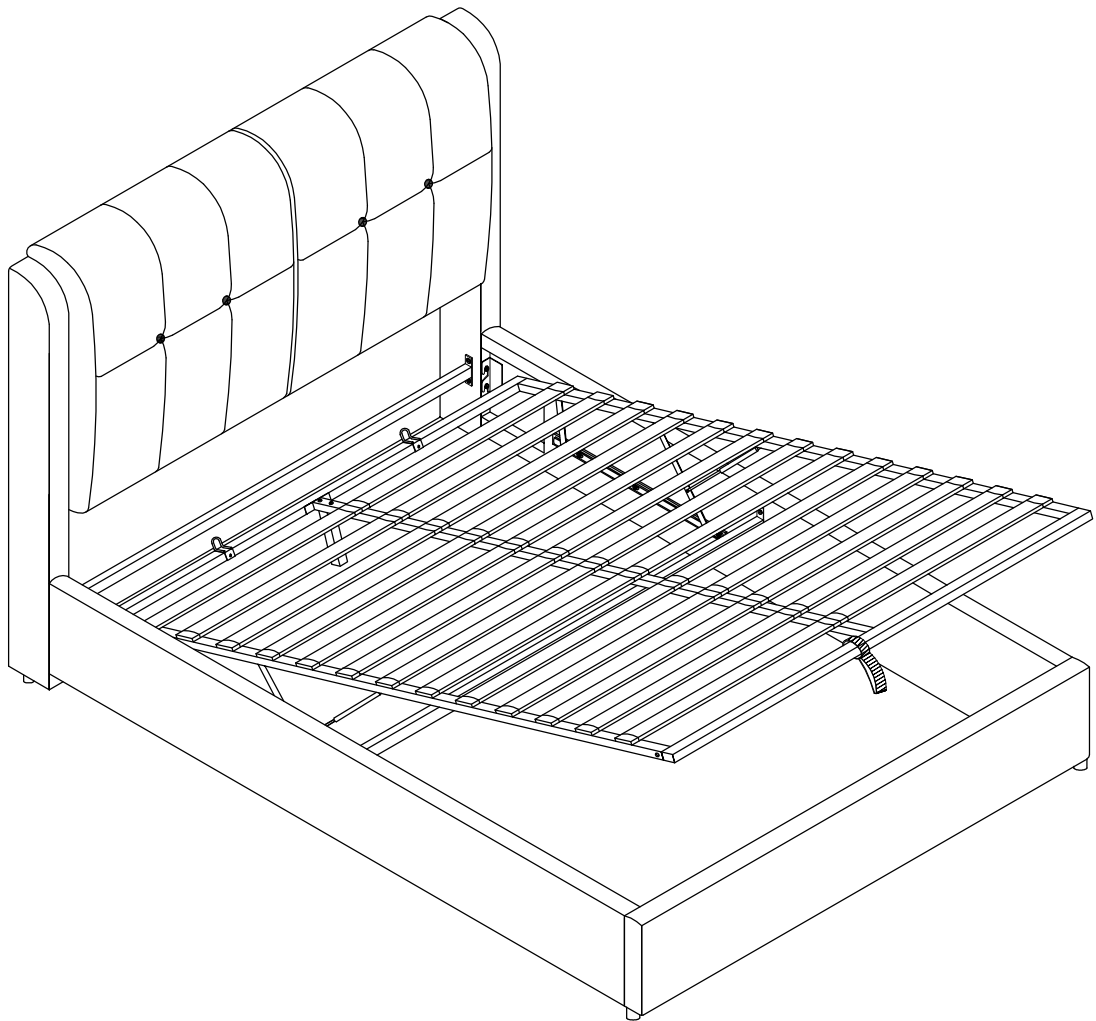
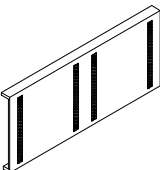
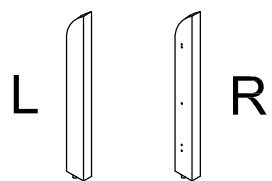
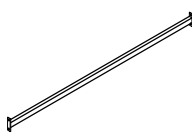
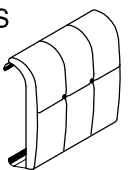
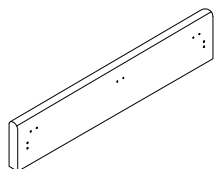
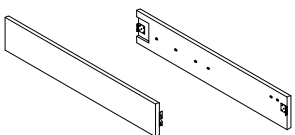
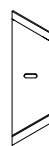
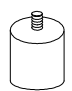
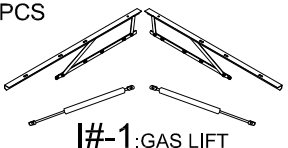
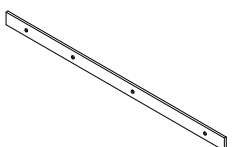
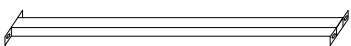
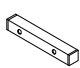
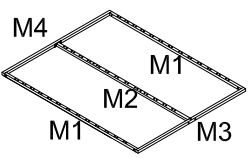

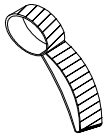
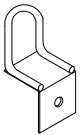
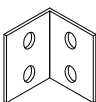
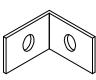
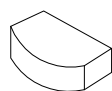
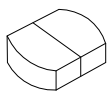
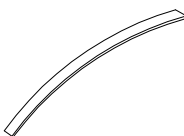
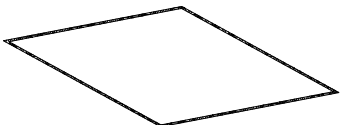


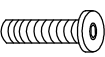
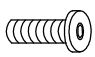
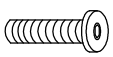
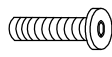
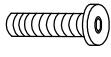







# ASSEMBLY DIAGRAM




# Parts List


<b>A:HEADBOARD 1PC</b> 	<b>B:HB LEG 2PCS</b> 	<b>C:HB SUPPORT RAIL 1PC</b> 	<b>D:HB BACK CUSHION 2PCS</b> 
<b>E:FOOTBOARD 1PC</b> 	<b>F:SIDE RAIL 2PCS LEFT AND RIGHT</b> 	<b>G:CORNER BRACKET 2PCS</b> 	<b>H : FEET 2PCS</b> 
<b>I:HINGES LEFT AND RIGHT 2PCS</b>  <p>I#-1:GAS LIFT</p>	<b>J : SIDEBAR 2PCS</b> 	<b>K : CROSS BAR 1PC</b> 	<b>L:SUPPORT BLOCK 1PC</b> 
<b>M: FRAME KD 1SETS</b> 	<b>N: SUPPORT LEG 1PC</b> 	<b>O : 1PC</b> 	<b>P:ANGLE IRON 2PCS</b> 
<b>Q : ANGLE IRON 2PCS</b> 	<b>R : ANGLE IRON 2PCS</b> 	<b>S:SLAT CAP 26PCS</b> 	<b>T:DOUBLE PLASTIC CAP 13PCS</b> 
<b>U:SLAT 26PCS</b> 	<b>V : NON-WOVEN BED BASE 1PC</b> 		


# Hardware List

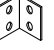
<b>1:BOLT 15PCS</b>  <p>M8X50mm</p>	<b>2:BOLT 12PCS</b>  <p>M8X30mm</p>	<b>3:BOLT 10PCS</b>  <p>M6X50mm</p>	<b>4:BOLT 12PCS</b>  <p>M6X15mm</p>	<b>5:BOLT 12PCS</b>  <p>M6X25mm</p>	<b>6:NUT 14PCS</b> 
<b>7:FLAT WASHER 27PCS</b>  <p>M8</p>	<b>8:SPRING WASHER 27PCS</b>  <p>M8</p>	<b>9:ALLEN KEY 1PC</b>  <p>M8</p>	<b>10:SPANNER 1PC</b> 	<b>11:FLAT WASHER 34PCS</b>  <p>M6</p>	<b>12:ALLEN KEY 1PC</b>  <p>M6</p>

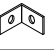
### STEP 1

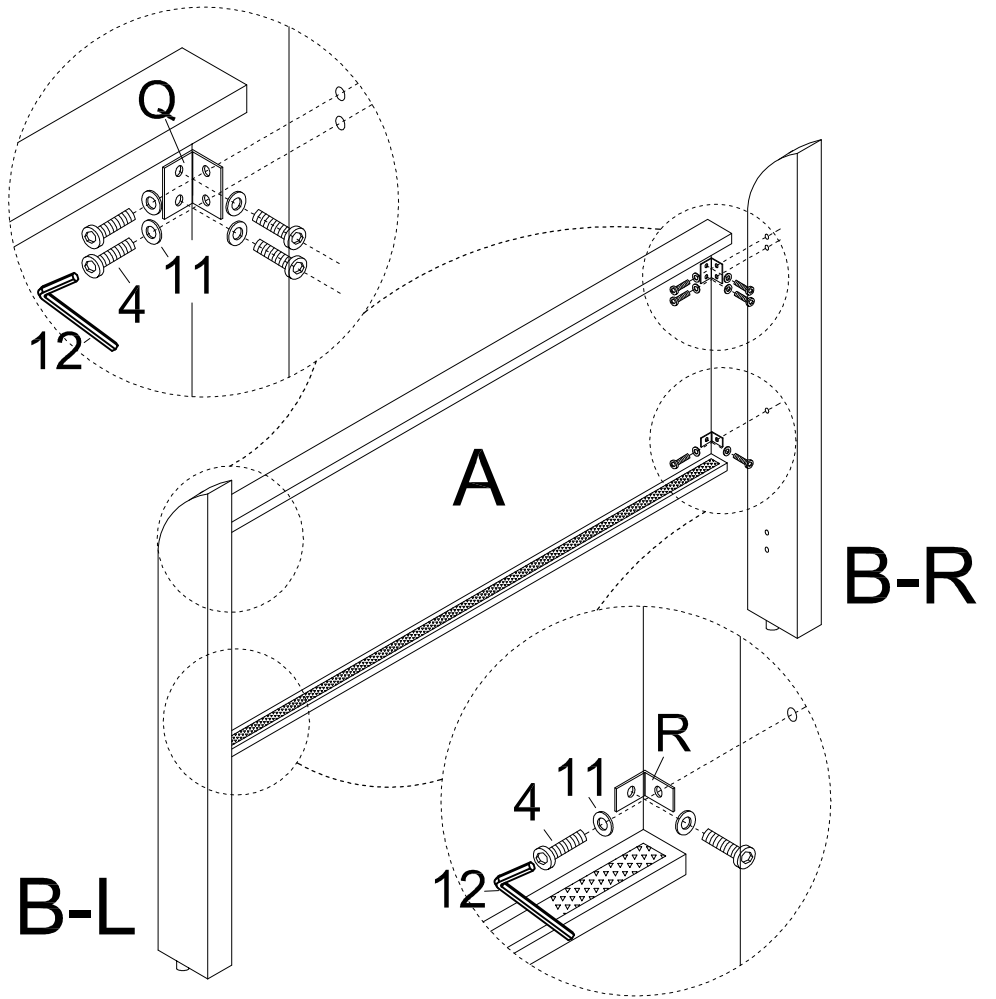
4  12PCS

11  12PCS


12  1PC


Q  2PCS

R  2PCS




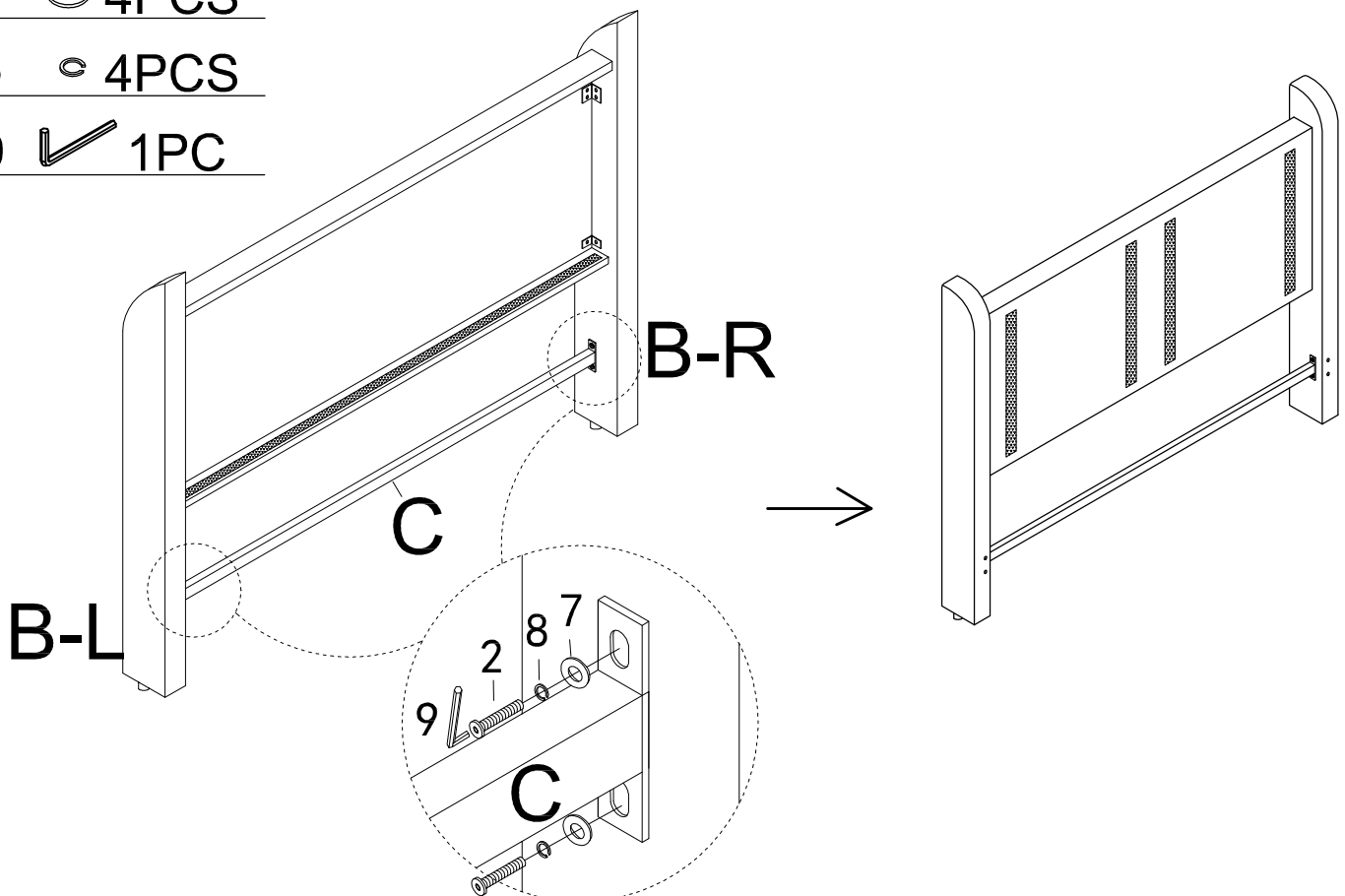
### STEP 2

2  4PCS


7  4PCS

8  4PCS


9  1PC





### STEP 3


2  8PCS


7  8PCS


8  8PCS

9  1PC

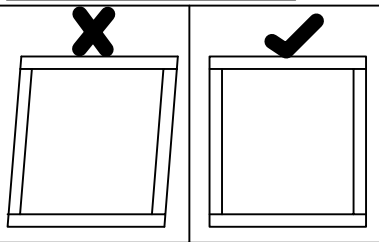
3  2PCS

11  2PCS

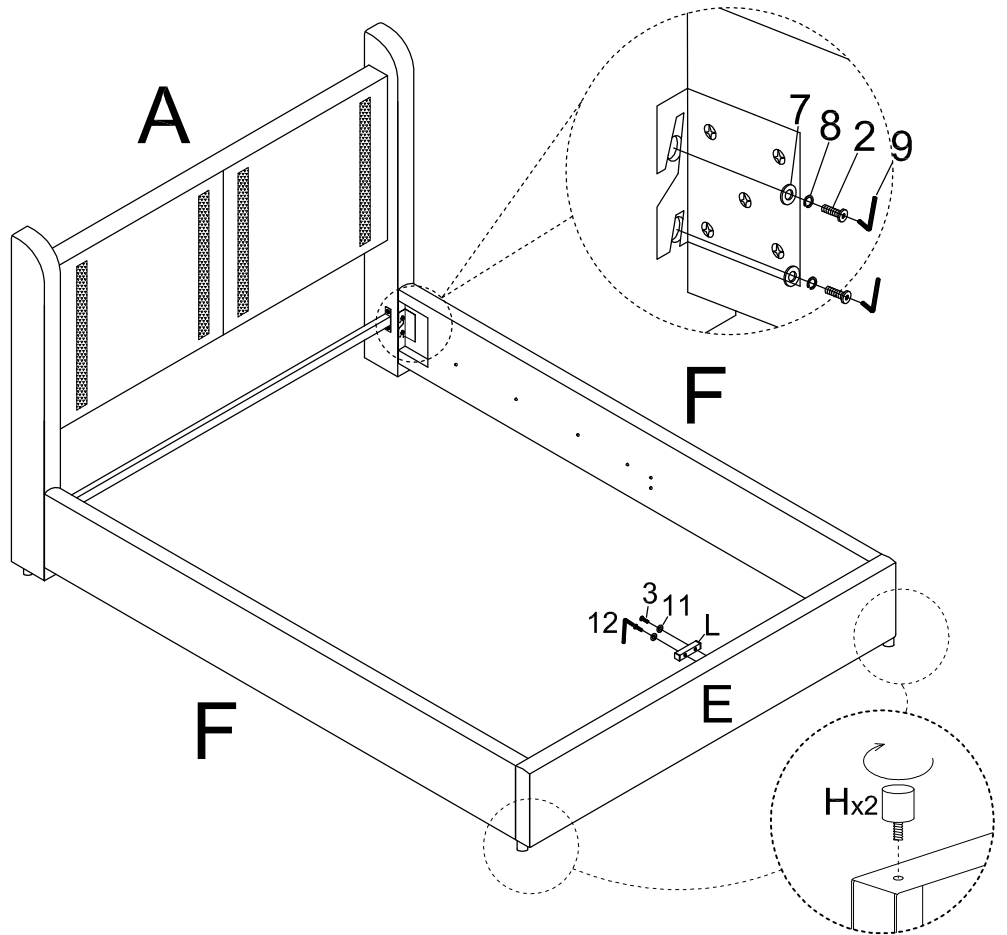
12  1PC

L  1PC

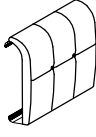
H  2PCS

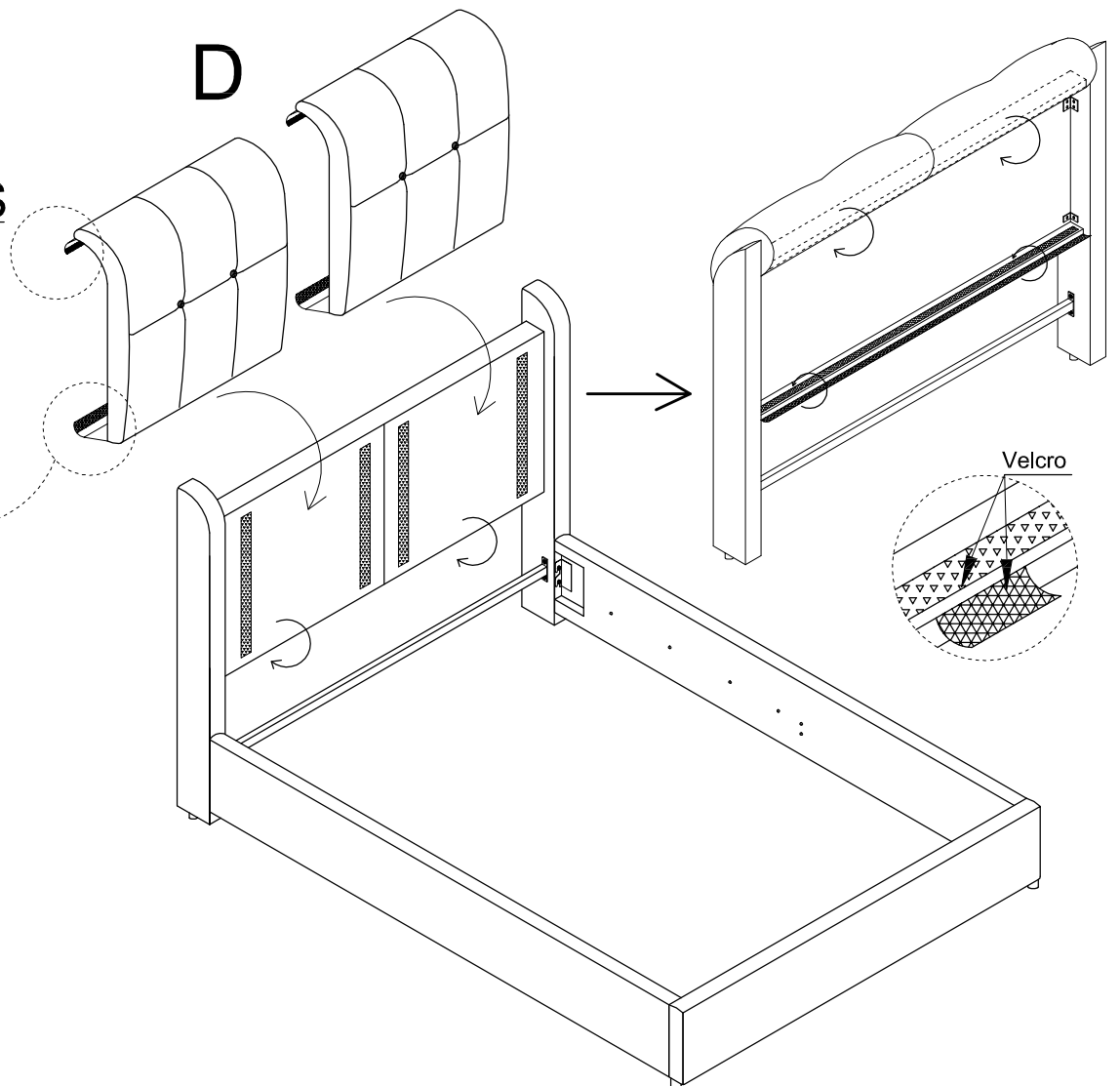
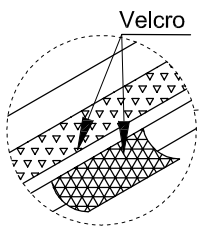


**Note:** Ensure that footboard, headboard and side rails are square.




### STEP 4

D  2PCS




## STEP 5

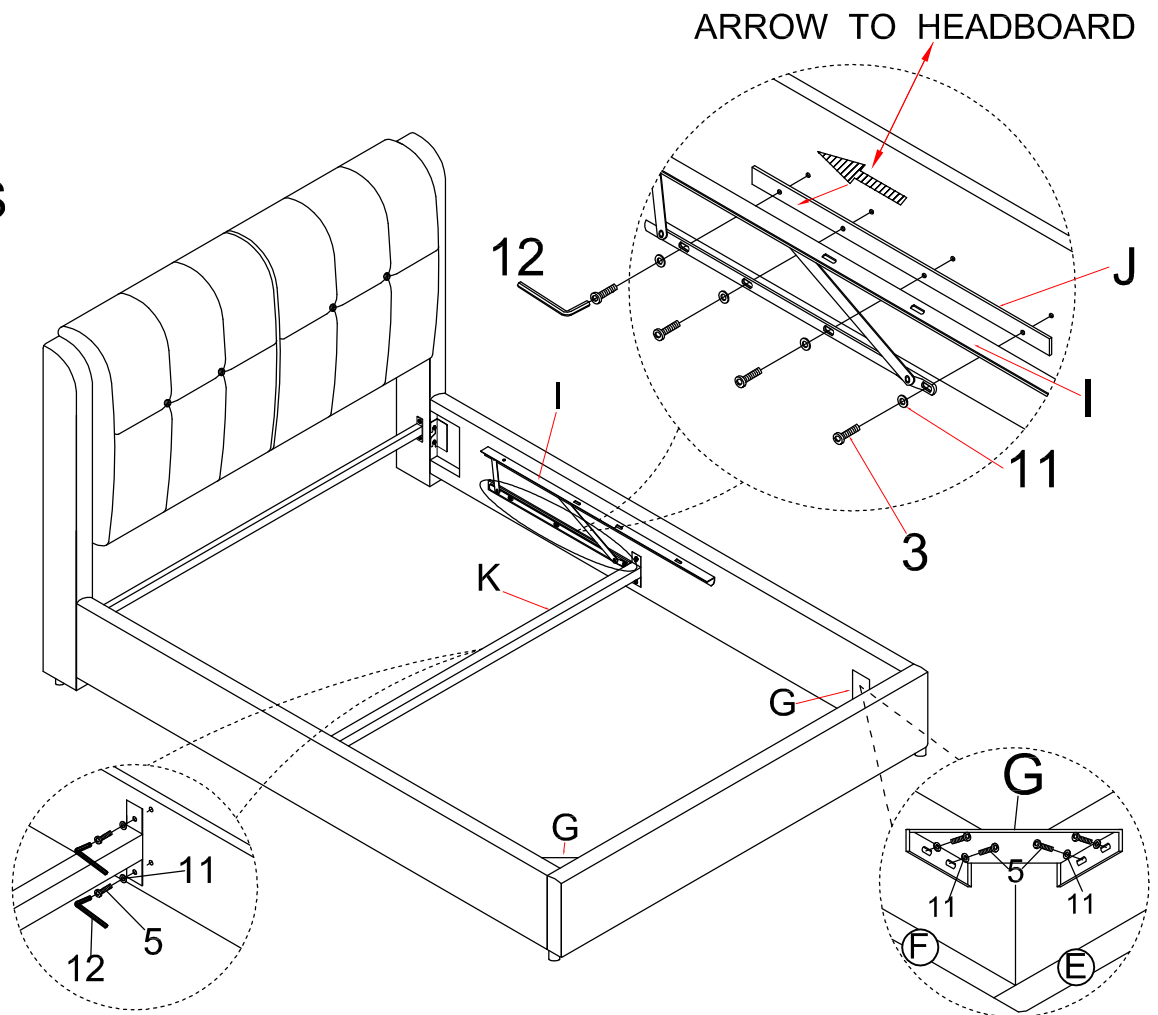
3  8PCS

5  12PCS

11  20PCS

G  2PCS

12  1PC




## STEP 6

1  10PCS

7  10PCS

8  10PCS

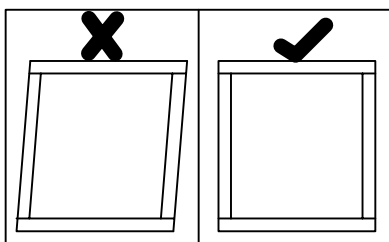
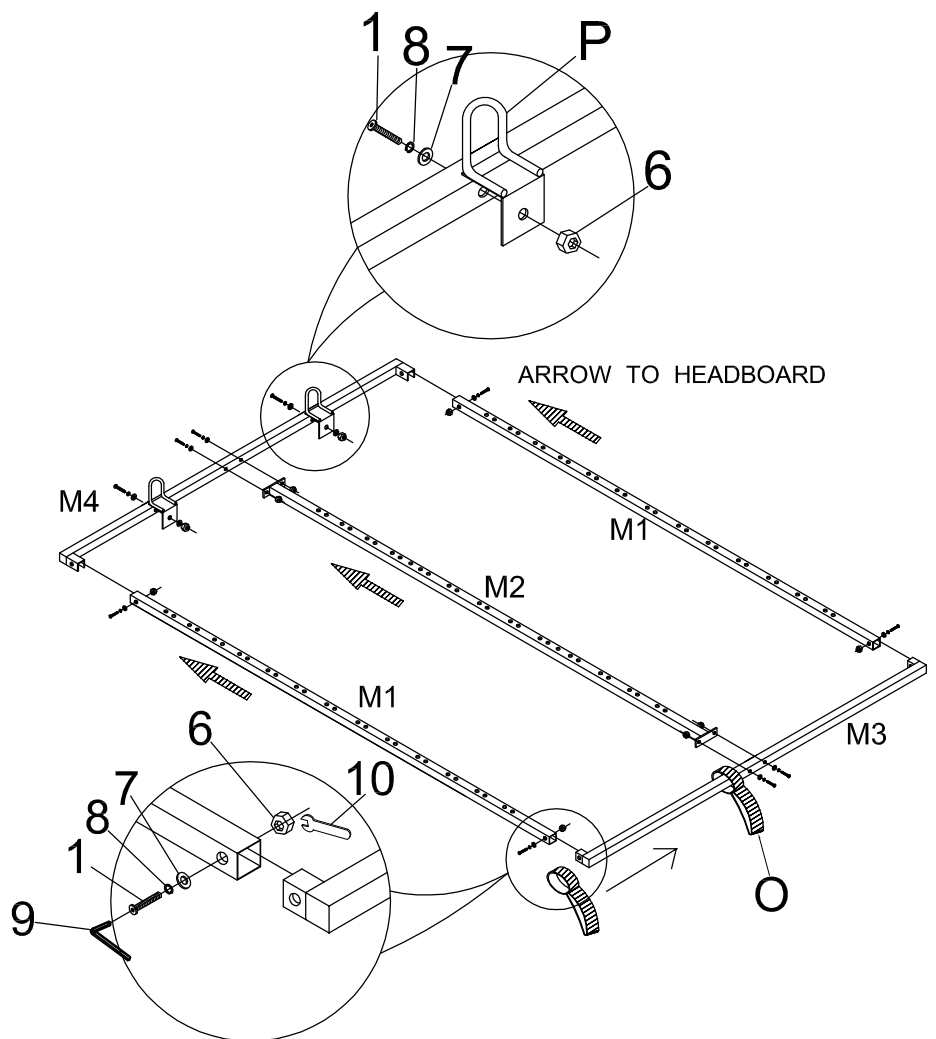
6  10PCS

9  1PC

10  1PC

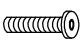
P  2PCS

O  1PC





Note: Ensure that Frame assembly s are square.


## STEP 7


1  5PCS


7  5PCS

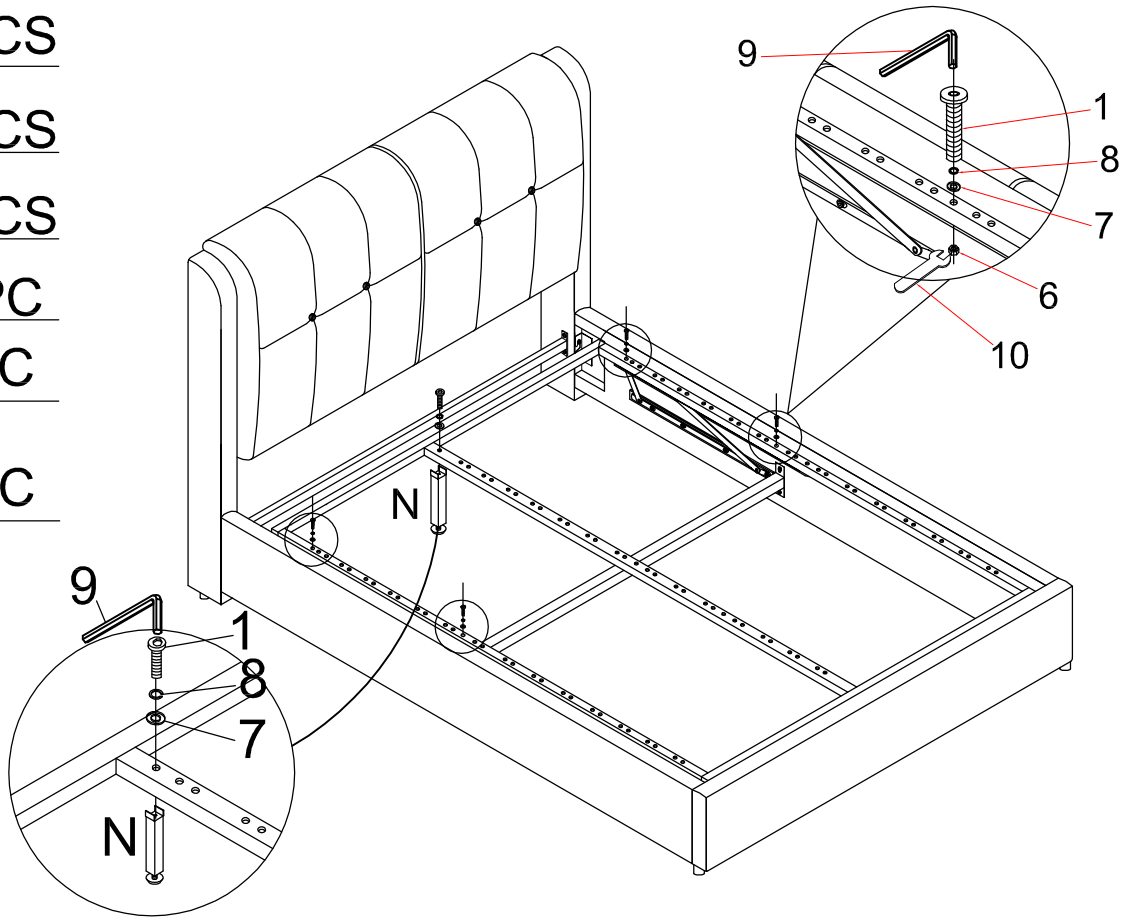
8  5PCS

6  4PCS


9  1PC


10  1PC


N  1PC

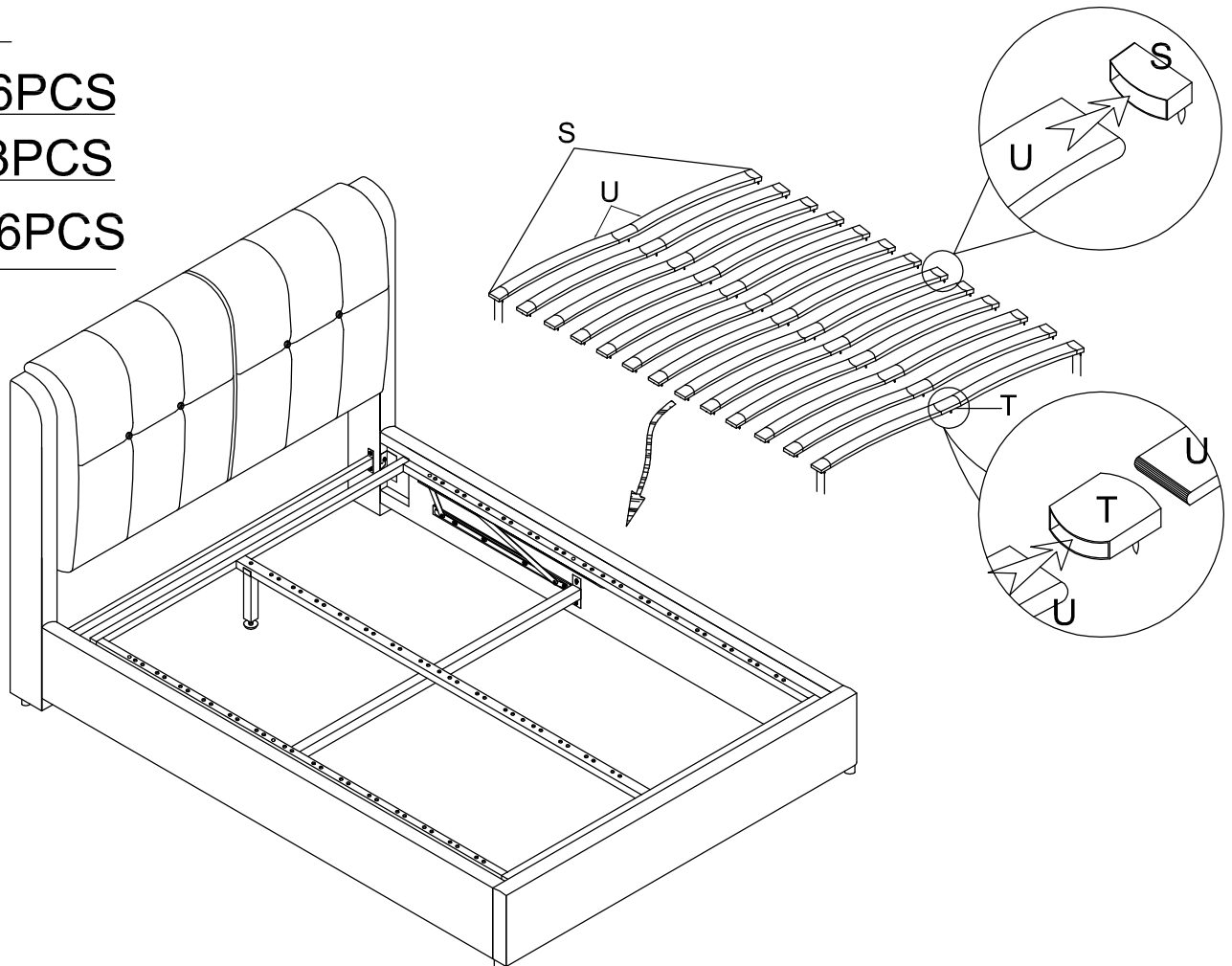


## STEP 8

S  26PCS

T  13PCS

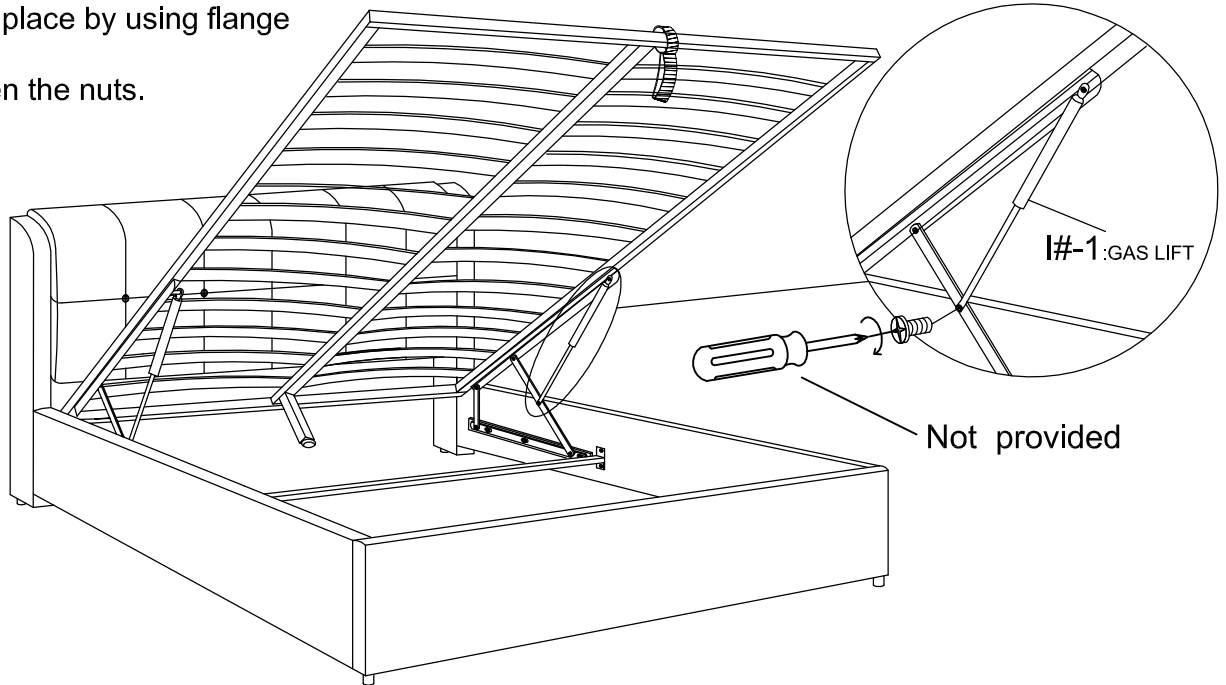
U  26PCS



## STEP 9

### Assembly Instructions

Please ensure the pneumatic arm is the correct orientation. The thinner section should be attached to the side rail and the thicker part is connected to the slat frame. secure the pneumatic lifting mechanisms on the side rails place by using flange nuts as shown. Do not overtighten the nuts.



## STEP 10

V  1PC

### Assembly Instructions

1: Attach woven fabric  
Turn bed on its side and attach woven fabric (V) to base.

Please note: Before lowering the slat frame into position, place the mattress on the slat frame. The weight of the mattress will help with the lowering of the frame.

Mattress weight limit:

50kgs.

Assembly is completed.

