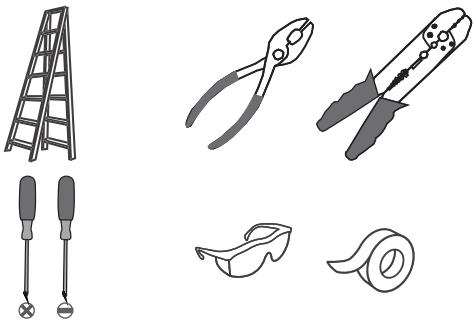
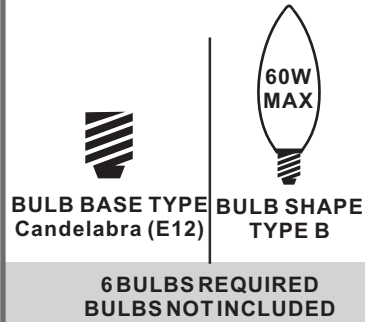


Tools Required



Light Source



**Fixture Height Adjustable
29" to 65"**

⚠ Warnings and Cautions

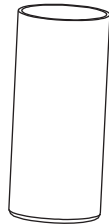
Turn off the electricity at the circuit breaker before installation. Consult a licensed electrician if in doubt about installation.

Turn off power to the fixture and allow the bulbs to cool before replacing.

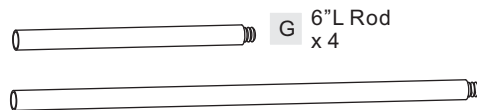
Package Contents

Preparation: Identify and inspect all parts before beginning the installation.

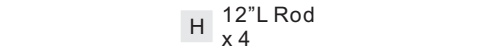
Missing or damaged parts? Contact your original place of purchase.



F Shade x 6



G 6" L Rod x 4

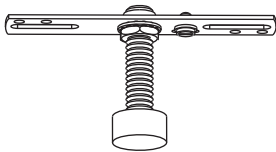


H 12" L Rod x 4

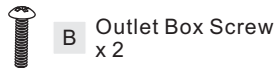


I Stem x 2

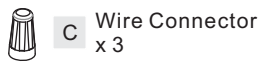
PARTS BAG



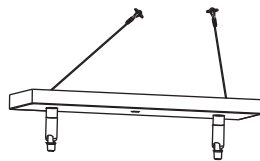
A Crossbar Assembly x 1



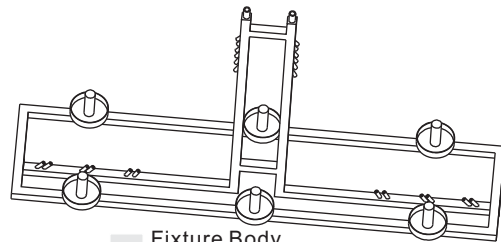
B Outlet Box Screw x 2



C Wire Connector x 3



D Ceiling Canopy x 1



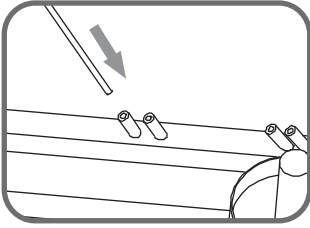
E Fixture Body x 1

Table of Contents

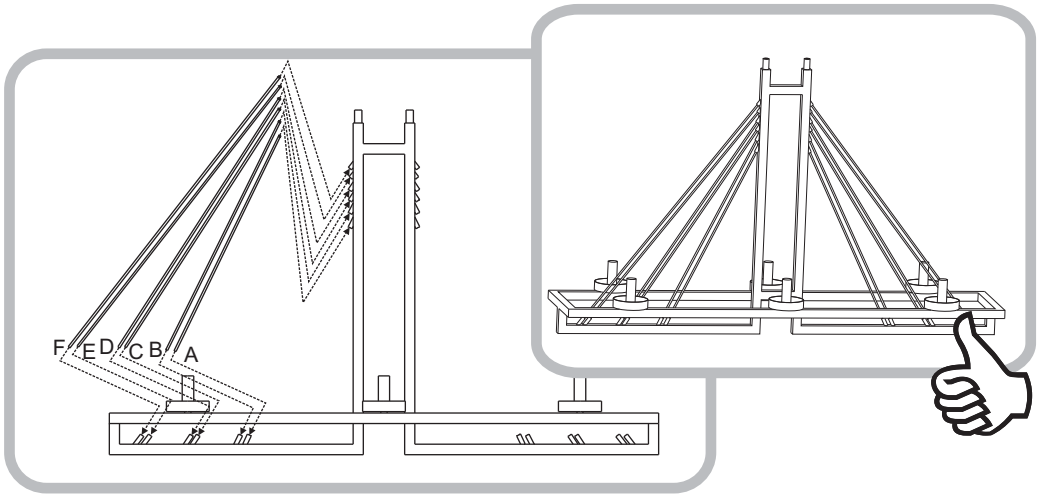
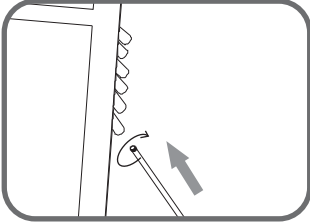
Fixture Body	Rods	Crossbar Assembly	Ceiling Canopy
STEP 1	STEP 2	STEP 3	STEP 4
Lanyard	Wiring	Ceiling Canopy	Shade and Bulb
STEP 5	STEP 6	STEP 7	STEP 8

STEP 1

1



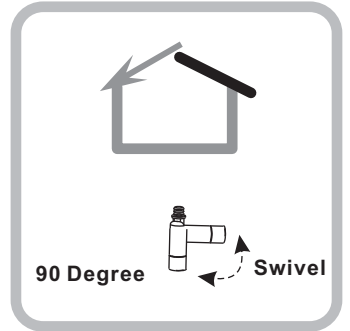
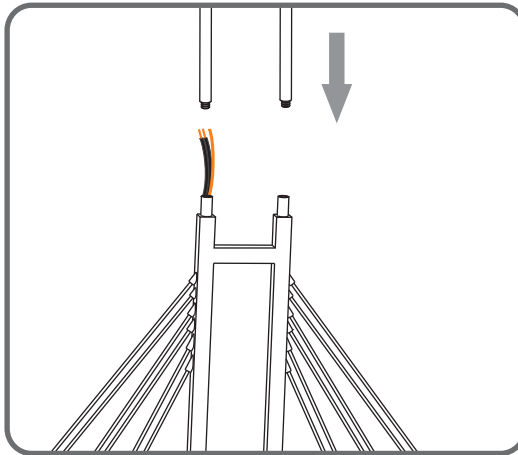
2



STEP 2

Optional Rods

- 8' ceiling:**
(2) 6" L rods
- 9' ceiling:**
(2) 6" L + (2) 12" L rods
- 10' ceiling:**
(2) 6" L + (4) 12" L rods

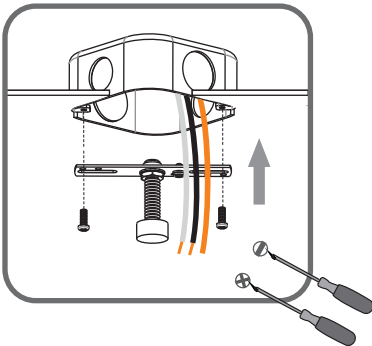


For angled ceilings,
Swivel opening towards wall.

STEP 3

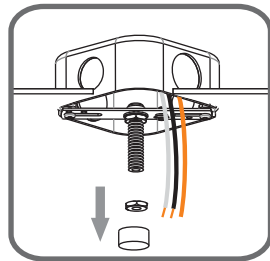
1

Step 1
Install crossbar assembly

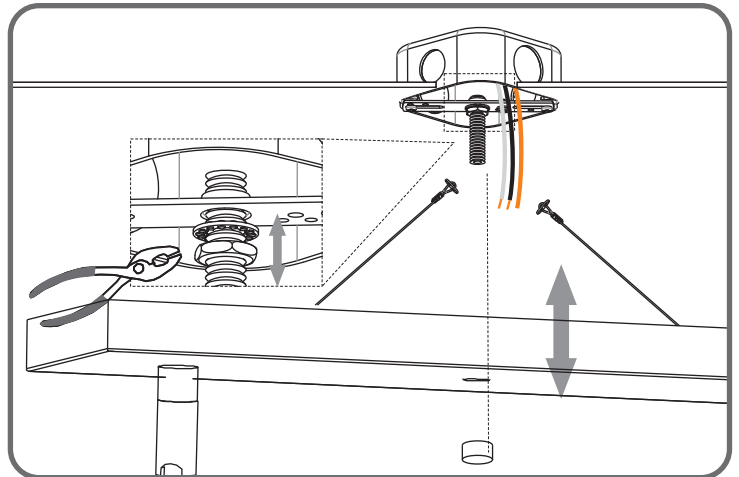


2

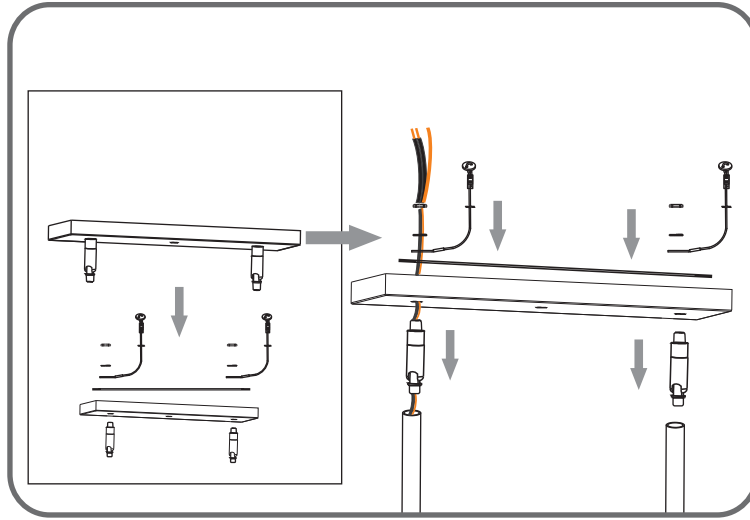
Step 2 - 3
Test fitting ceiling canopy to nipple



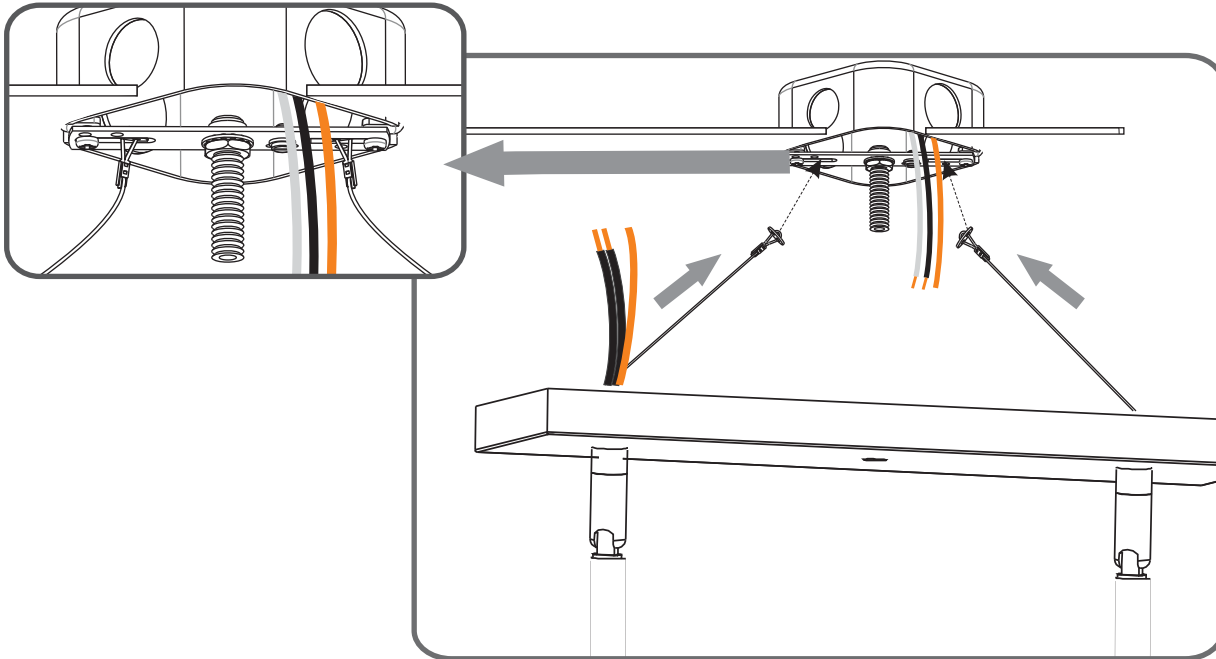
3



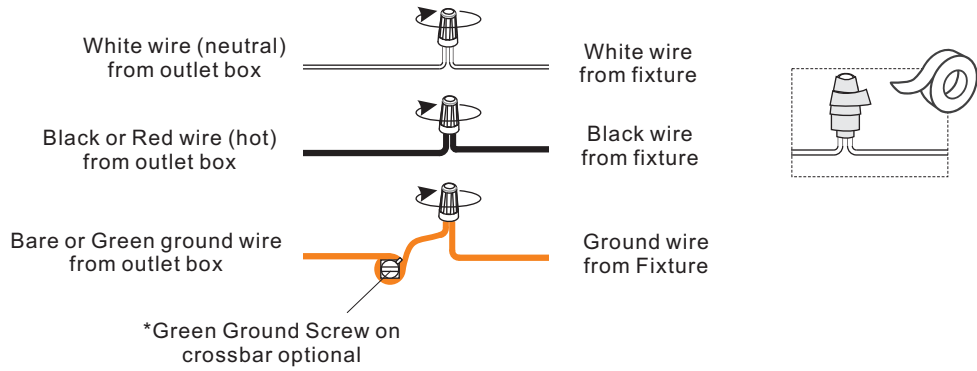
STEP 4



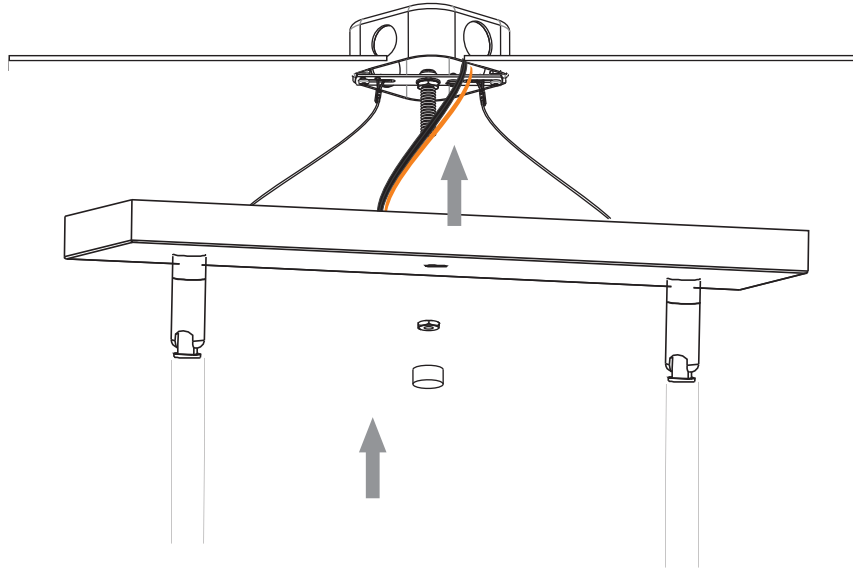
STEP 5



STEP 6



STEP 7



STEP 8

