

# SLIDING DOORS ASSEMBLY INSTRUCTIONS I




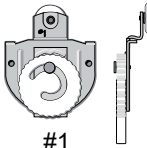
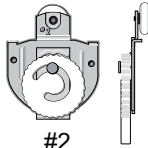



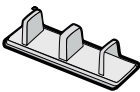
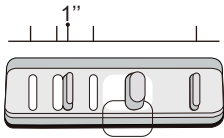
## IMPORTANT

Please read carefully  
 Protect your eyes when handling metal parts, wear safety goggles  
 Follow all steps in order and complete each step before starting the next step.



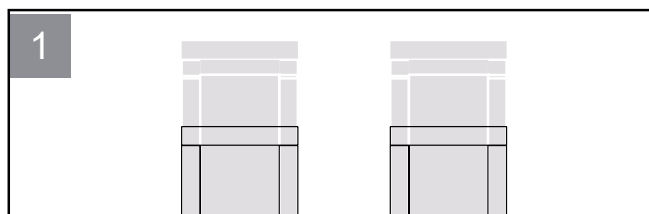
✉ DoorCSTeam@outlook.com

### What's Included

<p>Fascia</p>  <p>(x1)</p>	<p>Top Track</p>  <p>(x1)</p>  <p>(x12)</p>	<p>Top Connectors</p>  <p>#1 (x2)</p>  <p>#2 (x2)</p>  <p>(x8)</p>
<p>Door Bumper</p>  <p>(x8)</p>  <p>(x2)</p>	<p>Floor Guide</p>  <p>(x1)</p>  <p>Place the plastic plug at this position</p>	

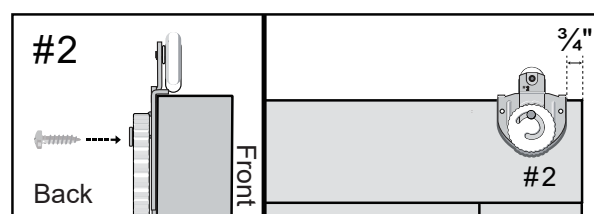
### Installation Steps

#### Step 1

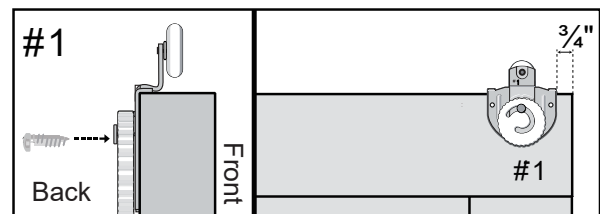


Two slabs are identical.

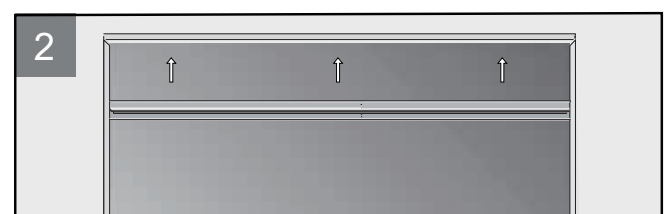
#### Step 1.2



#### Step 1.1

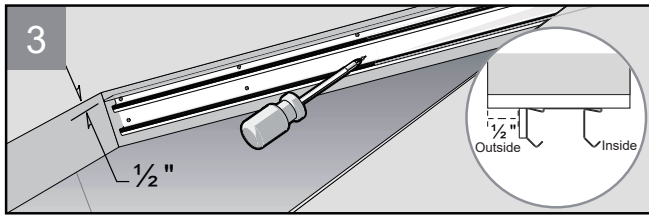


#### Step 2

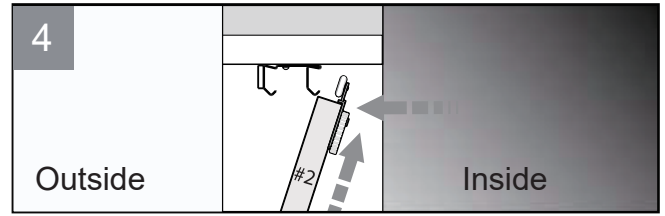


# Installation Steps

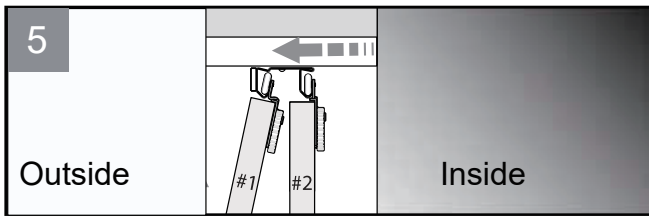
## Step 3



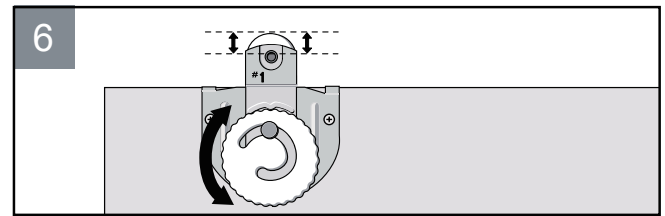
## Step 4



## Step 5

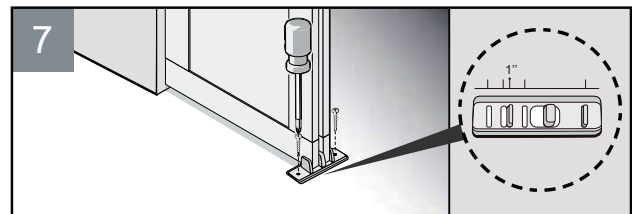


## Step 6



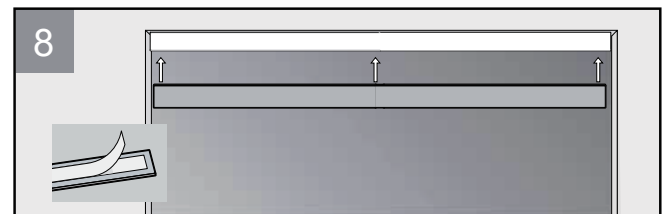
Rotate to adjust door up or down.

## Step 7



Place the plastic plug at this position

## Step 8



Adhere the Fascia to the track