

# Owner's Manual



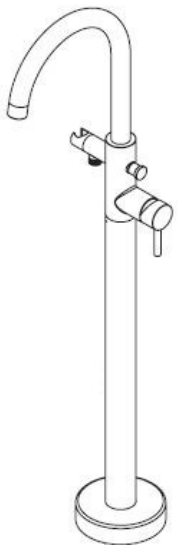
## Freestanding Tub Filler

Copyright akdyusa.com © 2016

Office: +1 (888) 808-0450  
Email: [help@akdyusa.com](mailto:help@akdyusa.com)

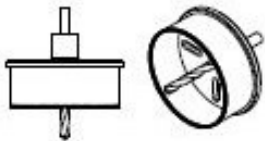
Distributed by akdyusa.com  
Manufactured by AKDY

FOR RESIDENTIAL USE ONLY IN US & CA  
WARRANTY VOID OUTSIDE US & CA  
Revised 11/16



# Tools Required & Parts List

## Tools Required



The following tools are recommended for installation:

- Screwdriver
- Adjustable wrench
- Teflon tape
- Drill
- Hole saw

## Tub Filler Parts List



Your tub filler comes preassembled ready for installation. A parts list is given if you require replacement parts:

1. Spout
2. Faucet
3. Cartridge
4. Handle
5. Post
6. Floor cap
7. Screws
8. Mounting bracket
9. Water supply lines
10. Flexible hose
11. Handheld shower

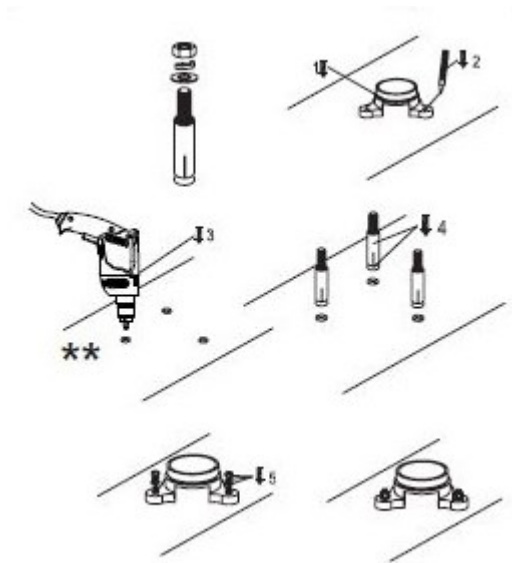
(Picture shown may vary from the product.)

# Tub Filler Installation

## General Installation

Steps given are for general installation only. If you require assistance, please contact a plumber.

1. Take the included mounting bracket and mark the location of the screw holes.
2. Use a drill to prepare the floor for mounting.
3. Secure the mounting bracket to the floor with the included screws.
4. Use Teflon tape for the hot and cold water lines
5. Connect your water lines.
6. Check for leaks.



## Sub Floor Installation

Depending on your home, subfloor installation is possible. Installation is the same as the steps given in the general installation. The mounting bracket will be secured directly to the subfloor.

