

## FEATURES & SPECIFICATIONS

**INTENDED USE** — Ideal for damp/wet locations such as outdoor venues, canopies and locker rooms. Not for use or installation in direct outdoor sunlight. Must be installed under canopy or covered ceiling. For direct sunlight installations, please refer to the FEX product family. **Certain airborne contaminants can diminish integrity of acrylic and/or polycarbonate.** [Click here for Acrylic-Polycarbonate Compatibility table for suitable uses.](#)

Certain airborne contaminants may adversely affect the functioning of LEDs and other electronic components, depending on various factors such as concentrations of the contaminants, ventilation, and temperature at the end-user location. [Click here for a list of substances that may not be suitable for interaction with LEDs and other electronic components.](#)

### CONSTRUCTION

- Light Gray Polycarbonate housing
- Frosted Polycarbonate lens
- Poured in place polyurethane gasket
- Polycarbonate Latches, optional stainless steel latches available.
- Standard 1/2" wet location fitting

### ELECTRICAL

- High Efficiency LEDs meet DLC Standard
- MVOLT (120-277V) & 347V
- 0-10V Dimming standard

Luminaire Surge Protection Level: Designed to withstand up to 2.5kV/0.75kA per ANSI C82.77-5-2015. For applications requiring higher level of protection additional surge protection must be provided.

### INSTALLATION

- Surface (wall, ceiling) using standard brackets (301 stainless steel) includes bail for chain hanging
- Suspended (chain, cable) using standard brackets (301 stainless steel)

### LISTINGS

- CSA Certified to UL & C-UL Standards for wet location
- IP65, IP66 rated per IEC60529
- NSF Splash zone rated
- FCC Title 47, Part 15 Subpart B compliant
- 2.5kV/0.75kA Surge Rated per ANSI C82-77-5-2015
- IK10 rated
- CSA Ambient Listings on Page 3
- Lumen Maintenance Listed on Page 3
- NEMA 4X

DesignLights Consortium® (DLC) qualified product. Not all versions of this product may be DLC qualified. Please check the DLC Qualified Products List at [www.designlights.org/QPL](http://www.designlights.org/QPL) to confirm which versions are qualified.

### GOVERNMENT PROCUREMENT

**BAA** – Buy American Act: This product is available in a version that qualifies as a domestic end product under the Buy American Act as implemented in the FAR and DFARS.

**BABA** – Build America Buy America: This product is available in a version that qualifies as produced in the United States under the definitions of the Build America, Buy America Act, as implemented by 2 C.F.R. Part 184 and other agency implementing regulations, including Department of Transportation regulations. Please refer to [www.acuitybrands.com/buy-american](http://www.acuitybrands.com/buy-american) for additional information.

**WARRANTY** — 5-year limited warranty. This is the only warranty provided and no other statements in this specification sheet create any warranty of any kind. All other express and implied warranties are disclaimed. Complete warranty terms located at: [www.acuitybrands.com/support/warranty/terms-and-conditions](http://www.acuitybrands.com/support/warranty/terms-and-conditions)

**Note:** Actual performance may differ as a result of end-user environment and application. All values are design or typical values, measured under laboratory conditions at 25 °C. Specifications subject to change without notice.

Catalog Number
Notes
Type

## Vapor Tight LED Strip Light

# CSV T



### A+ Capable Luminaire

This item is an A+ capable luminaire, which has been designed and tested to provide consistent color appearance and out-of-the-box control compatibility with simple commissioning.

- All configurations of this luminaire meet the Acuity Brands' specification for chromatic consistency
- This luminaire is part of an A+ Certified solution for nLight® or XPoint™ Wireless control networks marked by a shaded background\*

To learn more about A+, visit [www.acuitybrands.com/aplus](http://www.acuitybrands.com/aplus).

\*See ordering tree for details

# CSVT Vapor Tight LED Strip Light



Looking for Contractor Select readily available configurations? Click here to visit Contractor Select™ spec sheet or go to [www.contractorselect.com](http://www.contractorselect.com)



A+ Capable options indicated by this color background.

## ORDERING INFORMATION

Lead times will vary depending on options selected. Consult with your sales representative.

**Example:** CSVT L48 6000LM LPPFL MD MVOLT GZ10 40K 80CRI

Series	Length	Lumen Output	Diffuser	Distribution	Voltage
CSVT Linear LED Vapor Tight	L24 24" ‡	2000LM 2,000 lumens ‡	LPPFL Polycarbonate, low profile frosted	MD Medium distribution	MVOLT 120-277V
		3000LM 3,000 lumens ‡			UVOLT 120-347 ‡
		4000LM 4,000 lumens ‡			120 120V, utilizing MVOLT driver
		ALO30 Switchable lumens, 2000LM/3000LM/4000LM			208 208V, utilizing MVOLT driver
	L48 48"	3000LM 3,000 lumens ‡			240 240V, utilizing MVOLT driver
		4000LM 4,000 lumens ‡			277 277V, utilizing MVOLT driver
		5000LM 5,000 lumens ‡			120U 120V, utilizing UVOLT driver ‡
		6000LM 6,000 lumens ‡			208U 208V, utilizing UVOLT driver ‡
		ALO3 Switchable lumens, 3000LM/4000LM/5000LM			240U 240V, utilizing UVOLT driver ‡
L96 96"	6000LM 6,000 lumens ‡	277U 277V, utilizing UVOLT driver ‡			
	8000LM 8,000 lumens ‡	347U 347V, utilizing UVOLT driver ‡			
	10000LM 10,000 lumens ‡				
	12000LM 12,000 lumens ‡				
	ALO4 Switchable lumens, 6000LM, 8000LM, 10000LM				

Driver	Color temperature	Color rendering index	Options
GZ10 0-10V dimming	35K 3500K ‡	80CRI 80 CRI	STSL Stainless steel latches
	40K 4000K ‡		E7W Emergency battery pack, <a href="#">7W</a> , Certified in CA Title 20 MAEDBS ‡
	50K 5000K ‡		E10W Emergency battery pack, <a href="#">10W</a> , Certified in CA Title 20 MAEDBS ‡
	SWW3 Switchable white, 35K / 40K / 50K		ETS Emergency lighting control device for UL924 operation when using auxiliary generator or central inverter
			WLFEND2 Wet location fitting (fittings out both ends) ‡
			WLFMP4X Wet location fitting for pendant mounting, NEMA Type 4X rated
			QMB (2) Quick mount brackets (304SS)
			BAA Buy America(n) Act and/or Build America Buy America Qualified
			<b>Cordsets:</b>
			CNP16WWL Cord, no plug, 16 gauge, 3 conductors, white, wet locations, 6 feet, other lengths available ‡
			CNP164CWLL Cord, no plug, 16 gauge, 4 conductors for use with EM battery, white, wet locations, 6 feet, other lengths available
			CNP165CWLL Cord, no plug, 16 gauge, 5 conductors for use with ER controls or ETS device with 2 power sources, white, wet locations, 6 feet, other lengths available ‡
			CNP165CDWWL Cord, no plug, 16 gauge, 5 conductors for 0-10V dimming, white, wet locations, 6 feet, other lengths available ‡
			CMCMBH16YWL Cord with Brad Harrison Mini Change® male connector, nonmetallic coupling nut, 3 pole, 16 gauge, yellow, wet location, 6 feet, other lengths available ‡
			MCRMBH16WL Receptacle with Brad Harrison Mini Change® male connector, stainless steel coupling nut, 3 pole, 16 gauge leads, wet location ‡
	<b>Individual Controls ‡</b>		
	SSE PIRKO 360° integral low mount motion sensor (standard on/off operation)		
	SSE PIRKO D 3V 360° integral low mount motion sensor with dimming (low trim set at 30%)		
	SSE PIRKO P 360° integral low mount motion sensor with photocell		
	<b>nLight Wireless Controls ‡</b>		
	NLTAIR2 APIRKO nLight (wireless) gen 2 low mount occupancy & daylight <a href="#">sensor</a>		

NOTE: ‡ indicates option chosen has ordering restrictions. Please reference ordering restrictions chart.

# CSV T Vapor Tight LED Strip Light

‡ Option Value Ordering Restrictions	
Option value	Restriction
35K, 40K, 50K	Not available with ALO options.
2000LM, 3000LM, 4000LM, 5000LM, 6000LM, 8000LM, 10000LM, 12000LM	Not available with SWW3.
CMCMBH16YW, MCRMBH16WL	Not available with E7W, E10W or ETS.
CNP16WWL, CNP165CDWL	Not available with E7W, E10W or ETS.
CSV T STSL LATCH	Requires two for L96
E7W, E10W	Not available with L24, 347V or ETS.
Individual Controls	Not available with WLFEND2 option.
L24	Not available with E7W, E10W, Controls options, or WLFEND2.
nLight Wireless Controls	Not available with WLFEND2 option.
UVOLT, 120U, 208U, 240U, 277U, 347U	Available with ALO30, ALO3, and ALO4 only.
WLFEND2	Not available with cord set or sensor options.

Accessories: Order as separate catalog number.	
CSV T STSL LATCH	Stainless steel latch kit (Set of 10) ‡
CSVTRMBA	Angle mount bracket (QTY of 2) (316 stainless steel)
CSVTRMBU	Rigid mount U-bolt bracket (QTY of 2) (316 stainless steel)
CSVTRMBK	Rigid mount bracket (QTY of 2) (316 stainless steel)
CSVTSMB	Replacement standard mounting brackets (QTY of 2) (301 stainless steel)
CSVQTMB	Quick-mount ceiling bracket
MHCH36SS	36" stainless steel chain (QTY of 2)

# CSV T Vapor Tight LED Strip Light

## How to Estimate Delivered Lumens in Emergency Mode

Use the formula below to estimate the delivered lumens in emergency mode

$$\text{Delivered Lumens} = 1.25 \times P \times \text{LPW}$$

P = Output power of emergency driver. P = 10W for IE10WCPHE

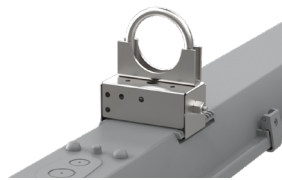
LPW = Lumen per watt rating of the luminaire. This information is available on the ABL luminaire spec sheet. The LPW rating is also available at [Designlight Consortium](#).



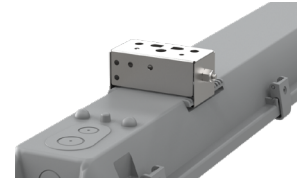
Shown with CSVTRMBA  
Bracket can be set to 22.5°,  
45° or 90° angles.



Shown with CSVTSMB  
(ships standard with fixture)



Shown with CSVTRMBU



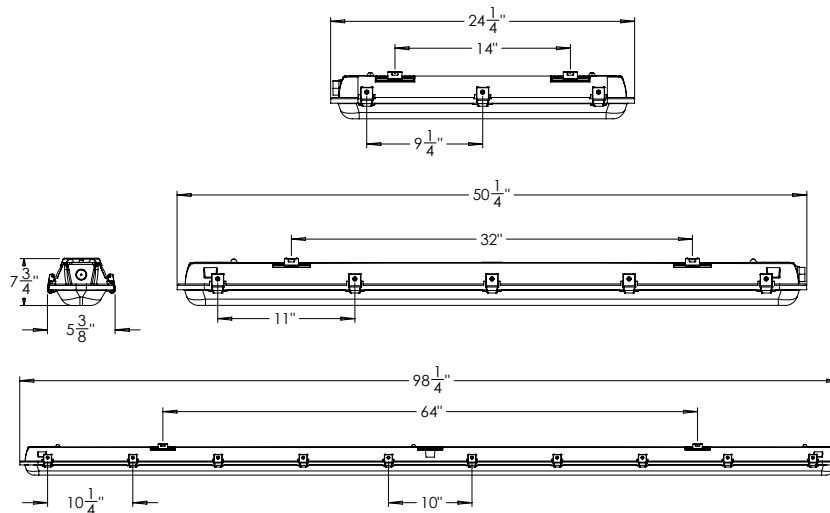
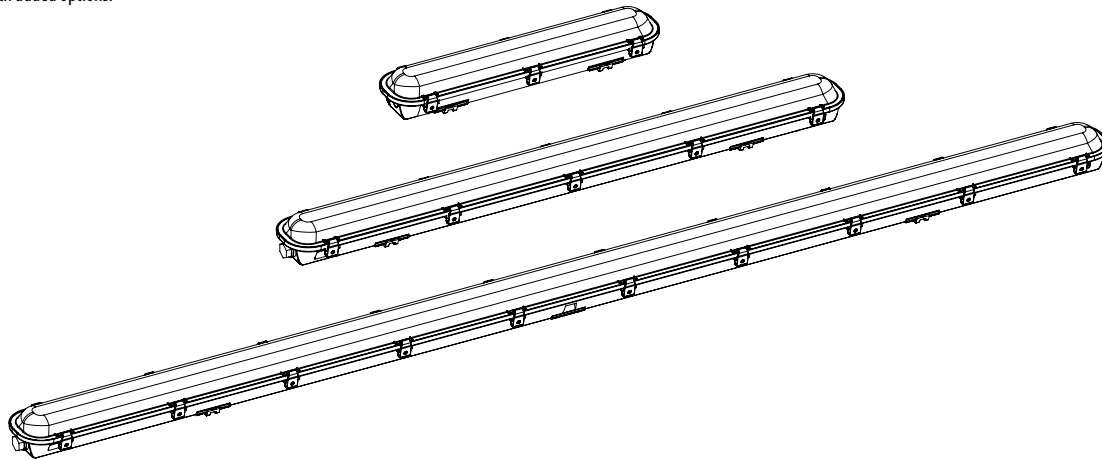
Shown with CSVTRMBK

## DIMENSIONS

All dimensions are shown in inches unless otherwise noted.

Length	Width	Height	Length	Approximate weight	Fixtures per pallet
L24	5.4	3.8	25	2lbs	70
L48	5.4	3.8	50.3	5 lbs	70
L96	5.4	3.8	98.3	10 lbs	70

\*Weights will vary slightly with added options.



## OPERATIONAL DATA

### LPPFL

Length	Package	Voltage	Input Watts	80CRI								
				3000 K		3500 K		4000 K		5000 K		
				Lumens	LPW	Lumens	LPW	Lumens	LPW	Lumens	LPW	
L24	2000LM	MVOLT	17	2281	135	2353	139	2476	146	2476	146	
		UVOLT	17	2281	135	2353	139	2476	146	2476	146	
		HVOLT	19	2281	119	2353	123	2476	130	2476	130	
	3000LM	MVOLT	24	3177	130	3277	135	3448	142	3448	142	
		UVOLT	24	3177	130	3277	135	3448	142	3448	142	
		HVOLT	27	3177	116	3277	119	3448	126	3448	126	
	4000LM	MVOLT	33	4286	129	4421	133	4652	140	4652	140	
		UVOLT	33	4286	129	4421	133	4652	140	4652	140	
		HVOLT	37	4286	115	4421	118	4652	124	4652	124	
	ALO30 (2000LM)	MVOLT	17				2406	139	2492	148	2406	139
		UVOLT	17				2406	139	2492	148	2406	139
		HVOLT	17				2406	139	2492	148	2406	139
	ALO30 (3000LM)	MVOLT	27				3539	131	3744	144	3539	131
		UVOLT	27				3539	131	3744	144	3539	131
		HVOLT	27				3539	131	3744	144	3539	131
	ALO30 (4000LM)	MVOLT	32				3902	123	4321	142	3959	125
		UVOLT	32				3902	123	4321	142	3959	125
		HVOLT	32				3902	123	4321	142	3959	125
L48	3000LM	MVOLT	25	3215	130	3299	133	3397	137	3397	137	
		UVOLT	25	3215	130	3299	133	3397	137	3397	137	
		HVOLT	28	3215	115	3299	118	3397	122	3397	122	
	4000LM	MVOLT	34	4200	125	4311	129	4438	132	4438	132	
		UVOLT	34	4200	125	4311	129	4438	132	4438	132	
		HVOLT	38	4200	111	4311	114	4438	118	4438	118	
	5000LM	MVOLT	38	4744	125	4869	128	5012	132	5012	132	
		UVOLT	38	4744	125	4869	128	5012	132	5012	132	
		HVOLT	40	4744	117	4869	120	5012	124	5012	124	
	6000LM	MVOLT	53	6292	119	6457	122	6648	126	6648	126	
		UVOLT	53	6292	119	6457	122	6648	126	6648	126	
		HVOLT	55	6292	111	6457	114	6648	118	6648	118	
	ALO3 (3000LM)	MVOLT	24				3148	137	3299	142	3124	129
		UVOLT	24				3148	137	3299	142	3124	129
		HVOLT	24				3148	137	3299	142	3124	129
	ALO3 (4000LM)	MVOLT	33				4011	127	4276	137	3977	119
		UVOLT	33				4011	127	4276	137	3977	119
		HVOLT	33				4011	127	4276	137	3977	119
ALO3 (5000LM)	MVOLT	44				4839	114	5070	124	4790	108	
	UVOLT	44				4839	114	5070	124	4790	108	
	HVOLT	44				4839	114	5070	124	4790	108	
L96	6000LM	MVOLT	50	6430	130	6599	133	6793	137	6793	137	
		UVOLT	50	6430	130	6599	133	6793	137	6793	137	
		HVOLT	50	6430	114	6599	117	6793	121	6793	121	
	8000LM	MVOLT	67	8400	125	8621	129	8876	132	8876	132	
		UVOLT	67	8400	125	8621	129	8876	132	8876	132	
		HVOLT	67	8400	110	8621	113	8876	117	8876	117	
	10000LM	MVOLT	76	9488	125	9737	128	10025	132	10025	132	
		UVOLT	76	9488	125	9737	128	10025	132	10025	132	
		HVOLT	76	9488	117	9737	120	10025	124	10025	124	
	12000LM	MVOLT	106	12584	119	12914	122	13296	126	13296	126	
		UVOLT	106	12584	119	12914	122	13296	126	13296	126	
		HVOLT	106	12584	115	12914	118	13296	122	13296	122	
	ALO4 (6000LM)	MVOLT	48				6295	137	6598	142	6249	129
		UVOLT	48				6295	137	6598	142	6249	129
		HVOLT	48				6295	137	6598	142	6249	129
	ALO4 (8000LM)	MVOLT	67				8022	127	8552	137	7954	119
		UVOLT	67				8022	127	8552	137	7954	119
		HVOLT	67				8022	127	8552	137	7954	119
ALO4 (10000LM)	MVOLT	89				9678	114	10140	124	9579	108	
	UVOLT	89				9678	114	10140	124	9579	108	
	HVOLT	89				9678	114	10140	124	9579	108	

# CSV T Vapor Tight LED Strip Light

PROJECTED LUMEN MAINTENANCE			
Lumen Maintenance Factor	0.91	0.81	0.75
Operating Hours	40,000	90,000	120,000

\*Actual performance may vary based on ambient temperature of installed location.

## Ambient Temperature Ratings

Fixture Length	Lumen Package	Temperature rating	Temperature rating with IE7WC
L24	2000LM	-40° C - 45° C	0° C to 30° C
	3000LM	-40° C - 45° C	0° C to 30° C
	4000LM	-40° C - 45° C	0° C to 30° C
	ALO30	-40° C - 45° C	0° C to 30° C
L48	3000LM	-40° C - 45° C	0° C to 30° C
	4000LM	-40° C - 45° C	0° C to 30° C
	5000LM	-40° C - 45° C	0° C to 30° C
	6000LM	-40° C - 45° C	0° C to 30° C
	ALO3	-40° C - 45° C	0° C to 30° C
L96	6000LM	-40° C - 30° C	0° C to 30° C
	8000LM	-40° C - 30° C	0° C to 30° C
	1000LM0	-40° C - 30° C	0° C to 30° C
	12000LM	-40° C - 30° C	0° C to 30° C

## Number of Boards and Drivers

Fixture length	Lumen package	Driver QTY	Board QTY
L24	2000LM	1	1
	3000LM	1	1
	4000LM	1	1
	ALO30	1	1
L48	3000LM	1	1
	4000LM	1	1
	5000LM	1	1
	6000LM	1	1
	ALO3	1	1
L96	6000LM	1	2
	8000LM	1	2
	1000LM0	2	2
	12000LM	2	2
	ALO4	1	2