

# Vintage Reclining Folding Chair

Assembly Instructions

A041-200-001



email: [poly@homeselecting.com](mailto:poly@homeselecting.com)

Important -Please read these instructions fully before starting assembly

## HASSLE-FREE WARRANTY

We stand behind the quality of our products. If you have any questions, please send an email.



360 LBS CAPACITY



1 PERSON ASSEMBLY



AROUND 25 MIN ASSEMBLY

If you need help or have damaged or missing parts, please email: [poly@homeselecting.com](mailto:poly@homeselecting.com)

Components

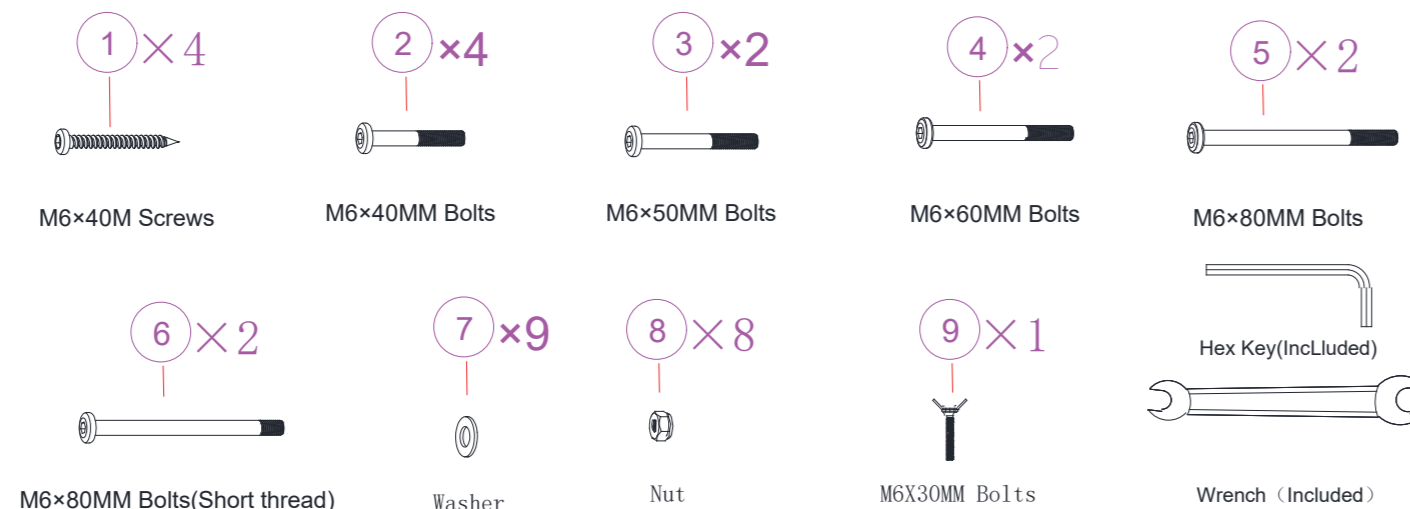
Please check you have all the components listed below.

Note: The illustration of the product shows the exact position of each part. Check when assembling.

#	Description	Qty
A	Seat Frame	1
B	Right Leg	1
C	Left Leg	1
D	Right Arm	1
E	Left Arm	1
F	Back Stretcher	1
G	Back Stretcher Front	1
H	Stretcher	1
J	Braces	2
K	Cup Holder	1

## Hardware & Tools

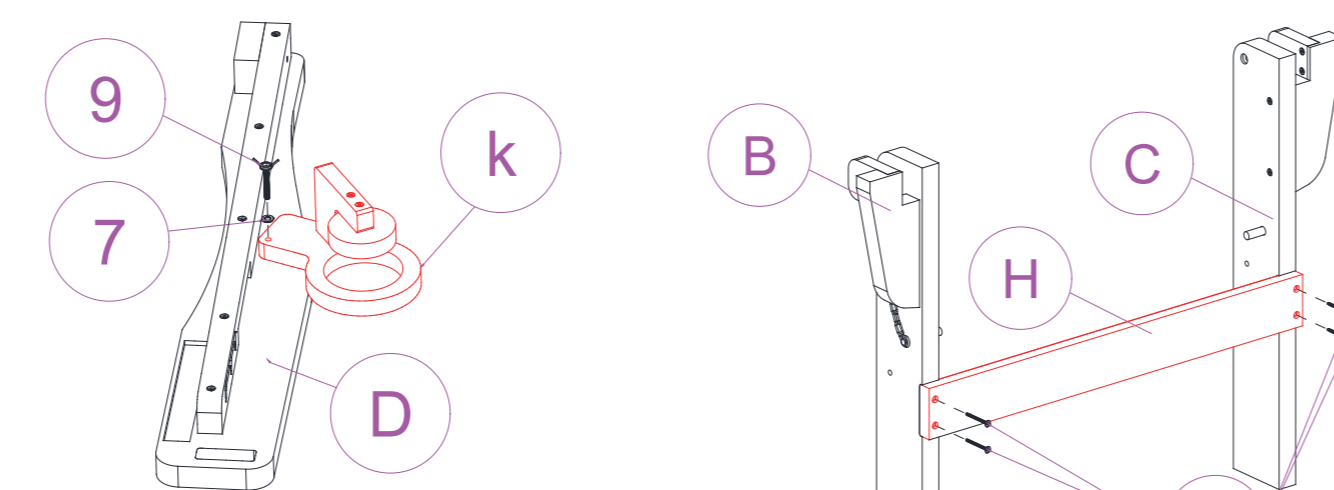
Note: The quantities below are the correct amount to complete the assembly. In some cases more fittings may be supplied than required.



If you need help or have damaged or missing parts, please email: [poly@homeselecting.com](mailto:poly@homeselecting.com)

Assembly Instructions

Caution: Please do not over-tighten bolts and screws during assembly.

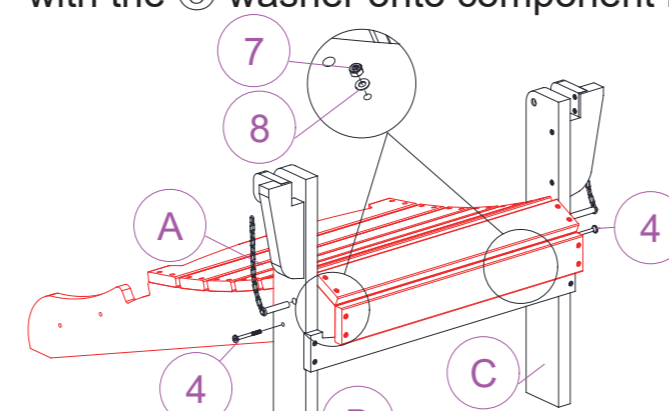


⑨ × 1

⑧ × 1

STEP 1

Install component K using the ⑨ M6\*30MM butterfly screw in conjunction with the ⑧ washer onto component D.



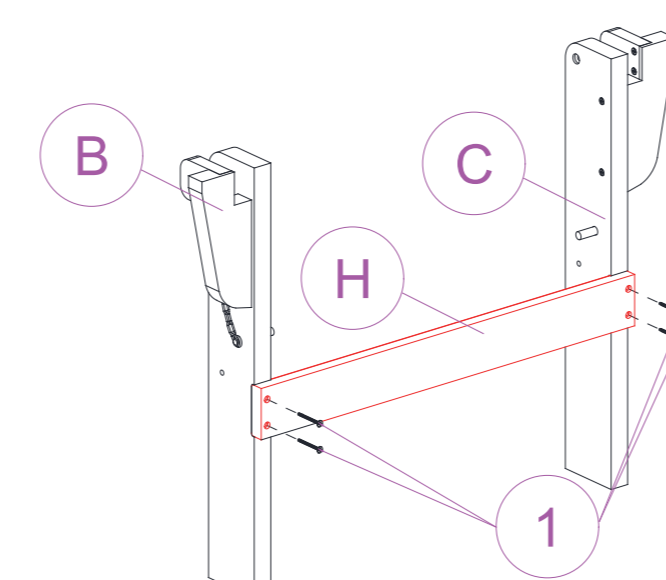
④ × 2

⑦ × 2

⑧ × 2

STEP 3

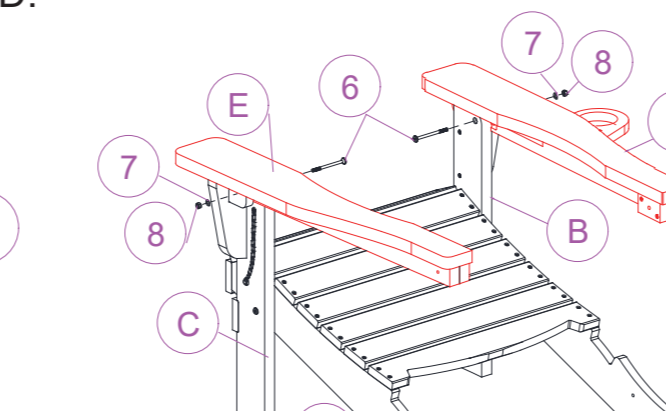
Install component A using the ④ M6\*60MM screw along with the ⑦ washer and ⑧ nut onto components B and C.



① × 4

STEP 2

Use ① M6\*40MM screws to connect component J with B and C.



⑥ × 2

⑦ × 2

⑧ × 2

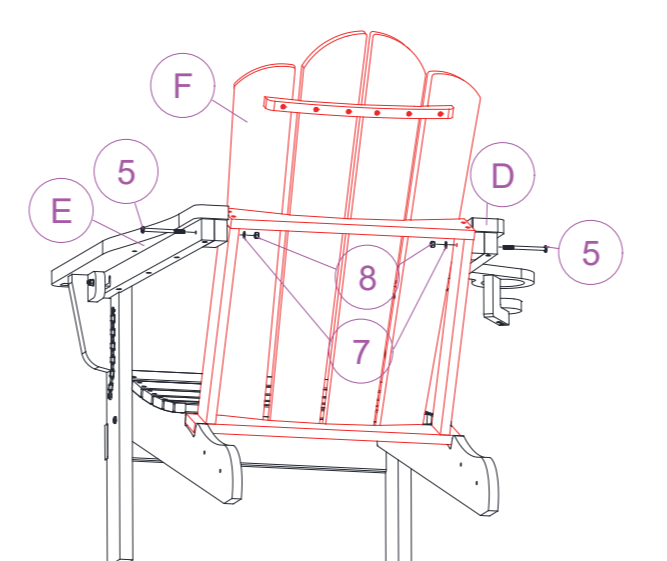
STEP 4

Install part E onto part C, install part D onto part B, using the ⑥ M6\*80MM screw along with the ⑦ washer and ⑧ nut.

If you need help or have damaged or missing parts, please email: [poly@homeselecting.com](mailto:poly@homeselecting.com)

Assembly Instructions

Caution: Please do not over-tighten bolts and screws during assembly.



⑤ × 2

⑦ × 2

⑧ × 2

STEP 5

Assemble component F with component D and E using the ⑤ M6\*80MM screw together with the ⑦ washer and ⑧ nut.



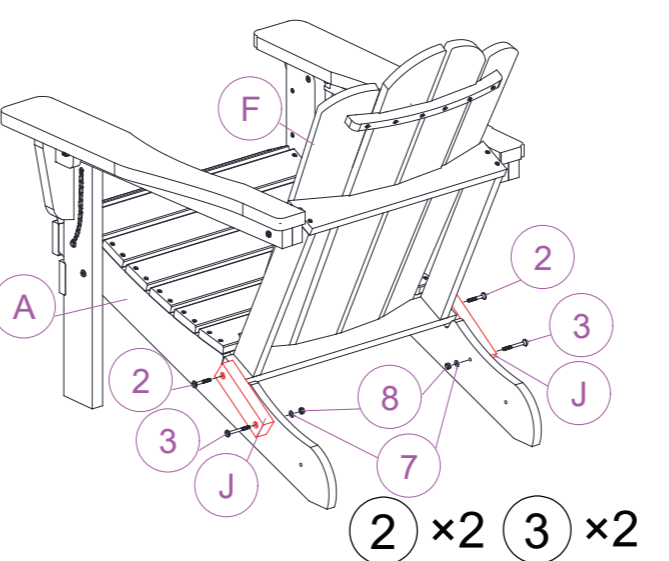
② × 2

STEP 6

Assemble the front end of component J with component F, using screw ② M6\*40MM along with washer ⑦ and nut ⑧ for fixation. Assemble the rear end of component J with component A, using screw ③ M6\*50MM.

STEP 7

Use the ② M6\*40MM screw to secure part G to part A.



② × 2

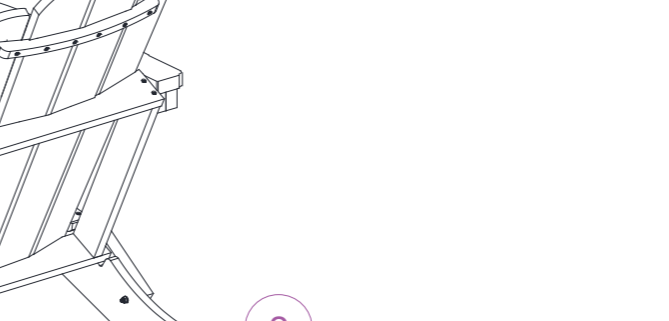
③ × 2

⑦ × 2

⑧ × 2

STEP 7

Use the ② M6\*40MM screw to secure part G to part A.



② × 2

STEP 7

Use the ② M6\*40MM screw to secure part G to part A.

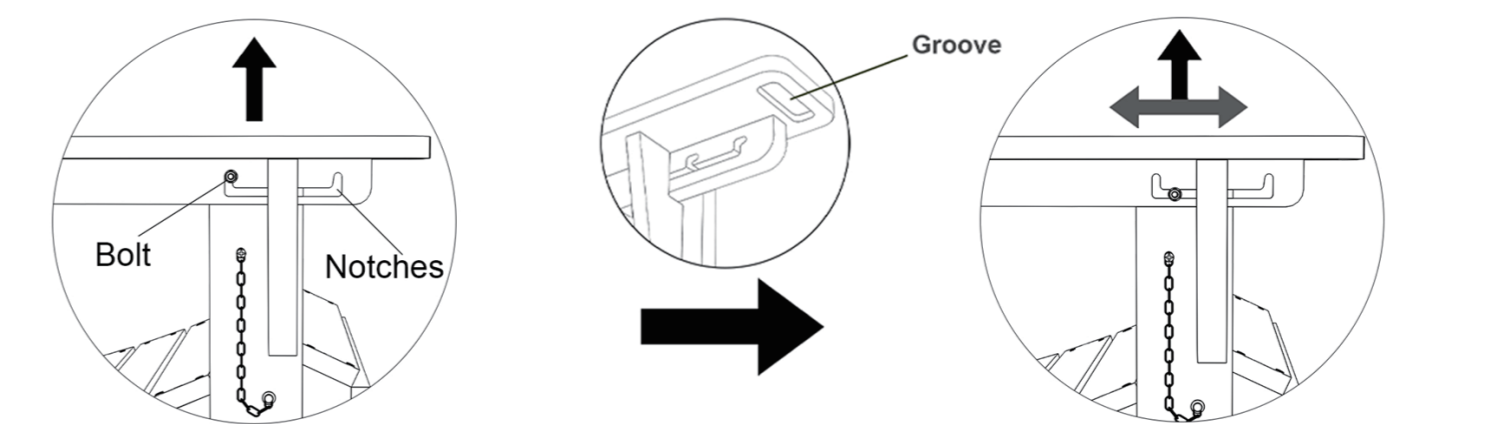
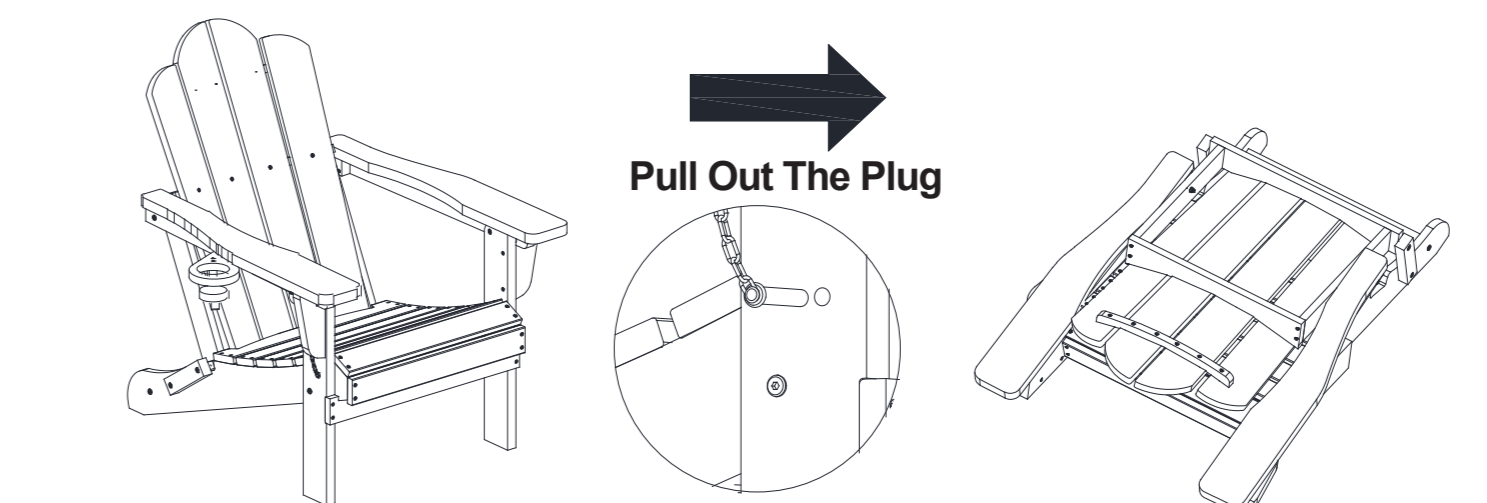
If you need help or have damaged or missing parts, please email: [poly@homeselecting.com](mailto:poly@homeselecting.com)

Assembly Instructions

Caution: Please do not over-tighten bolts and screws during assembly.

This Adirondack chair can be easily folded flat by pulling out the "Plugs" inserted in the chair legs.

**Warning:** To avoid damage, please keep the plugs inserted when the chair is in use. Pull out the plugs when you need to fold the chair.



You must lift the armrests and pull them backward or forward to adjust the backrest angle. There is a small groove at the bottom of the armrest where your fingers should go when you lift the armrests.

1. Lift both the armrests;
2. Pull forward or backward to adjust the backrest to a particular position;
3. Then put the armrests down to let bolts rest on the notches simultaneously. (Please do not lay on the backrest when you are adjusting)

If you need help or have damaged or missing parts, please email: [poly@homeselecting.com](mailto:poly@homeselecting.com)

Warnings

Important -Please read these instructions fully before starting assembly

Check you have all the components and tools listed on the page 2.

Remove all fittings from the plastic bags and separate them into their groups.

Keep children and animals away from the work area, small parts may cause choking if swallowed.

Make sure you have enough space to layout the parts before starting.

Assemble on a soft level surface to avoid damaging the unit or your floor.

Do not stand or put weight on the product, this could cause damage.

Assemble the item as close to its final position (in the same area) as possible.

Do not place furniture directly in front of radiators, fires, or any other source of heat.



The assembly will be easier with 2 people while 1 person could also do the job.



Refer to the LISTING page for specific installation videos.

## Cleaning & Maintenance

• Clean the product with a solution of mild soap and water. Dip a soft cloth or sponge into the solution and wipe down the entire surface.

• After cleaning, thoroughly rinse the furniture with water to remove any remaining soap residue.

• When not in use, cover the product with a protective cover to keep it clean and prolong its lifespan.