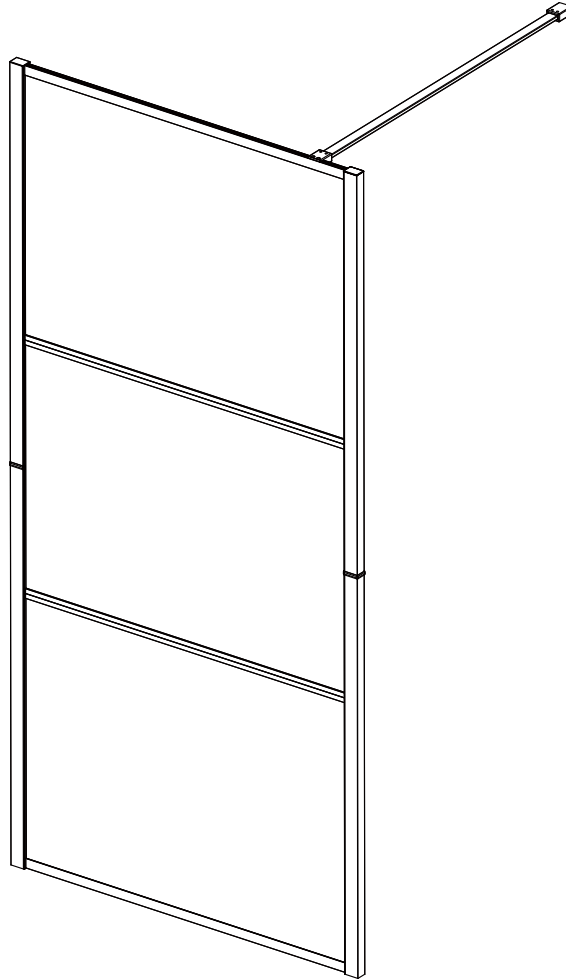


# INSTALLATION INSTRUCTIONS

Series:Vista



SCAN THE QR CODE TO  
WATCH THE INSTALLATION VIDEO



**THANK YOU FOR PURCHASING OUR PRODUCTS.  
FOR IMMEDIATE ASSISTANCE WITH ASSEMBLY  
OR PRODUCT INFORMATION ,PLEASE EMAIL US AT:**



**goodaftersale@hotmail.com**

Please include your order number and the model number in your email.

Our customer service team is available to assist you Monday to Friday  
8:00 AM to 5:00 PM (PST).

# PREPARATION & IMPORTANT NOTICES

## ▲ Inspect Before Installation

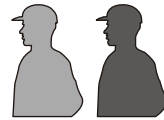
Inspect all cartons for shipping damage and verify all parts against the Parts List before installation. Read this manual completely before beginning. Report any damage, finish defects, or missing parts to customer support within 3 business days of delivery. Claims after installation may not be accepted.

## ◆ Code Compliance

Installation must comply with all applicable local building and plumbing codes. Code requirements vary by location. The manufacturer is not responsible for code compliance or inspection approval.

## ◆ Plumbing Requirements

Complete all required plumbing and drainage work prior to installing the shower enclosure. Plumbing work must be performed by a qualified professional where required by local code.



**Note:** This product is heavy—two-person installation is recommended.

## ◆ Wall and Threshold Conditions

Ensure all mounting surfaces are solid, level, and capable of supporting the unit. Walls must be plumb and square. This single-door installation provides up to approximately 3/8 in. (10 mm) of adjustment per side for the finished opening. Minor field adjustments may be required.

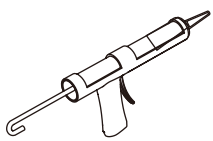
## ◆ Glass Handling & Surface Protection

Protect all product surfaces during installation. Do not place glass directly on hard surfaces. Use protective materials to shield glass edges and corners at all times.

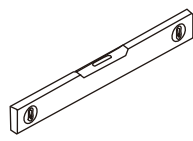
## ◆ Finished Surfaces & Installation Recommendation

This unit must be installed on a finished, level threshold and against finished, plumb walls. Due to the weight of the glass panels, professional installation is recommended.

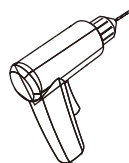
### Tools Required



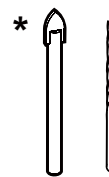
Silicone Sealant



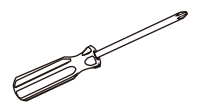
Level



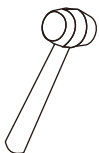
Drill



1/4" & 1/8" Drill Bits



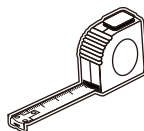
Screwdriver  
(Phillips)



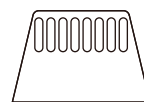
Rubber Hammer



Pencil



Tape Measure



Sealant  
Finishing Tool



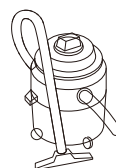
Painter's  
Tape



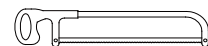
Safety Glasses



Work Gloves



Vacuum Cleaner

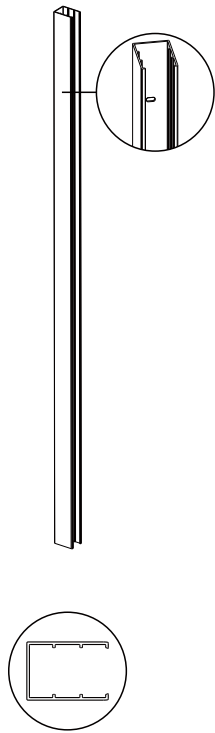


Hacksaw

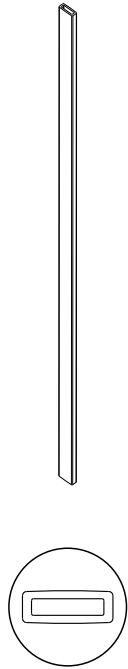
\* Use a 1/4" drill bit for ceramic when drilling into ceramic tiles

# INSTALLATION INSTRUCTIONS

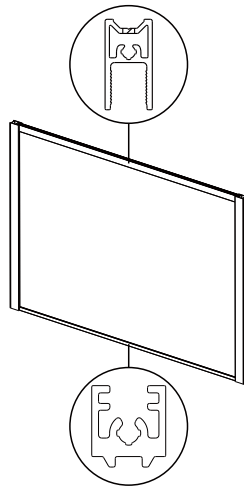
## Parts List



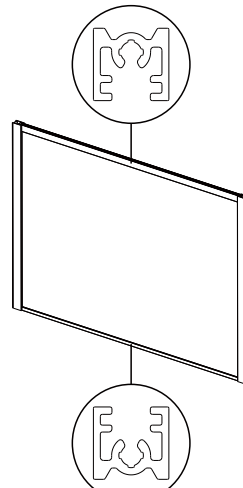
[01] x2



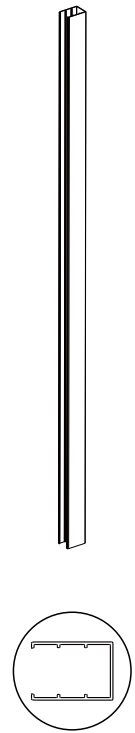
[02] x1



[03A] x2



[03B] x1



[16] x2



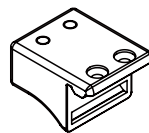
[04] x5



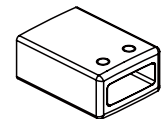
[05] x8



[06] x8



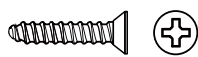
[07] x1



[08] x1



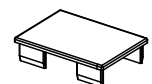
[09] x8 (ST4x10)



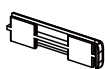
[10] x2 (ST4x12)



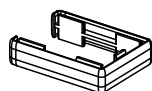
[11] x5 (ST4x35)



[12] x2



[13] x2

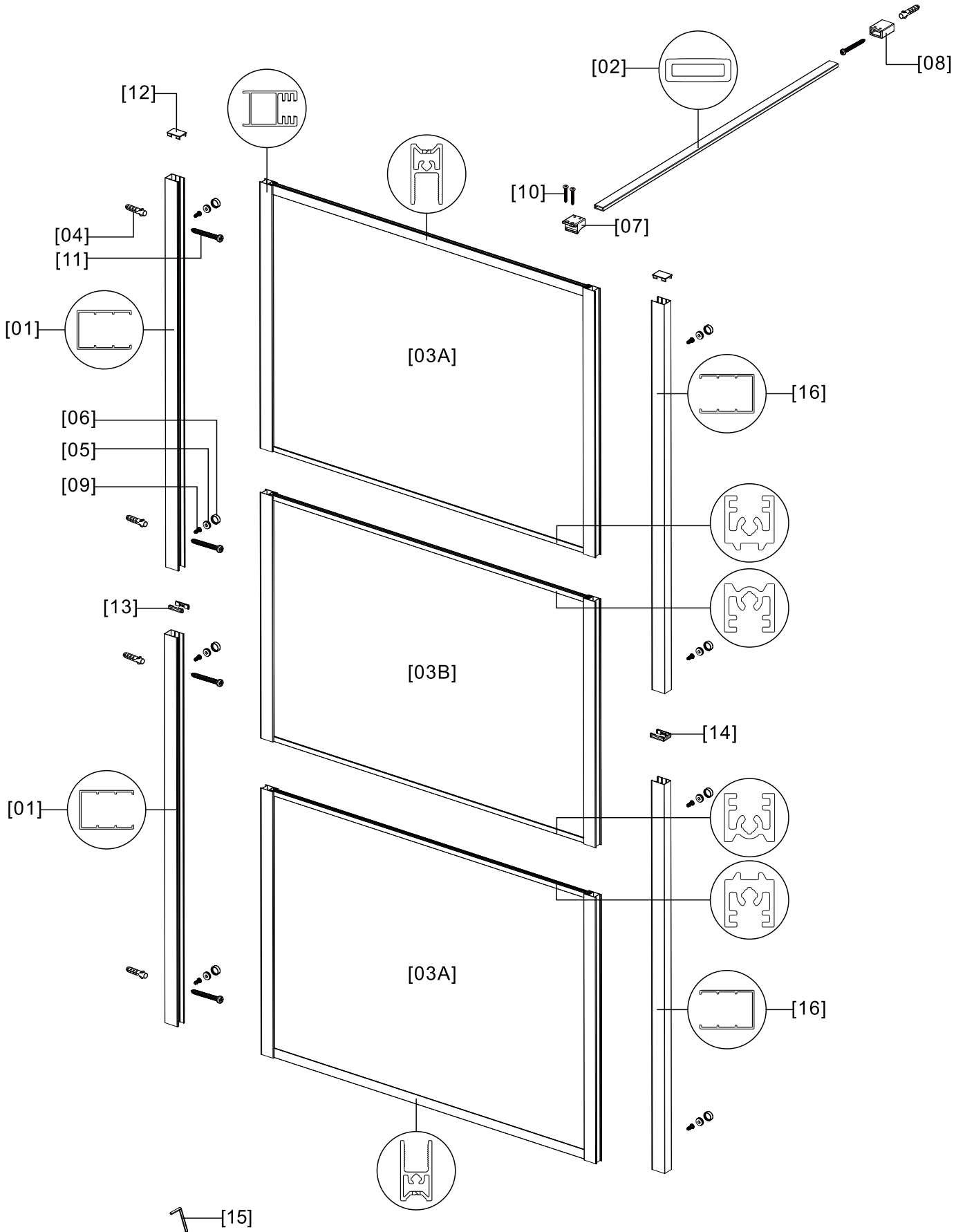


[14] x1



[15] x1 (2.5mm)

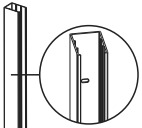
# INSTALLATION INSTRUCTIONS



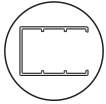
# INSTALLATION INSTRUCTIONS

# 01

## Hardware Used



[01] x2



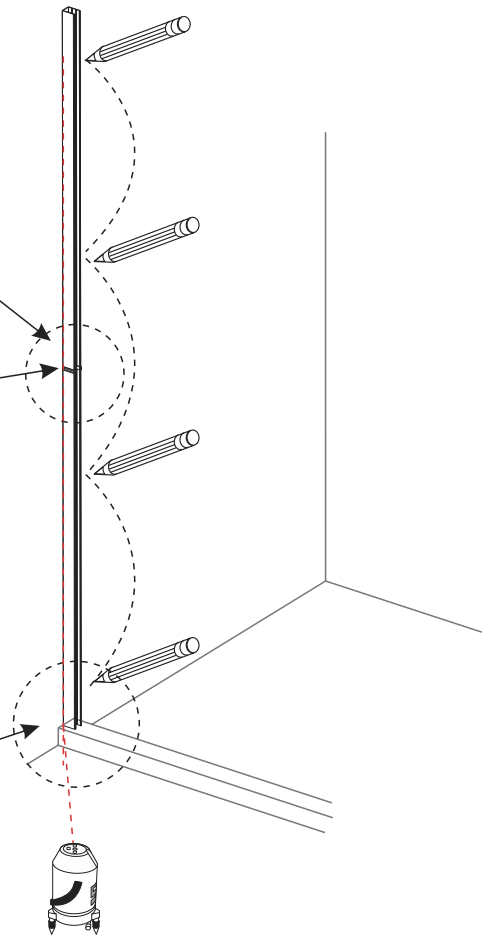
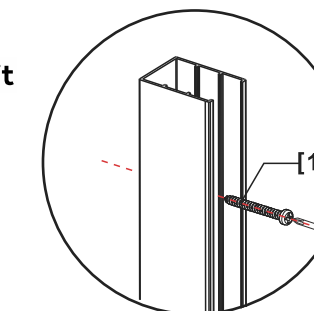
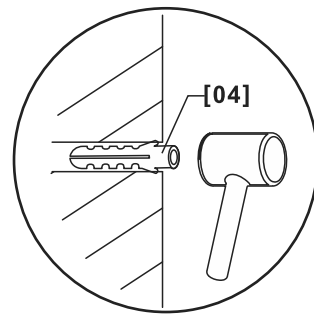
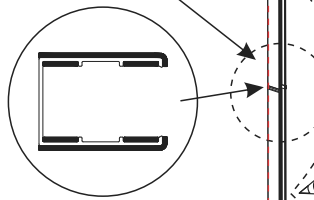
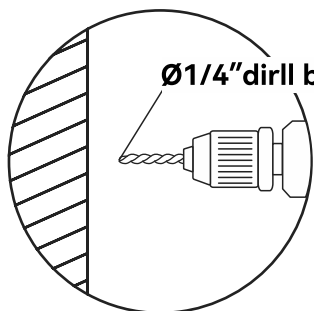
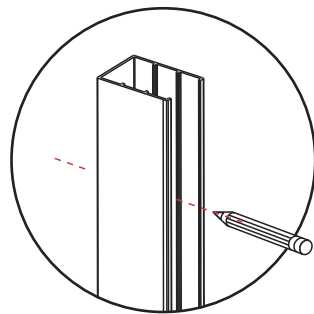
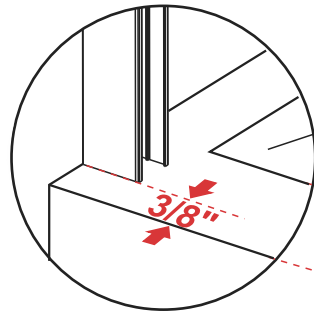
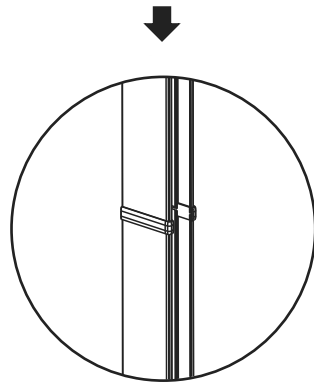
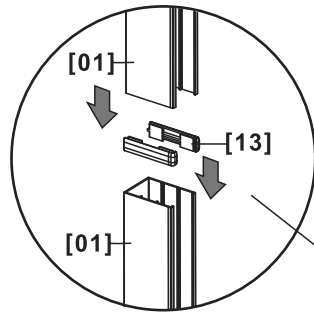
[04] x4



[11] x4 (ST4x35)



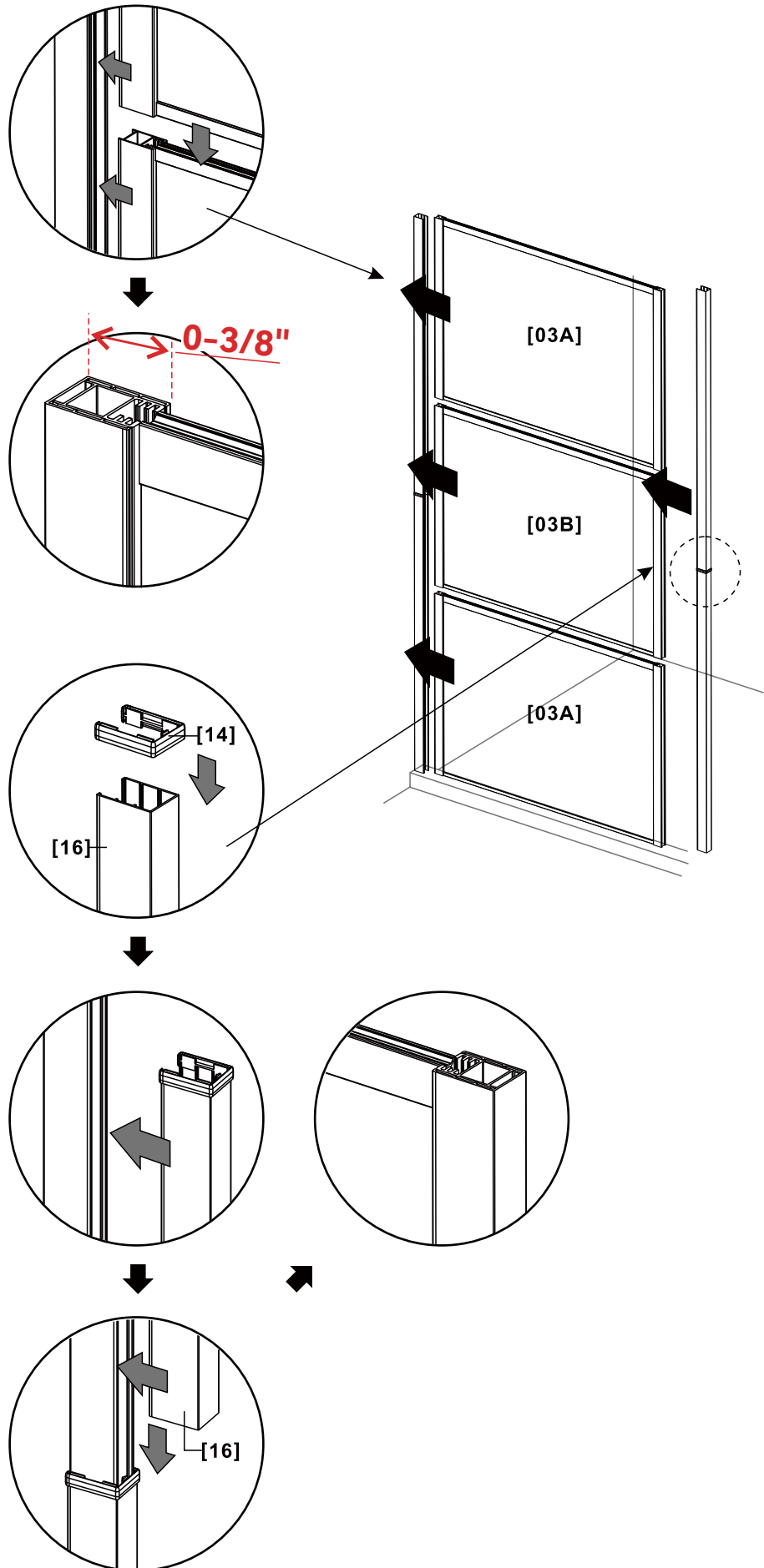
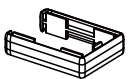
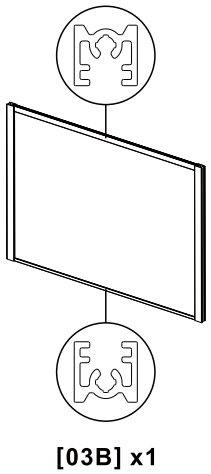
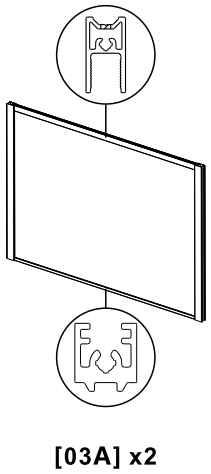
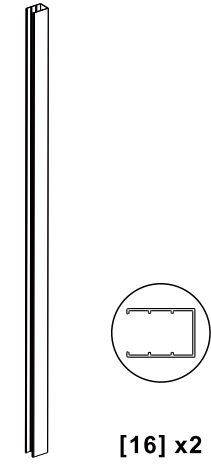
[13] x2



# INSTALLATION INSTRUCTIONS

## 02

### Hardware Used



# INSTALLATION INSTRUCTIONS

## 03

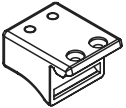
### Hardware Used



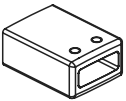
[02] x1



[04] x1



[07] x1



[08] x1



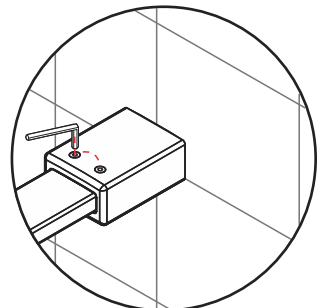
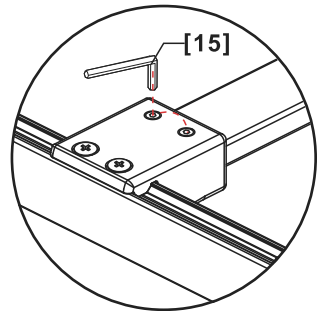
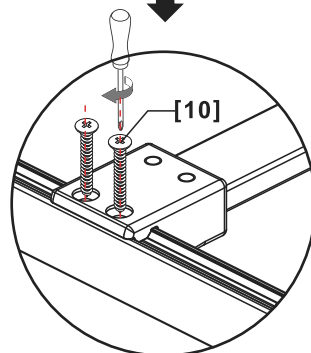
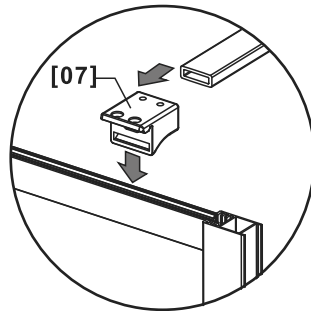
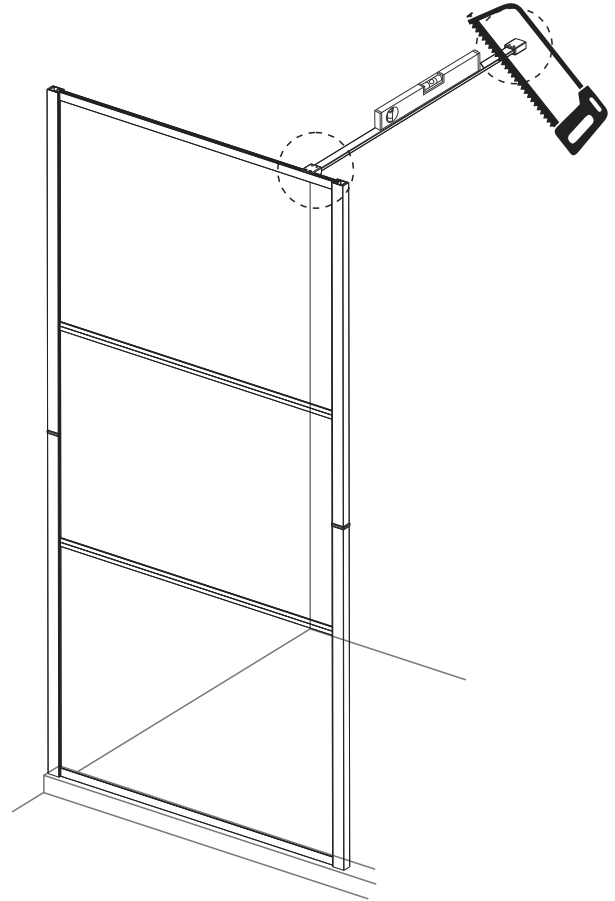
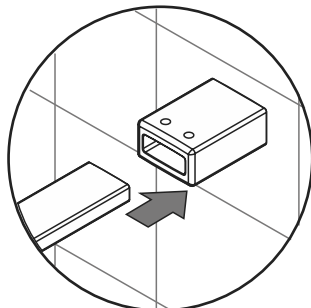
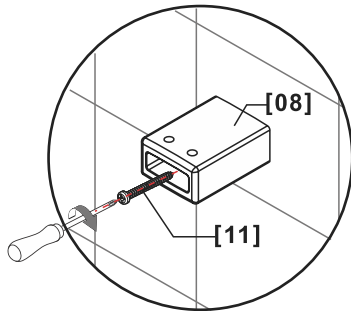
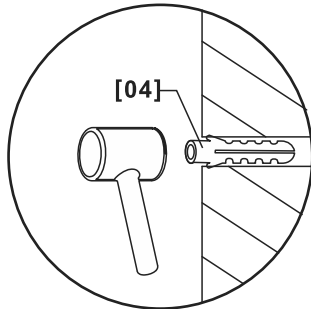
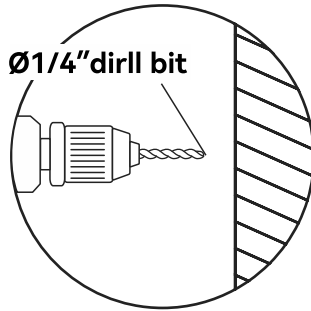
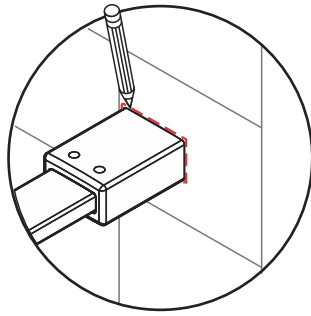
[10] x2 (ST4x12)



[11] x1 (ST4x35)



[15] x1 (2.5mm)



# INSTALLATION INSTRUCTIONS

## 04

### Hardware Used



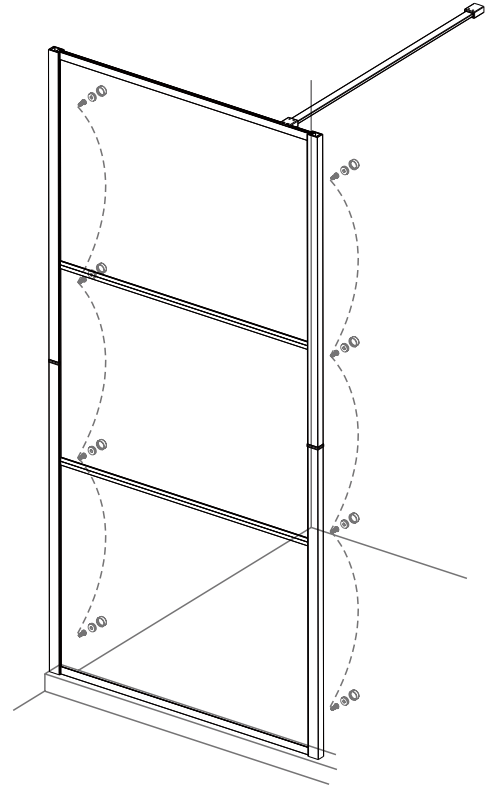
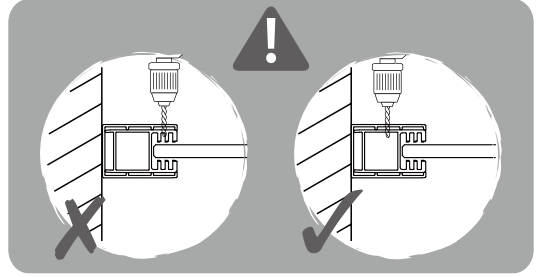
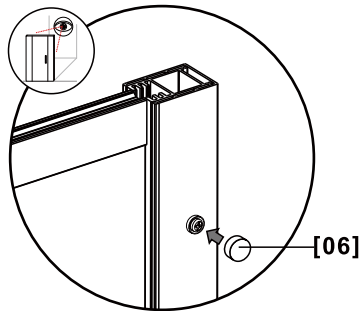
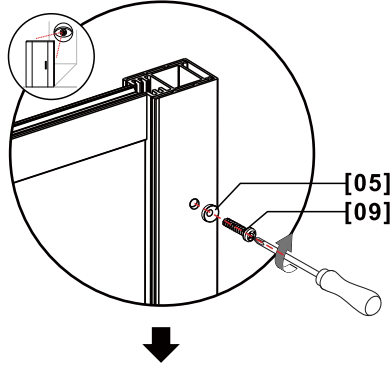
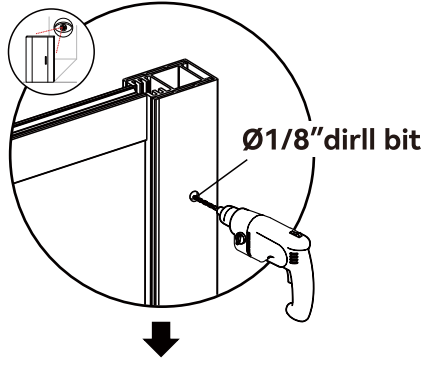
[05] x8



[06] x8

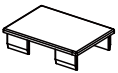


[09] x8 (ST4x10)

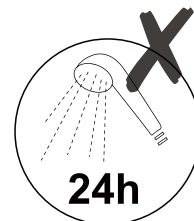
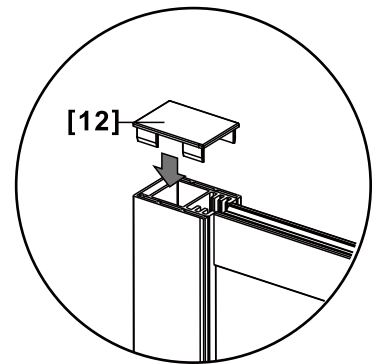
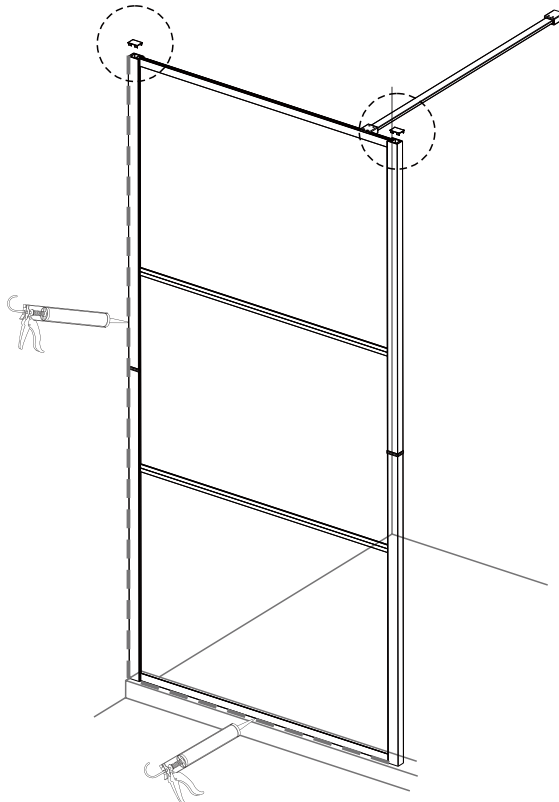


## 05

### Hardware Used



[12] x2



24h

