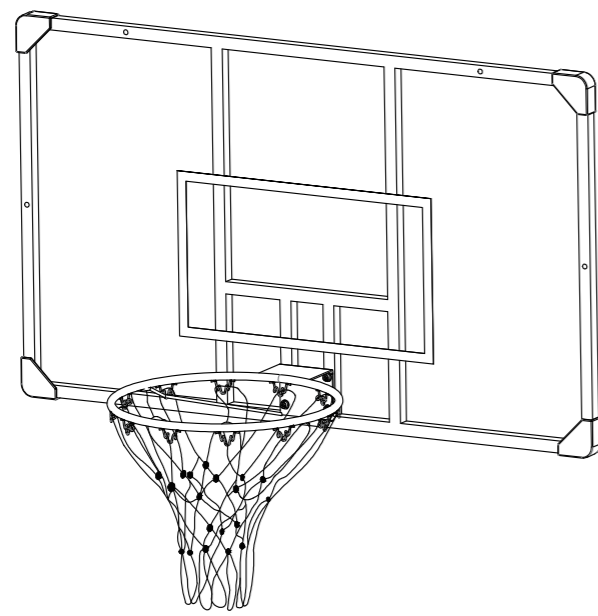


User Manual



44" Deluxe Basketball Backboard

Introduction

Thank you for purchasing the MaxKare 44" Deluxe Basketball Backboard. Please read this user manual carefully and keep it in a safe place for future reference. If you have any problems or need any assistance, please email to service@maxkare.net with your product model number and Amazon order number or contact us via Amazon. Then our service team absolutely will help you solve the problems.

General Safety Instructions

- Two capable adults are required for this assembly.
- Read and understand the manual before assembling and using the unit.
- Failure to follow the instructions could result in injury or damage to the property.
- Select a safe place to install the backboard.
- Use extreme caution when using ladder.
- Make sure the backboard is firmly installed.
- Do not hang from the backboard and rim.
- Remove all contents from box and make sure this matches the parts list.
- Do not return the product in store, please contact customer service.

Product Specifications

Model	CDB-001BBR
Name	44" Basketball Backboard
Backboard material	PC, Transparent backboard
Rebound size	112 * 72* 3 cm
Hoop diameter	45cm (inner) = 17.7"
Basket material	Iron, plastic

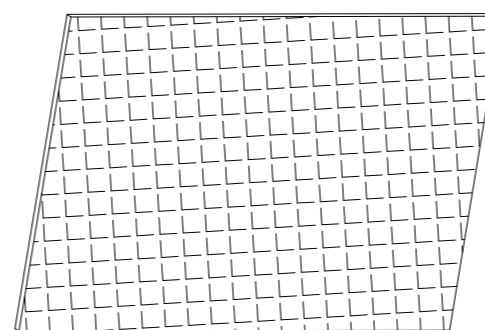
Part List

	DESCRIPTION	PART IMAGE	Qty
1	Wall plug		8
2	Bolts	 M6*80MM	8
3	Washer	 Φ 6.5* Φ 15*0.8MM	8
4	Backboard		1
5	Net		1
6	Rim		1

Assembly

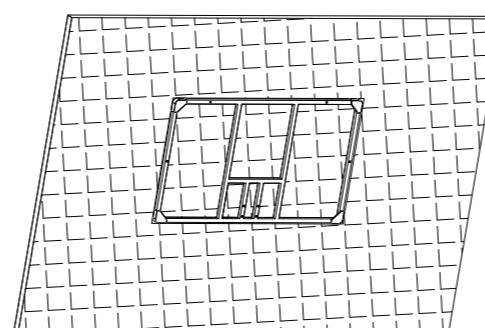
Step 1

Find a suitable wall/board for ball-shooting.



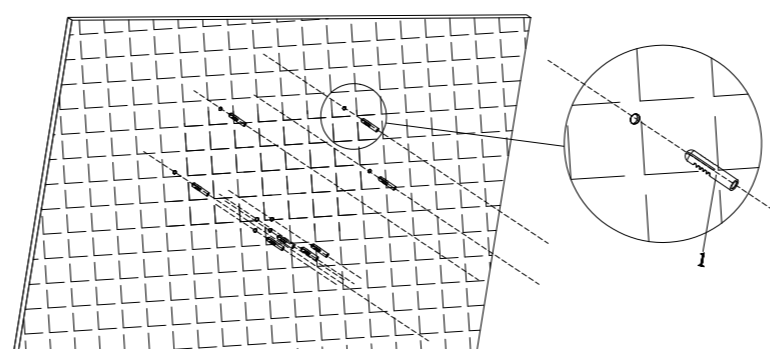
Step 2

Place the backboard(#4) on desired areas to navigate & prepare for drilling.



Step 3

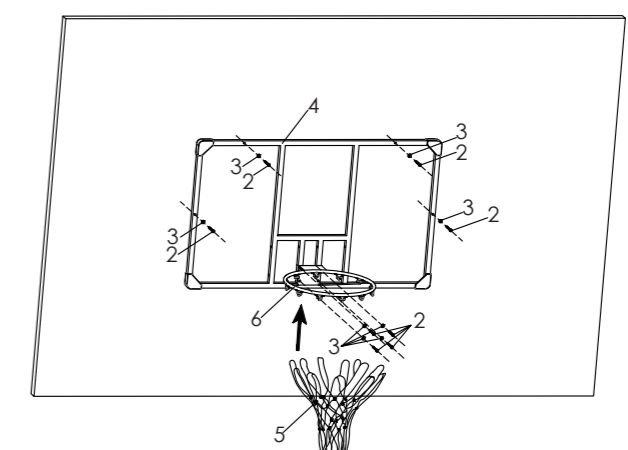
Drill the wall/board according to the location of the backboard, and stuff the Wall plug (#1 * 8) into the holes.



Step 4

Locking the basketball hoop.

- Align the backboard (#4) with the corresponding holes, and put in 4 sets of Bolts (#2) and washer (#3). Tighten the screws.
- Align the Rim (#6) with 4 holes located at the bottom of the backboard, and put in 4 sets of Bolts (#2) and washer (#3). Tighten the screws.
- Hang the basketball net (#5).
- Assembly Complete.



Maintenance

1. Regularly check if the backboard is firmly attached on the wall or mounting bracket. It is required to tighten if the screws are loose.
2. Check your basketball system frequently for loose hardware, excessive wear; and signs of corrosion.

For safety reasons, and to prolong the life of your basketball system, you must take the following preventative measures.

- (1) Check all nuts and bolts. If any are loose, tighten them.
- (2) Check all parts for excessive wear and tear. If necessary replace any parts that have been worn or damaged through usage. Contact our Customer Service Department for replacement parts.

Note: DO NOT HANG FROM RIM

Customer Support

If you need help regarding product issues, after-sales service, or other relevant problems, please contact us via email.

Please Email: service@maxkare.net

Please have the following information ready when requesting for service:

- Order ID
- Problem Description

*Note: Products purchased directly from MaxKare benefit from our after-sales service. If the purchases are made from other selling teams, we recommend you contact them for warranty issues.