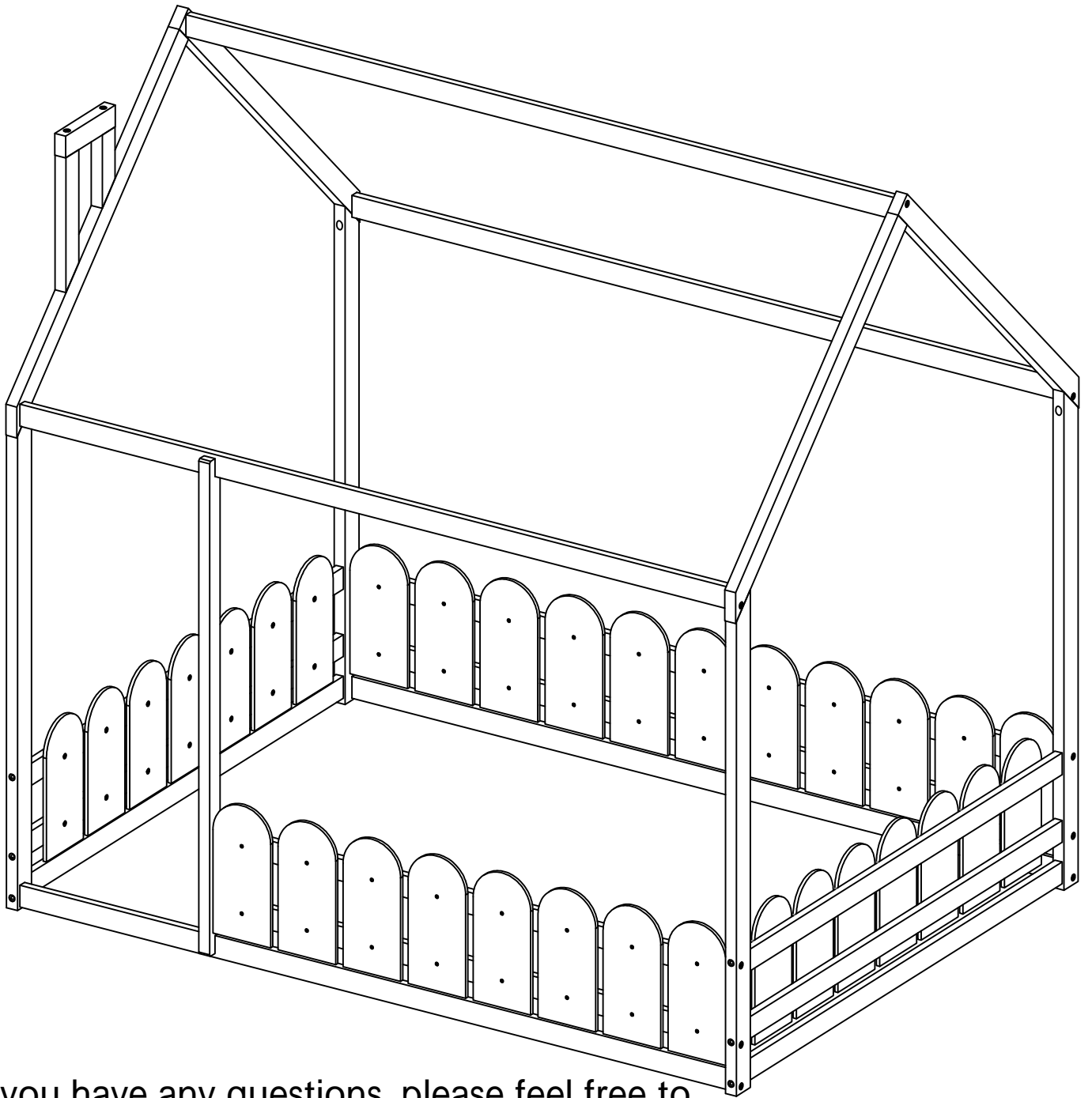


# ASSEMBLY INSTRUCTIONS

## FULL SIZE - MONTESORI HOUSE BED WITH FENCE

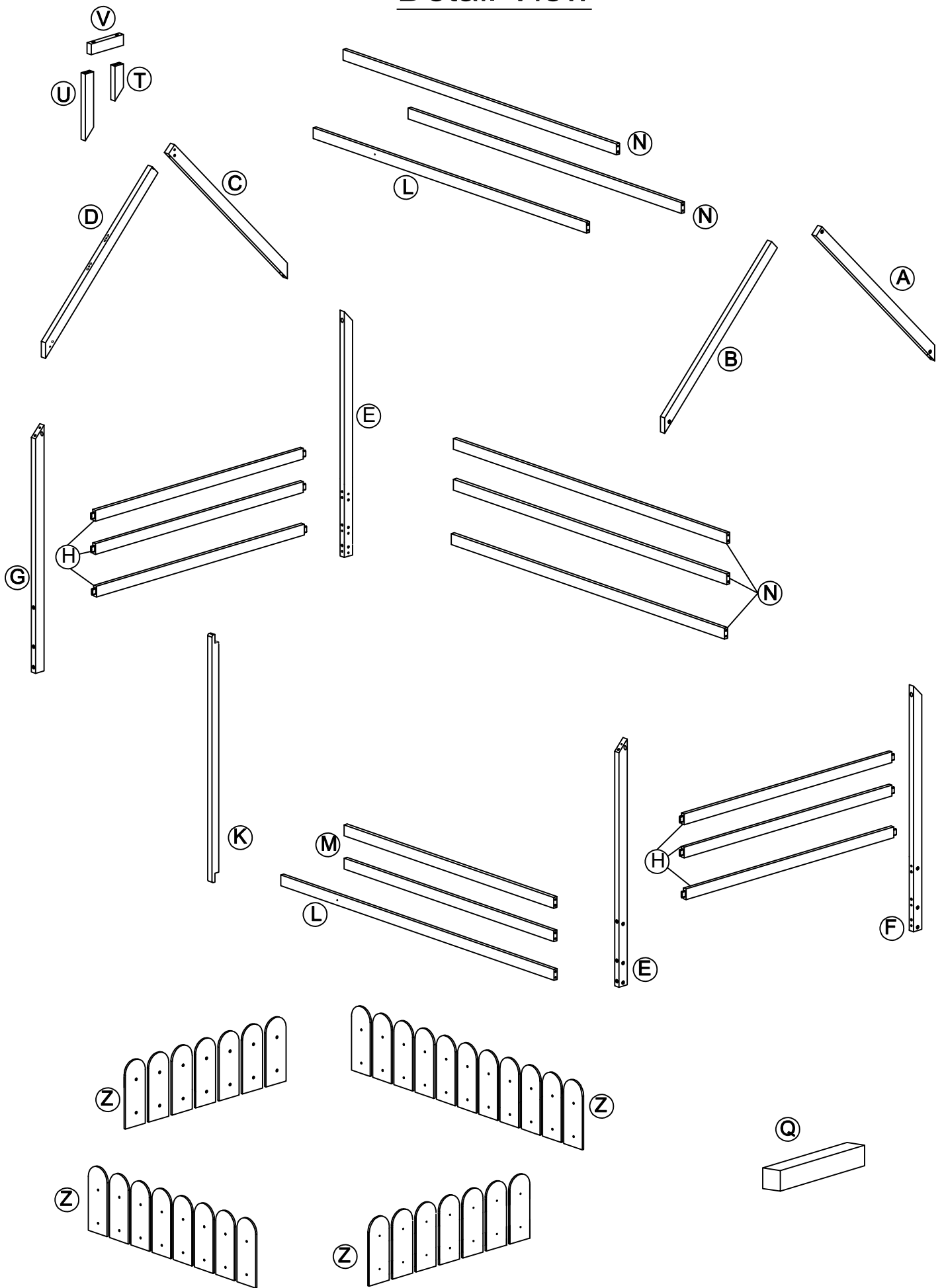


If you have any questions, please feel free to contact us.

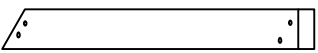
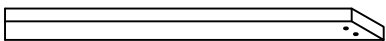
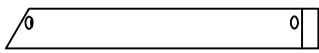
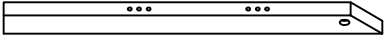
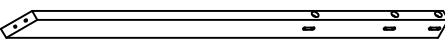
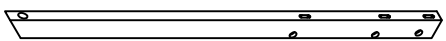
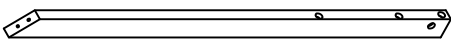
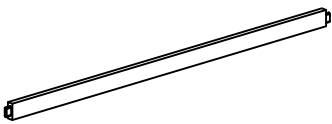
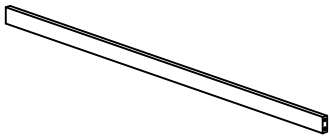
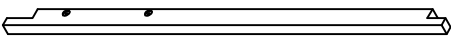
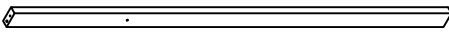
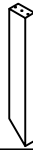
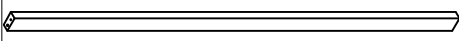
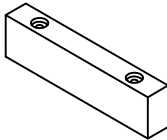
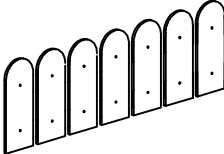
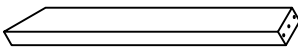

Email: [service@qualfurn.net](mailto:service@qualfurn.net)

**WF294808**

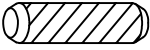


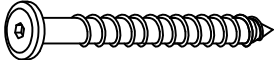


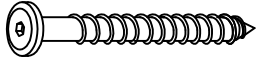
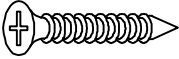

# Detail View



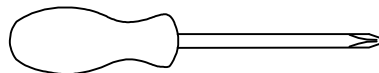
# Part List

<b>A</b> 	<b>B</b> 	<b>C</b> 
Cap for upper HB-1pc	Cap for lower HB-1pc	Cap for upper FB-1pc
<b>D</b> 	<b>E</b> 	<b>F</b> 
Cap for lower FB-1pc	Upper leg HB (L/R)-2pcs	Upper leg FB -1pc
<b>G</b> 	<b>H</b> 	<b>M</b> 
Upper leg FB -1pc	Horizontal bar HB&FB-6pcs	Front side panels - 2pcs
<b>K</b> 	<b>L</b> 	<b>T</b> 
Center upper leg -1pc	Front guard rails 2pc	Guard rail top 1pc
<b>N</b> 	<b>V</b> 	<b>Z</b> 
Back guard rails -5pcs	Guard rail top 1pc	Panel - 33pcs
<b>U</b> 	<b>Q</b> 	
Guard rail top 1pc	Distance bar (20mm) - 1pc	

# Hardware List

<b>1</b>  Ø10*30mm Wood dowel (30pcs)	<b>2</b>  Ø6" x 85 mm Wood Screws (16pcs)	<b>3</b>  Ø1/4" x 80 mm Wood Screws (18pcs)
<b>4</b>  Ø6" x 100 mm Wood Screws (2pcs)	<b>5</b>  Ø6" x 30 mm Wood Screws (2pcs)	<b>6</b>  (1/4")4.5*58mm Allen Key (1pc)
<b>7</b>  Ø6" x 50 mm Wood Screws (4pcs)	<b>8</b>  #4*25mm Screw (66pcs)	<b>9</b>  Ø9.5x13 Horizontal-Hole bolt (18pcs)

## ASSEMBLY TOOLS REQUIRED ( NOT INCLUDED )



PLEASE BE CAREFUL DO NOT DAMAGE THE HOLE POSITION WHEN YOU USE POWER TOOLS !

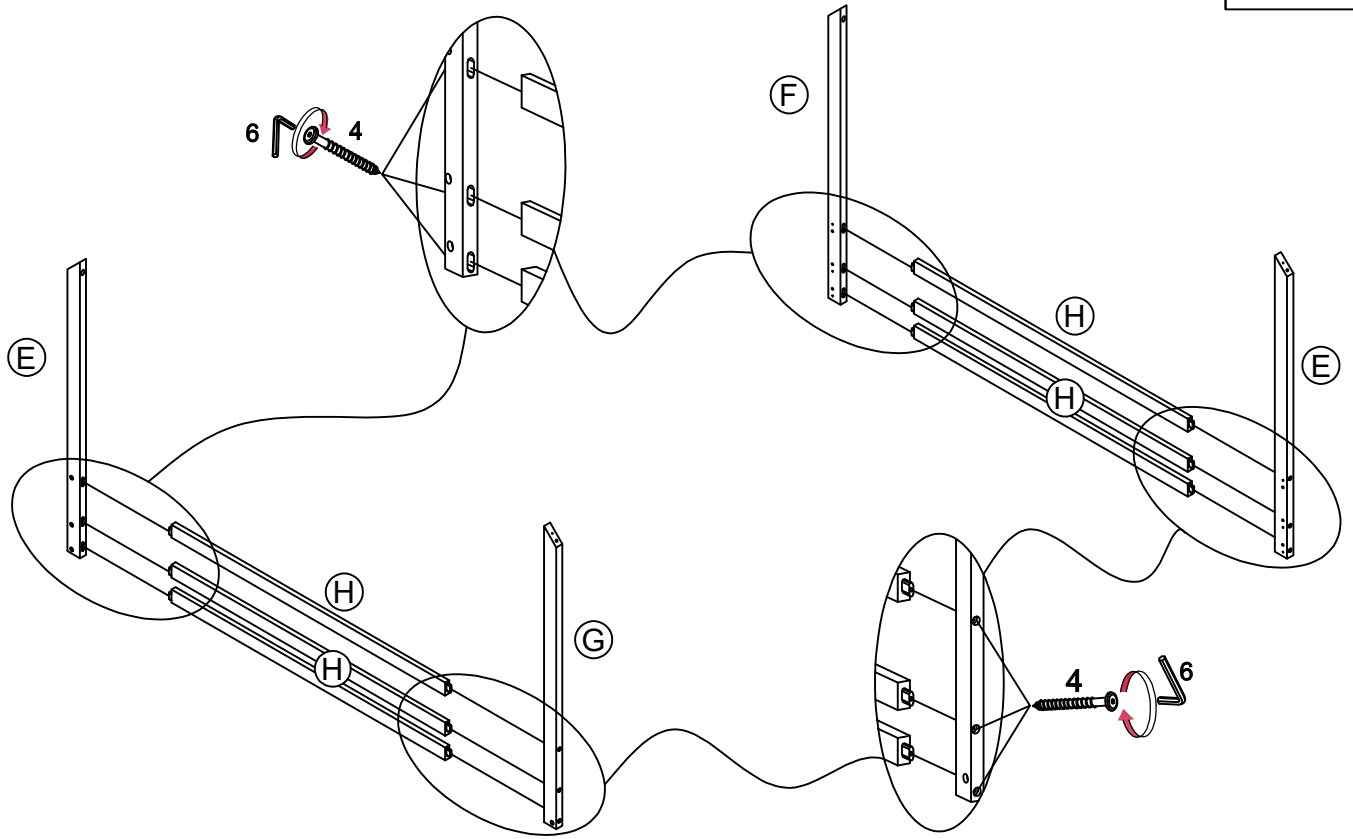
## STEP 1: Following below illustration Assembly FRAME #1.

Using hardware # 2 connect E and G Front right-left leg with H Left horizontal (lower-upper)  
 And using hardware # 2 connect F and E Back right-left leg with H Left horizontal (lower-upper)  
 to complete FRAME #1.

2



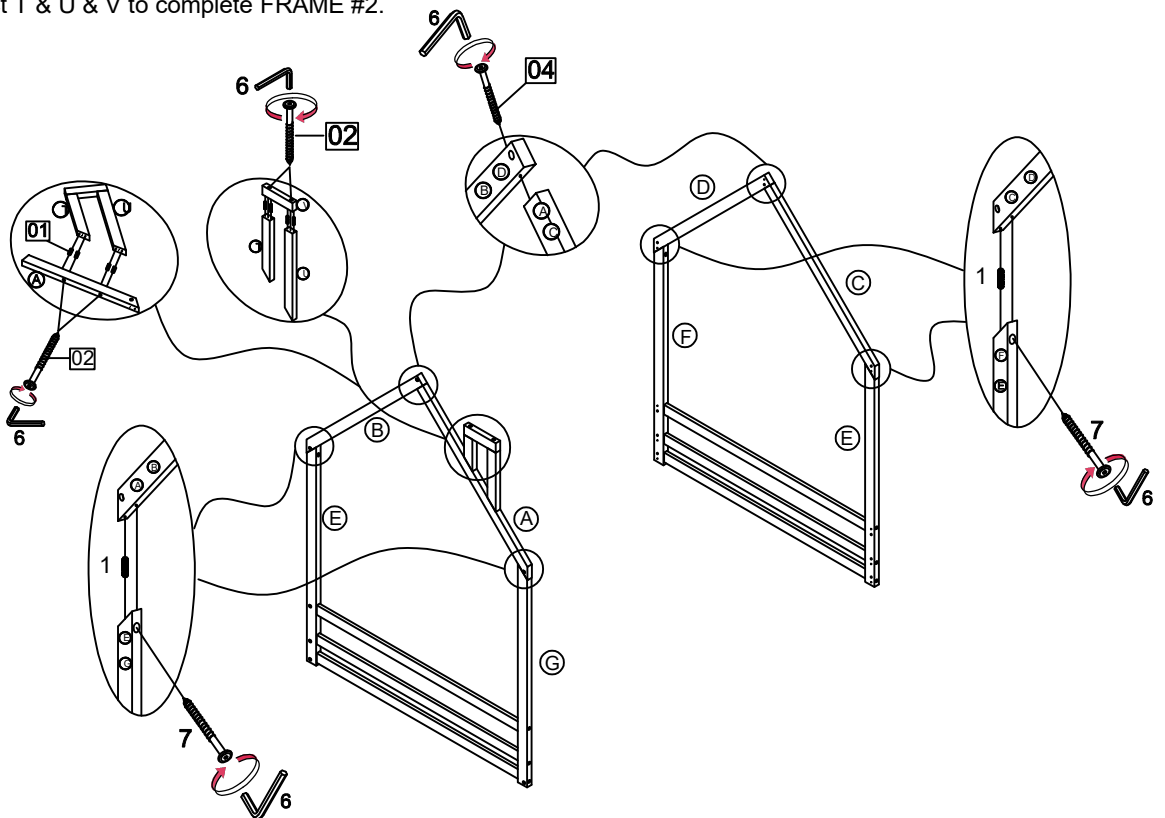
12PCS



## STEP 2: Following below illustration Assembly FRAME #2.

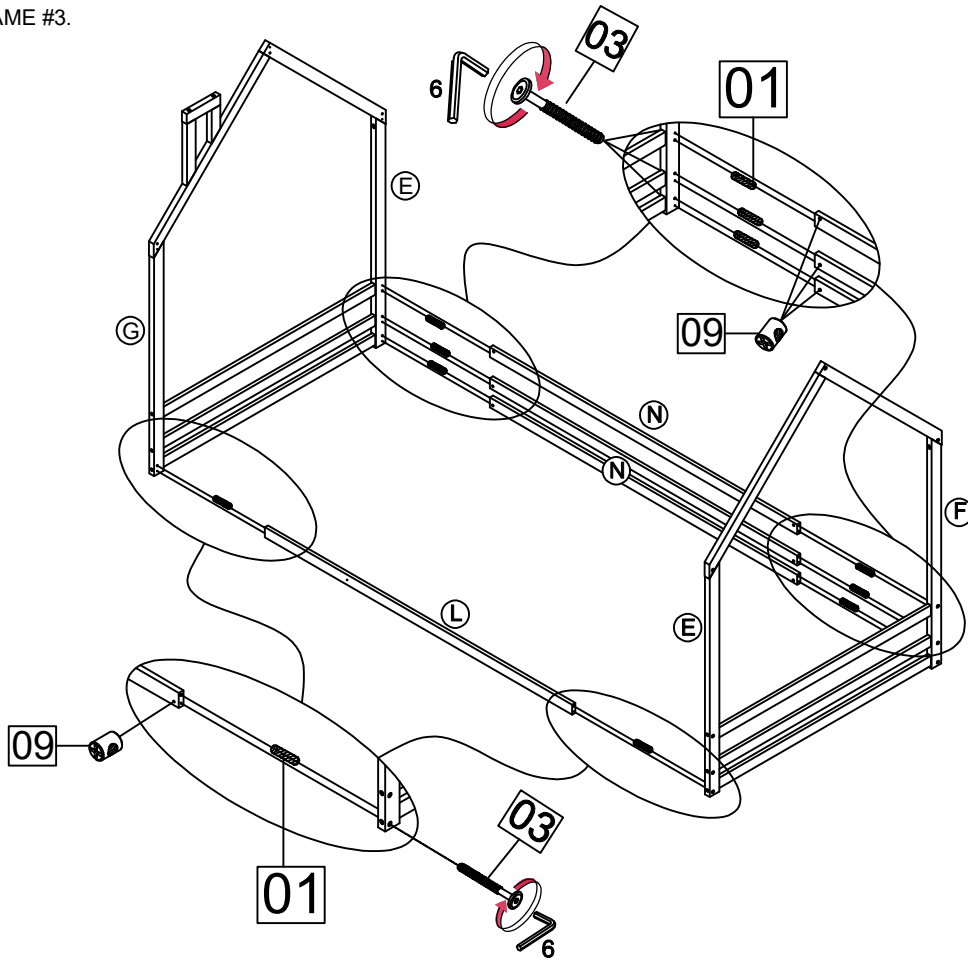
Using hardware # 1 & # 7 connect C and D Front right-left leg with F and E Left horizontal (lower-upper)  
 And using hardware #1 & # 7 connect A and B Back right-left leg with E and G Left horizontal (lower-upper)  
 and using hardware # 4 connect C and D & A and B . And using hardware #2 connect A and connect T & U & V to complete FRAME #2.

1	2	4	7
12PCS	4PCS	2PCS	4PCS



### STEP 3: Following below illustration Assembly FRAME #3.

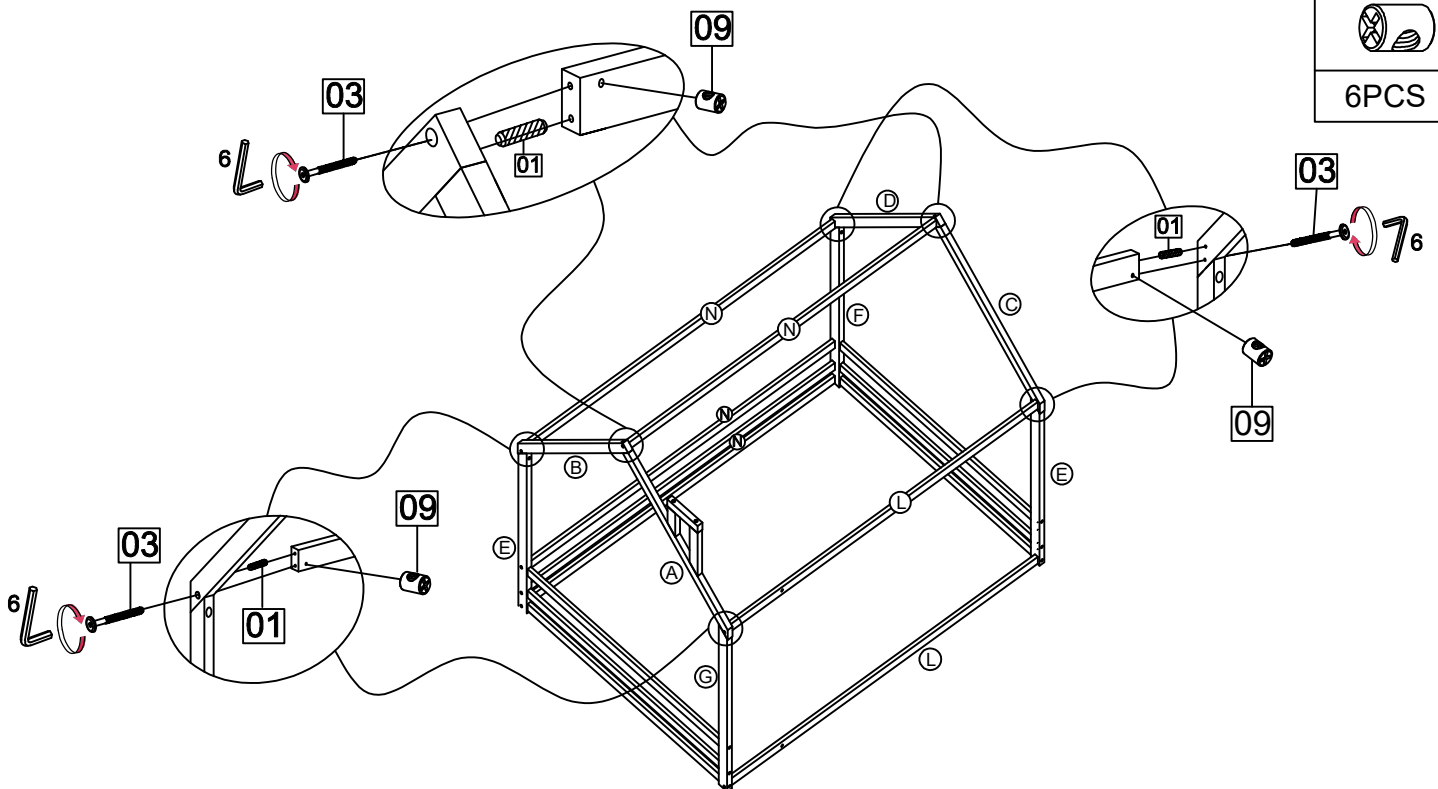
Using hardware #1 & # 3 & # 9 connect E and G Front right-left leg with N and L Left horizontal (lower-upper)  
 And using hardware #1 & # 3 & # 9 connect F and E Back right-left leg with N and L Left horizontal(lower-upper)  
 to complete FRAME #3.



01		03	
8PCS		8PCS	
		09	
		8PCS	

### STEP 4: Following below illustration Assembly FRAME #4.




Using hardware #1 & # 3 & # 9 connect C and D Front right-left leg with N and L Left horizontal (lower-upper)  
 And using hardware #1 & # 3 & # 9 connect A and B Back right-left leg with N and L Left horizontal (lower-upper)  
 to complete FRAME #4.

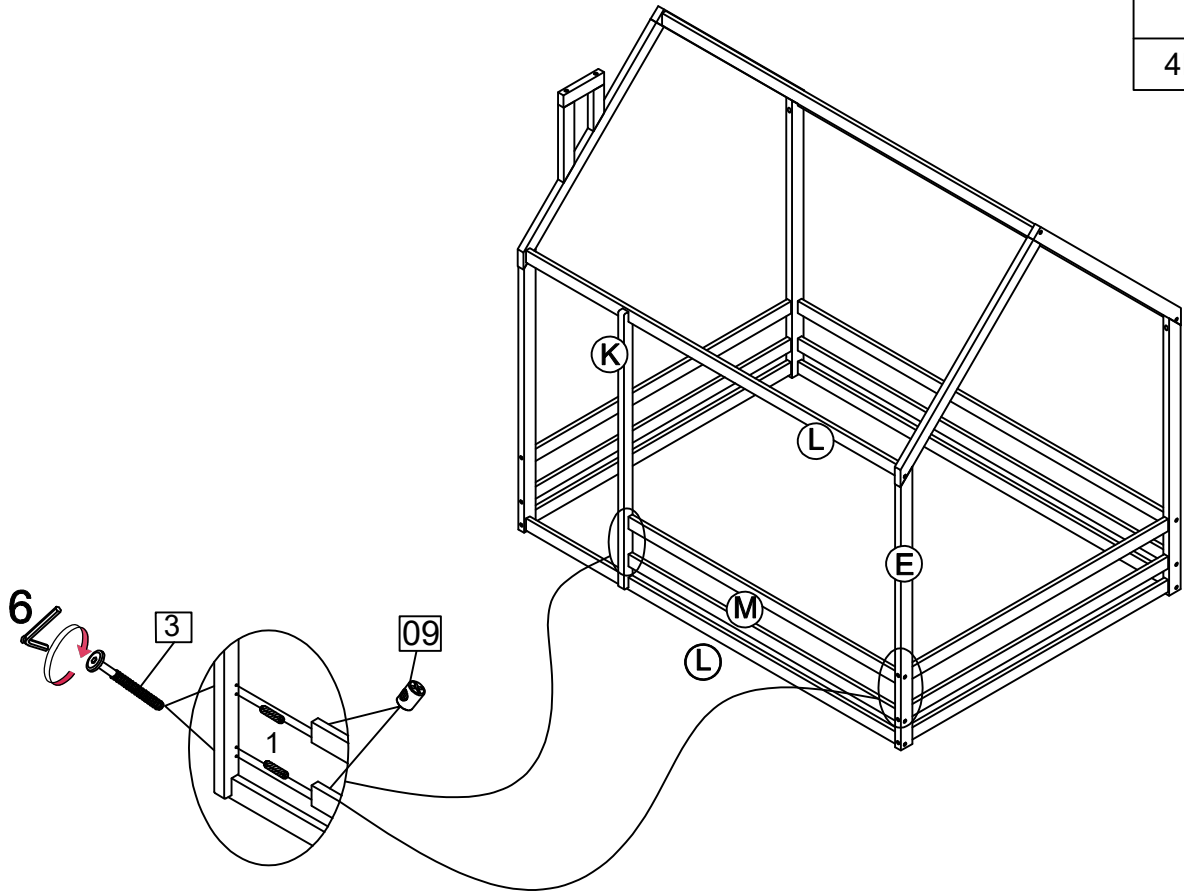


01		03	
6PCS		6PCS	
		09	
		6PCS	

# STEP 5: Following below illustration Assembly FRAME #5.


Using hardware #1 & #3 & #9 connect K and M Front - left leg with E to complete FRAME #5

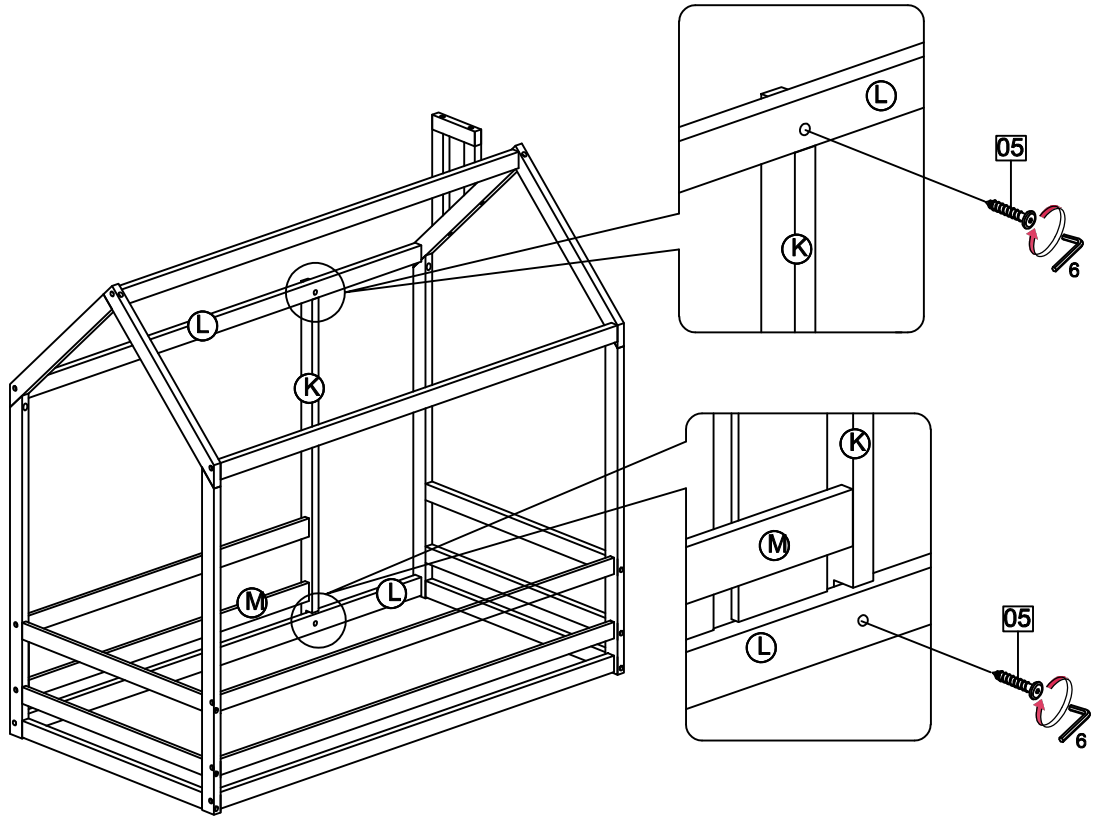
01		03	
4PCS		4PCS	
		09	
		4PCS	



# STEP 6: Following below illustration Assembly FRAME #6.


Using hardware #5 connect K and L to complete FRAME #6

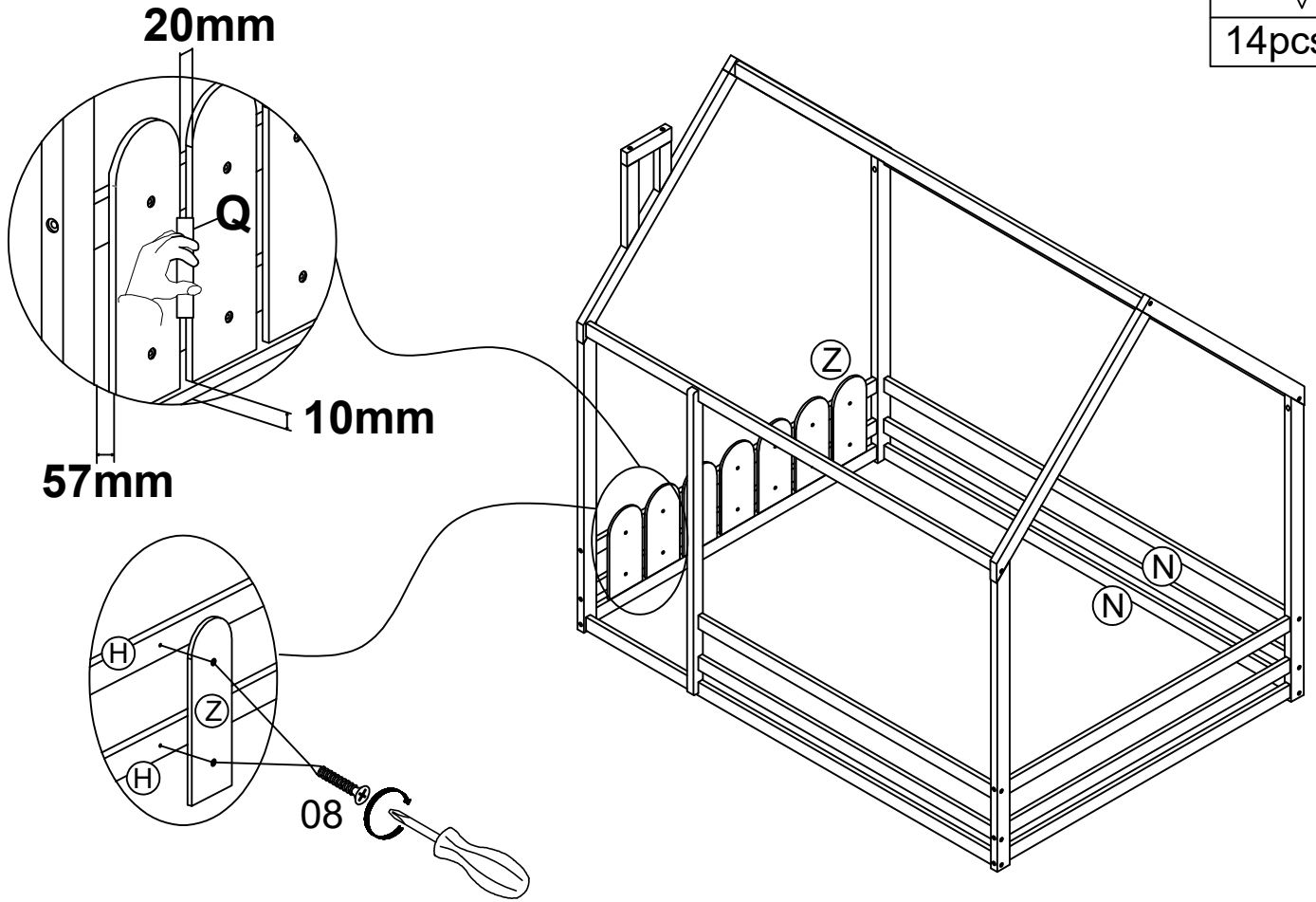
05	
2PCS	



### STEP 7: Below illustrates FRAME Assembly #7.


Use hardware #8 connect Z Front - left foot to H and use Q measure detailed distance to complete FRAME NO.7

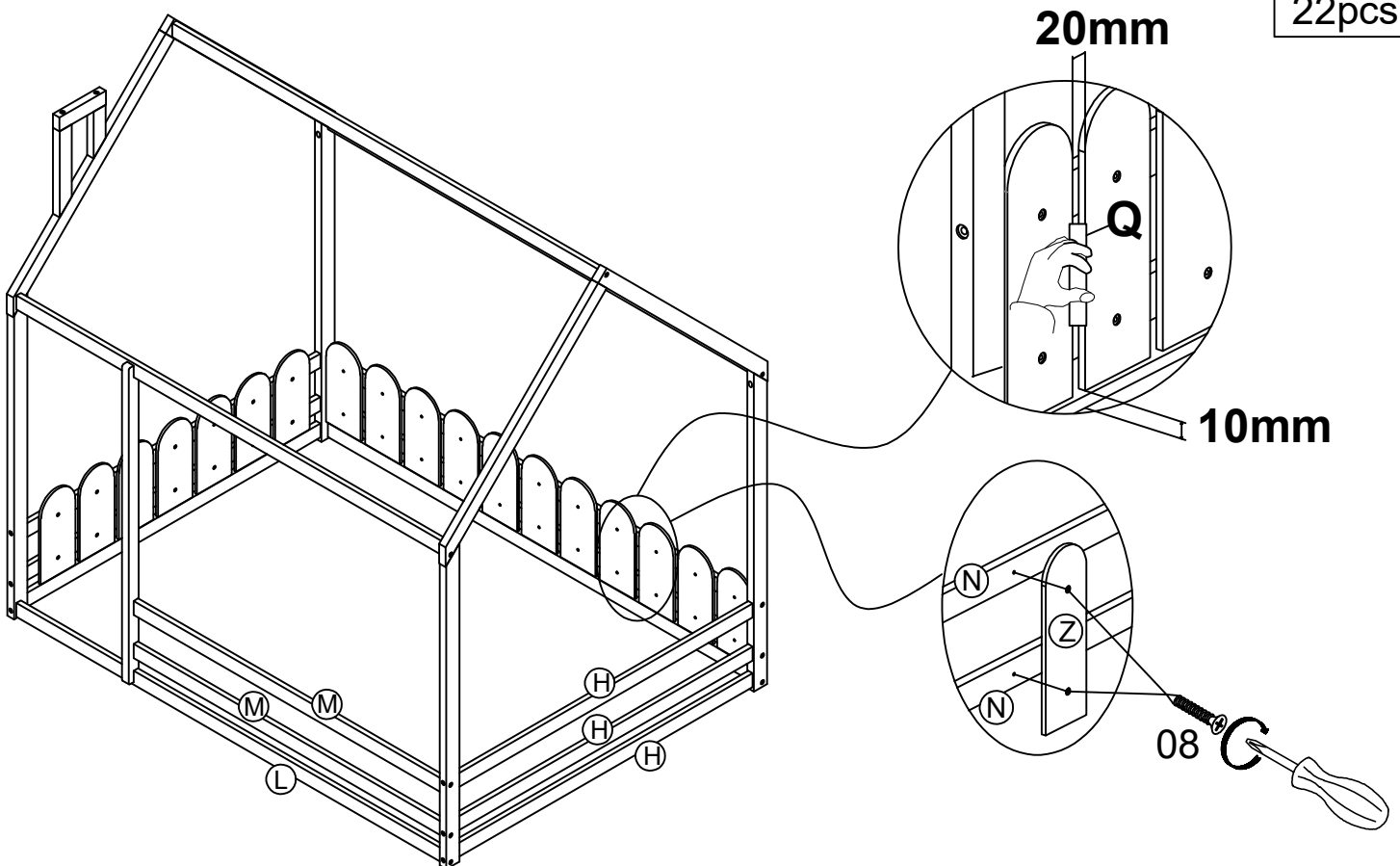
08   
14pcs



### STEP 8: The illustration below is Assembly FRAME #8.



Use hardware #8 connect Z Front - left foot to N and use Q measure detailed distance to complete FRAME #8

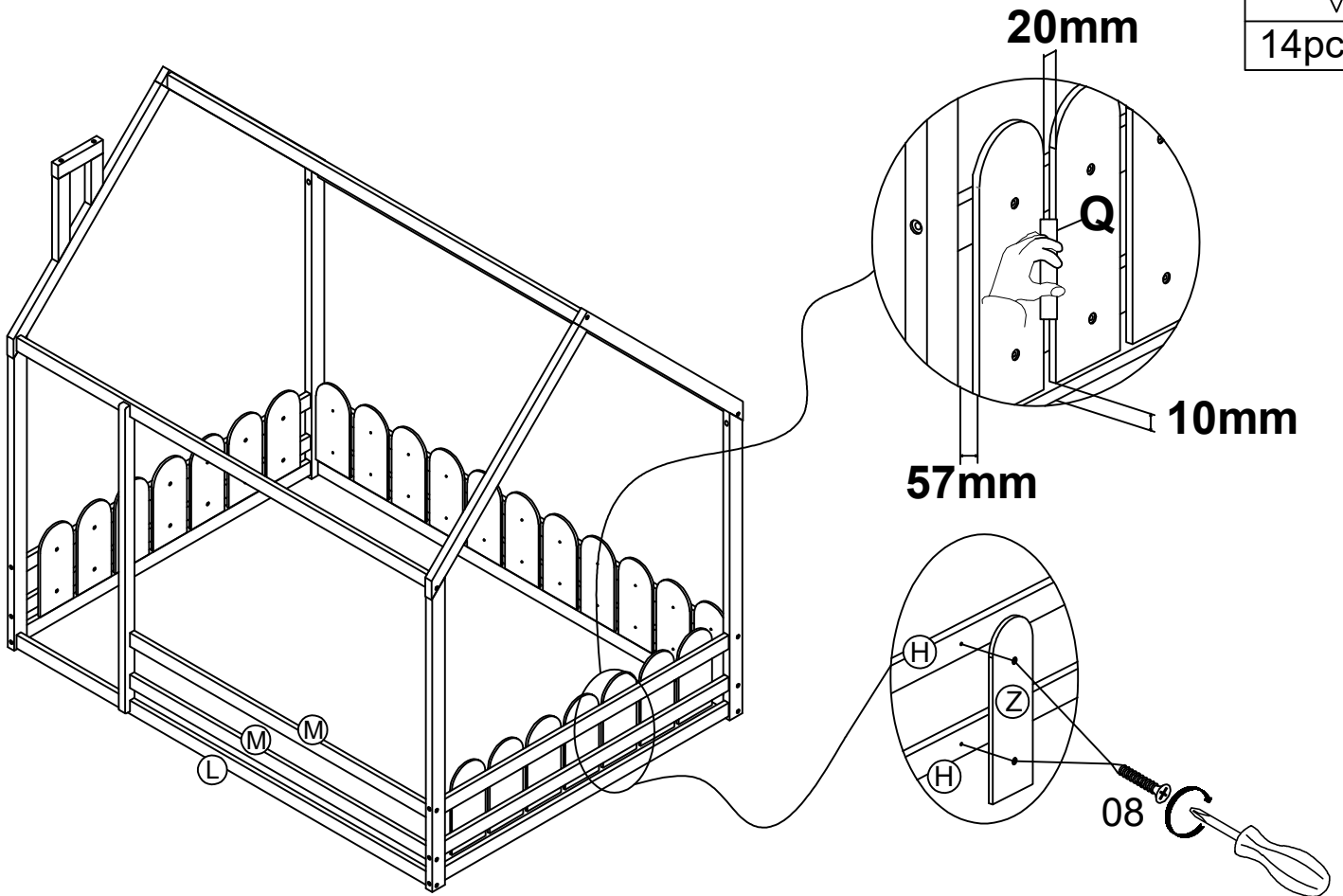
08   
22pcs



# STEP 9: Below illustrates FRAME Assembly #9.



Use hardware #8 connect Z Front - left foot to H and use Q measure detailed distance to complete FRAME #9

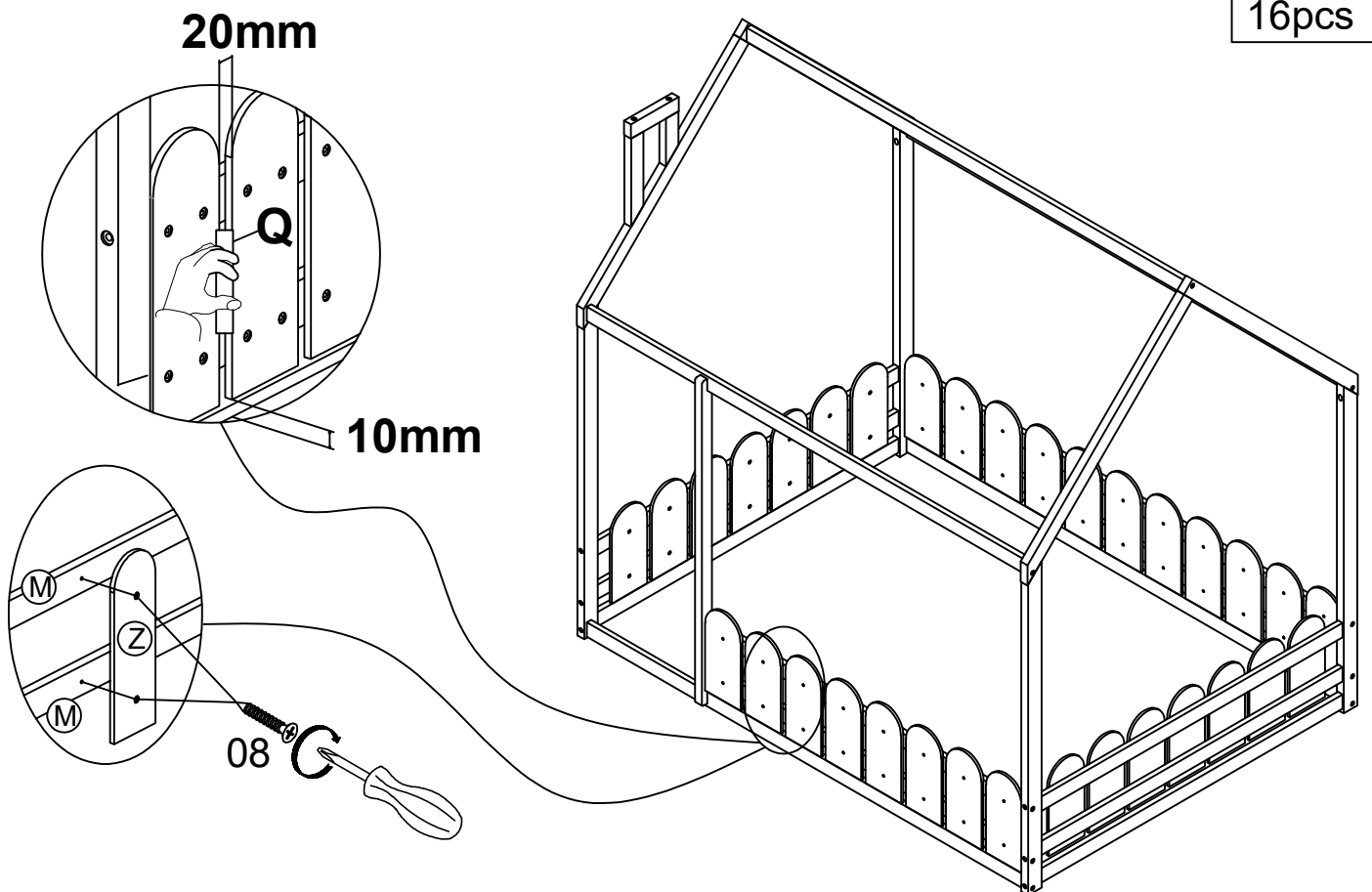
08	
	
14pcs	



# STEP 10: The following illustrates the Assembly FRAME #10.

Use hardware #8 connect Z Front - left foot to M and use Q measure detailed distance to complete FRAME #10

08	
	
16pcs	



# COMPLETED

