

CONTENTS

Safety Instructions	1
Hardware	2
Components	3
Assembly	4
Assembly	5

WARNING

PLEASE READ THESE INSTRUCTIONS CAREFULLY AND KEEP FOR FUTURE REFERENCE



Warning. Not suitable for children under three years. Small Parts. Long Net. Strangulation Hazard.

Failure to follow these safety instructions may result in serious injury or property damage and will void the warranty.

A responsible adult must supervise and ensure that all players know and follow these rules for safe operation of the product. Pass these instructions onto any future owners of this product.

To ensure safety, do not attempt to assemble this product without following the instructions carefully.

Check the entire box and inside all packing material for parts and/or additional instruction material. Before beginning assembly, read the instructions and identify parts using the hardware identifier and parts list in this manual.

Proper and complete assembly, use, and supervision are essential for proper operation and to reduce the risk of accident or injury. A high probability of serious injury exists if this product is not installed, maintained, and operated properly.

Children should be supervised at all times to ensure they do not climb, mount, sit, lean upon, adjust, move or misuse the stand in any way. Failure to follow this warning poses a risk of serious injury or property damage.

Do not use this product for commercial purposes. This product is designed for outdoor, domestic use only.

If using a ladder during assembly, use extreme caution. Pay attention to all instructions and guidance provided with the ladder.

Check the base for leakage before each use. Small leaks could cause the product to tip over unexpectedly.

Check all parts for wear or damage before each use.

Do not use if any parts appear broken or damaged. Seek suitable replacement from Customer Services.

Do not use any other fixings or attachments not provided with the set. These may not offer the same strength or stability and can lead to accident or injury occurring.

Seat the pole sections properly and ensure all parts are securely tightened. Failure to do so could allow the pole sections to separate during play and/or during transport of the product.

Climate, corrosion or misuse could result in product failure.

If technical assistance is required, contact customer service.

Most injuries are caused by misuse and/or not following instructions. Use caution when using this unit.

Do not hang on the rim or any part of the product including backboard, support braces or net.

During play, especially when performing dunk type activities, keep player's face away from the backboard, rim and net. Serious injury could occur if teeth/face come in contact with backboard, rim or net.

Do not slide, climb, shake or play on base and/or pole.

After assembly of the base is complete, fill product completely with water or sand. Never leave product in an upright position without filling base with weight, as product may tip over causing injuries.

When adjusting height or moving product, keep hands and fingers away from moving parts.

Do not allow children to move or adjust product.

During play, do not wear jewellery (rings, watches, necklaces, etc.). Objects may entangle in net.

Only mount the product on a dry, flat, even surface.

The surface beneath the base must be smooth and free of gravel or other sharp objects. Punctures cause leakage and could cause product to tip over.

Keep organic material away from pole base. Grass, litter, etc. could cause corrosion and/or deterioration.

Check pole product for signs of corrosion (rust, pitting, chipping) and repaint with exterior enamel paint. If rust has penetrated through the steel anywhere, replace the pole immediately.

Do not use product during windy and/or severe weather conditions; product may tip over. Place product in the storage position and/or in an area protected from the wind and free from personal property and/or overhead wires.

When moving product, use caution to keep mechanism from shifting.

Do not allow water in tank to freeze. Empty the tank completely before storage.

While moving product, do not allow anyone to stand or sit on base or have added ballasting on base.

Do not leave product unsupervised or play on product when the product is moving.

Use Caution when moving product across uneven surfaces. System may tip over.

Never hang or swing from the product.

When positioning the product, ensure sufficient space for foreseeable use. Do not mount under any live electrical wires, utilities or drains.

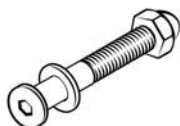
Do not use this product for anything other than its intended purpose. Misuse can result in serious injury or property damage.

Two people are needed for assembly. Failure to follow this warning could lead to serious injury or damage to property.

HARDWARE



A: Short Hex Bolt with Washer x2



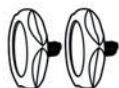
B: Long Hex Bolt with Washer x1



C: Small Hex Bolt with 2 Washers and Nut x4



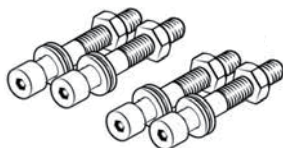
D: Socket Button Head with Washers and Nut x4



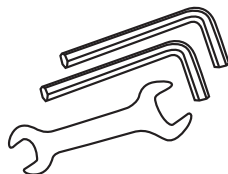
E: Tension Knobs x2



H: Long Hex Bolt with 2 Washers and Nut x2



I: Short Hex Bolt with 4 Washers and Nut x4



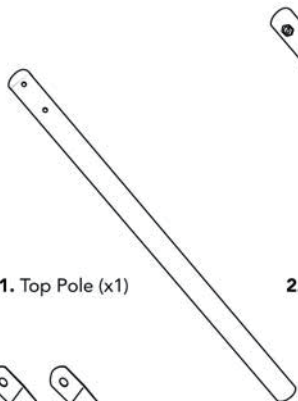
F: Tool Set x1



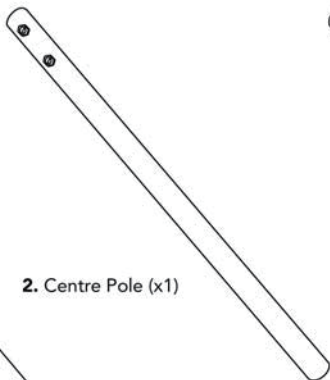
G: Spanner x1

COMPONENTS

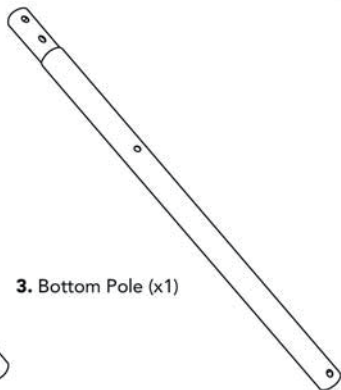
1. Top Pole (x1)



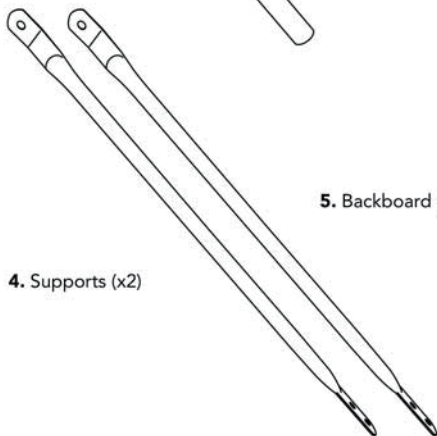
2. Centre Pole (x1)



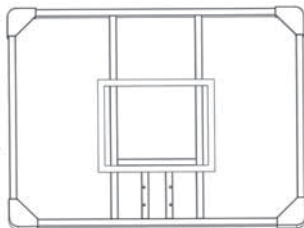
3. Bottom Pole (x1)



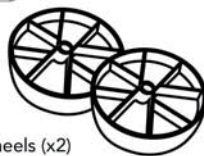
4. Supports (x2)



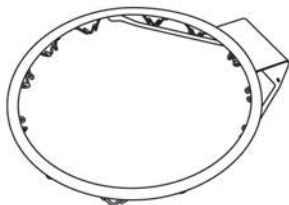
5. Backboard (x1)



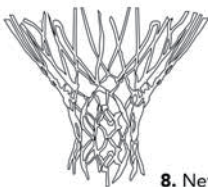
6. Wheels (x2)



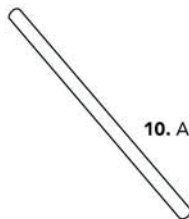
7. Hoop (x1)



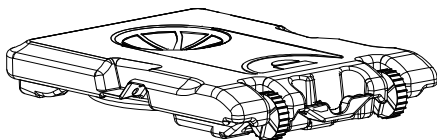
8. Net (x1)



10. Axle (x1)



9. Base (x1)



11. Top Pole Brace (x2)



ASSEMBLY

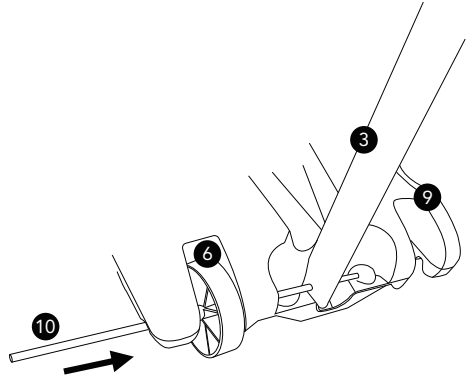
STEP 1

To build the first part of this assembly you will need;

- The Bottom Pole (3)
- Wheels (6)
- Base (9)
- Axle (10)

Align one of the Wheels (6) into the slots on the Base (2), using the help of another person take the Bottom Pole (3) and place into the front of the Base.

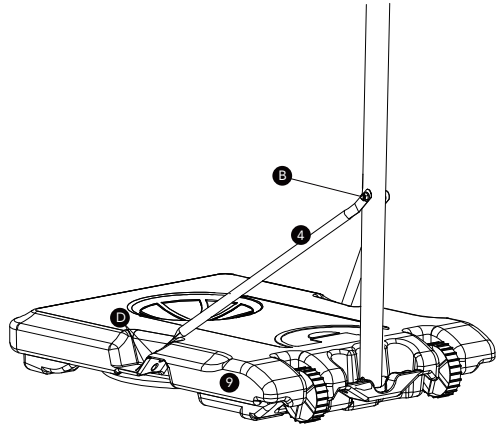
Thread the Axle (10) through the holes; to the Wheel and through the Bottom Pole and through to the second Wheel.



STEP 2

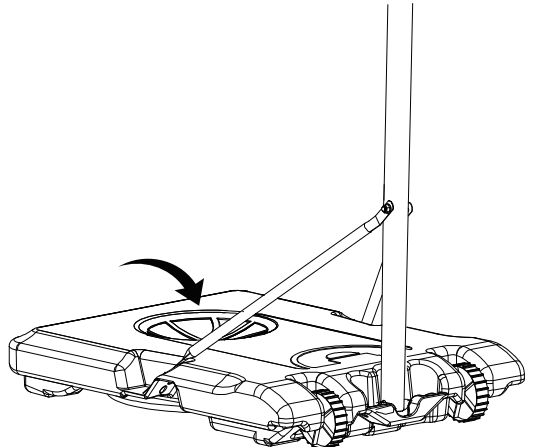
Take both Supports (4) and align the holes up with those on the base, secure the four holes on the base using (D) Bolts.

Then secure to the Bottom Pole (3) using (B) BOLTS tightening to secure.



STEP 3

With a person holding the structure fill the Base with either water or sand, to give the structure stability.

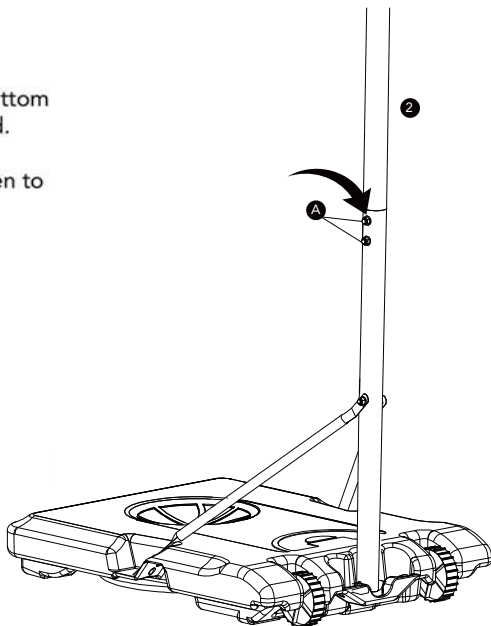


ASSEMBLY

STEP 3

Take the Centre Pole (2) and slot over the Bottom Pole (3), ensuring the screw holes are aligned.

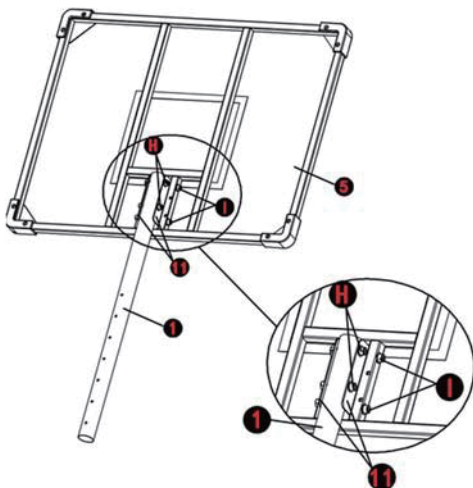
Secure into place using the 2 (A) bolts, tighten to secure.



STEP 4

To assemble the Backboard (5) and Top Pole (1).

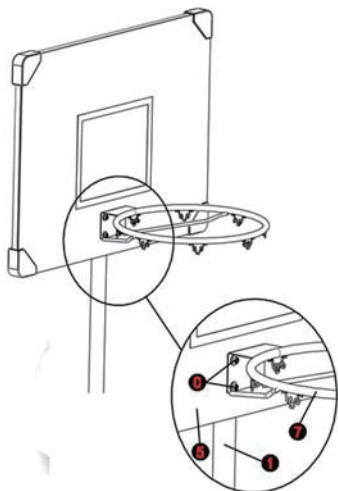
Fix the Top Pole (1) to the Top Pole Braces (11) and Backboard (5) with Bolts, Nuts & Washers (I) and Bolts, Nuts & Washers (H).



ASSEMBLY

STEP 5

Lock the Rim (#7) to the Backboard Backboard (5) with 4 sets of Bolts, Nuts & Washers (C) as shown.



STEP 6

Attach Net (8) to Rim (7).

The height can be adjusted using the Tension Knobs (E) by loosening and adjusting the height of the Top Pole, re-tighten when sufficient height is achieved.

CAUTION: Only an adult should adjust the height.

Min Height -1.79M
Max Height -2.13M



NOTICE

- Please read all instructions before attempting to install or assemble this item. Assembly should be done by adults only.
- Firmly secure all screws before use.
- Reconfirm that all bolts, screws, and knobs are secure every 90 days.
- Product is intended for outdoor use.
- If any parts are missing, broken, damaged, or worn, stop using this item until repairs are made and/or factory replacement parts are installed.
- Do not use this item in a way inconsistent with the manufacturer's instructions as this could void the product warranty.

CAUTION DURING USE

- Do not hang from the rim or climb on the pole. Do not climb on the base or structure in general, as this could result in serious injuries.
- Adjustment and moving of the basketball set must be carried out by adults.
- Always check the unit to ensure the base is full of water or sand, and that all fittings and hardware are tight before each use.
- Always place the base of the set on a flat surface.
- Do not allow water to freeze in the base.
- The set requires two people for assembly.
- Check the base regularly for any leakage before playing.



Product Inquiry



Orders FAQ



Product Assembly