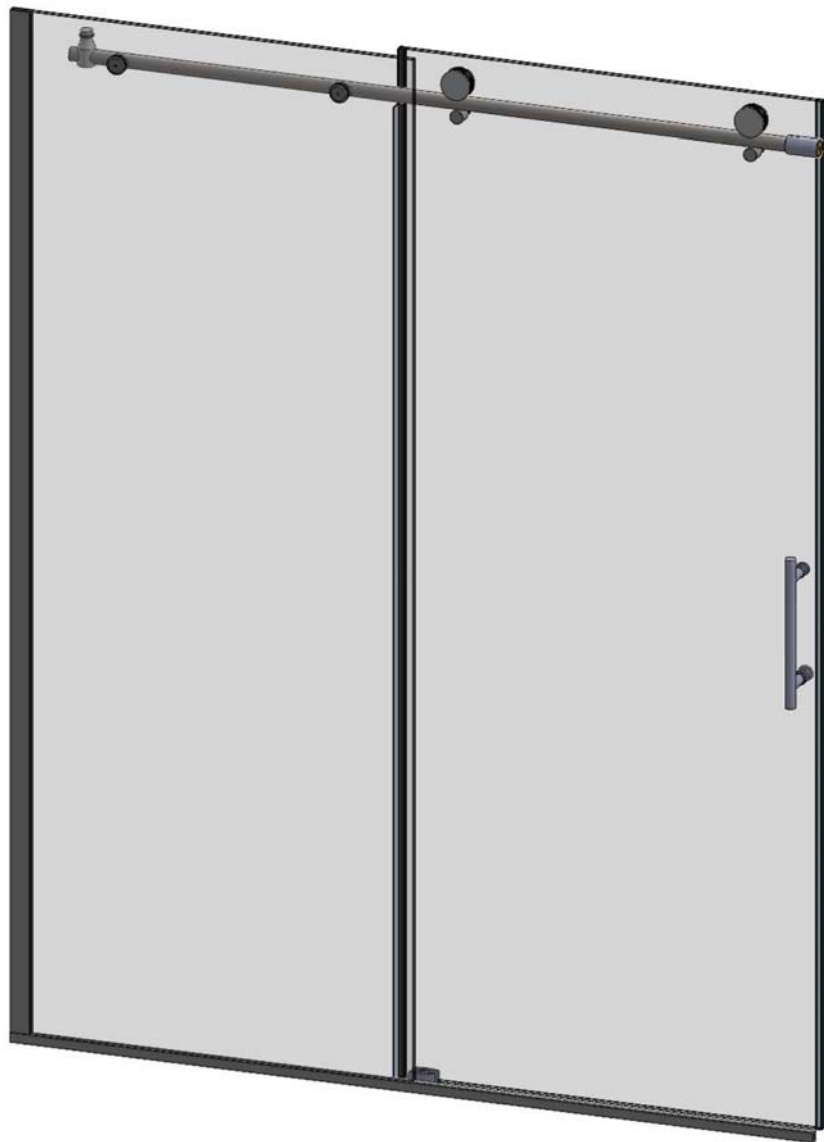


FIXED PANEL SLIDER

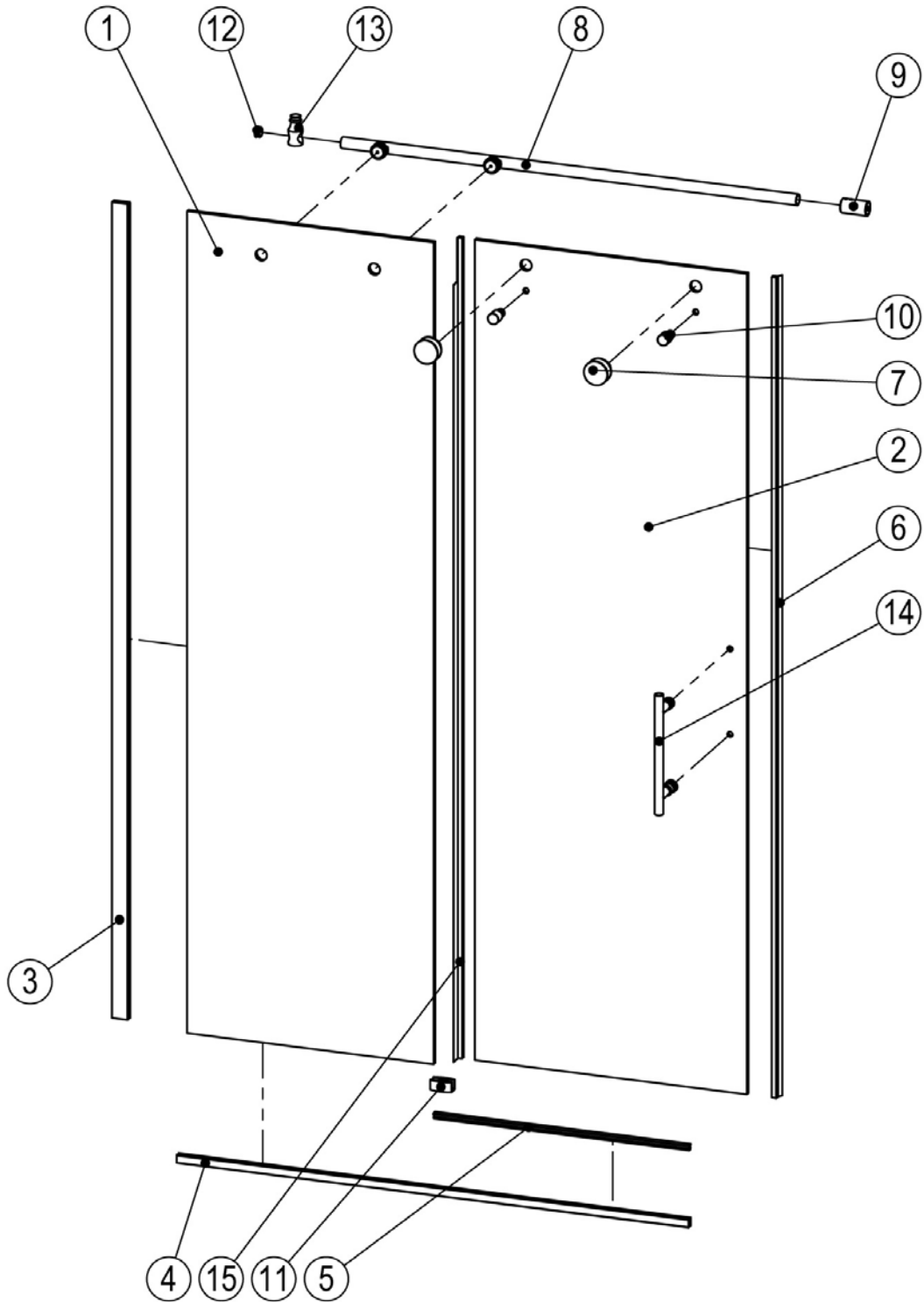
FRAMELESS DOOR / PANEL



VINA-935 Parts List

ITEM NO.	NUMBER	DESCRIPTION	QTY.
1	CLZ2278-13A (44"-47") CLZ2878-13A (56"-59")	GLASS PANEL	1
2	CLZ2514-13C (44"-47") CLZ3114-13C (56"-59")	DOOR PANEL	1
3	SC925-0001-77	U-CHANNEL, VERTICAL, L - 77"	1
4	SC938-0001-48.5 SC938-0001-60.5	U-CHANNEL, HORIZONTAL, L - 48.5" or 60.5"	1
5	SC892-0001-30	FILLER, L - 30"	1
6	SCV353-0001-75.69	3/8" VINYL, SEAL, L - 75.69"	1
7	RO9AA-090PS	ROLLER	2
8	HA9AS-420PS HA9AS-540PS	HEADER ASSEMBLY, L - 42.25" or 54.25"	1
9	BK9J-000PS	WALL MOUNT BRACKET	1
10	AJ9AQ-000PS	ANTI-JUMP	2
11	GU9AD-000PS	GUIDE, DOOR	1
12	PL9AA-000PS	END PLUG, HEADER	1
13	ST9AA-000PS	DOOR STOPPER	1
14	PU9S-8SS	7 7/8" HANDLE	1
15	SCV921-0001-75.69	VINYL SEAL, L - 75.69"	1

VINA-935 Exploded View



Tools:

To install your shower enclosure, you will need the following:

- Pencil
- Low Tack Masking Tape
- Tape Measure
- 4' & 6' Levels
- #2 Phillips Screwdriver
- Drill
- 3/16" - 1/4" Drill Bit
- Hack Saw
- Caulk (Clear Silicone Recommended)
- Caulk Gun
- Suction Cups
- Center Punch (if drilling into tile)
- Files

Installation Notes:

This unit is best installed by two people.

Cover the drain with tape prior to installation to prevent loss of small parts.

Unpack your unit carefully and inspect for freight damage. Lay out and identify all parts using the instruction sheet as a reference. Before discarding the carton, check to see that no small hardware parts have fallen to the bottom of the box. If any parts are damaged or missing, refer to the description noted in the instructions when contacting your dealer for replacements.

Handle the glass panels carefully and protect the edges. Safety tempered glass is very resistant to breakage, but the sharp corners of the panels can damage tile and flooring surfaces. Also, the glass can break if unequal pressure is applied during installation.

Please wear safety glasses whenever drilling or cutting. When drilling holes in ceramic tile or marble, use a center punch and hammer to carefully break the glazed surface to prevent skidding when drilling.

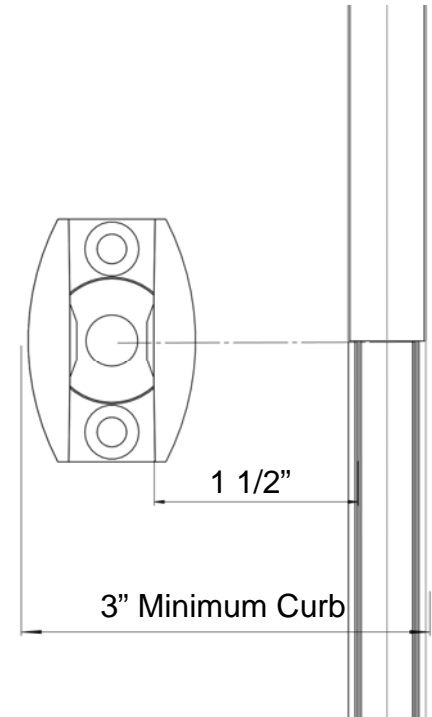
Maintenance:

Two primary materials are used to manufacture your new shower enclosure: tempered glass and anodized aluminum. To assure a long lasting finish on the enclosure, wipe it down with a towel after each use.

For occasional, more concentrated cleaning efforts, we find that **Lysol Non-Abrasive Bathroom Cleaner** works extremely well. Be sure that any over spray falling on the aluminum frame is rinsed thoroughly and dried. Many over-the-counter cleaners, if applied to the aluminum and left on, will harm the metal finish and cause permanent damage even though their directions indicate safe use on shower doors. Never use a scouring agent to clean the aluminum.

NOTE: Tempered glass cannot be cut.

1 If a continuous unit centerline does not exist from the original measuring process, it will be necessary to create one. Lightly mark a continuous unit centerline on the threshold. Next, mark a continuous unit centerline on each wall, starting where the threshold centerline meets the wall. Use a level to ensure the wall centerline is plumb and straight. The wall centerlines should be a minimum of the unit height from the threshold.



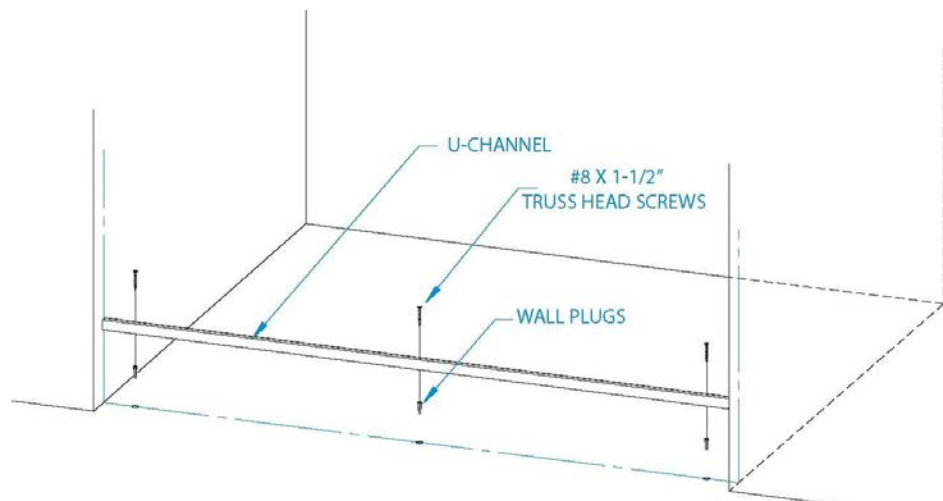
This unit requires the use of a Door Guide [11] that mounts 1 1/2" away from the inside of the horizontal u-channel. Be sure that the curb is wide enough before drawing centerline for the u-channel. See example.

Note: Centerline (CL) is a term used to describe the center or mid-point of the unit. The position of the unit centerline can be located anywhere within the width of the threshold, as long as adequate structure exists beneath the centerline for fastening and the outer edges of the unit will not overhang the threshold. The most common unit centerline position is the middle of the threshold.

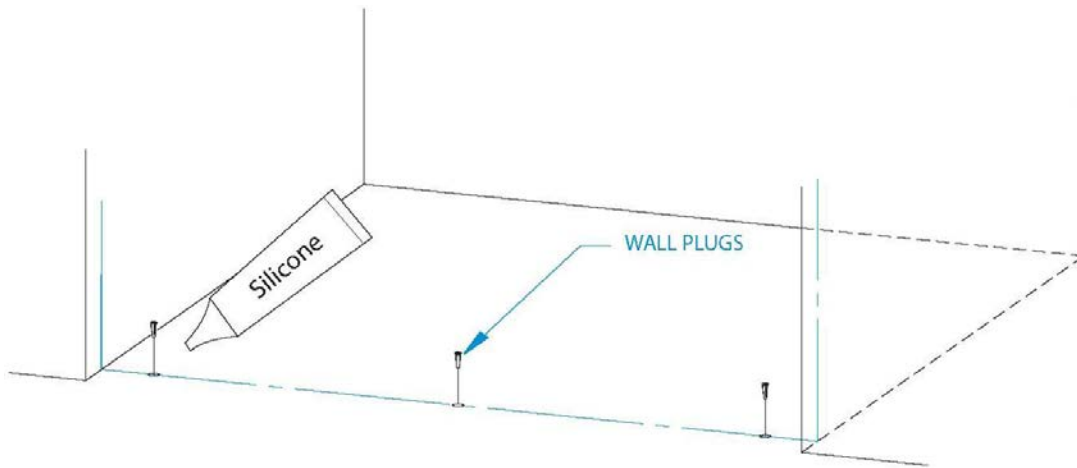
2 Verify that the U-channel is cut to the appropriate size. This piece of U-channel will be equal to the opening width. Next drill three 3/16" diameter holes in the center of U-channel (centerline groove provided for convenience), two holes approximately 2-1/2" from each end and one in the middle. Place the U-channel in its correct position with the u-channel centerline over the threshold centerline as marked in step one.

With a pencil carefully mark each hole position on the threshold centerline. Remove the u-channel and drill a 3/16" diameter hole, approximately 1" deep, directly on the threshold centerline at the marked locations.

Note: It is critical that the threshold U-Channel is centered on the centerline.



3 Insert a small amount of silicon into each drilled hole, then insert a wall anchor into each hole. (Note: Drill hole, then insert a wall anchor.) This must be done just before u-channel installation. Carefully cut the heads off the wall anchors with a razor blade. Place the U-Channel in correct position and secure it with #8 x 1-1/2" truss head screws.



4 Verify that the U-channel [3] is cut properly using the below formulas:

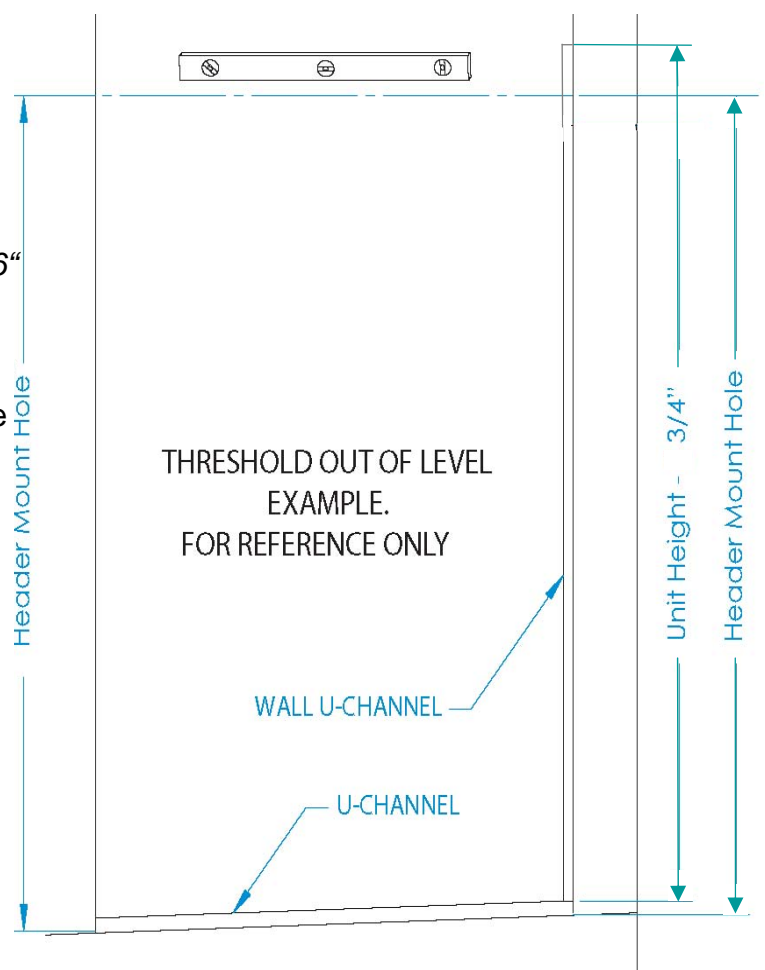
$$U\text{-channel Height} = \text{Unit Height} - 3/4"$$

Or

$$U\text{-channel Height} = \text{Panel Glass Height} - 9/16"$$

Note: If out of level conditions exist be sure to use the longer U-channel on the appropriate side (see illustration).

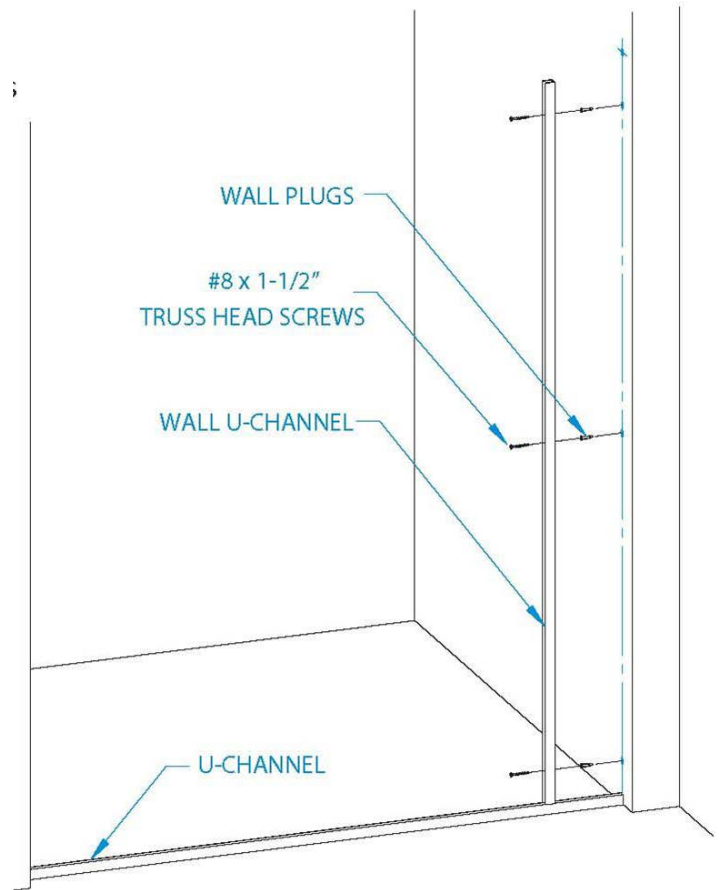
Next, drill three 3/16" diameter holes in the center of U-channel (centerline groove provided for convenience); one hole 2-1/2" from each end and one hole in the middle. Place the U-channel over the wall centerline marked in step one. With a pencil, carefully mark each hole position on the wall centerline. Drill a 3/16" diameter hole, approximately 1" deep, directly on the wall centerline at the marked locations.



5 Insert a wall plug [16] into each drilled hole. Then carefully cut the heads off of the wall plugs [16] with a razor blade. So there is nothing raised above the surface of the wall.

Place the u-channel [3] in position and secure it with #8 x 1-1/2" truss head screws [18].

Note: Do not over-tighten the screws.



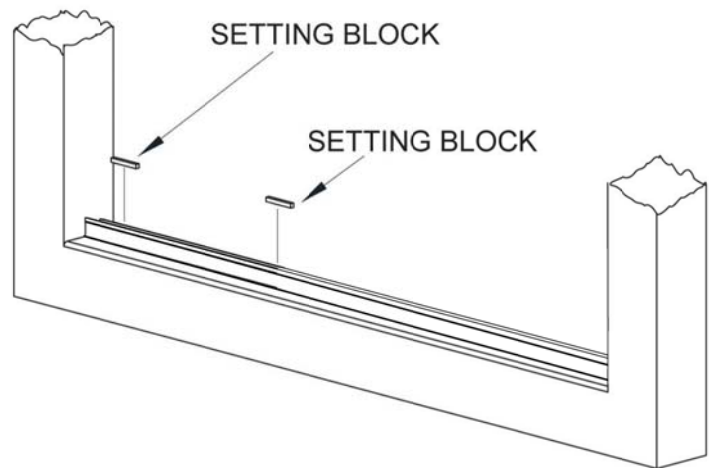
6 Place 1/8" setting blocks [20] into the U-channel as shown or approximately every 18".

DO NOT place setting blocks over screw heads, but set them close to ensure that the screw heads are below the setting blocks.

Using suction cups set, the Stationary Glass Panel into the U-channels on the appropriate side. Use different sizes of setting blocks to make exposed edges of the glass level and plumb.**

Exposed edges **MUST** be level and plumb before moving to next step.

**Different sizes setting blocks may be required depending on level conditions. Various sizes of setting blocks are provided and can be used in different combinations (stacked) to obtain the desired result.

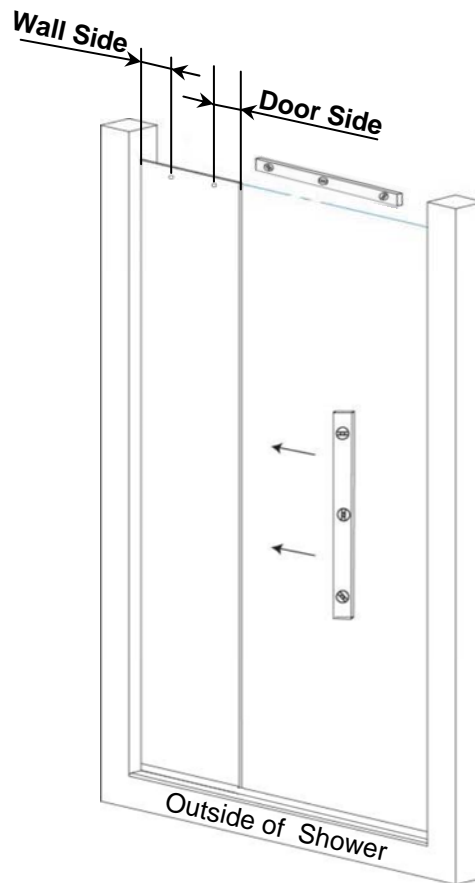


7 Using suction cups, set the Glass Panel into the U-channels on the appropriate side. Use different sizes of setting blocks to make exposed edges of the glass level and plumb.**

Refer to the sizing chart below to properly orient the Glass Panel according to the unit range. Measurement is from edge of glass to the header bar assembly hole*

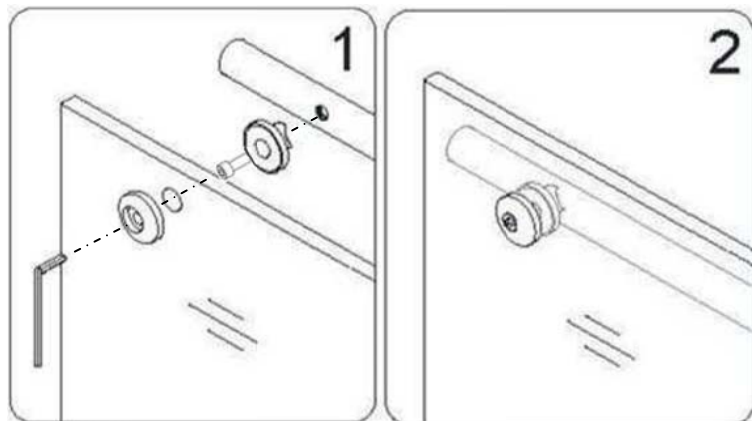
Exposed edges **MUST** be level and plumb before moving to next step.

*Panel Glass Sizing Chart		
Unit Range	Wall Side	Door Side
44 1/2" - 45 3/4"	5 1/2"	6 7/8"
45 3/4" - 47 1/2"	6 7/8"	5 1/2"
56 1/2" - 57 5/8"	5 1/2"	6 7/8"
57 5/8" - 59 1/2"	6 7/8"	5 1/2"

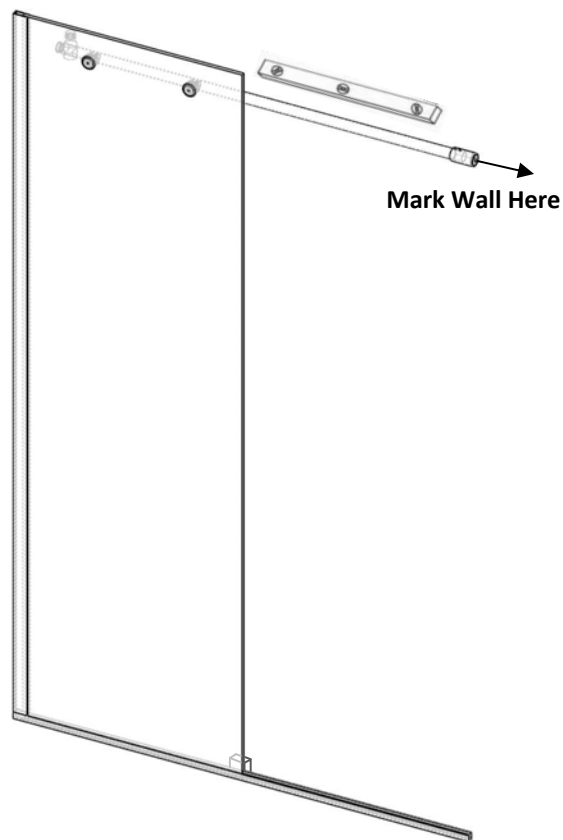


**Different sizes setting blocks may be required depending on level conditions. Various sizes of setting blocks are provided and can be used in different combinations (stacked) to obtain the desired result.

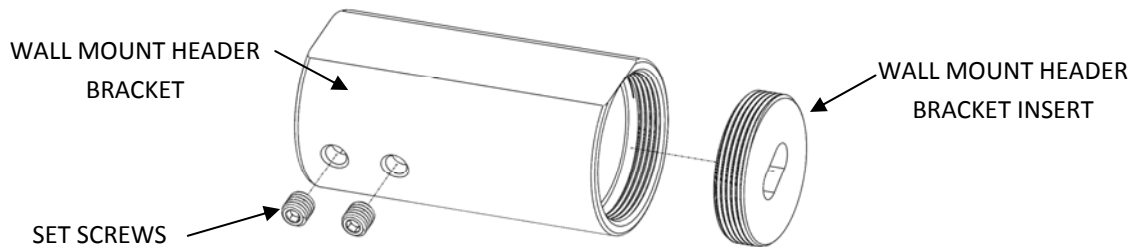
8 Once the Stationary Glass Panel [1] has been installed, attach the roller bar header assembly [8] to the top of the panel glass (see example). Once in place, slightly loosen the screw inside to allow for adjust of the header bar. Once adjusted to proper length and leveled, tighten the screws.



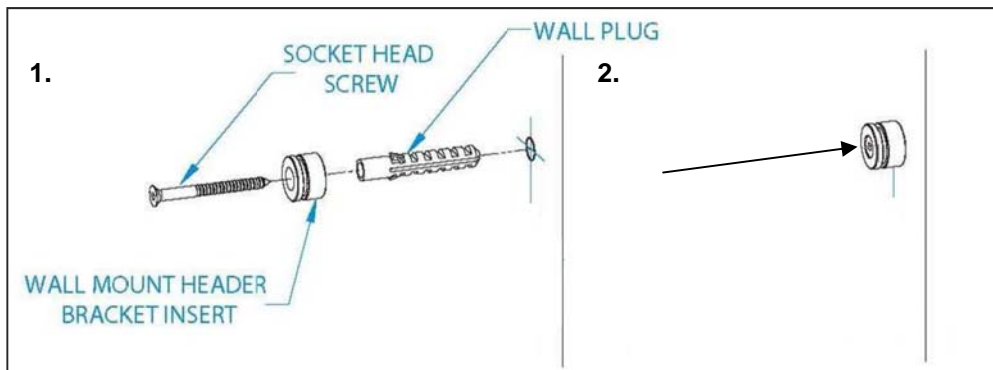
With the header assembly [8] mounted, use a pencil to mark the location where it sits flush against the door side wall as shown.



9 After marking, remove header assembly [8]. Drill a 1/4" diameter hole approximately 1 3/4" deep, at the marked wall location.

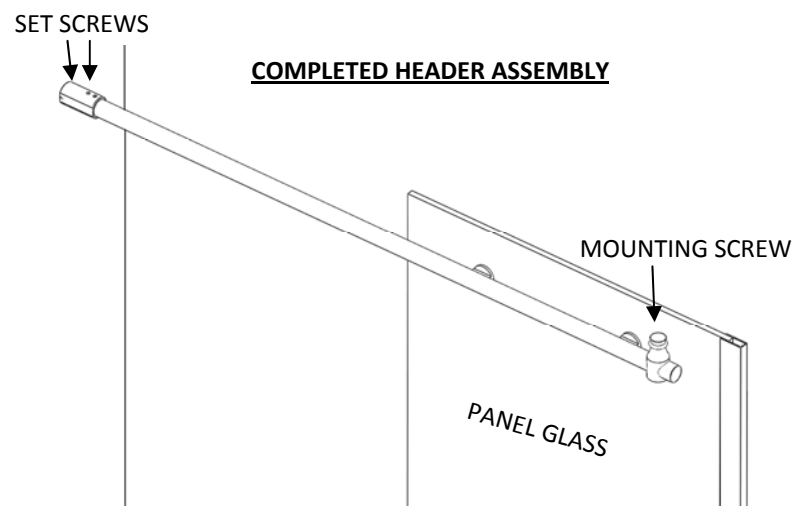


Next, put the supplied large wall plugs into the hole. Screw the inner part of the Header Bracket into the wall with the supplied socket countersunk head screw.



10 Reassemble the roller bar header assembly [8] by securing the header assembly to the wall mount header bracket and then tightening down the set screws.

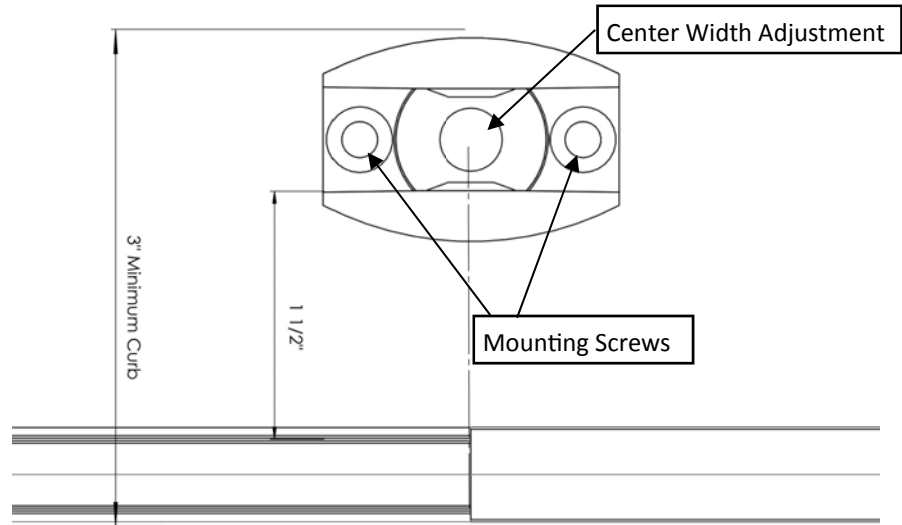
After the header assembly is secure, install the door stopper [13] onto the header assembly [8] by screwing in top mounting screw. (See Example)



**NOTE: Flat side of wall mount header bracket should face towards the door.
Do not over-tighten screws.**

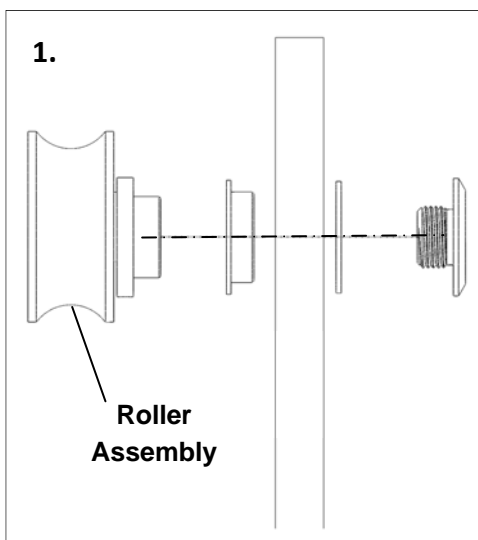
11 The Door guide [11] can now be installed along the threshold. From the edge of the panel glass that was just installed, measure 1 1/2" from the inside of the Horizontal U-channel [4]. Place door guide as shown in picture below, then mark the two holes to drill with a pencil. Insert a small amount of silicon into each drilled hole, then insert a wall anchor into each hole. (Note: Drill hole, then insert a wall anchor.) Carefully cut the heads off the wall anchors with a razor blade. Place the door guide back in correct position and secure it with #8 x 1-1/2" truss head screws.

NOTE: The center piece of the door guide adjusts the width of glass it can accept. Turn the center to match your door glass thickness.

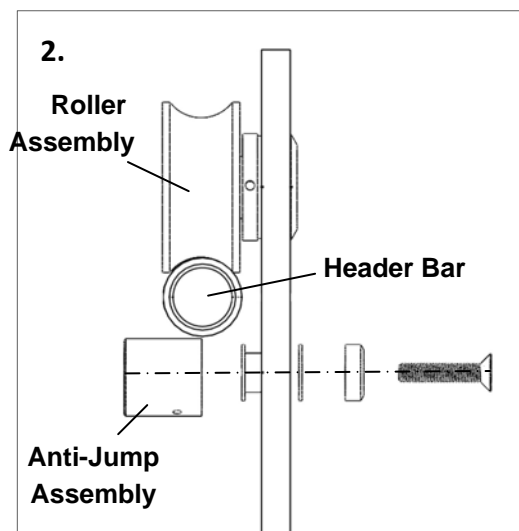


12 Disassemble the two Rollers [7] and secure to door panel glass. (See example 1).

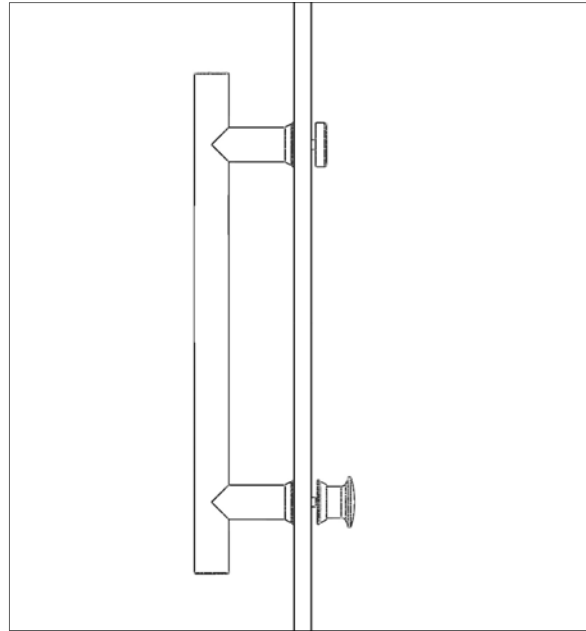
With rollers mounted onto the door panel, make sure the rollers are rotated to their lowest position so that the door panel does not hit the ground or u-channel during installation. Then carefully lift the door panel into place so the rollers rest on top of the roller bar assembly. Holding the door in place, install the anti-jump assembly below the roller bar assembly in the two holes provided to hold it in place. (See example 2).



NOTE:
Anti-jump is cammed and should be installed with a 1/16" or less between the itself and the header bar.



13 Disassemble the Pull Handle [14] and install on the Door Panel [2] . Handle should face outside of shower and the knob on the back side of the Pull Handle [14] should be on the bottom side as shown.



14 Cut Filler [5] to appropriate length to cover the remaining gap between the Panel Glass [1] and the wall. Snap Filler [5] over open top of the Horizontal U-channel [4] and place RODA Logo Decal in the top corner of the Vertical U-channel [3] .



15 Place large Vinyl Seal [15] on Door Panel [2] so that the vinyl edge sticks out towards the Fixed Glass Panel [1]. Then place smaller 3/8" Vinyl Seal [6] on the handle side of the Door Panel [2] so that the vinyl edge sticks out towards the inside of the shower. (See Example) Use silicone to hold in place.



16 The larger vinyl seal will need to be cut slightly in order for the header bar to have space to roll freely. See example below.

