

ASSEMBLY INSTRUCTIONS

EEI-6268

V1.09.07.23



Questions? Contact us!

609.256.9000 • cs@modway.com
www.modway.com

***modway**



Read through all of the instructions before starting



Care instructions are listed in the last step of this manual



Approx. 90 minutes assembly time



Make sure you have all parts and components before discarding any packing materials



2 people recommended for assembly

Only use hand tools to assemble this item. Do not use power tools. Do not tighten bolts or screws completely until all hardware is lined up and inserted into the holes.

Do not over-tighten screws and bolts to avoid stripping the hardware or cracking the item.

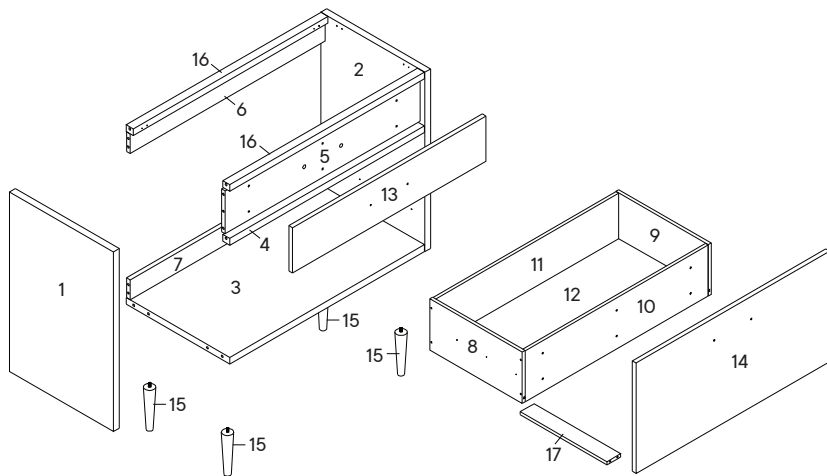
For vanity and plumbing installation, we suggest hiring a professional contractor and plumber.

Assemble your item on a flat, carpeted area, with plenty of space to work. This will prevent damage and scratches to your floors or the item while you're assembling the product.

Keep all components and packaging out of reach of children or animals to avoid risk of choking or suffocation.

Furniture components:

1	Left Side Panel	x1	10	Drawer Front	x1
2	Right Side Panel	x1	11	Drawer Back	x1
3	Bottom Panel	x1	12	Drawer Panel	x1
4	Support Panel 1	x1	13	Dummy Drawer Head	x1
5	Front Panel	x1	14	Drawer Head	x1
6	Back Panel 1	x1	15	Wooden Leg	x4
7	Back Panel 2	x1	16	Support Panel 2	x2
8	Drawer Side L	x1	17	Drawer Support	x1
9	Drawer Side R	x1			



Provided hardware:

A		Wood Dowel M8 x 25mm	x16	H		Screw 9 x 38mm	x10	O		Rubber Pad	x6
B		Wood Dowel M6 x 25mm	x6	I		Screw 4 x 14mm	x20	P		Corner Bracket	x4
C		Cam Bolt Ø6 x 24mm	x12	J		Bracket	x2	What you need:			
D		Cam Lock Ø15	x12	K		Screw 4 x 28mm	x16		Phillips Head Screwdriver		
E		Screw 4 x 12mm	x12	L		Bracket/Pvc	x4	You may also need:			
F		Bearing Runner 350mm	x1 Pair	M		Screw 4 x 22mm	x4	+ Power Drill			
G		Screw 8 x 25mm	x12	N		Handle	x2	+ Level			
								+ Silicone Adhesive or Caulk			
								+ Drywall Anchors and Screws			
								+ Other Wall-Mounting Hardware			

Wait!

Missing parts or hardware? Need assistance?
Contact us before returning your item. We're here to help!
609.256.9000 • cs@modway.com

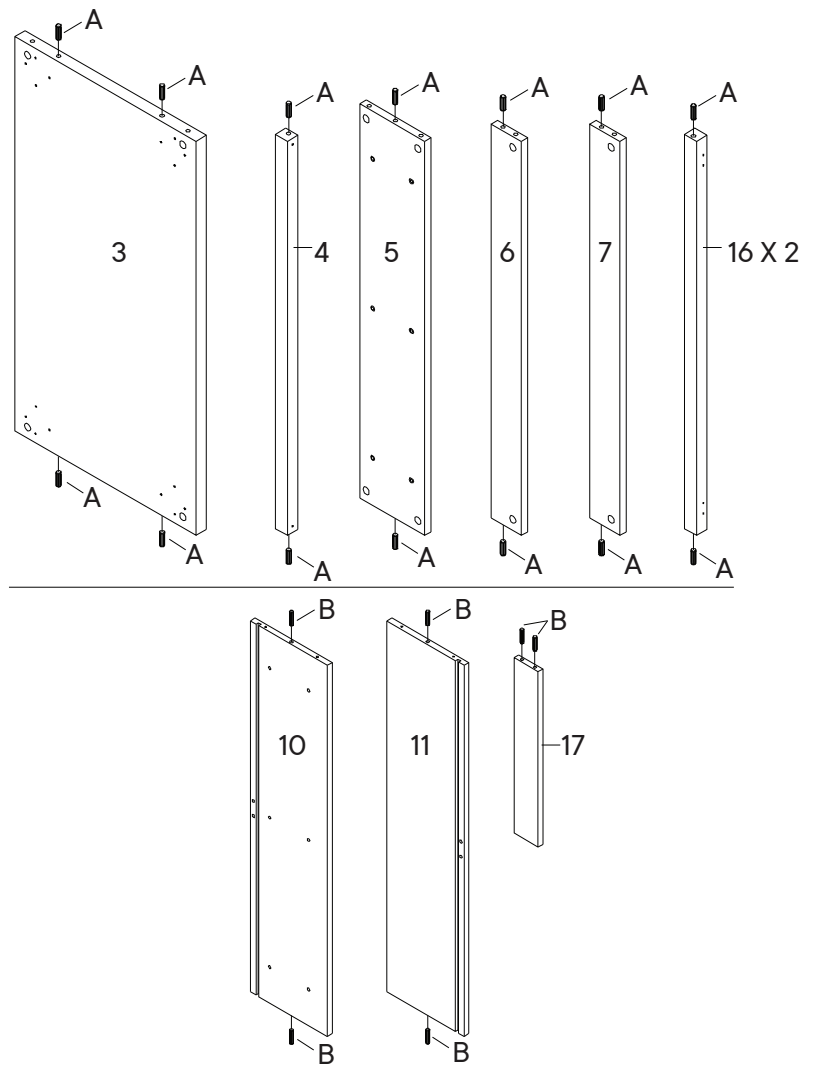
Step 1

HARDWARE

- A** Wood Dowel M8 x 25mm x16
- B** Wood Dowel M6 x 25mm x6

COMPONENTS

- 3** Bottom Panel x1
- 4** Support Panel 1 x1
- 5** Front Panel x1
- 6** Back Panel 1 x1
- 7** Back Panel 2 x1
- 10** Drawer Front x1
- 11** Drawer Back x1
- 16** Support Panel 2 x2
- 17** Drawer Support x1



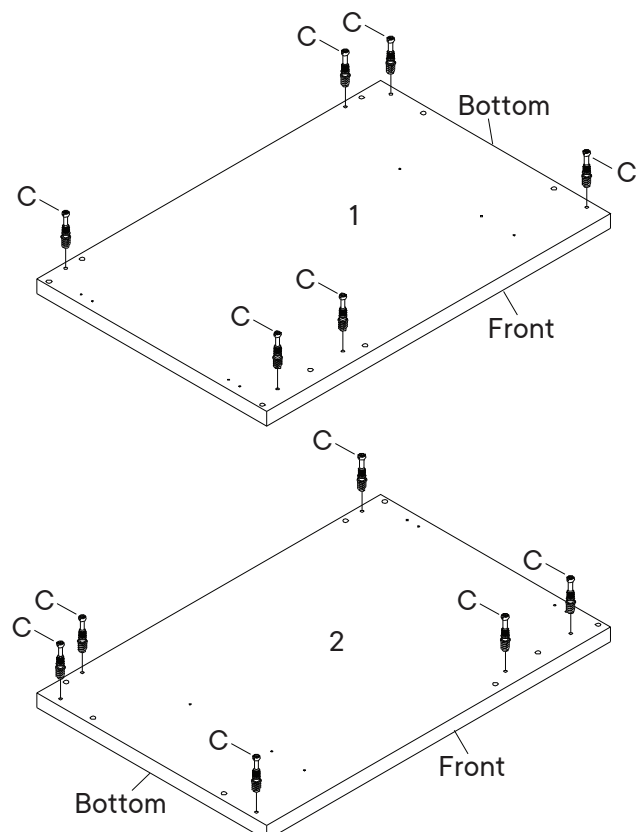
Step 2

HARDWARE

- C** Cam Bolt $\varnothing 6 \times 24\text{mm}$ x12

COMPONENTS

- 1** Left Side Panel x1
- 2** Right Side Panel x1



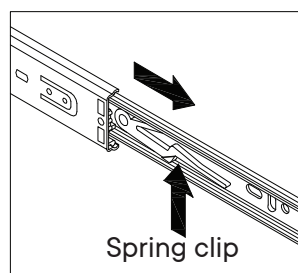
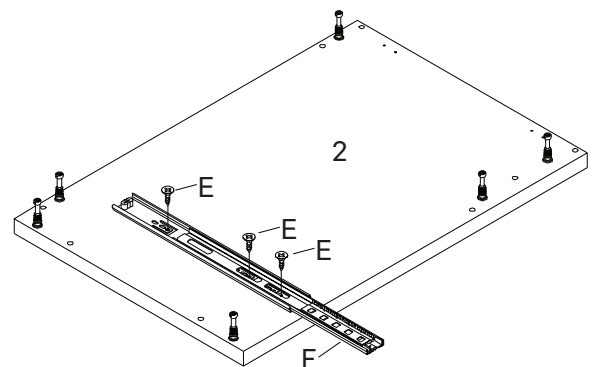
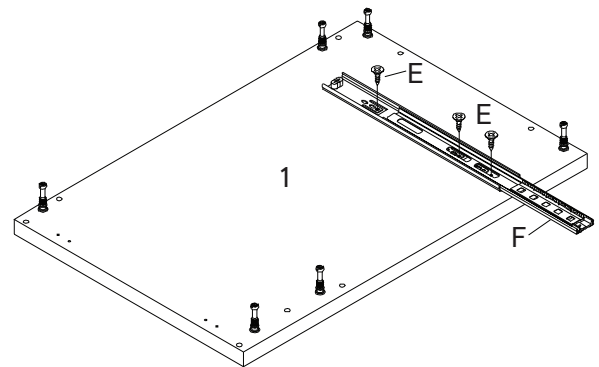
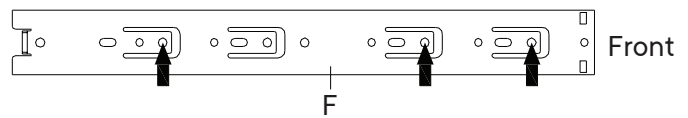
Step 3

HARDWARE

- E** Screw 4 x 12mm x6
- F** Bearing Runner 350mm x1 Pair

COMPONENTS

- 1** Left Side Panel x1
- 2** Right Side Panel x1



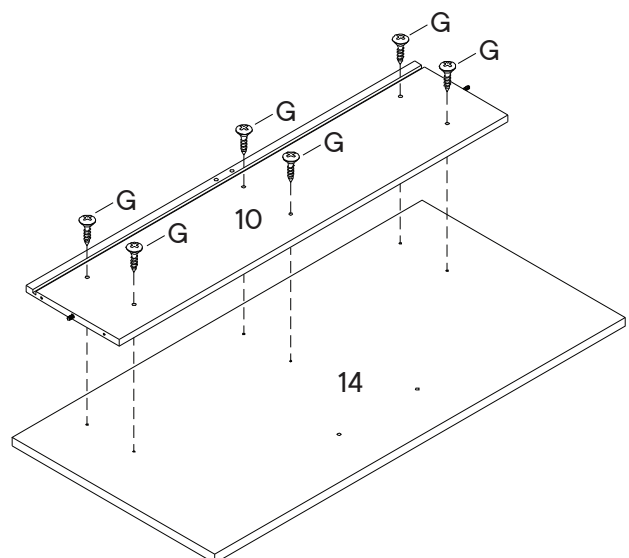
Step 4

HARDWARE

- G** Screw 8 x 25mm x6

COMPONENTS

- 10** Drawer Front x1
- 14** Drawer Head x1



Step 5

HARDWARE

H Screw 9 x 38mm x4

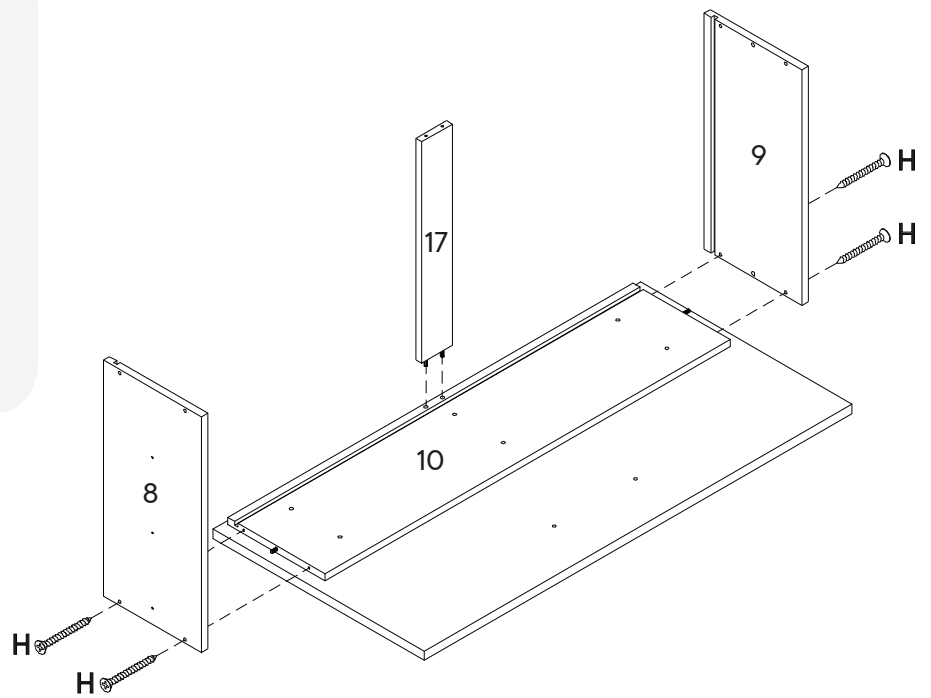
COMPONENTS

8 Drawer Side L x1

9 Drawer Side R x1

10 Drawer Front x1

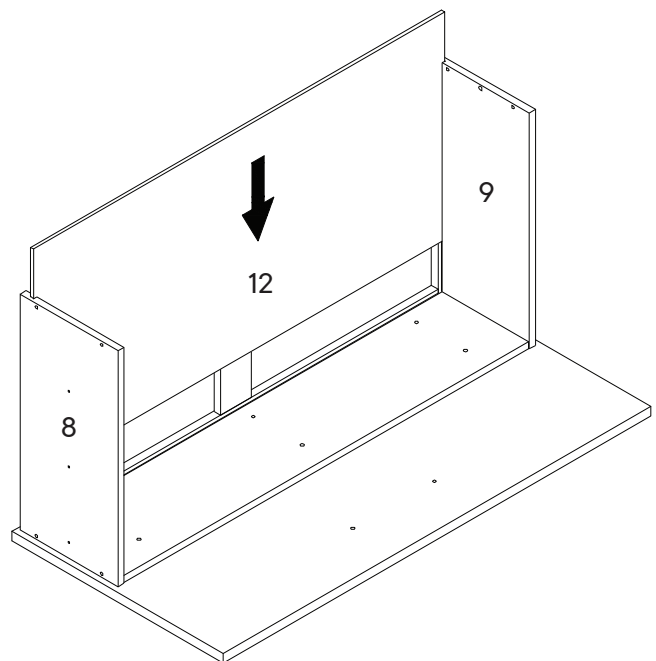
17 Drawer Support x1



Step 6

COMPONENTS

12 Drawer Panel x1



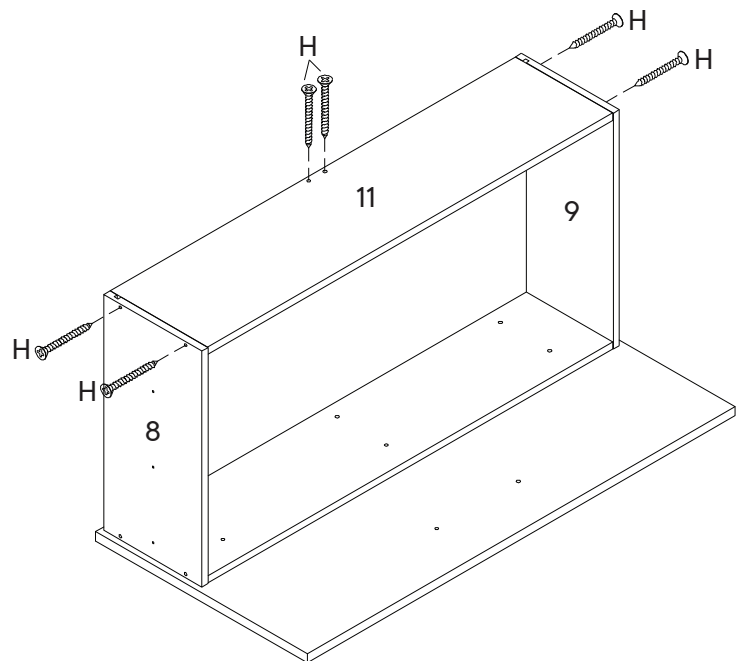
Step 7

HARDWARE

H Screw 9 x 38mm x6

COMPONENTS

11 Drawer Back x1



Step 8

HARDWARE

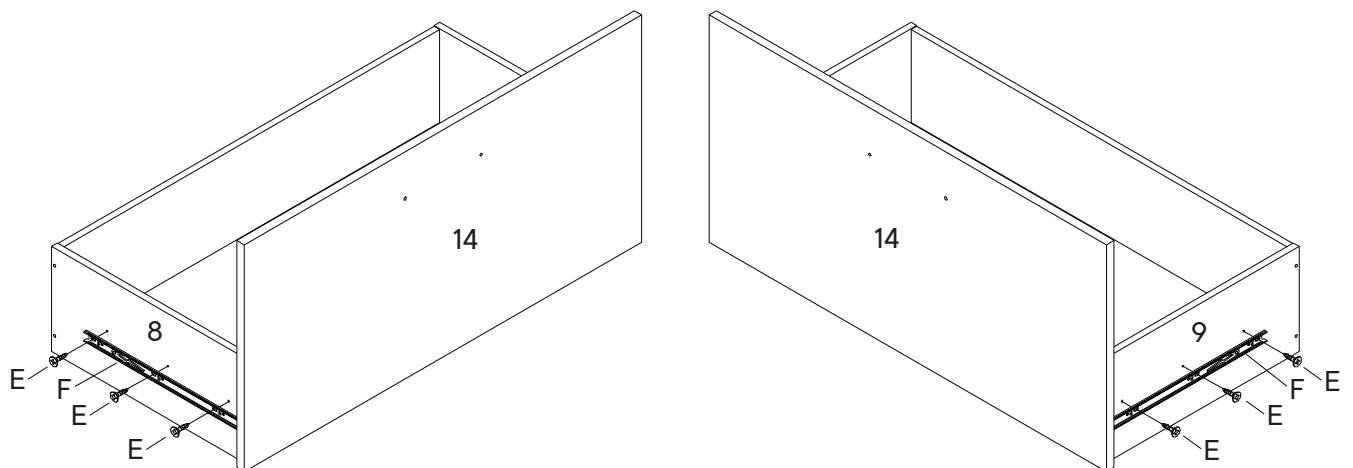
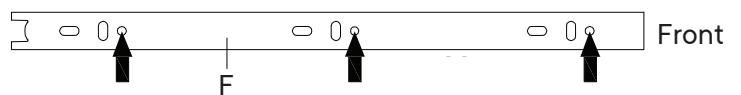
E Screw 4 x 12mm x6

F Bearing Runner 350mm x1 Pair

COMPONENTS

8 Drawer Side L x1

9 Drawer Side R x1



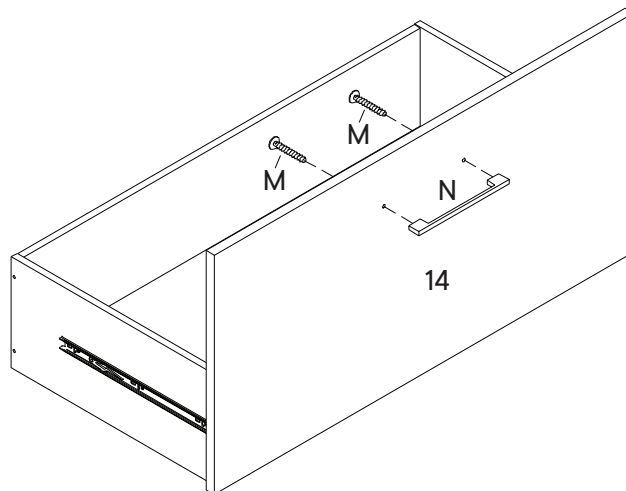
Step 9

HARDWARE

- M** Screw 4 x 22mm x2
- N** Handle x1

COMPONENTS

- 14** Drawer Head x1



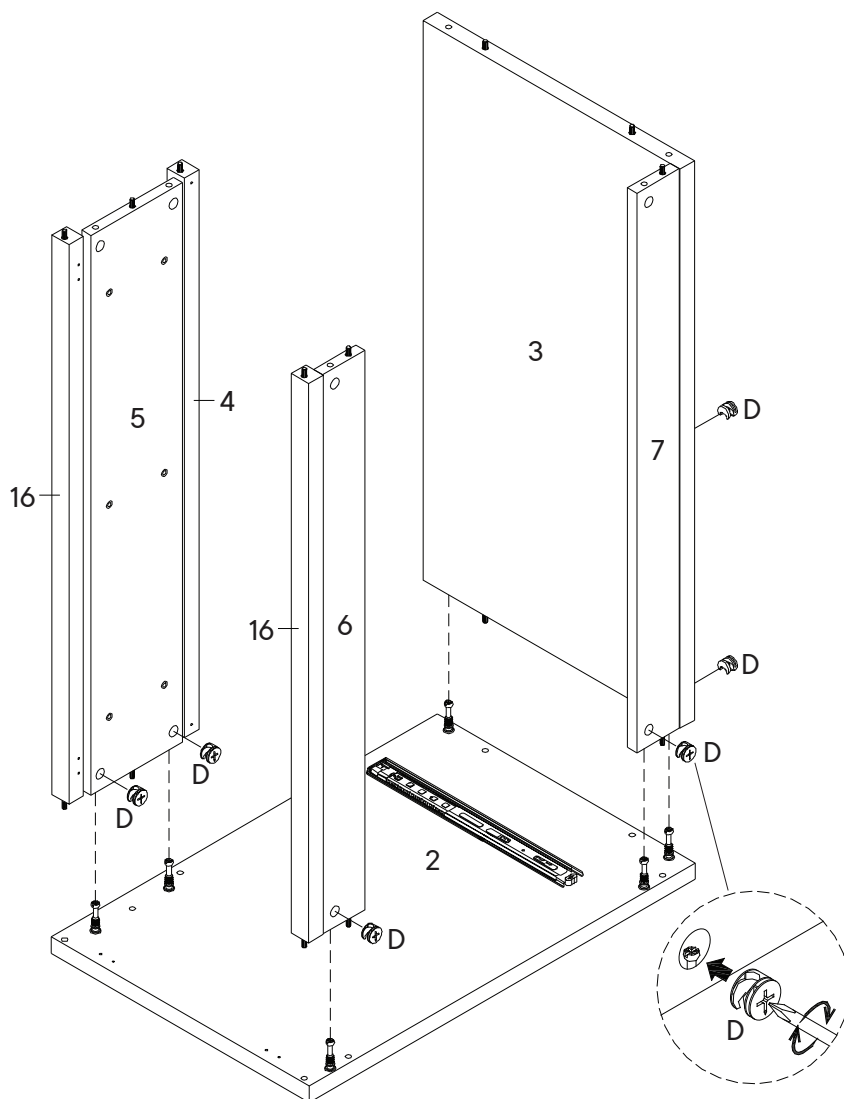
Step 10

HARDWARE

- D** Cam Lock Ø15 x6

COMPONENTS

- 2** Right Side Panel x1
- 3** Bottom Panel x1
- 4** Support Panel 1 x1
- 5** Front Panel x1
- 6** Back Panel 1 x1
- 7** Back Panel 2 x1
- 16** Support Panel 2 x2



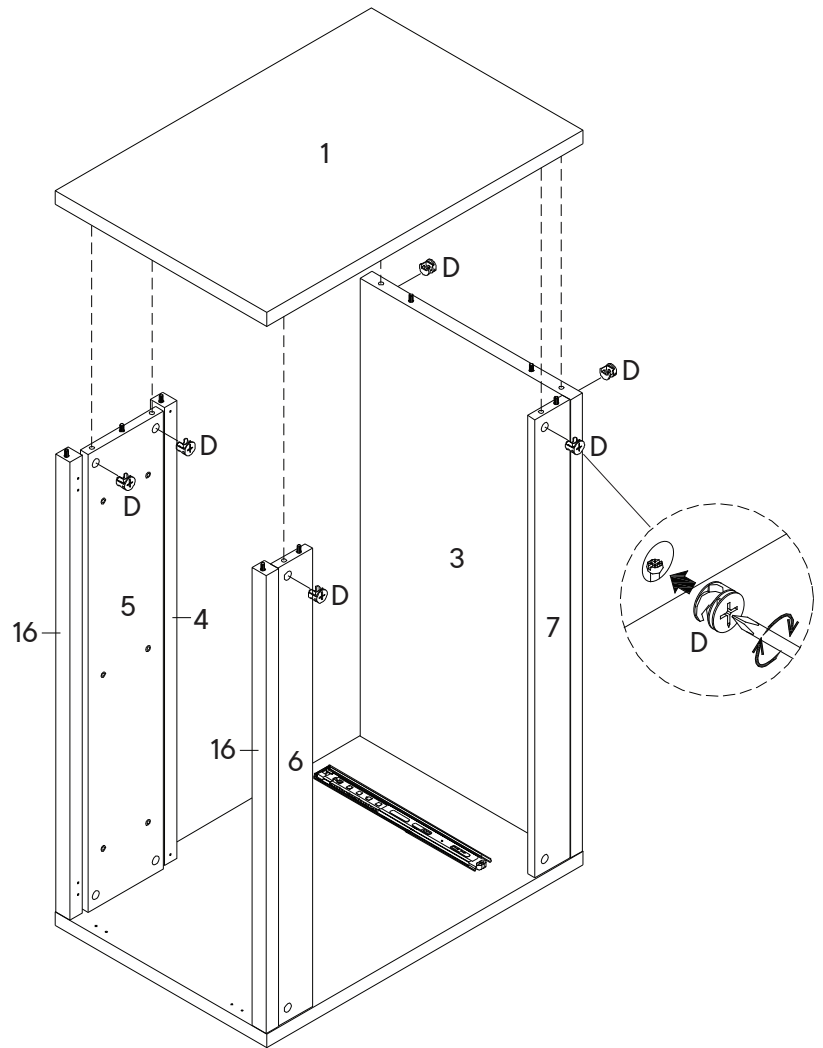
Step 11

HARDWARE

D Cam Lock Ø15 x6

COMPONENTS

1 Left Side Panel x1
3 Bottom Panel x1
4 Support Panel 1 x1
5 Front Panel x1
6 Back Panel 1 x1
7 Back Panel 2 x1
16 Support Panel 2 x2



Step 12

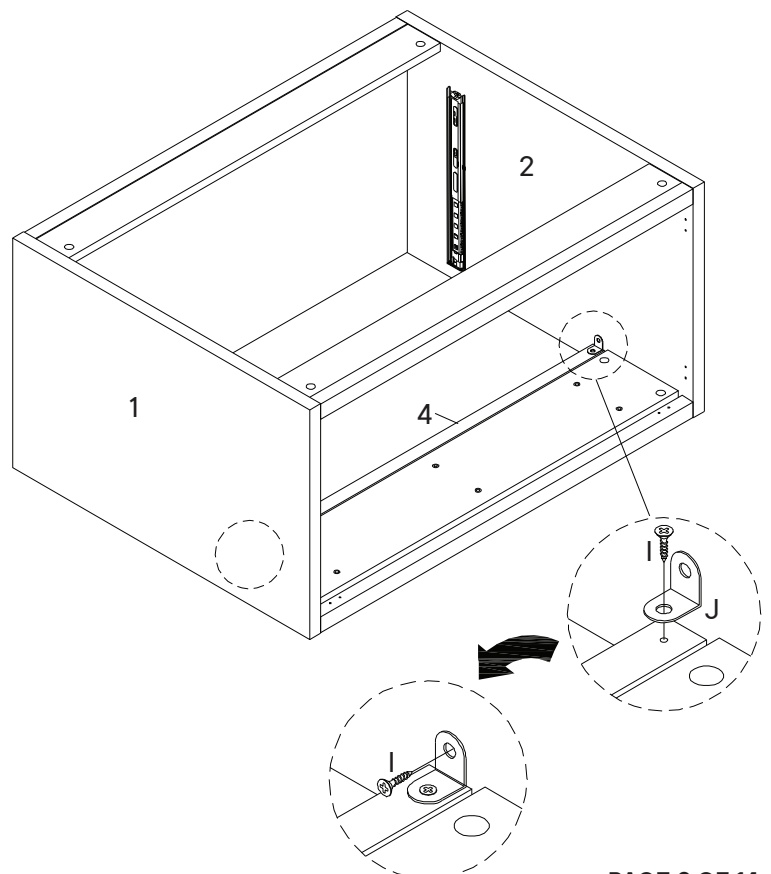
HARDWARE

I Screw 4 x 14mm x4

J Bracket x2

COMPONENTS

1 Left Side Panel x1
2 Right Side Panel x1
4 Support Panel 1 x1



Step 13

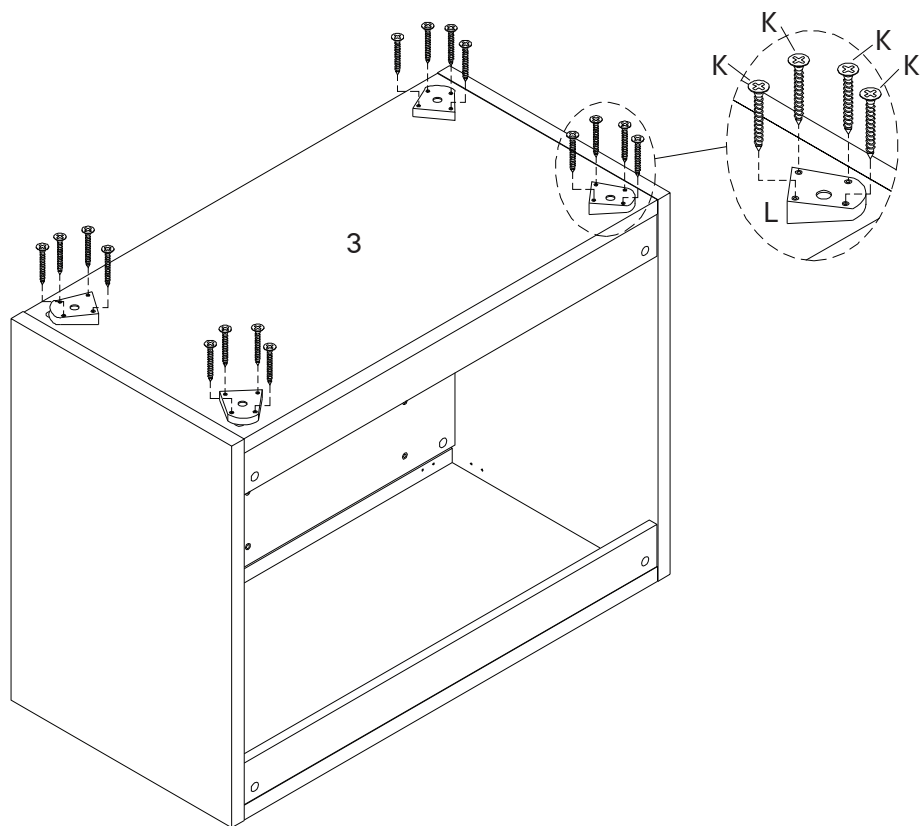
HARDWARE

K Screw 4 x 28mm x16

L Bracket/Pvc x4

COMPONENTS

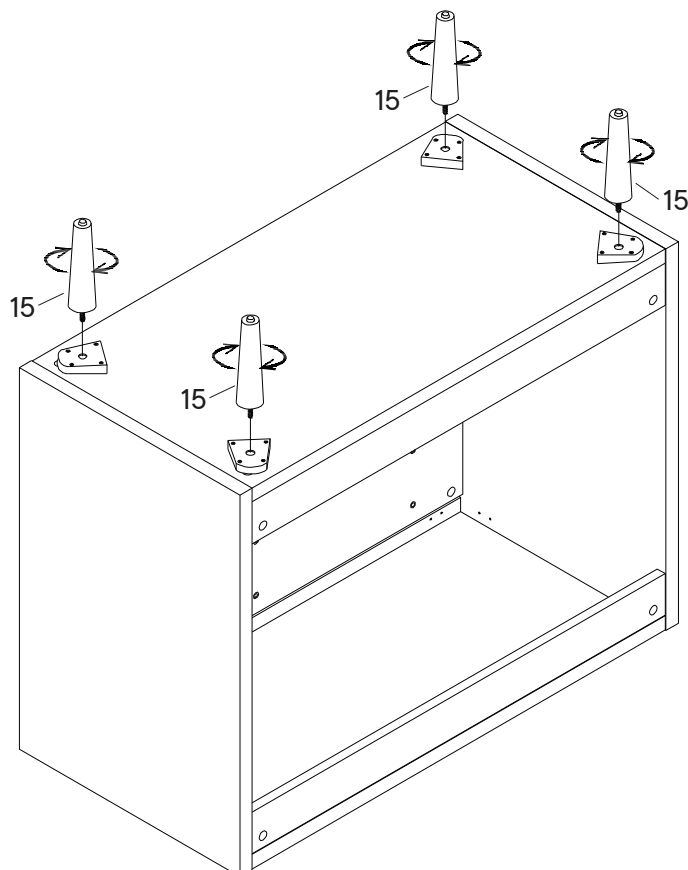
3 Bottom Panel x1



Step 14

COMPONENTS

15 Wooden Leg x4



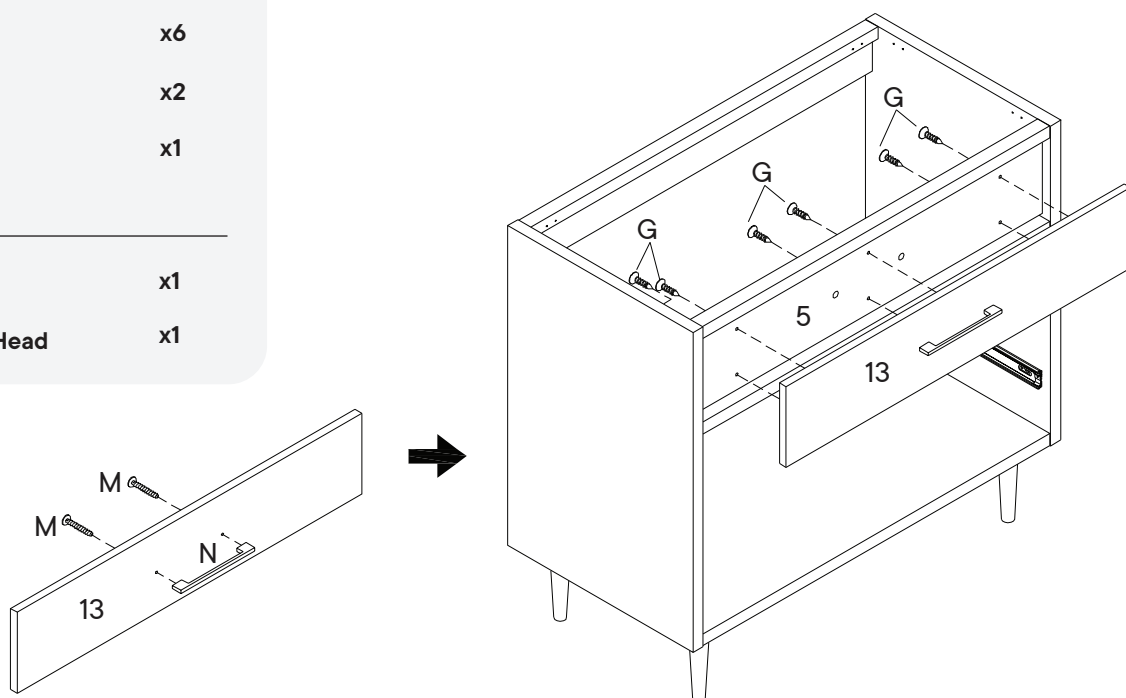
Step 15

HARDWARE

G	Screw 8 x 25mm	x6
M	Screw 4 x 22mm	x2
N	Handle	x1

COMPONENTS

5	Front Panel	x1
13	Dummy Drawer Head	x1



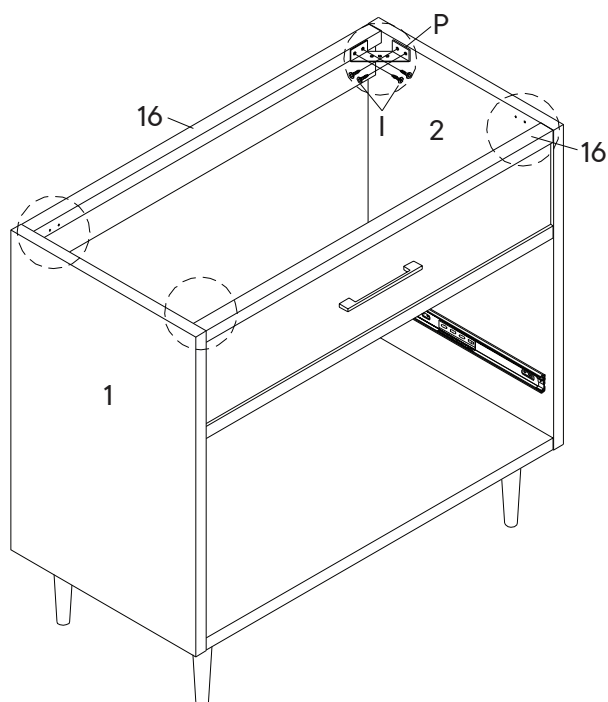
Step 16

HARDWARE

I	Screw 4 x 14mm	x16
P	Corner Bracket	x4

COMPONENTS

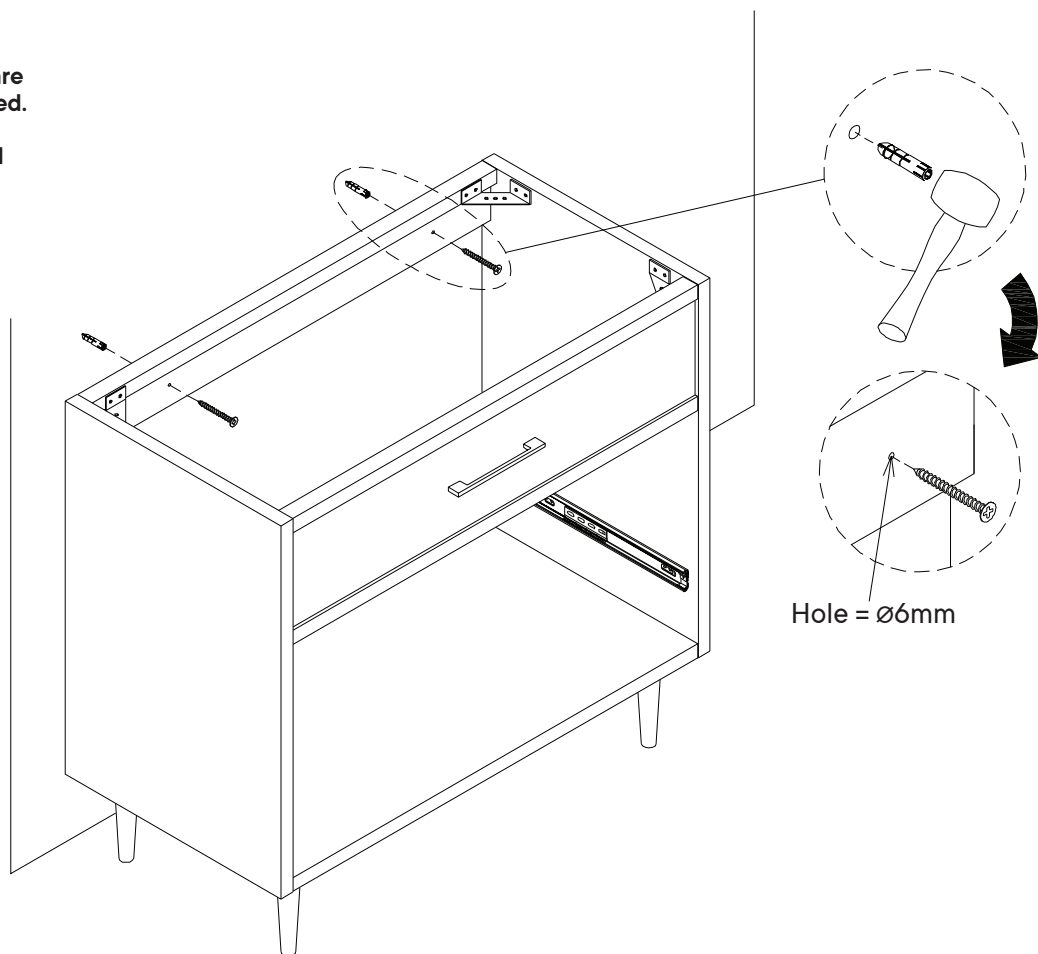
1	Left Side Panel	x1
2	Right Side Panel	x1
16	Support Panel 2	x2



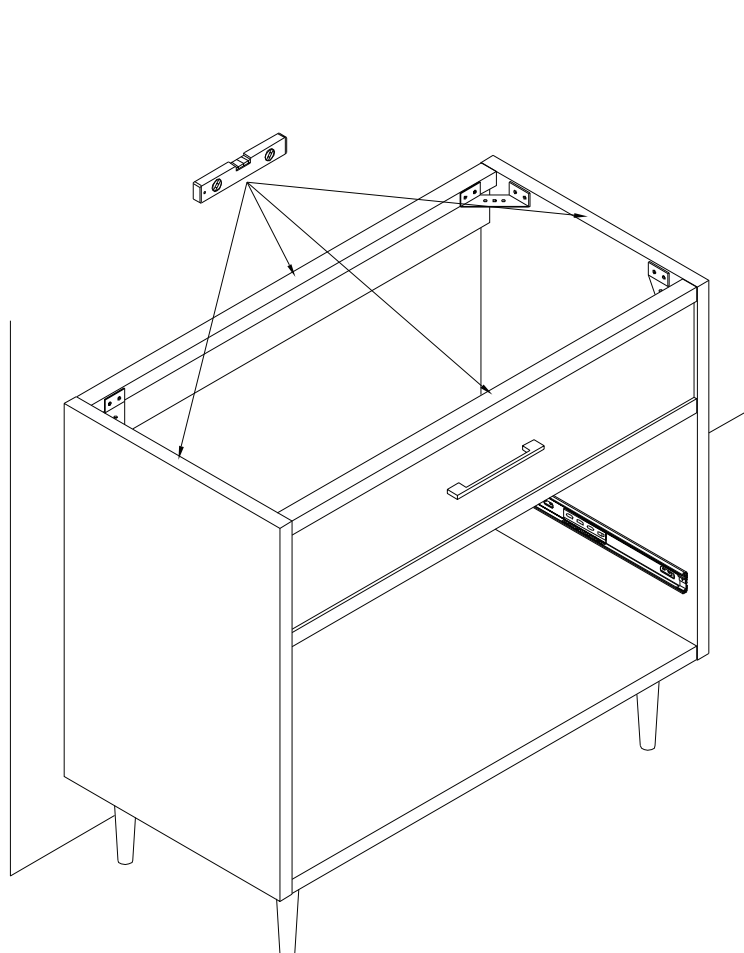
Step 17

NOTE: Mounting hardware and tools are not included.

We suggest professional installation.



Step 18



Step 19

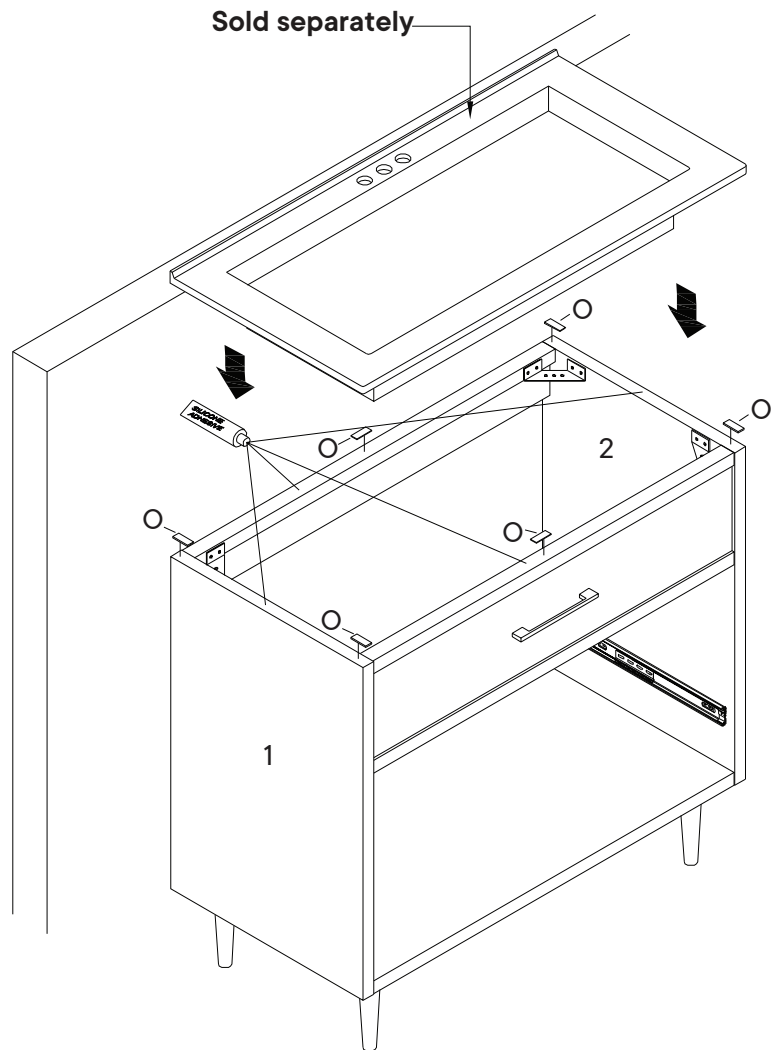
HARDWARE

○ Rubber Pad x6

COMPONENTS

① Left Side Panel x1

② Right Side Panel x1

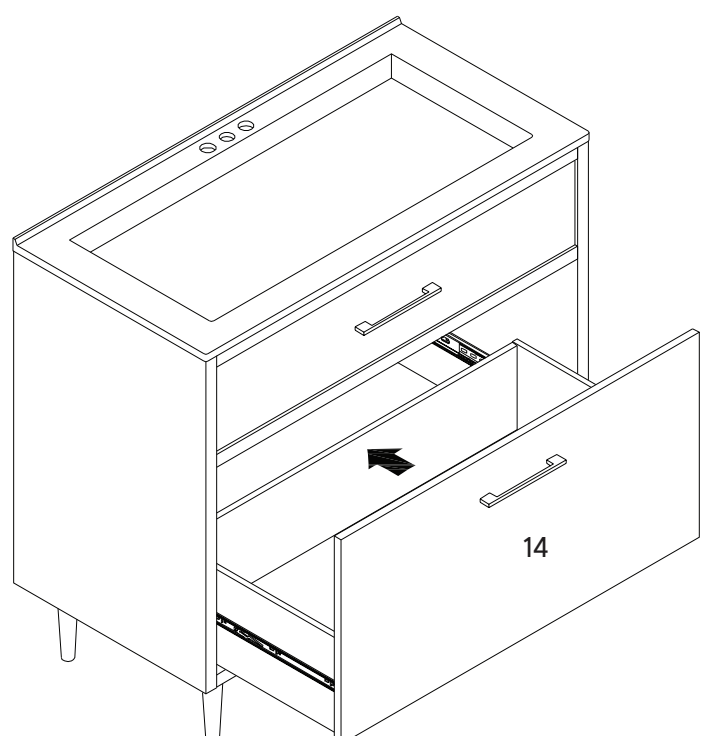
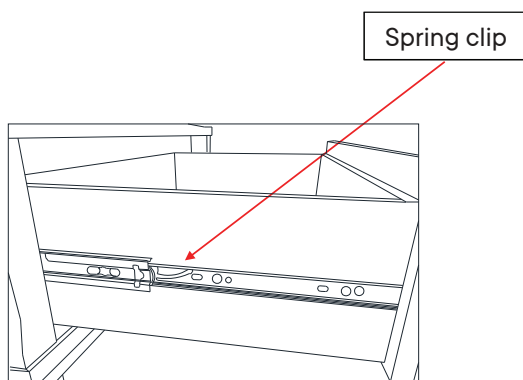


Step 20

The drawer(s) can be removed, if ever required.

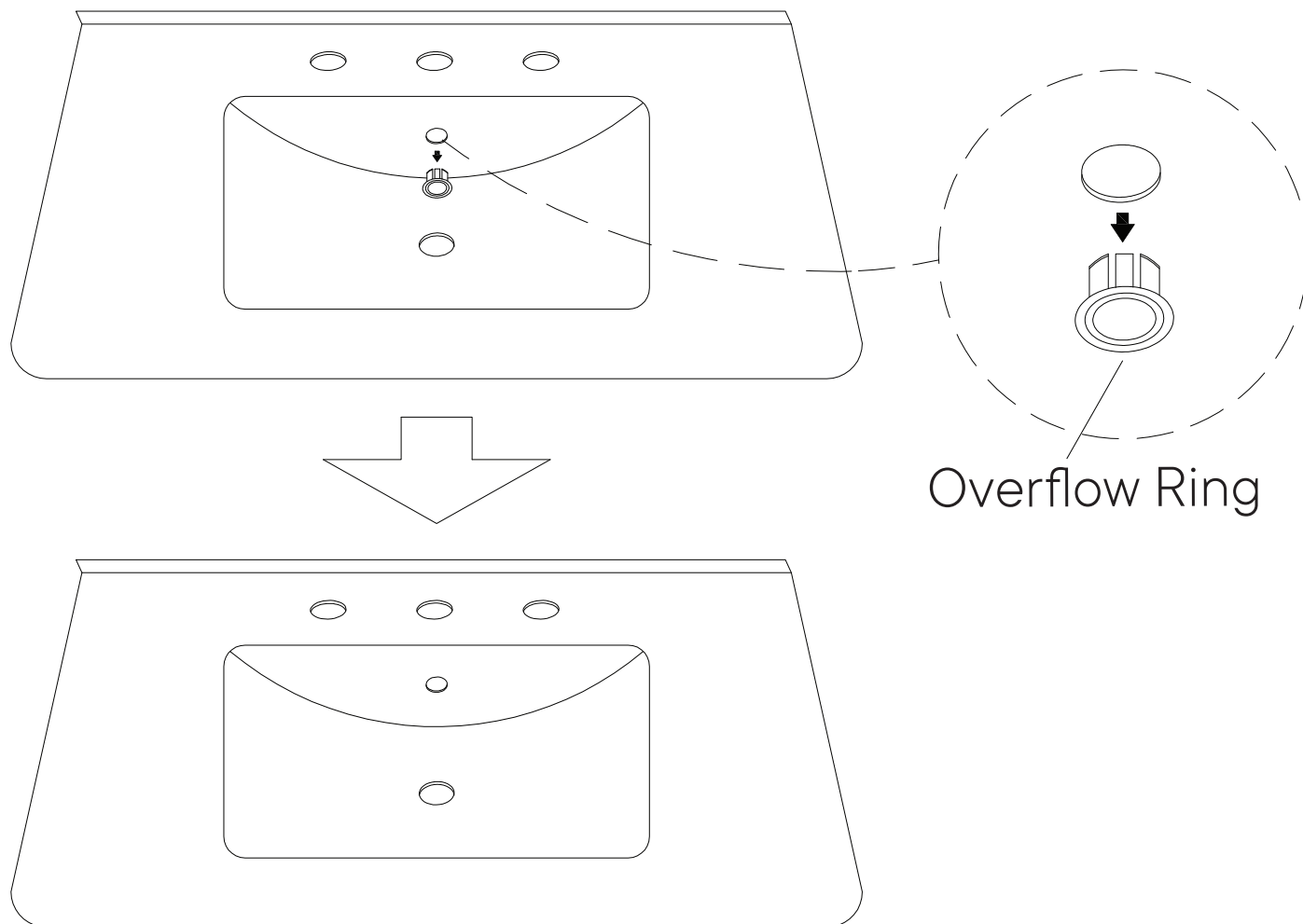
Locate the spring clip on both sides on the drawer glide. At the same time, press the clips and pull the drawer out.

To reinsert, simply align the 2 sides of the drawer glides and slide in until fully inserted.



A quick note...

Your sink basin comes complete with a silver overflow ring.
If you'd like to remove this overflow ring, you can do so by hand.



Wait!

Missing parts or hardware? Need assistance?

Contact us before returning your item. We're here to help!

609.256.9000 • cs@modway.com

Great job!

Cabinet assembly is complete.

♥ CARING FOR YOUR ITEM

Indoor use only.

Not contract grade.

Clean using a non-abrasive cloth and a mild cleaner.

Never use harsh chemicals, as they could damage the finish or integrity of the item.

CONNECT WITH US!   

Tag us [@modway_furniture](#) and [#modway](#) for a chance to be featured.

