

ALINA-W1MRL2028/2432/2436/2836/4024/4836/6028
NURA-W2MRL2028/2432/2436/2836/4024/4836/6028

INSTALLATION

LED BATHROOM MIRROR Lighting and Defogger

IMPORTANT SAFETY INSTRUCTIONS

When using an electrical furnishing, basic precautions should always be followed, including the following:



DANGER

READ AND FOLLOW ALL INSTRUCTIONS BEFORE USING THIS MIRROR.



WARNING

To reduce the risk of burns, fire, electric shock or injury to persons. Use this furnishing only for its intended use as described in these instructions. Do not use attachments not recommended by the manufacturer. Never drop or insert any object into any opening. Do not use outdoors.



WARNING

Risk of electric shock. Connect this furnishing to a properly grounded circuit only. See Grounding instructions.

GROUNDING INSTRUCTIONS:

This product must be connected to a grounded metal, permanent wiring system, or an equipment-grounding conductor must be run with the circuit conductors and connected to the equipment-grounding terminal or lead on the product.

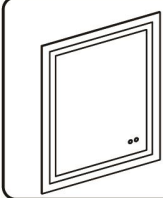


WARNING

An Electrical option cabinet must be wired to a 20 Amp GFI (Ground Fault Interrupter) protected circuit when used in bathrooms and all other locations required by the National Electric Code.

NOTE: To ensure the normal use of product, it is required to set out wires as per the regulations of IEE. The product is only applicable to the indoor installation. The installation must be executed by a professional electrician, wrong installation may lead to product damage and personal injury.

PLEASE SAVE THESE INSTRUCTIONS FOR FUTURE REFERENCE

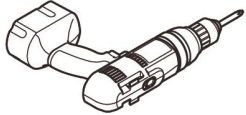


ALINA-W1MRL2028/2432/2436/2836/4024/4836/6028
NURA-W2MRL2028/2432/2436/2836/4024/4836/6028

INSTALLATION

LED BATHROOM MIRROR Lighting and Defogger

TOOLS REQUIRED FOR ASSEMBLY



Electrical Drill



1/8" Drill Bit



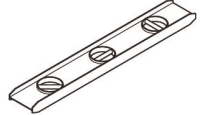
Pencil



Phillips
Screwdriver

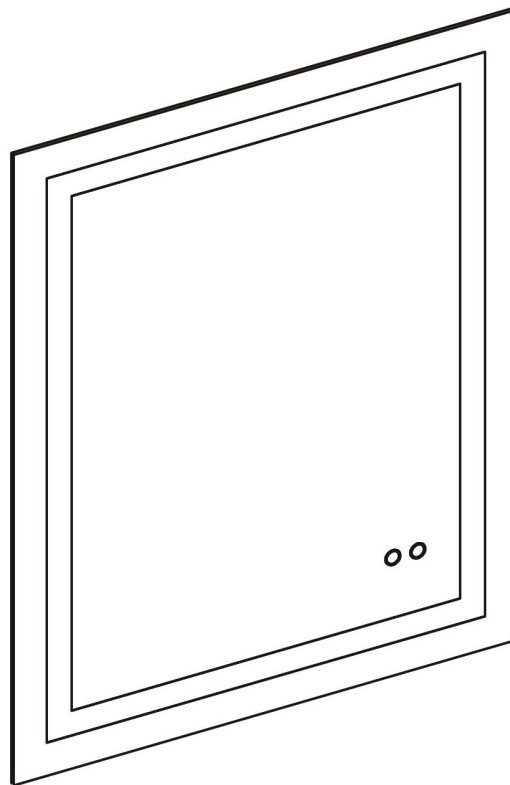


Tape Measure



Level

PARTS INCLUDED



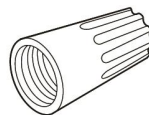
Mirror



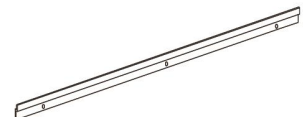
SCREW



WALL PLUG



WIRE CONNECTOR

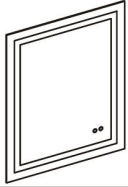


HANGING BAR



NOTE: Determine overall mirror dimensions before proceeding to installation.

*All dimensions & specifications are approximate and subject to change without notice.



ALINA-W1MRL2028/2432/2436/2836/4024/4836/6028
 NURA-W2MRL2028/2432/2436/2836/4024/4836/6028

INSTALLATION

LED BATHROOM MIRROR Lighting and Defogger

ELECTRIC CONNECTIONS

ALL WIRING SHOULD BE DONE BY A QUALIFIED LICENCED ELECTRICIAN



WARNING: Shut off power before wiring the mirror.



WARNING: An Electrical option mirror must be wired to a 20 Amp GFI (Ground Fault Interrupter) protected circuit when used in bathrooms and all other locations required by the National Electric Code.

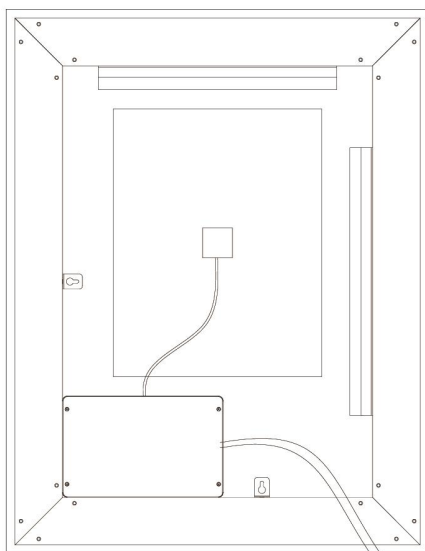


WARNING: This mirror must be connected to a grounded, metal permanent wiring system or an equipment-grounding conductor must be run with the circuit conductors and connected to the equipment grounding terminal or lead on the mirror.

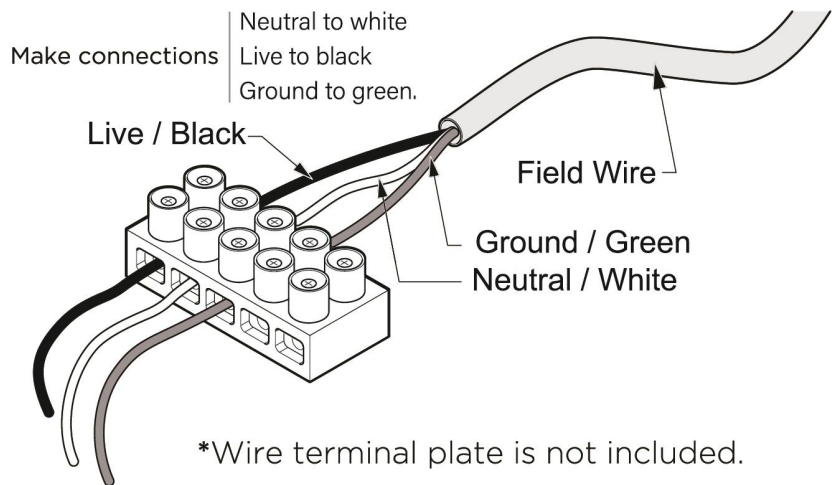


CAUTION: Requires 120 VAC 20 Amp GFI protected circuit.

vertical hanging



horizontal hanging



Electric wiring: Be sure to provide enough wire to make the proper and safe connection to the Field/Power.

MIRROR FEATURES

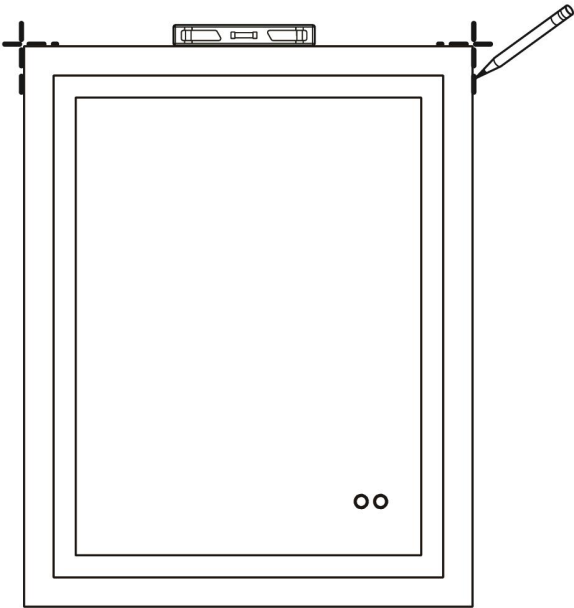
- 5mm copper free silver mirror
- High output LED lighting:
CRI 90+, 2700-6400K CCT, IP44
- Color Temperature changing touch switch for surface LED
- Vertical and horizontal mount options
- Defogger

INSTALLATION INSTRUCTIONS

1

PLACEMENT

Select the desired position of the mirror.
Level and mark the location.
(vertical and horizontal mounting options)

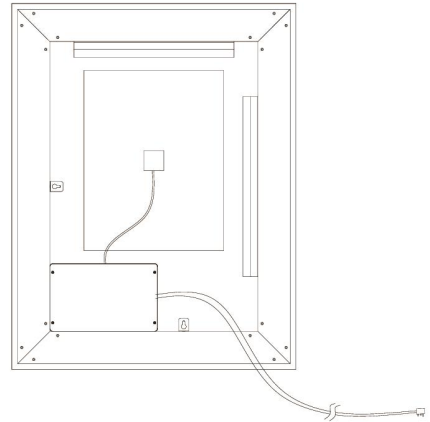


2

SUPPORT LOCATION

Measure the hanging bar holes and mark the drilling locations ensure marking are leveled.

A



B

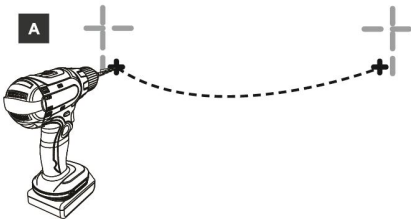


3

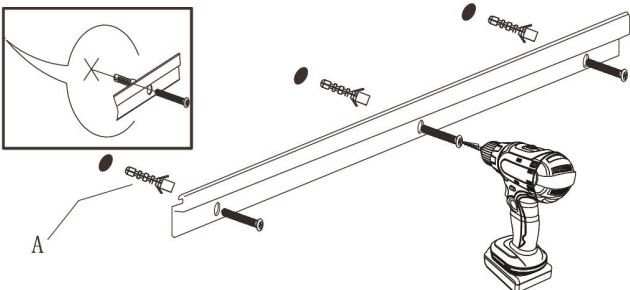
INSTALL SCREWS

Using a drill, make holes on solid wall, and fill with supplied plugs and screws into hanging bar holes tightly.

A



B

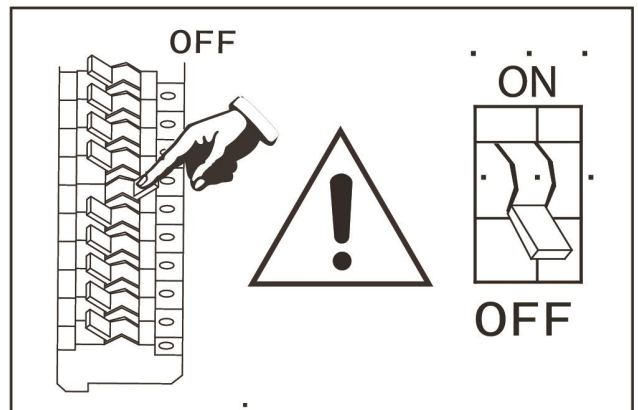


4

POWER OFF

Please turn off all the power before the mirror wires connection.

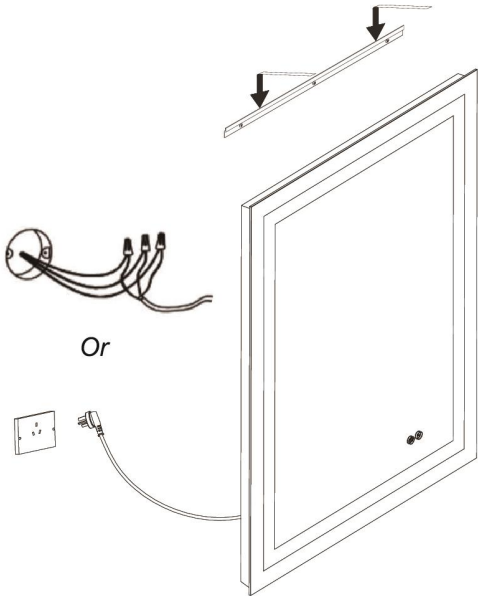
Power Off



INSTALLATION INSTRUCTIONS

5 CONNECTION

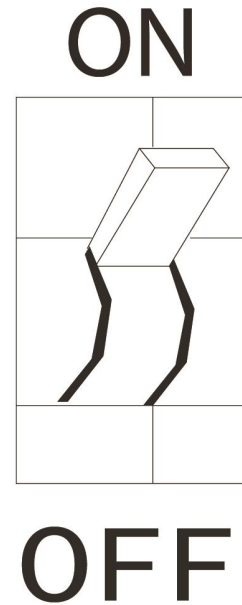
Plug into the socket, or cut off the plug then connect wires together and pushing the power supply wires into the junction box.
(plug or hardwire power connection options)



Warning: when use plug connection, please mind the space gap between wall and mirror frame

6

Turn on the power
Hang up the mirror stable then turn on the power.



FINAL ASSEMBLY

How to use Defogger Switch and Dimmer Switch:

Left touch Sensor

 ON/OFF Anti-fog (The defogger power will automatically turn off after an hour)

Right Touch Sensor

 ON/OFF Lighting
tap-tap color change, brightness control by holding



“Switch” sign

OPERATION

1. Touch the sensor button to turn ON the light. Tap-tap to change the light temperature from 3000K, 4000K to 6000K.
2. Touch and hold the Light on sensor button to dim the light. Release the button when the light reaches the desired brightness setting.
3. Touch the sensor button to turn OFF the light.
The mirrors are equipped with a memory feature to preserve the previous brightness setting.

***Suggestion:** Turn off the mirror power supply if you don't use it for a long time.

WARNINGS:

- 1. Please do not use if you found the mirror have been broken.*
- 2. Never put any sharp or heavy material on the mirror surface, otherwise the glass mirror will be broken and body injury accidents may occur .*
- 3. Turn off the power switch in storm lightning weather to avoid electric parts damage.*

Use and Maintenance:**CAUTION:**

Mirror and mirror's body are constructed of mirrored glass and aluminum. Use a damp cloth to clean your mirrors. Do not use any abrasive material as it may damage the surface and finish of the mirror. A mild detergent may be used to clean the surfaces of the mirror. Spray the cloth, not the mirrors or surrounding surfaces.