



see what Delta can do™

# HAND SHOWER

## ■ 6-Spray Setting Hand Shower

### FEATURES:

- Touch-Clean® Nozzles
- ProClean™ spray setting

### STANDARD SPECIFICATIONS:

- Maximum 1.75 gpm @ 80 psi, 6.6 L/min @ 550 kPa (75720▲)
- Maximum 2.5 gpm @ 80 psi, 9.5 L/min @ 550 kPa (75720D▲)
- Hand shower with 6 spray settings; pause is a non positive shut-off
- Change spray settings with easy turn dial
- Adjustable shower arm mounting for hands-free showering
- 72" (1829 mm) metal hose (Chrome & SN finishes only)
- 72" (1829 mm) UltraFlex® hose (BL finish only)
- Fits standard 1/2"-14 NPT pipe fitting

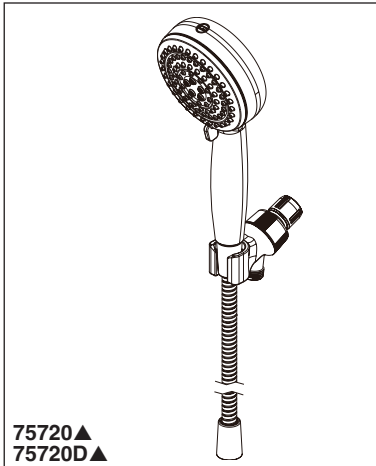
### WARRANTY

- Parts and Finish – Lifetime limited warranty; or for commercial purchasers, 10 years for multi-family residential (apartments and condominiums) and 5 years for all other commercial uses, in each case from the date of purchase.
- Electronic Parts and Batteries (if applicable) – 5 years from the date of purchase; or for commercial purchasers, 1 year from the date of purchase. No warranty is provided on batteries.



### COMPLIES WITH:

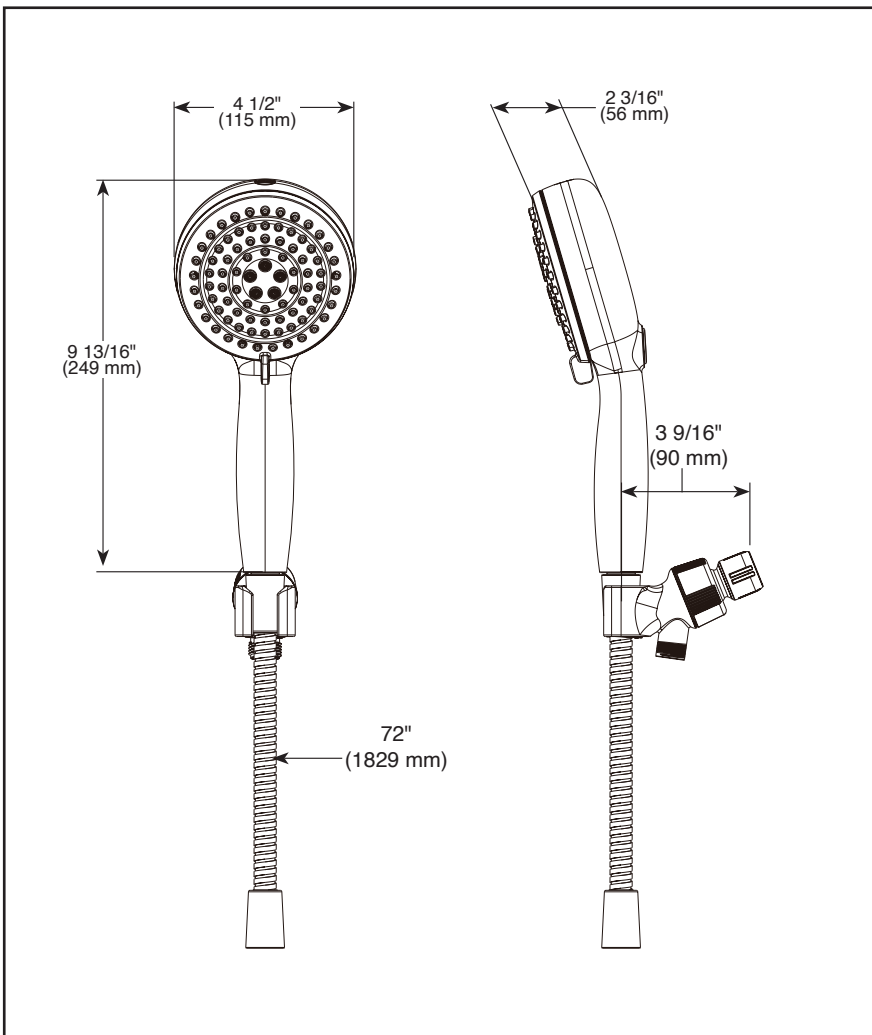
- ASME A112.18.1 / CSA B125.1
- EPA WaterSense® - Applies to 75720▲ only



75720▲  
75720D▲

Submitted Model No.: \_\_\_\_\_

Specific Features: \_\_\_\_\_



▲ Designate proper finish suffix

Delta reserves the right (1) to make changes in specifications and materials, and (2) to change or discontinue models, both without notice or obligation. Dimensions are for reference only. See current full-line price book or [www.deltafaucet.com](http://www.deltafaucet.com) for finish options and product availability.

DSP-B-75720 Rev. A

### Delta Faucet Company

55 E. 111th Street, Indianapolis, Indiana 46280  
350 South Edgeware Road, St. Thomas, Ontario Canada N5P 4L1  
© 2022 Delta Faucet Company