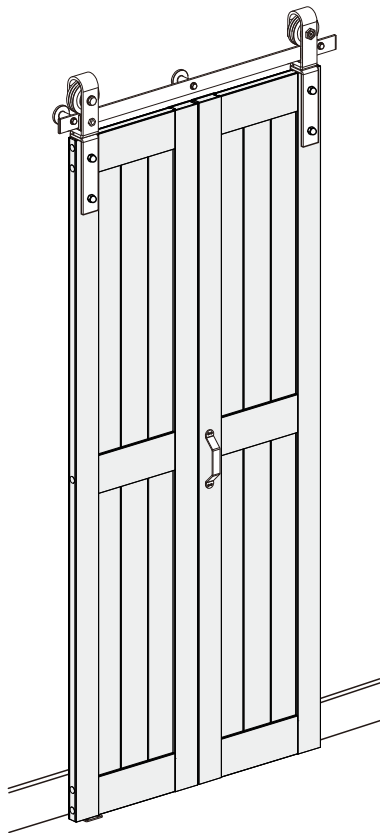


# Installation Manual

Any question please contact us  
[yoursupport@163.com](mailto:yoursupport@163.com)

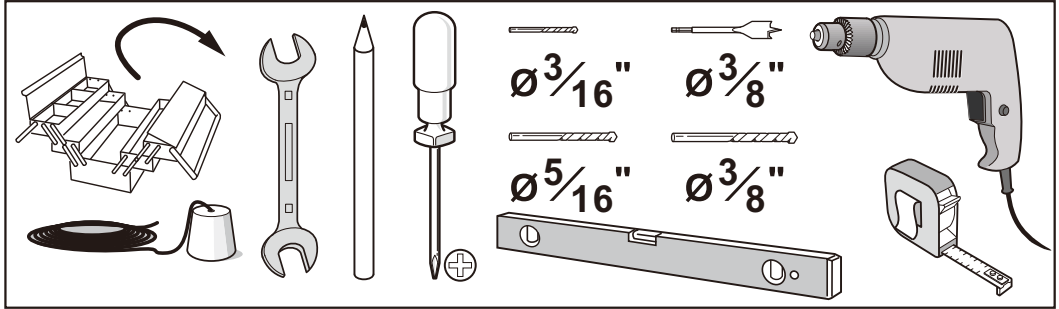


**NOTICE** Please retain these instructions for future reference.

- Do not stand on or use any part of this item as a step ladder.
- Firmly secure all bolts, screws and knobs before use.
- Reconfirm that all bolts, screws and knobs are secure every 90 days.
- Fasten screws loosely during initial assembly. Do not firmly tighten the screws until the item is completely assembled.
- Do not use or store this item in the proximity of open flame or combustible chemicals.
- Be aware that some parts are heavy and have sharp edges.
- If any parts are missing, broken, damaged, or worn, please contact us for assistance.
- Do not use this item in a way inconsistent with the manufacturer's instructions as this could void the product warranty.

# Pre-installation

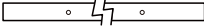




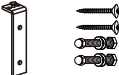

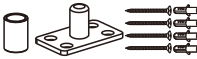
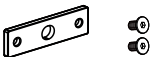
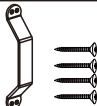

## TOOLS REQUIRED



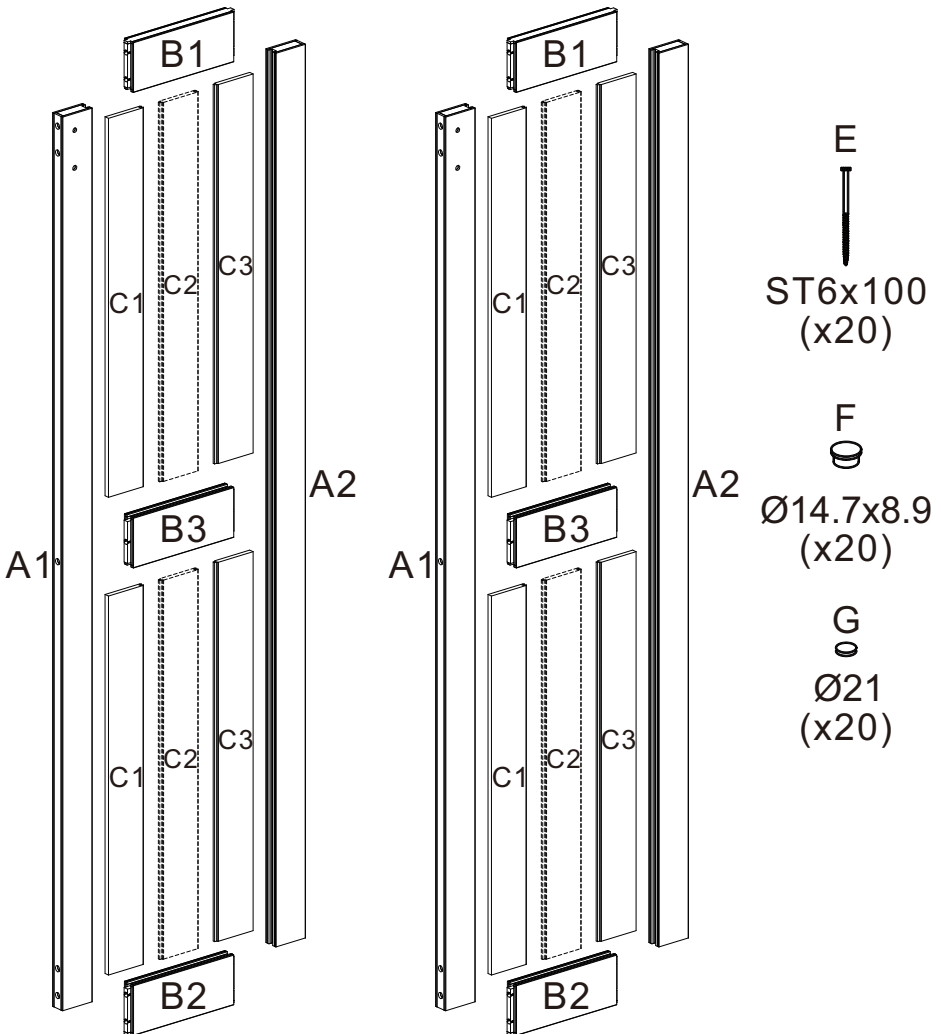
## HARDWARE INCLUDED

<p><b>1</b></p>	<p><b>2</b></p> <p>Ø10</p> <p>ST8x110</p>	<p><b>3</b></p>
<p><b>4</b></p> <p>M5x26</p>	<p><b>5</b></p> <p>M5x6</p>	<p><b>6</b></p> <p>M10x50</p> <p>ST4.8x25</p>
<p><b>7</b></p> <p>ST6x25</p>	<p><b>8</b></p> <p>Ø8</p> <p>ST4.2x32</p>	<p><b>9</b></p> <p>M6x5</p>
<p><b>10</b></p> <p>ST4.2x25</p>	<p><b>11</b></p>	<p><b>12</b></p> <p>2MM 2.5MM 3MM 4MM</p>

# PARTS LIST

1.Track Size 	28"	34"	36"	40"	46"	52" (2 doors)	52" (4 doors)
2.Spacer 	3	3	3	3	3	4	4
3.Movable Pulley and bolts 	1	1	1	1	1	1	2
4.Fixed Pulley and bolts 	1	1	1	1	1	1	2
5.Fixator 	1	1	1	1	1	1	2
6.Pulley base 	2	2	2	2	2	2	4
7.Hinges 	3	3	3	3	3	3	6
8.Floor guide 	1	1	1	1	1	1	2
9.Track connector 	1	1	1	1	1	1	0
10.Handle 	1	1	1	1	1	1	2
11.Seal 	1	1	1	1	1	1	1

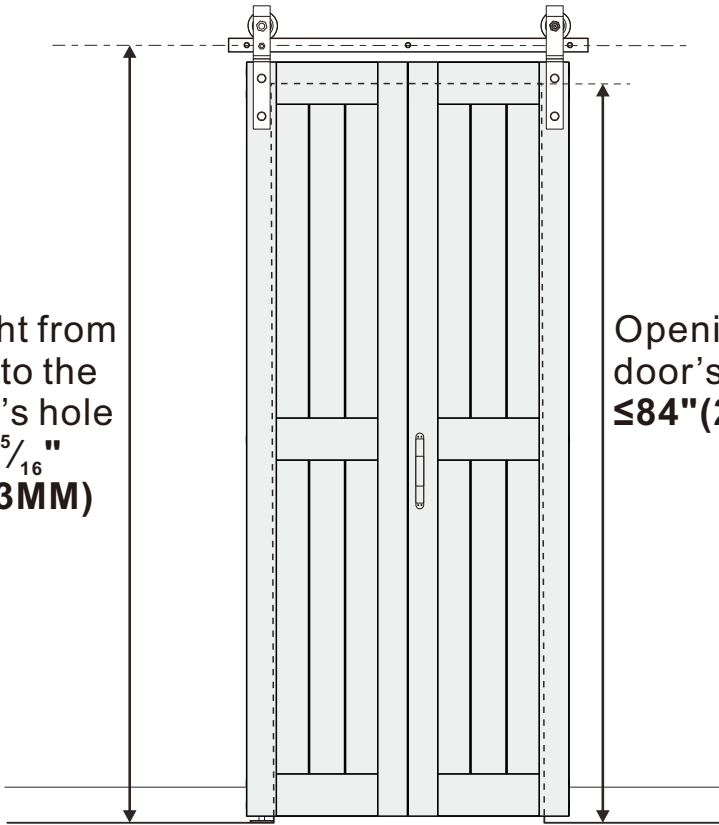
PARTS			PARTS		
		QTY			QTY
A1	Left Side Stile	2	C2	Middle Slat	Varies by size
A2	Right Side Stile	2	C3	Right Side Slat	4
B1	Top Rail	2	E	Screws	20
B2	Bottom Rail	2	F	Plastic Plugs	20
B3	Middle Rail	2	G	Door Bumpers	20
C1	Left Side Slat	4			



# Measurements

Height from floor to the track's hole =  $85 \frac{15}{16}$ " (2183MM)

Opening door's height  $\leq 84"$  (2134MM)



DOOR OPTIONS	DOOR SIZE	TRACK SIZE	OPEING DOOR WIDTH
2 DOORS	(12" * 84") * 2	28"	$\leq 24"$
	(14" * 84") * 2	34"	$\leq 28"$
	(15" * 84") * 2	34"	$\leq 30"$
	(16" * 84") * 2	36"	$\leq 32"$
	(18" * 84") * 2	40"	$\leq 36"$
	(21" * 84") * 2	46"	$\leq 42"$
	(24" * 84") * 2	52"	$\leq 48"$
4 DOORS	(12" * 84") * 4	52"	$\leq 48"$

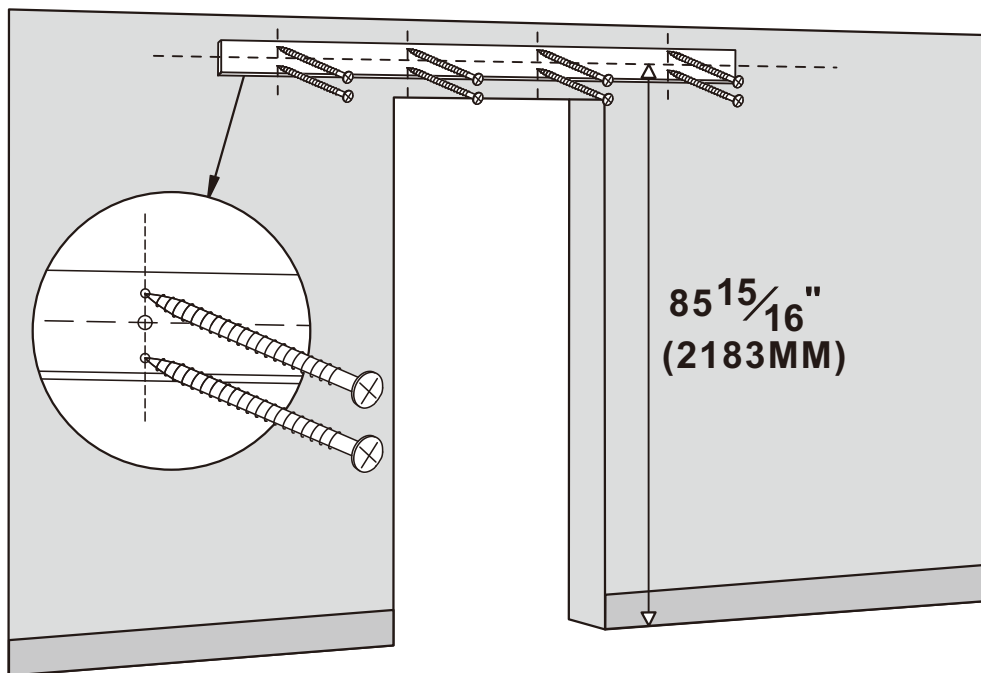
# Installation suggestions

Sometimes there will be some issues when install the track such as a mismatch between studs and pre-drilled holes on the track.

To avoid that we recommend using a head board on all installation scenario.

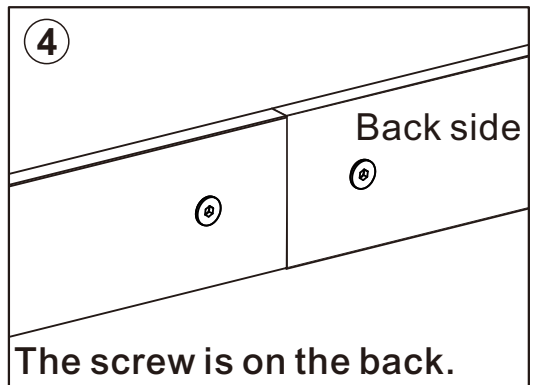
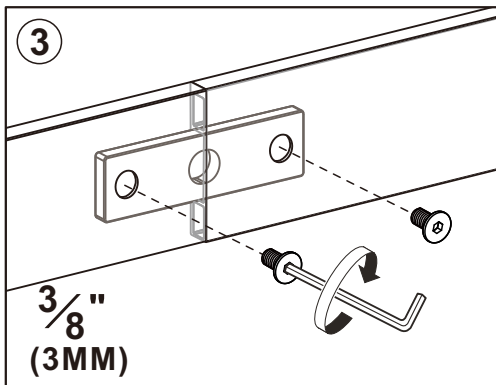
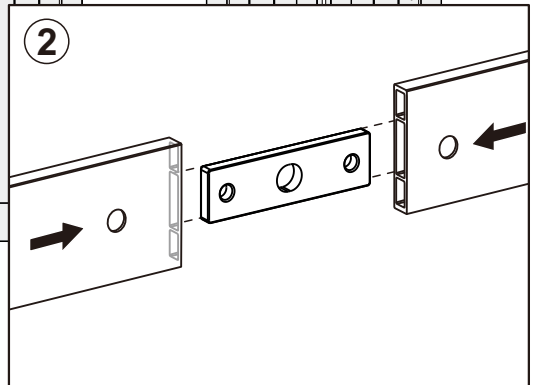
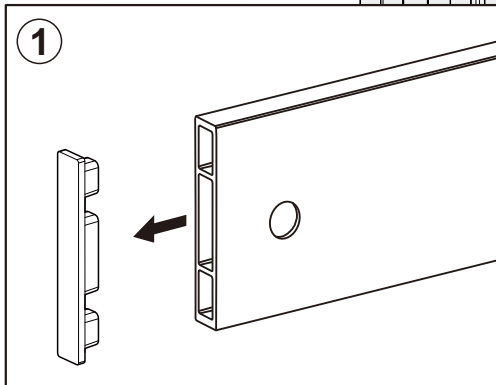
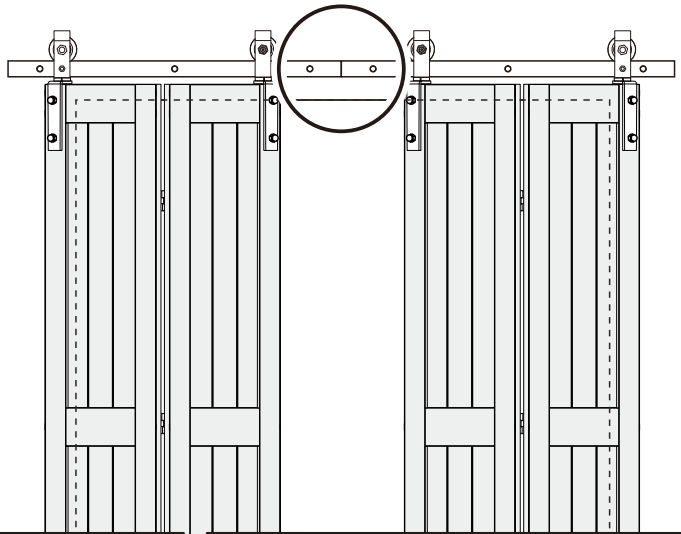
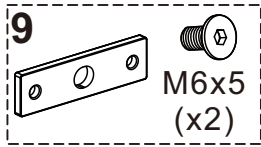
The size of the head board should better be 1"x4" or 1"x6" and a bit longer than the track.

**\*Please note that the head board and matched screws are not included.**



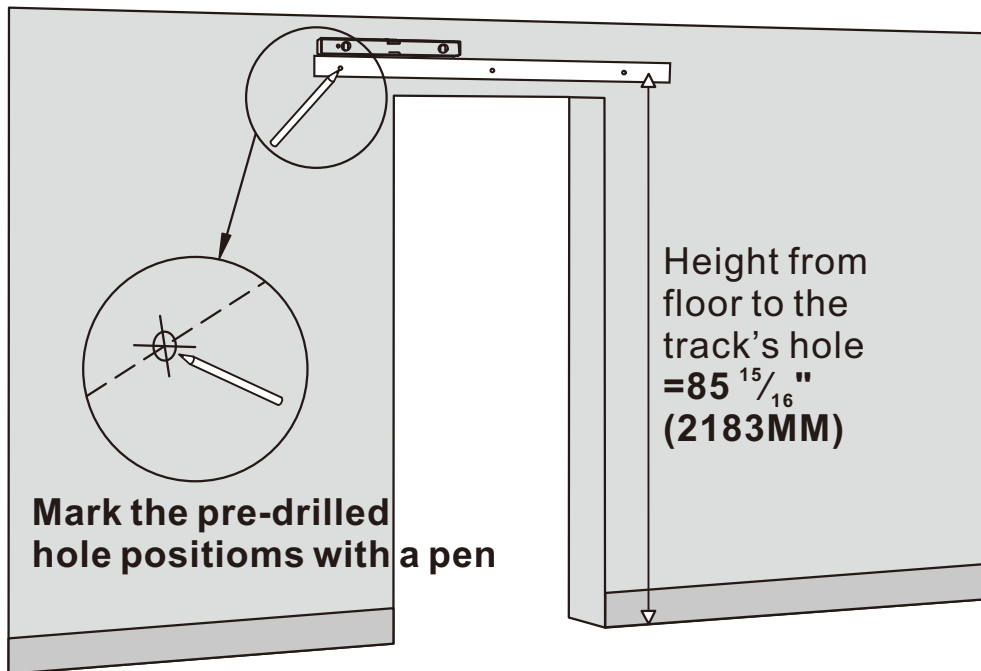
# Only for 4 doors

If you have 2 sets. Please remove the plastic cover at the end of the track. Then connect the rails with connectors.



## Step-1

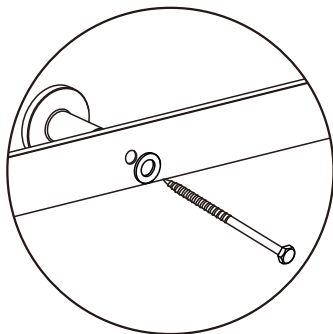
Place the track  $85\frac{15}{16}$ " (2183MM) above the floor and mark the position of the spacer holes.



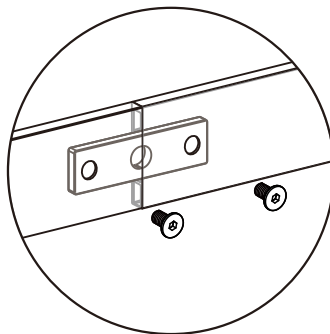
## Track installation types

If the rail is too long, the whole rail will be combined with pieces.

### One-piece Track



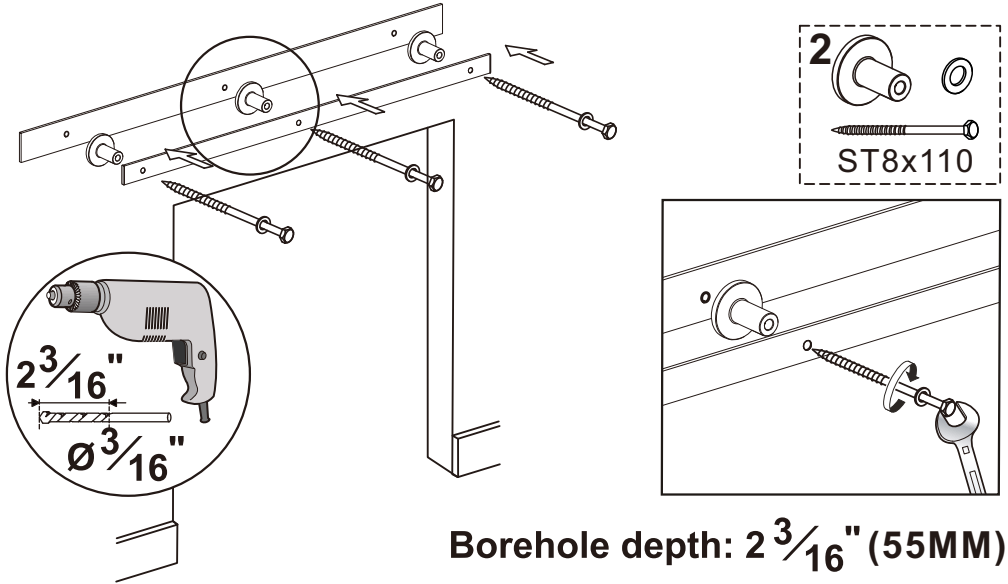
### Connector connection



## Step-2

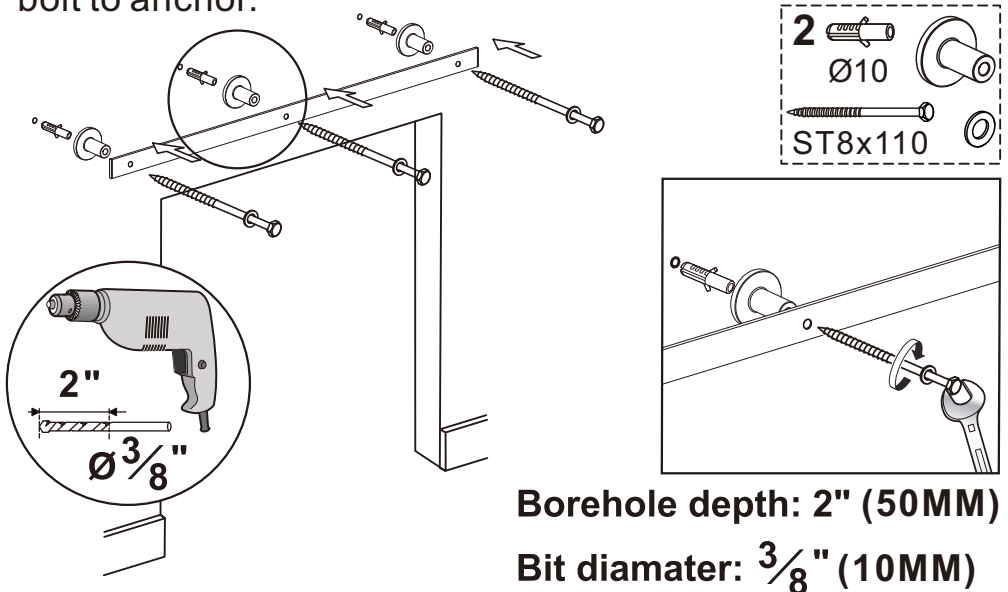
### ① Drywall Installation

Install the lag bolt to wood stud or head board directly.



### ② Concrete wall Installation

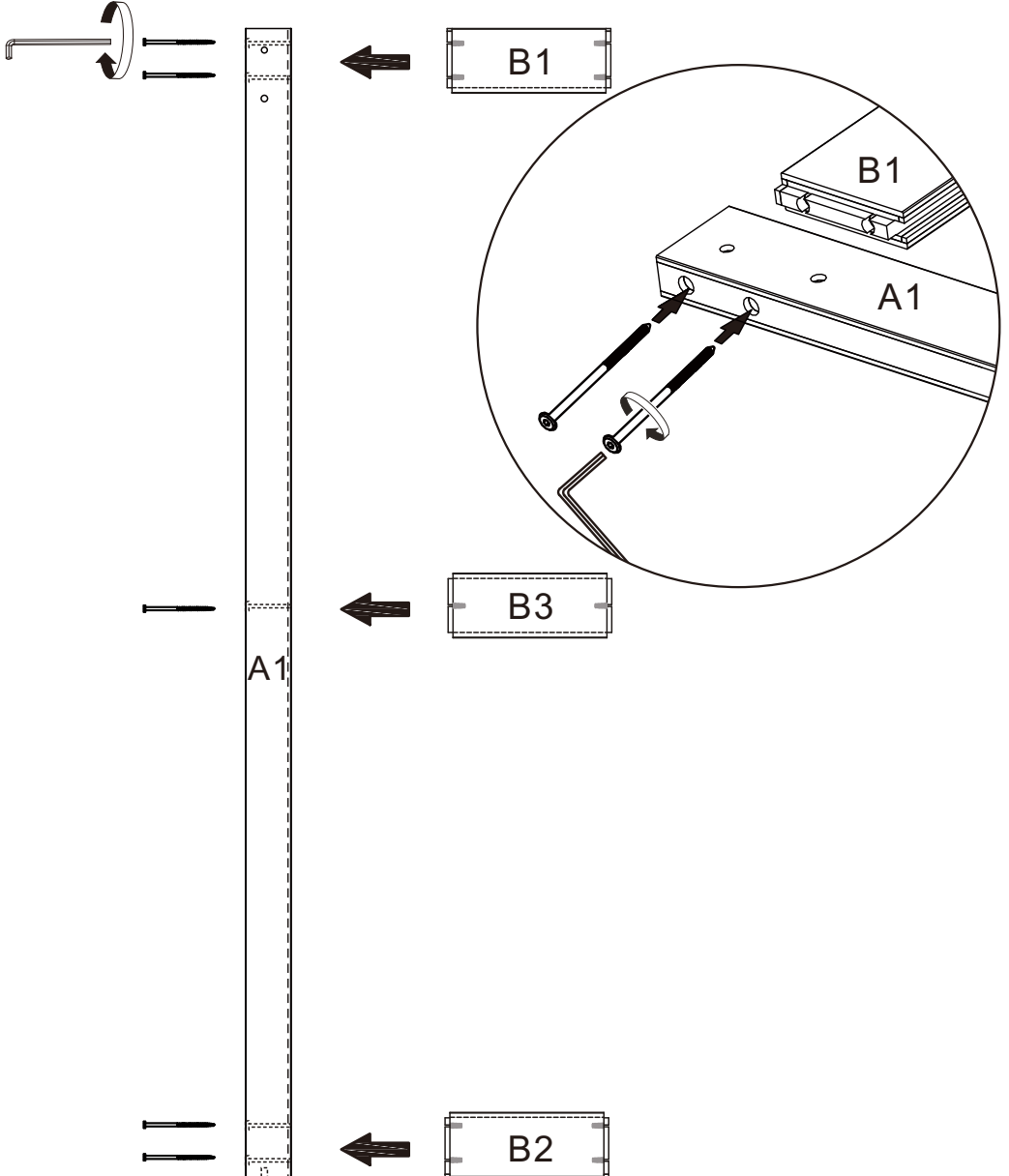
Install the anchor to holes on the wall first, then install lag bolt to anchor.



### Step-3

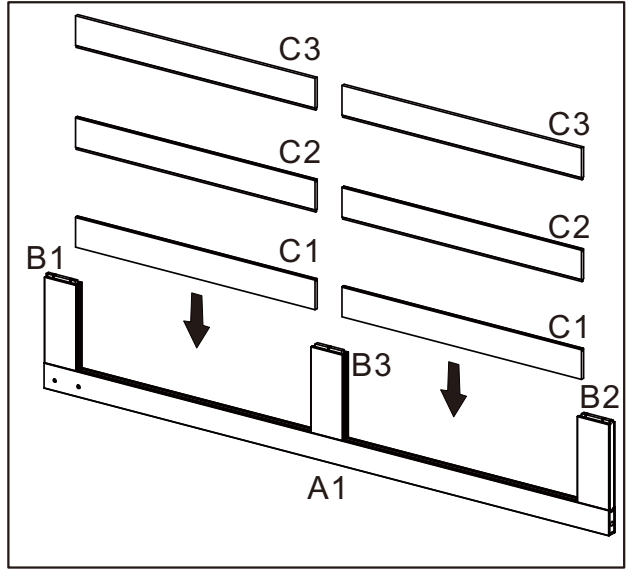
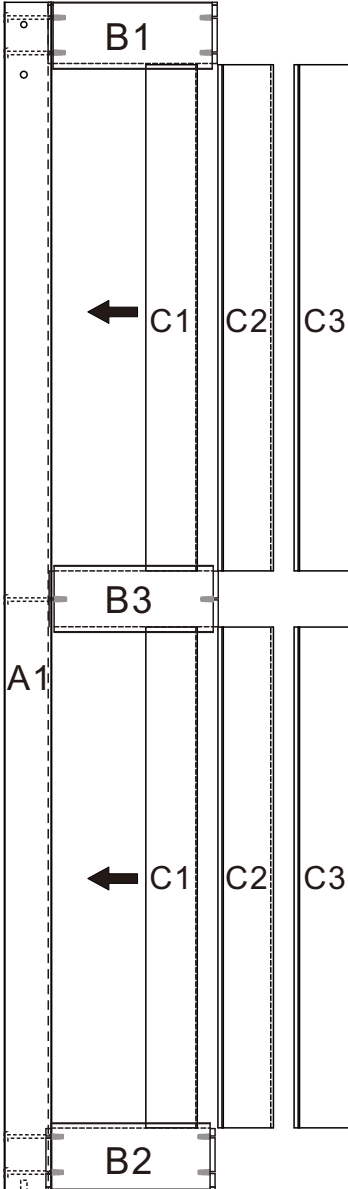
On the flat, lay out one side stile (A1) with the groove facing to the right.

Assemble top rail (B1), middle rail (B3) and bottom rail (B2) to A1 with screws (E).



### Step-4

Assemble the left side slat (C1) with the tongue facing right. Lay all middle slats (C2) next to C1 with the tongue facing right. Lay the right side slat (C3) to the right of the last C2 with the groovefacing left.

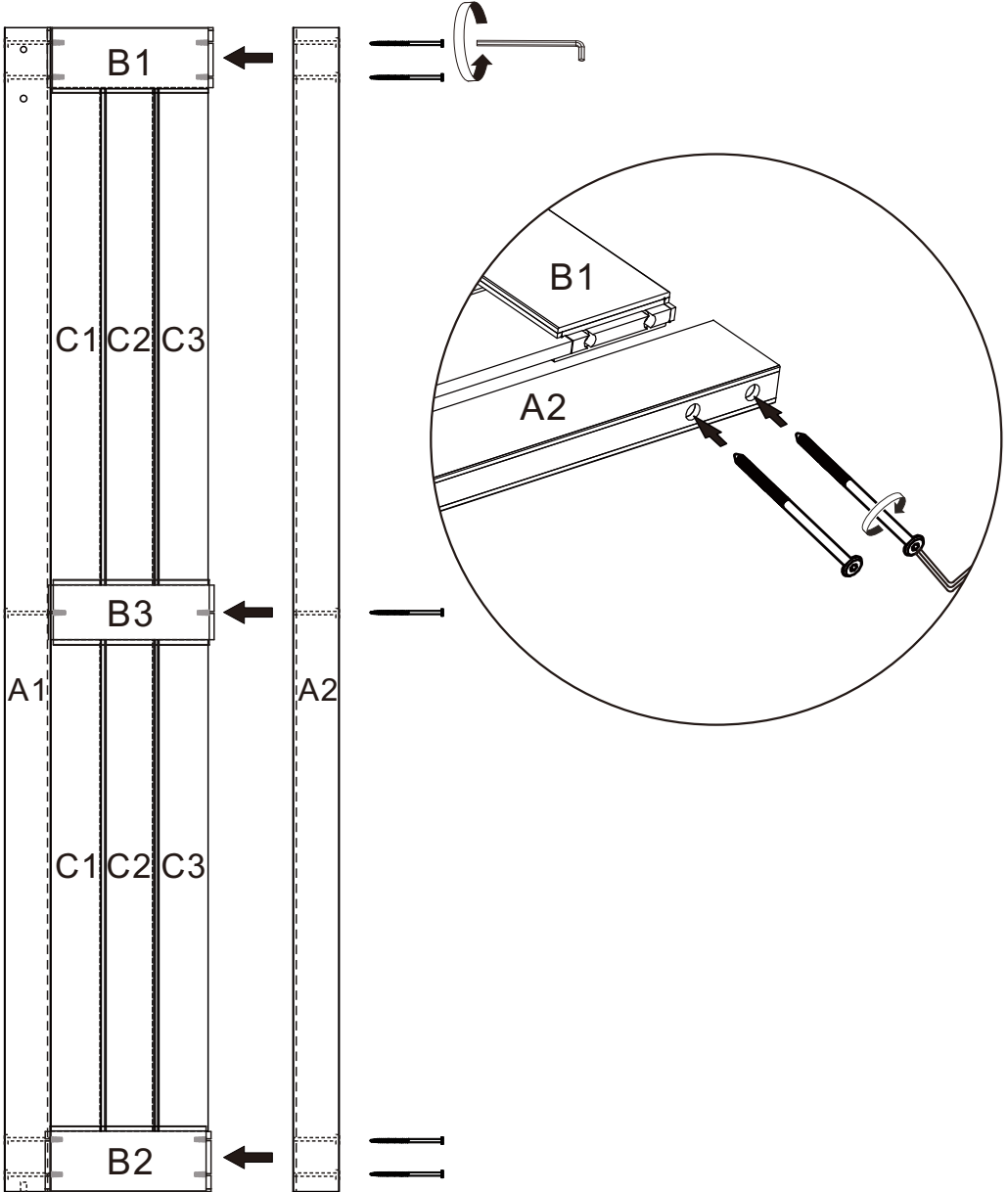


Laying down the boards will make the installation process more labor-saving and convenient.

# Step-5

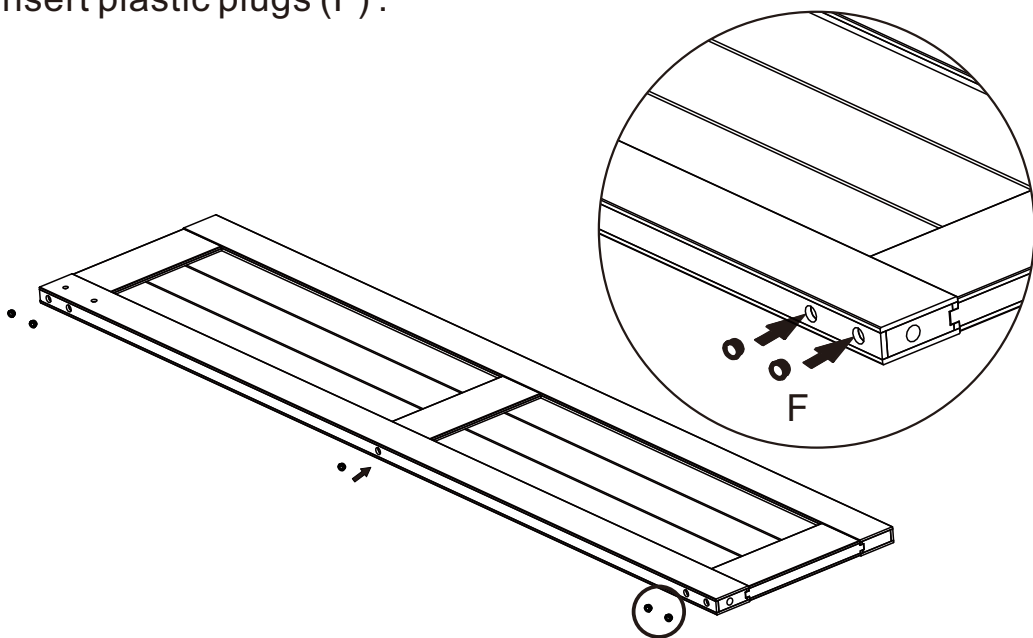
Place the other side stile (A2) beside the assembled slats and rails with groove facing left.

Assemble the right side stile (A2) with screws (E) to cover the top and bottom rail and the edge of the slats assembled.



## Step-6

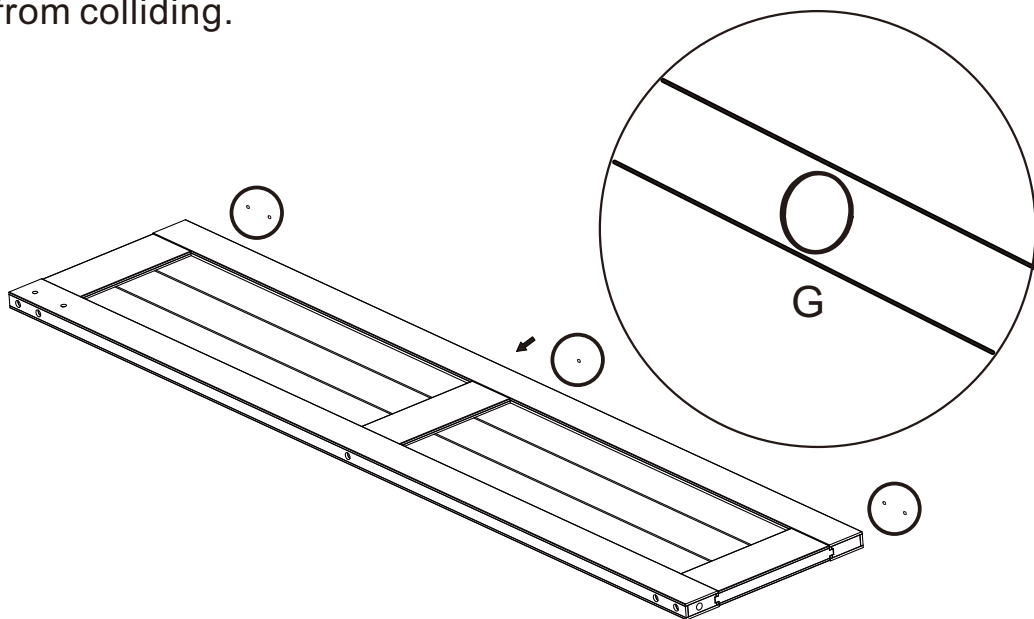
Insert plastic plugs (F) .



---

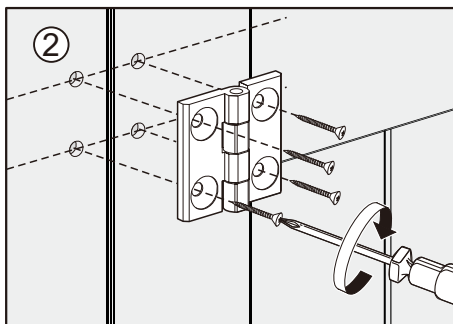
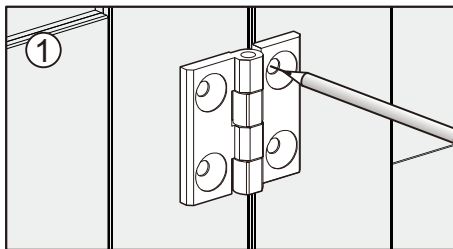
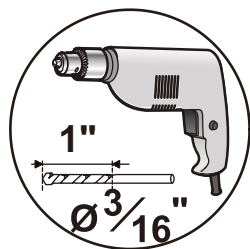
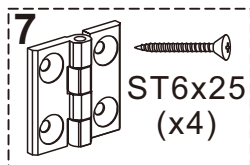
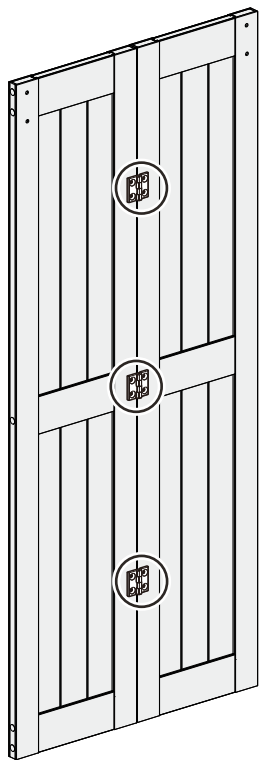
## Step-7

Stick the door bumpers (option), which can prevent two doors from colliding.



## Step-8

Install hinges.

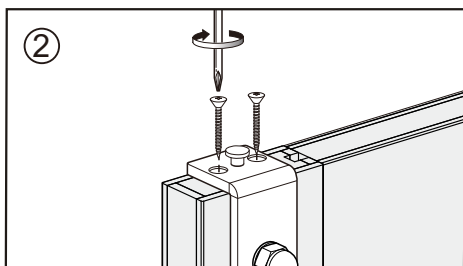
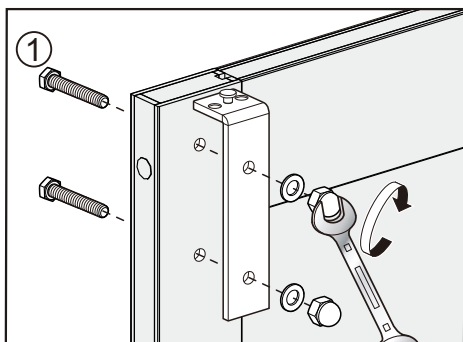
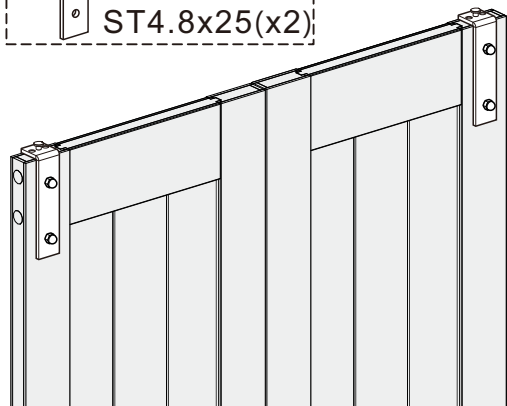
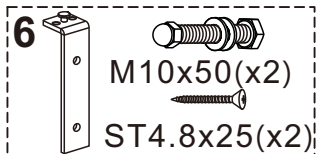


Borehole depth: 1" (25MM)

Bit diameter:  $3/16"$  (4.8MM)

## Step-9

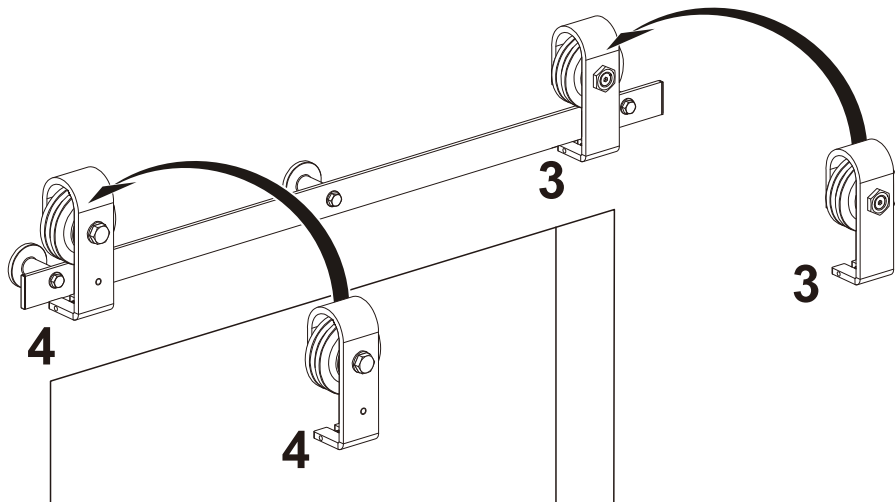
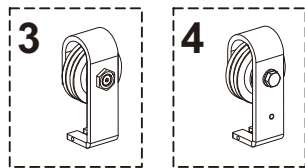
Install pulley base.



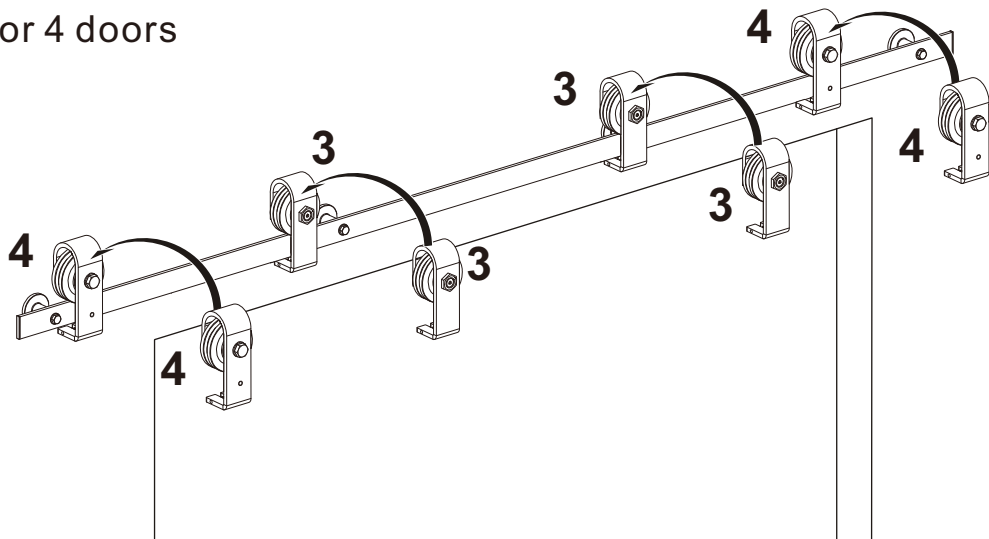
## Step-10

Hang up pulley.

For 2 doors



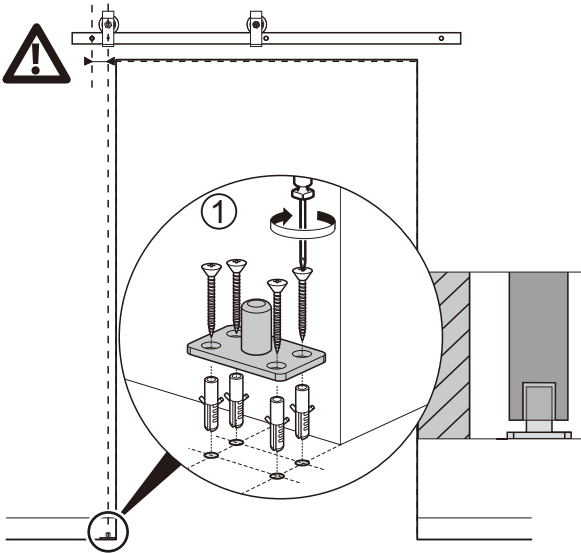
For 4 doors



# Step-11

Install floor guide.

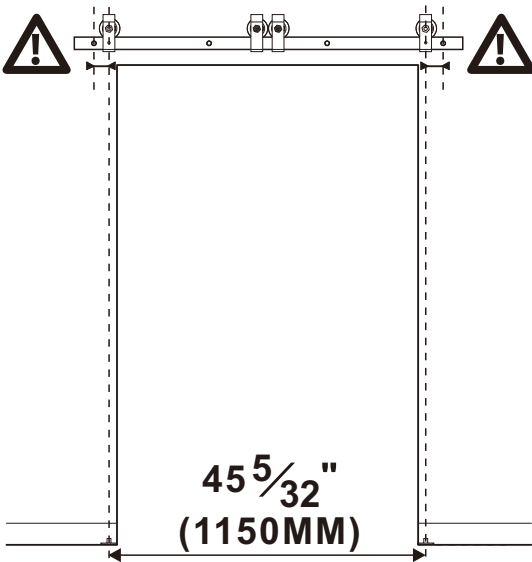
For 2 doors



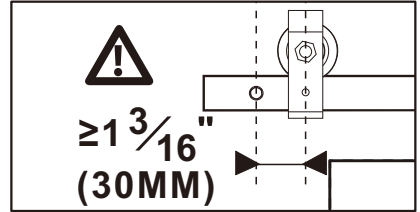
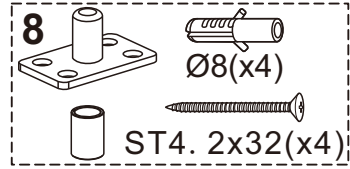
Borehole depth:  $1\frac{3}{8}$ " (35MM)

Bit diameter:  $\frac{5}{16}$ " (8MM)

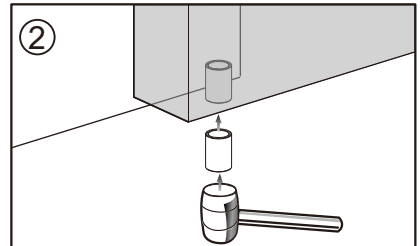
For 4 doors



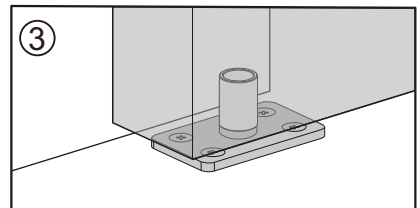
$45\frac{5}{32}$ "  
(1150MM)



Tip: The min. spacing from central position of fixed pulley 4 to spacer is  $1\frac{3}{16}$ " (30MM).



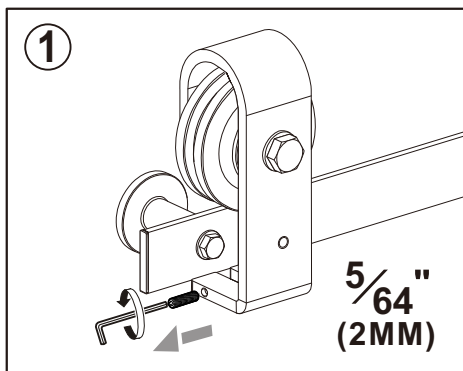
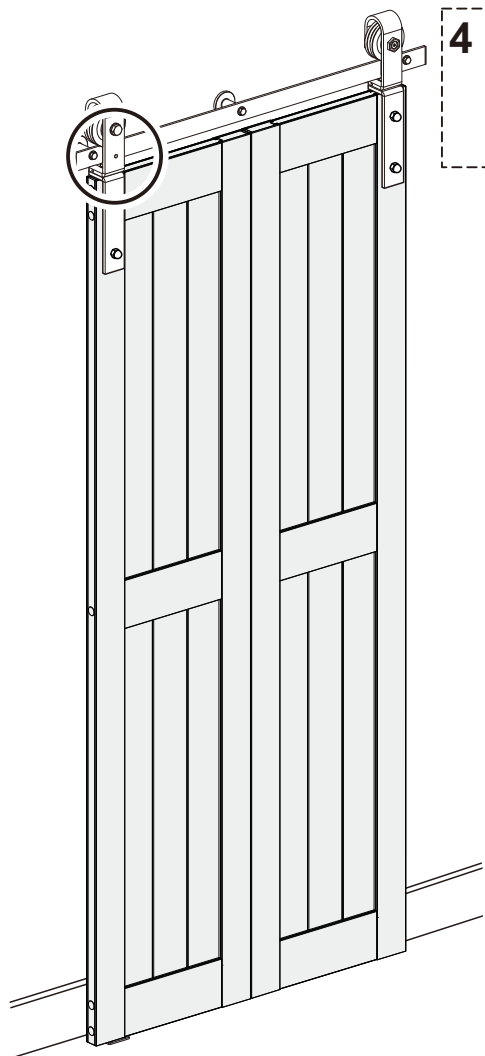
Insert the metallic sheath of floor guide to the bottom of door panel.



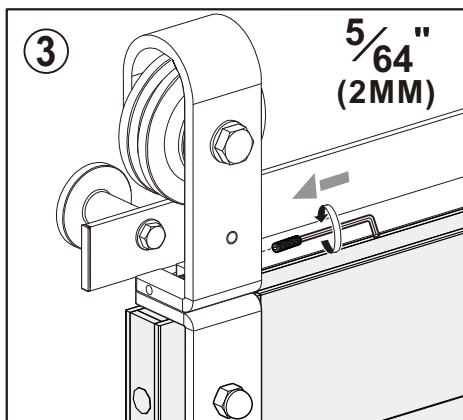
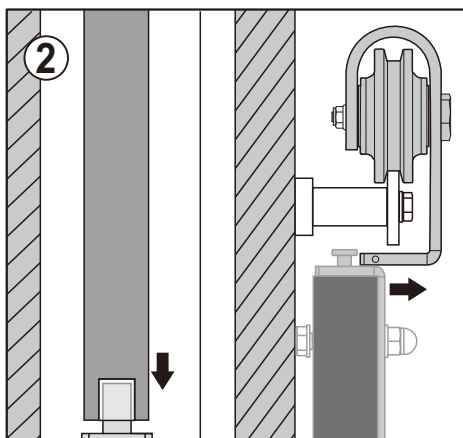
Door panel is 12" (305MM), the distance between the floor guides is  $45\frac{9}{32}$ " (1150MM).

## Step-12

Install fixed pulley.



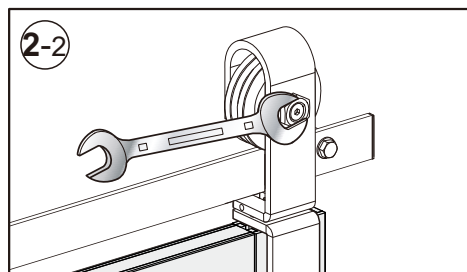
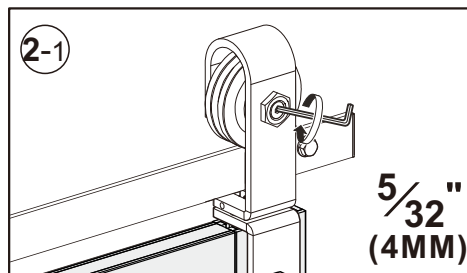
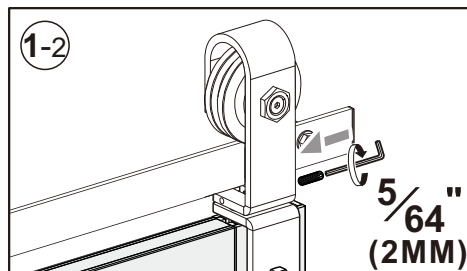
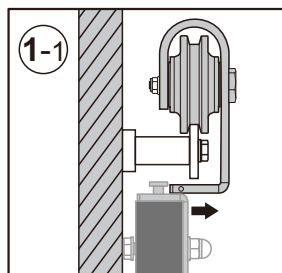
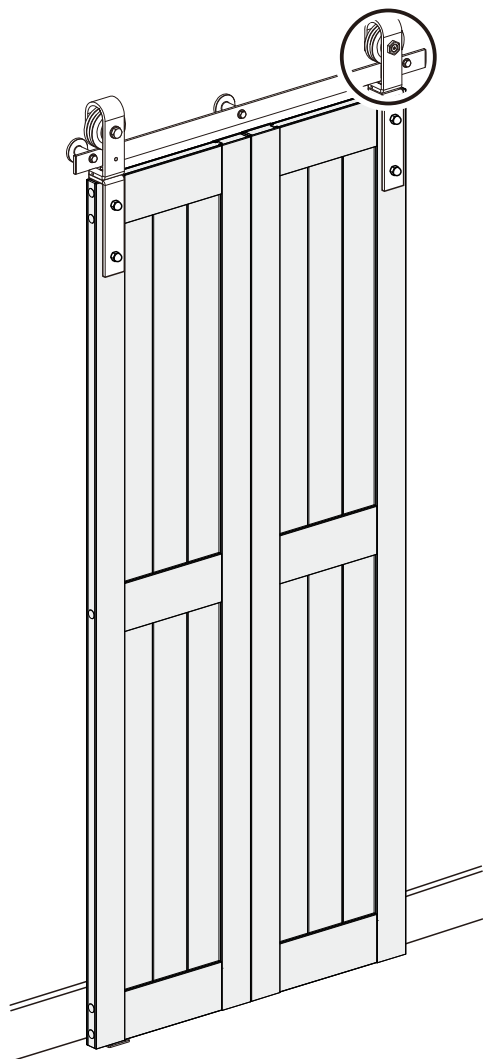
Unscrew the small screw at the bottom of hanging pulley to install the **base 4**.



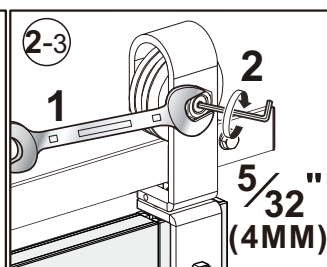
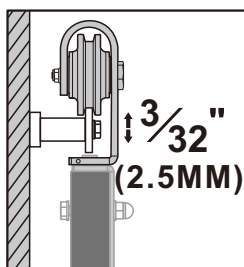
1. Unscrew the screw of pulley.
2. Please install the door to floor guide first.
3. Then install the door to the pulley.
4. Lock the screw back of pulley.

# Step-13

Install movable pulley.

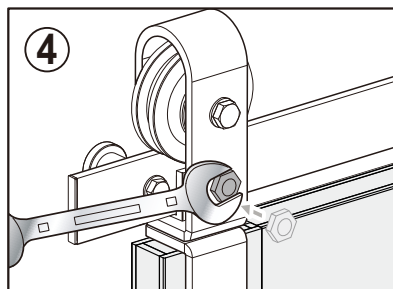
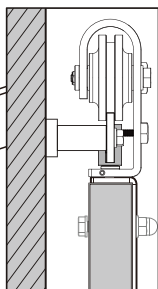
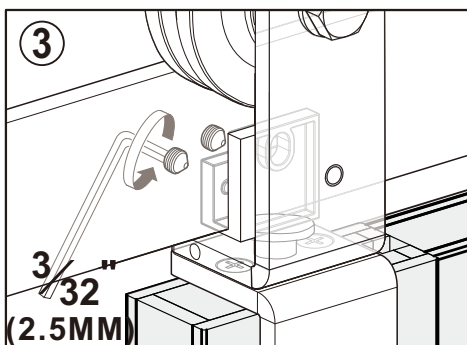
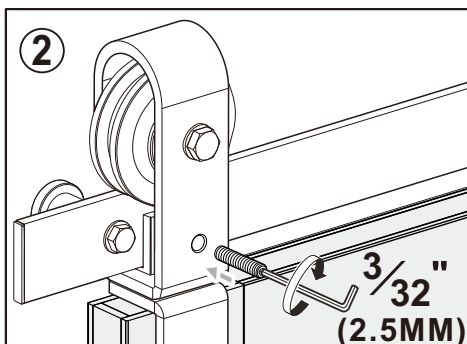
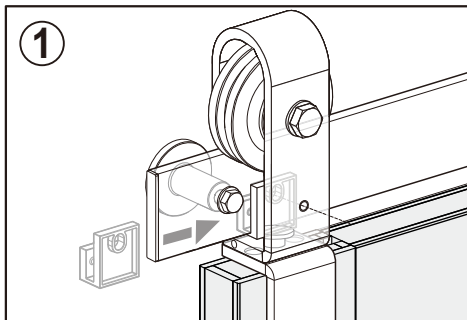
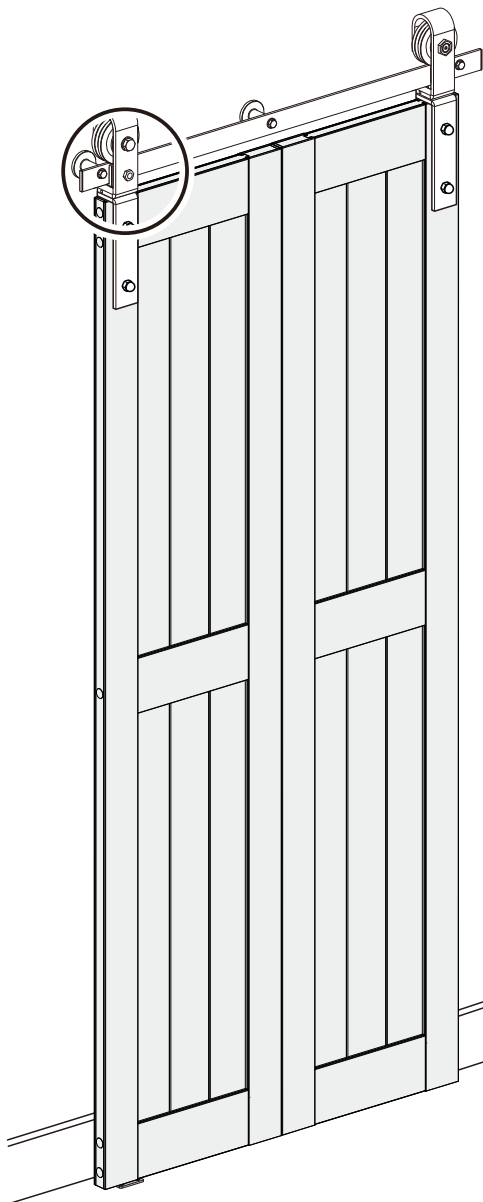
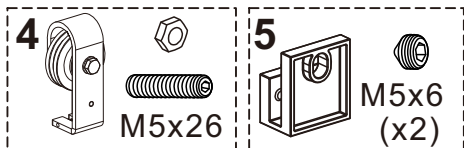


If the height of two doors are uneven, align them by adjusting the height of movable **pulley 3** by hexagon wrench and wrench. adjustment range:  $\frac{3}{32}$ " (2.5MM)



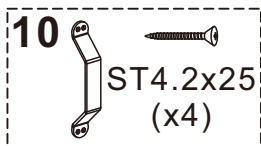
# Step-14

Install the fixator 5 of hanging pulley 4.

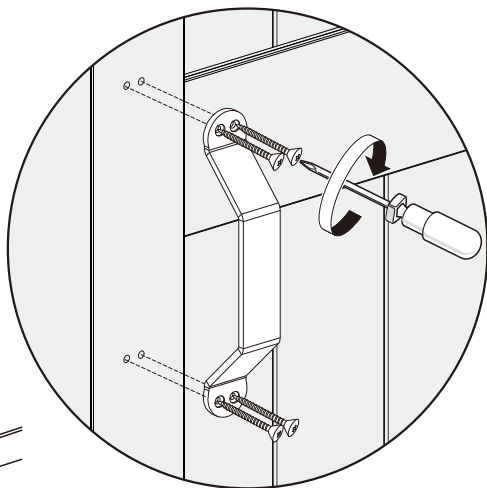
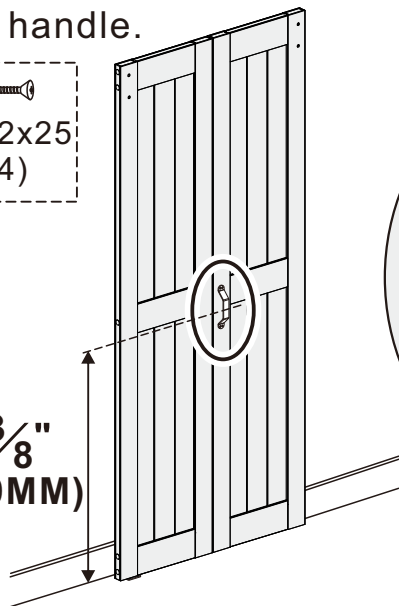


## Step-15

Install the handle.

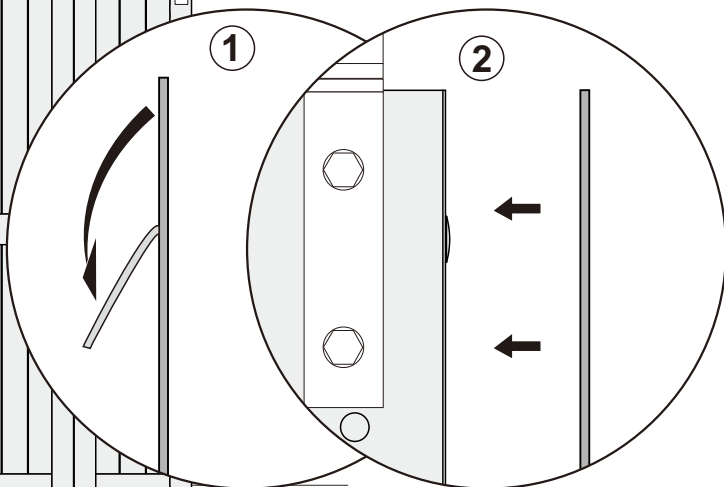
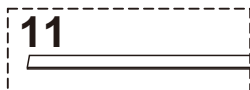
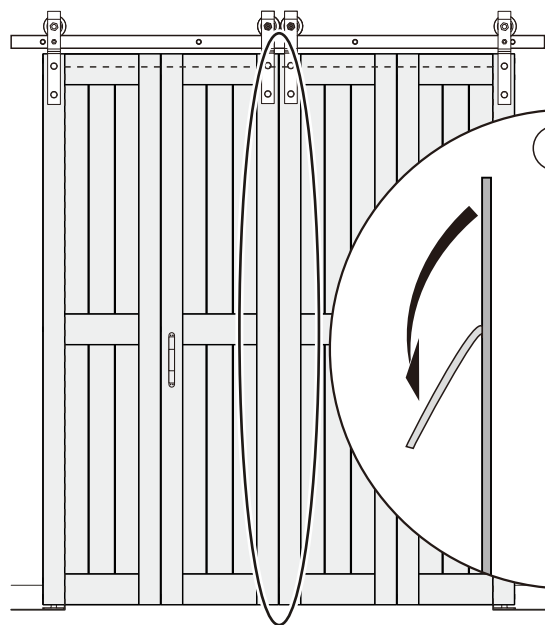


$39\frac{3}{8}$ "  
(1000MM)



## Step-16

Stick a seal, if you have 4 doors.



Tear double-sided adhesive tape apart, then stick the seal.