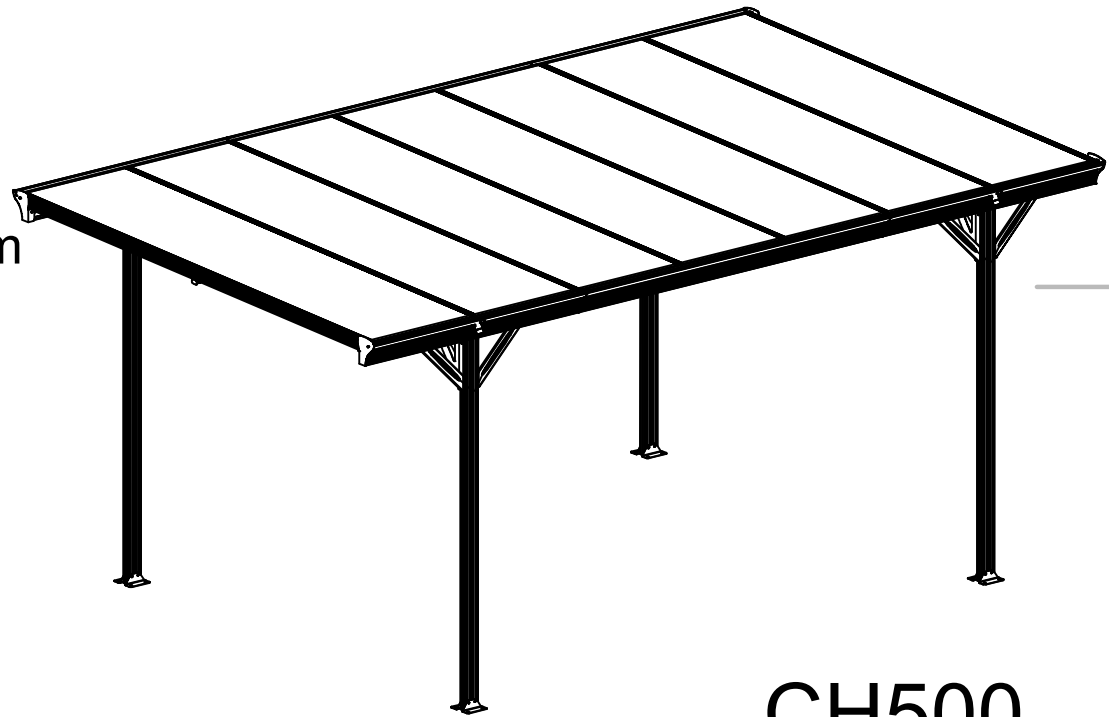


Aluminum carport Instruction manual

SIZE:503Lx305Wx207H/232Hcm



CH500

28/06/2020

IMPORTANT

You must read these instructions carefully before you start to assemble this Aluminum carport .Please ensure that you find all parts.

in the carton box in the correct type and quantity as mentioned in the list illustrated in every page accordingly. Please carry out the steps in the order set out in these instructions.

Do not tighten the steps in the Aluminum carport until completing on the assembly.

Keep these instructions in a safe place for future reference.

SAFETY ADVICE

We strongly recommend the use of work gloves during assembly.

Do not attempt to assemble the Aluminum carport in windy or wet conditions.

Do not touch overhead power cables with the aluminum profiles.

Always wear shoes and safety goggles when working with extruded aluminum.

Dispose of all plastic bags safely-keep them out of reach of small children.

The Aluminum carport must be positioned and fixed on a flat level surface.

Do not lean against or push the Aluminum carport during construction.

Keep children away from the assemble area.

Do not position your Aluminum carport in an area exposed to excessive wind.

Do not attempt to assemble this Aluminum carport if you are tired ,have taken drugs or alcohol or if you are prone to dizzy spells.

If using a step ladder or power tools ensure that you follow the manufactures safety advice.

Hot items such as recently used grills, blowtorches etc.must not be stores in the Aluminum carport .

Ensure there are no hidden pipes or cables in the ground before inserting the pegs.

GENERAL ADVICE

This is a multi-part assembly, Allow at least 200 minutes for assembly.

Selecting a site-choose a sunny level position away from overhanging trees.

If you are fixing your Aluminum carport directly to a solid concrete foundation use the pre drilled holes in the metal base supplied.

The component parts should be checked and laid out close at hand.

Keep all small parts(screws etc)in a bowl so they do not get lost.

Note that the door is hinged on the right hand side and therefore opens tothe right.

Keep roof clear of snow and leaves.

CARE & MAINTENANCE

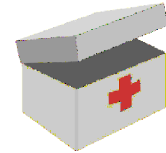
When your Aluminum carport needs cleaning, use a mild detergent solution and risen with cols clean water.

Do NOT use acetone, abrasive cleaners or other special detergents to clean the clear panels.

TOOLS & EQUIPMENT REQUIRED

Protective Equipment:

- 1.Helmet
- 2.Glove
- 3.Long Sleeve Cotton Overalls
- 4.Emergency Medicine Cabine
- 5.Eye Shield



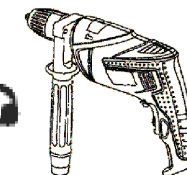
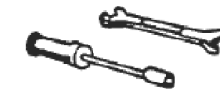
Measure (metric):

- 1.The Tape (5 m)
- 2.Angle Square
- 3.Level Meter



Installation Tool:

- 1.Triangle Stairs≈2m Height
- 2.Spanner 10mm (Ratchet Wrench is better)
- 3.Spanner 14mm (Install the expansion screw)
- 4.Hexagon wrench 4mm x2
- 5.Electric screwdriver+5mm Hexagon wrench (suggest)
- 6.Wooden Mallet
- 7.Marking Pen
- 8.Percussion bit(8mm and 10mm)
- 9.Knife
- 10.Phillips screwdriver
- 11.WD-40



PRODUCT SIZE

Make sure a good installation location

OTHER CAUTIONS

1. 3 people required, one is for measuring & taking marks to ensure the installation dimension, the second person is responsible for the installation and the last one do as assistant and assure the safety.

2. Firstly, make sure the wall is strong enough for installation. A brick concrete structures is the best choice.

3. High-power electric tools are required, ensure the normal work of them and highly pay attention to electric safety.

4. Be careful when using the kind of blunt tools, like hammer.

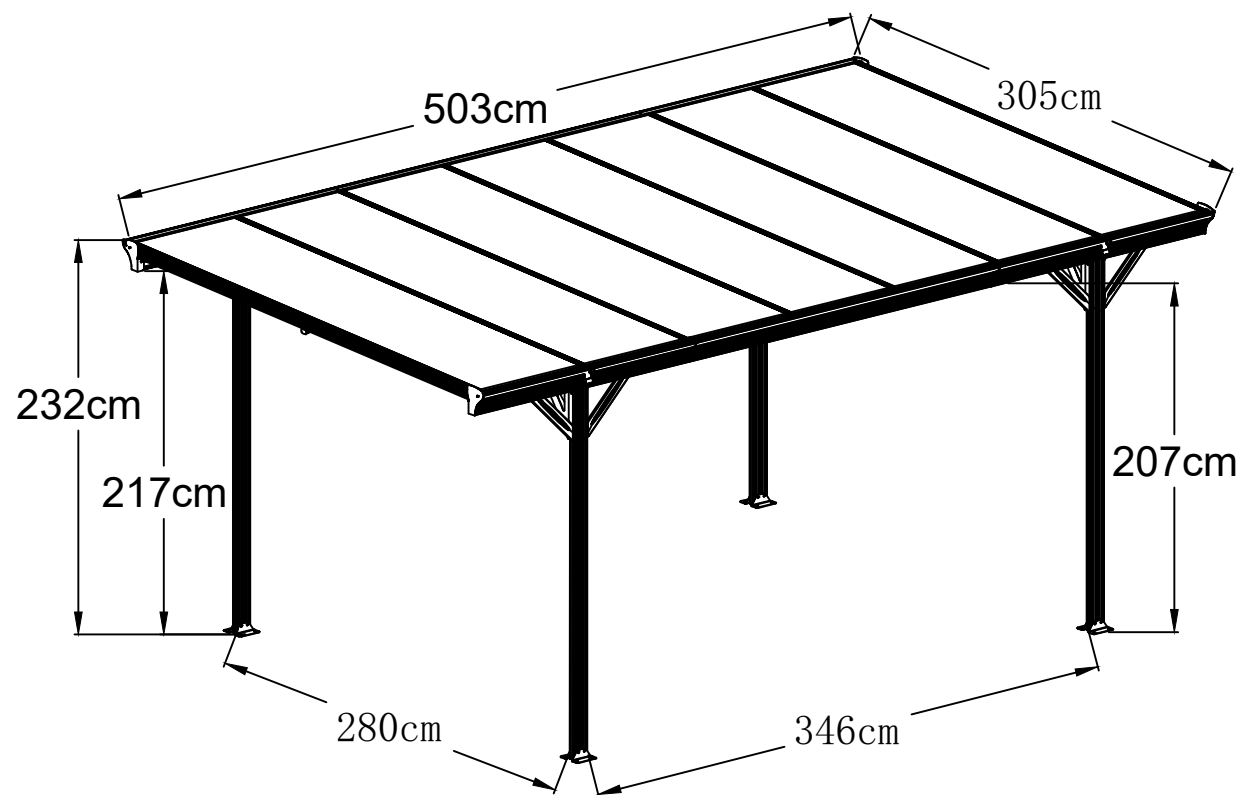
5. Wearing long sleeve cotton overalls, gloves and helmet during installation and wear safety glasses when using power tools.

6. No up watching when working height, or the drop screws may hurt your eyes and suffocation causing accidentally when fall into your mouth.

7. No climbing, No standing on the tent to avoid falling down.


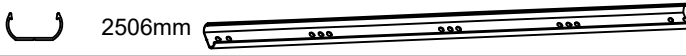





8. If injuries immediately, using the first-aid kit to stop bleeding, bind up, In case of emergency, taken immediately to a nearby medical institutions.

CH500















CH500 PARTS LIST



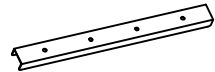

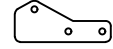




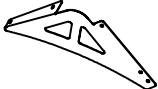

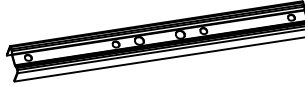


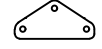


SKELETON

NO.	Qty.	
8	8	 2918mm
2-1	2	 2506mm
7	2	 2506mm
3-1	4	 1468mm
3	2	
5-1	4	 1468mm
5	2	
6-1	4	 1468mm
6	2	
9-1	2	 2100mm
9	2	

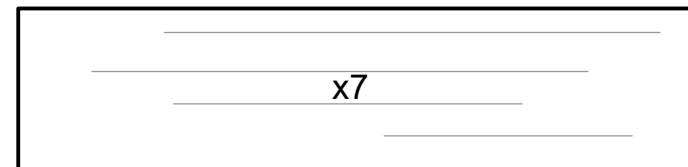
SCREW

NO.	Qty.		NO.	Qty.	
B12	4		F8	12	
F1	16		F9	40	
F3	58		F8-1	20	
F4	42		S7	24	
F6	16		S8	16	
F7	8		S9	4	

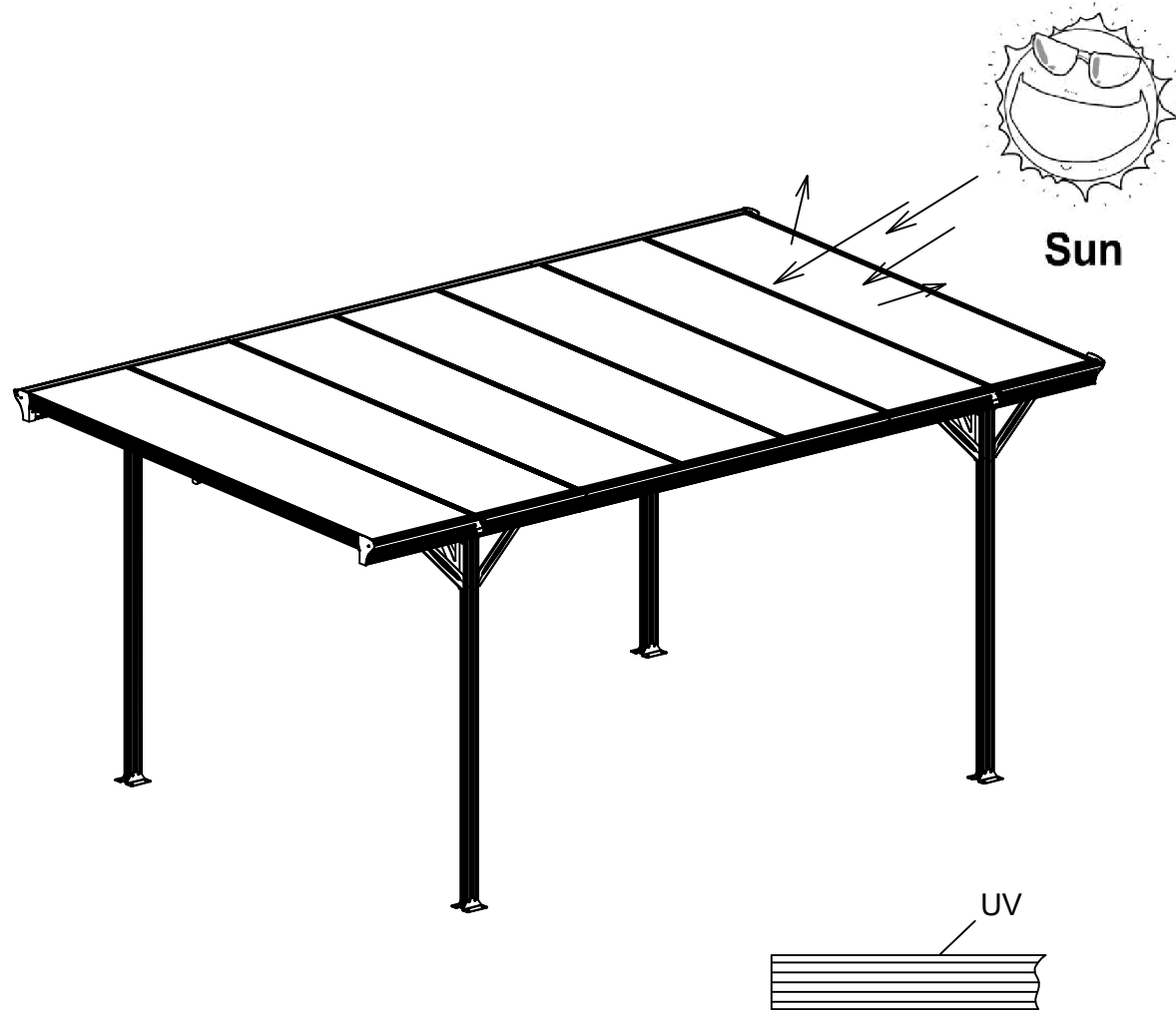
SCREW

NO.	Qty.		NO.	Qty.	
B1	8		B7	2	
B3	4		B9HL	2	
B4	4		B9HR	2	
B5LL	1		B9LL	2	
B5LR	1		B9LR	2	
B5HL	1		B10	4	
B5HR	1		B11	4	
B6	12		B8	8	
			B15	7	

POLYCARBONATE PANEL



SUMMARY STATEMENT FOR POLYCARBONATE PANEL



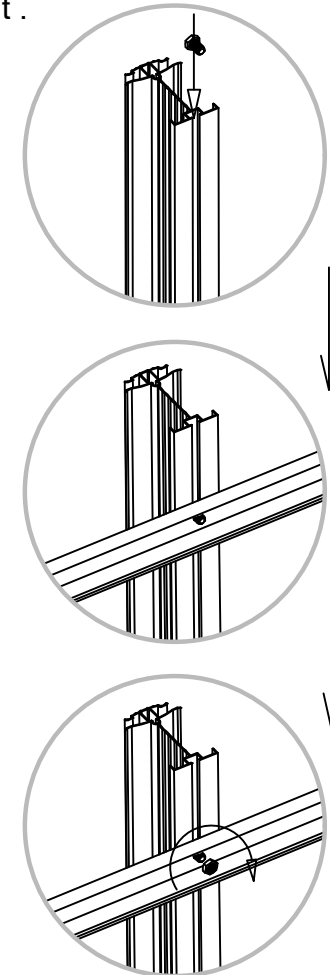
Towards the white film side to the sun as it is UV-protected.

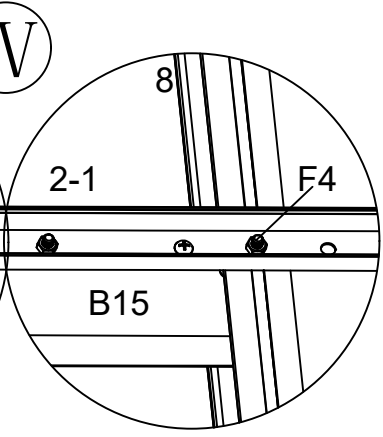
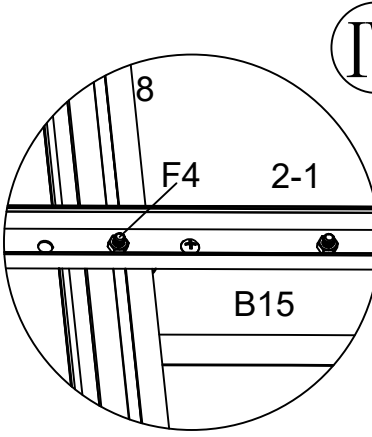
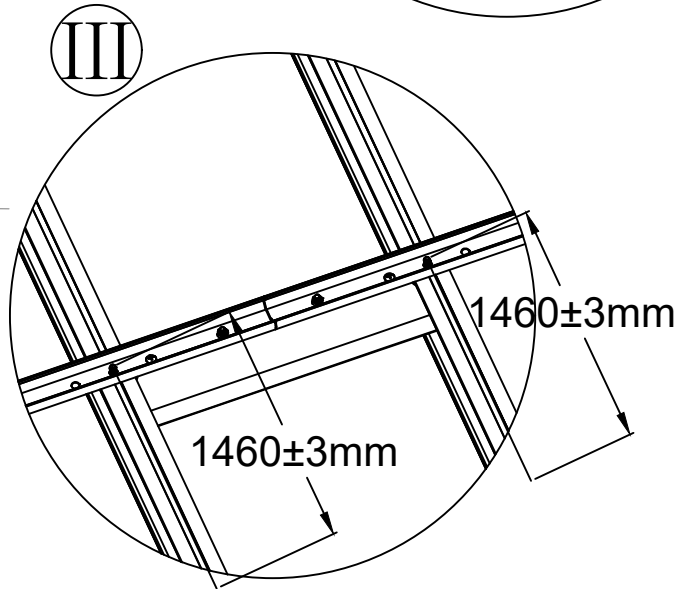
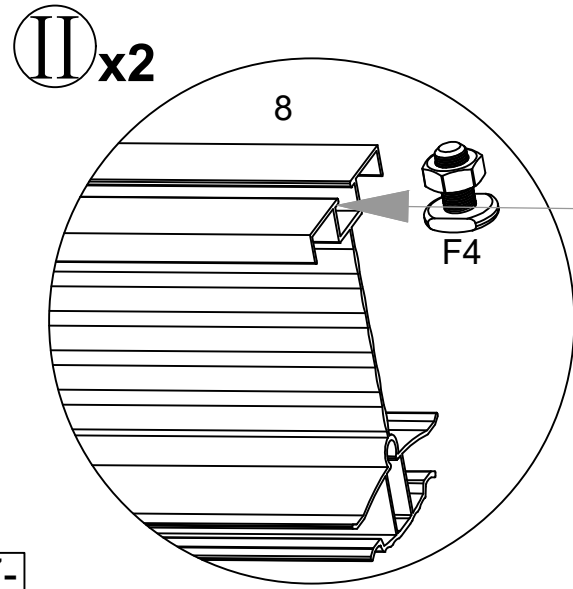
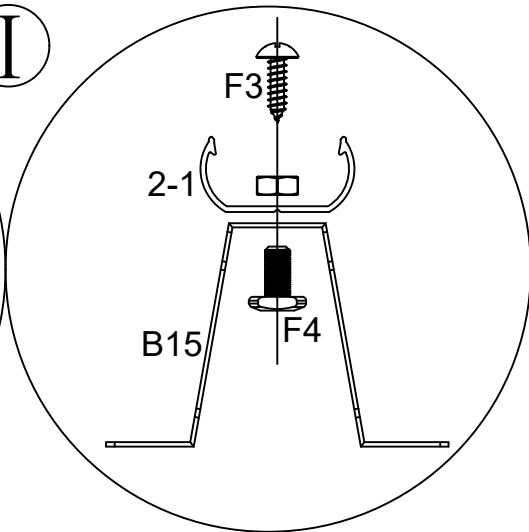
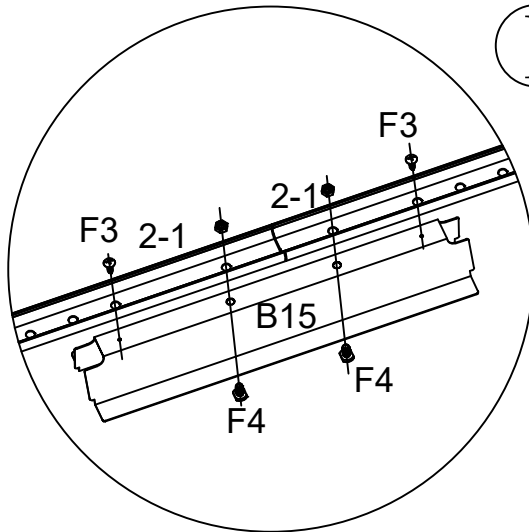
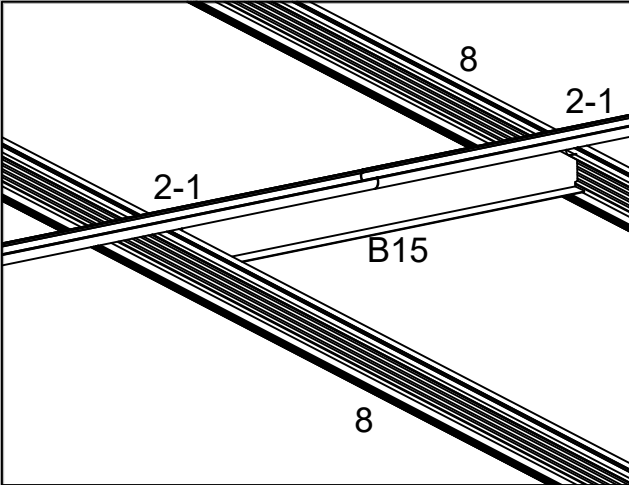
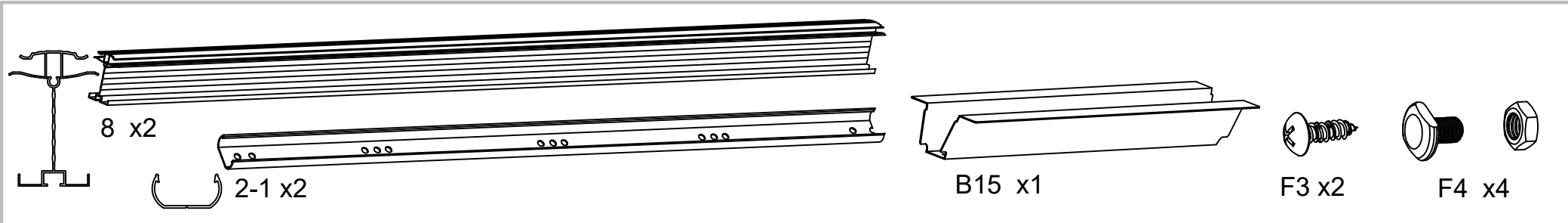
"hexagonal screw" installation

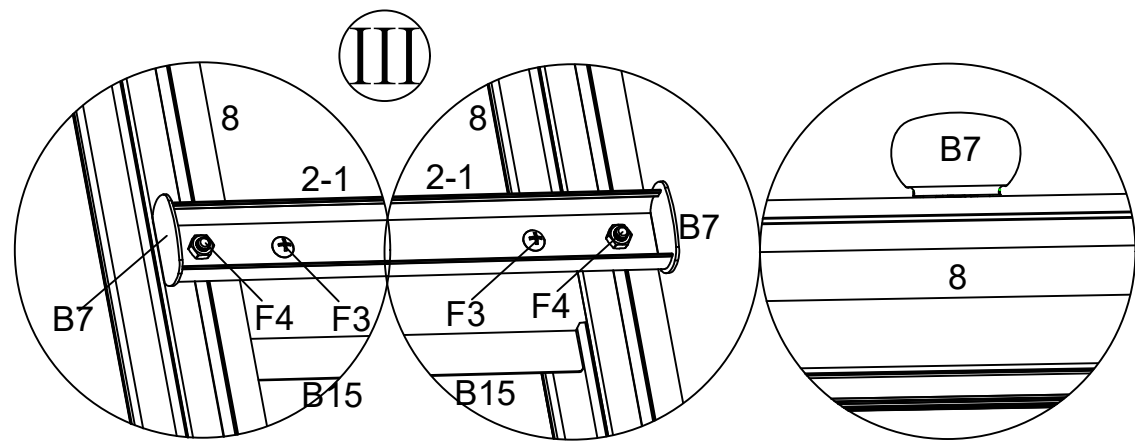
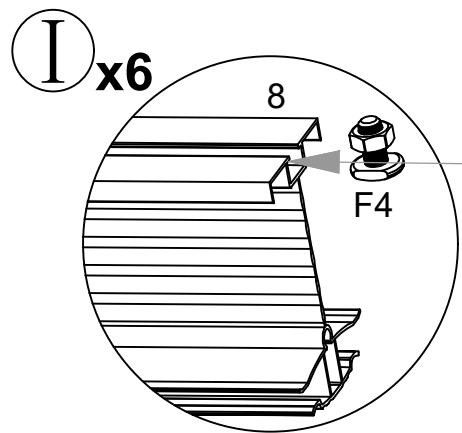
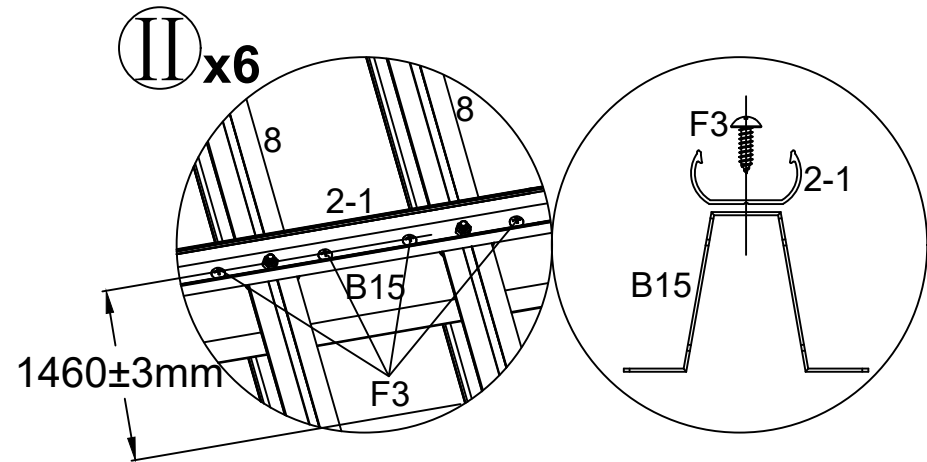
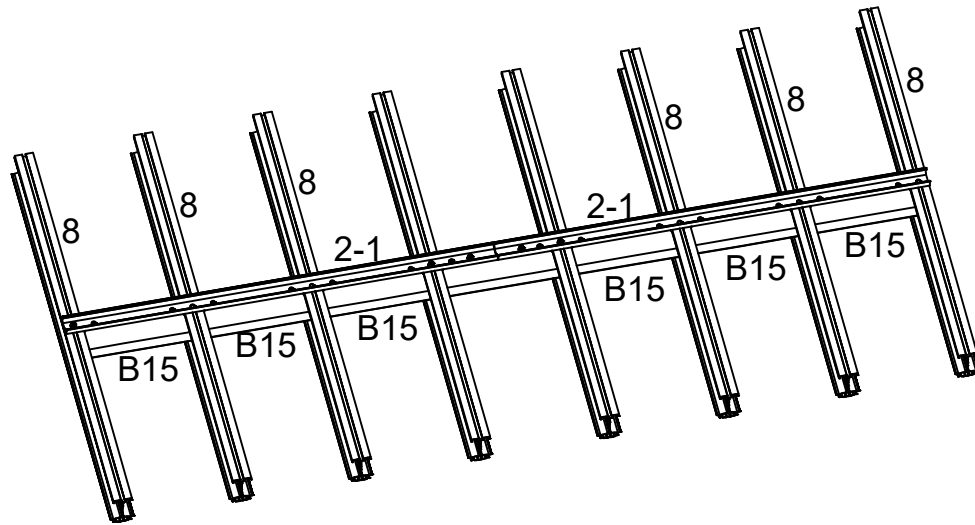
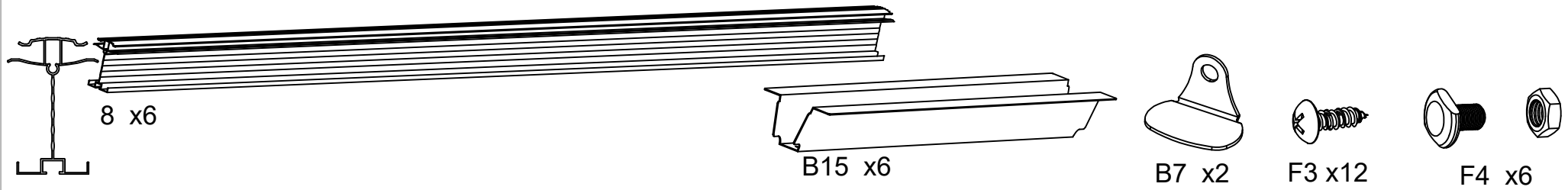
Place the "hexagonal screw" into the groove, turn clockwise until it stops turning.

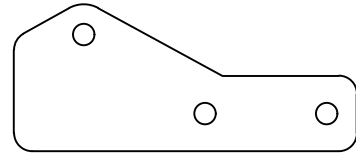
Adjust the "hexagonal screw" by hand and twist so threads fix it in place.

Place other parts on "hexagonal screw" and assemble nut .

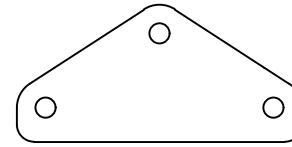








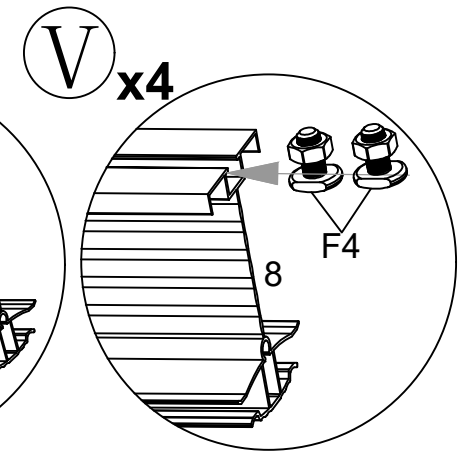
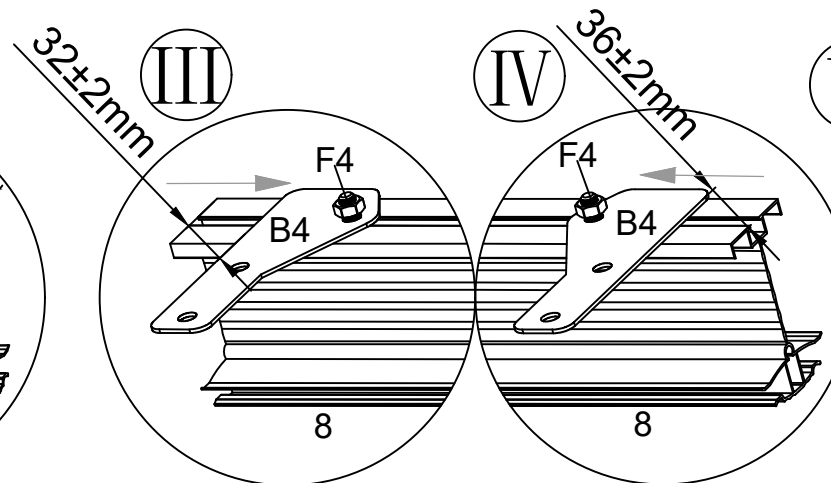
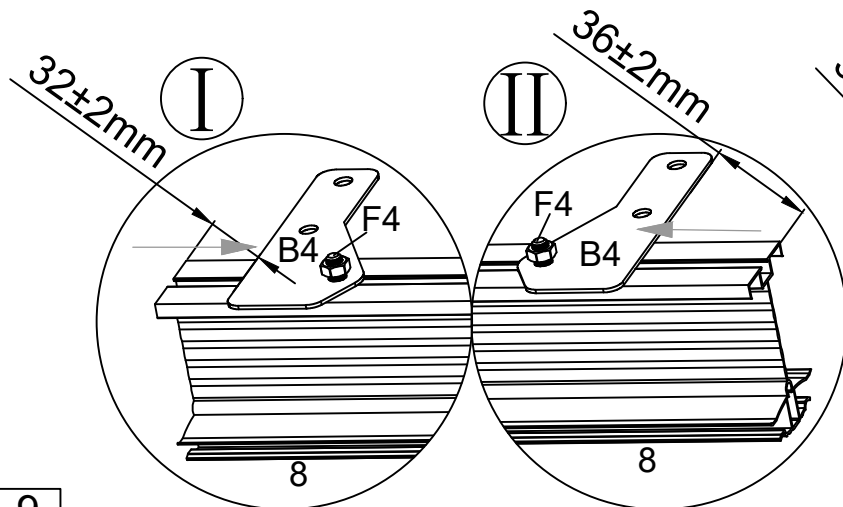
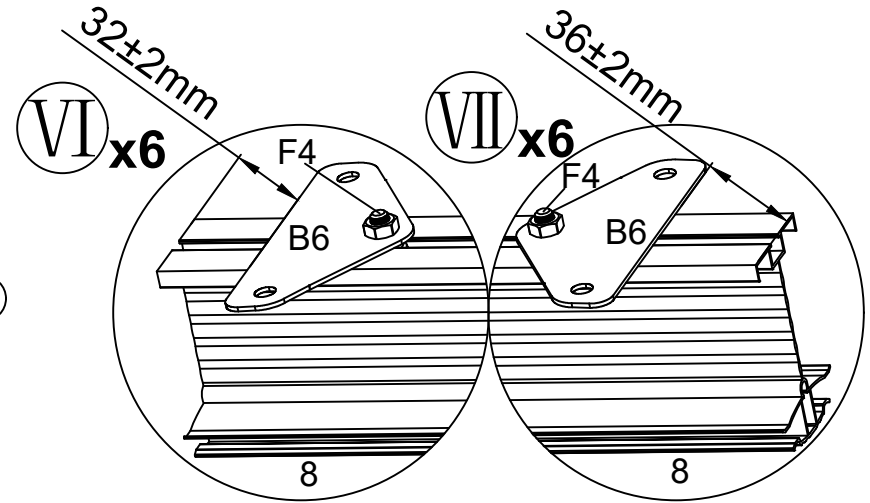
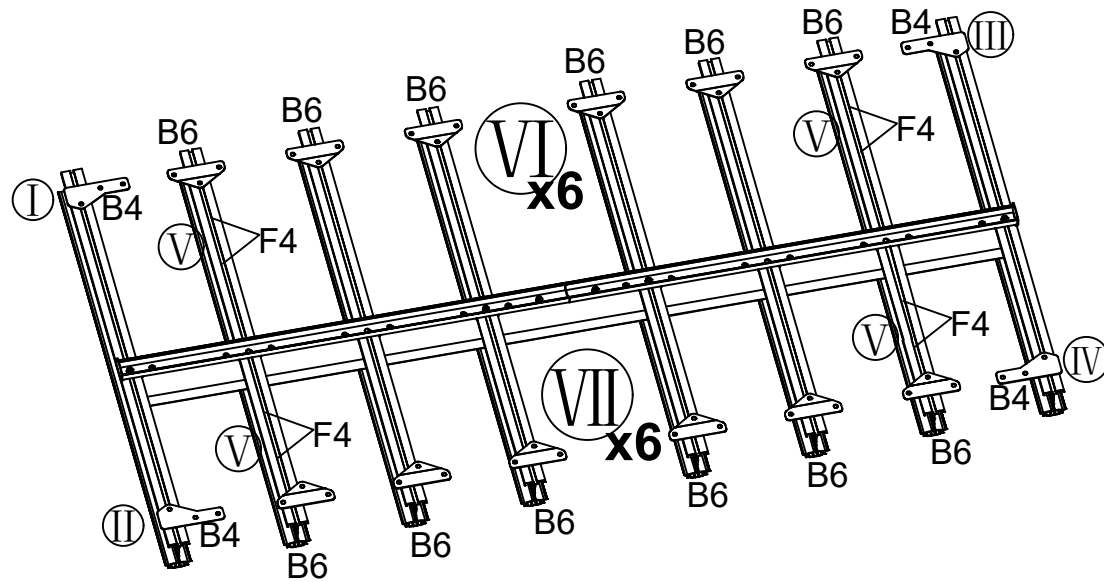
B4 x4

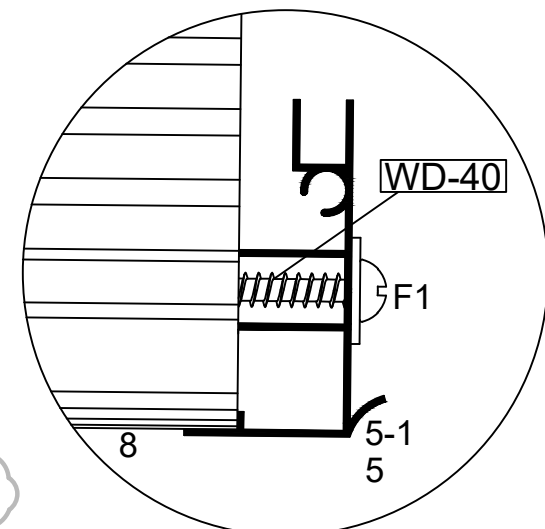
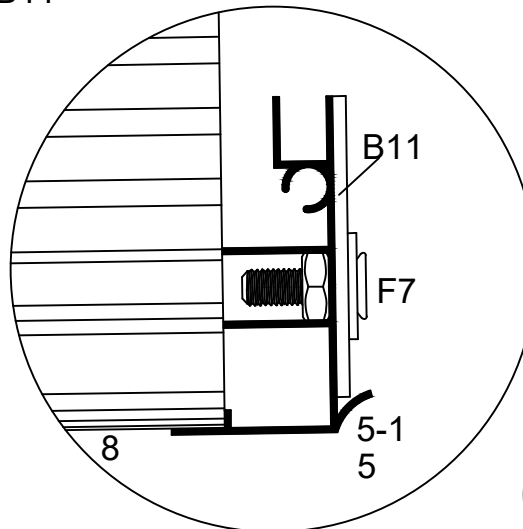
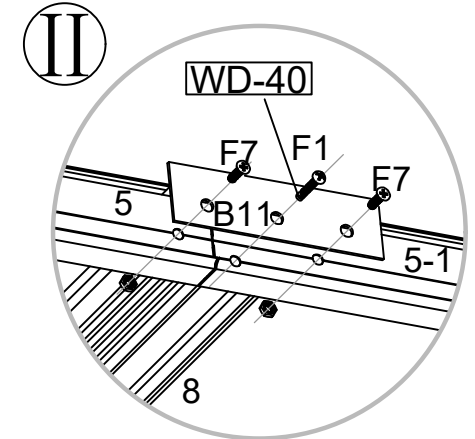
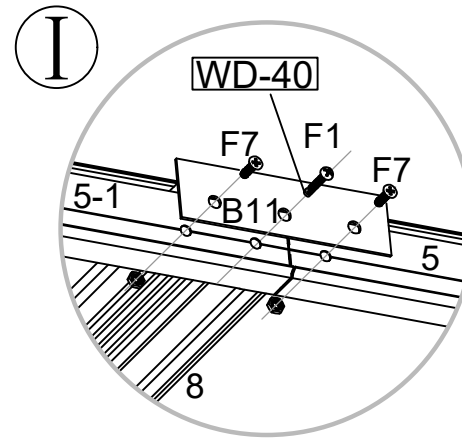
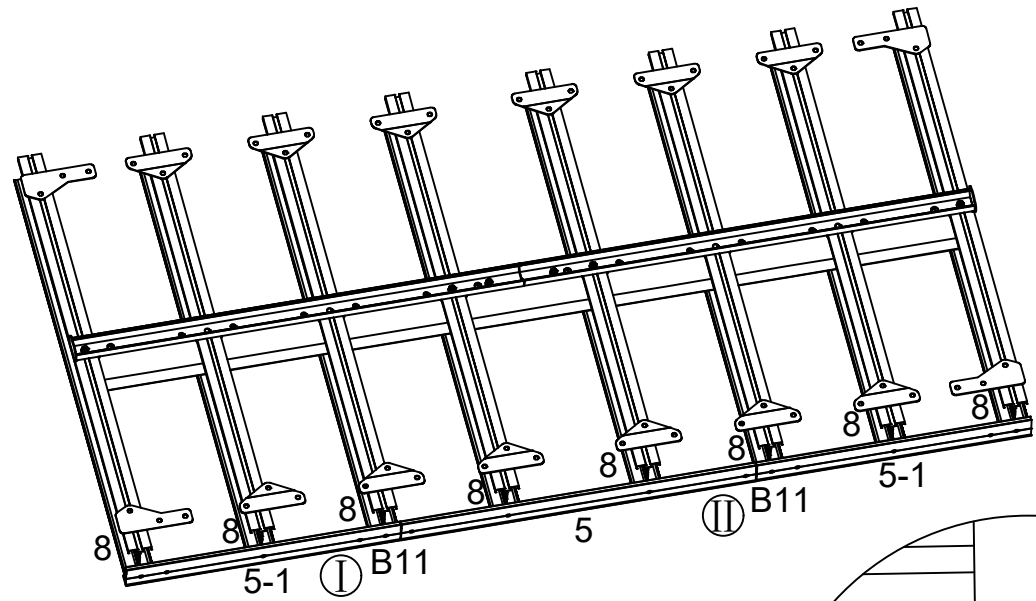
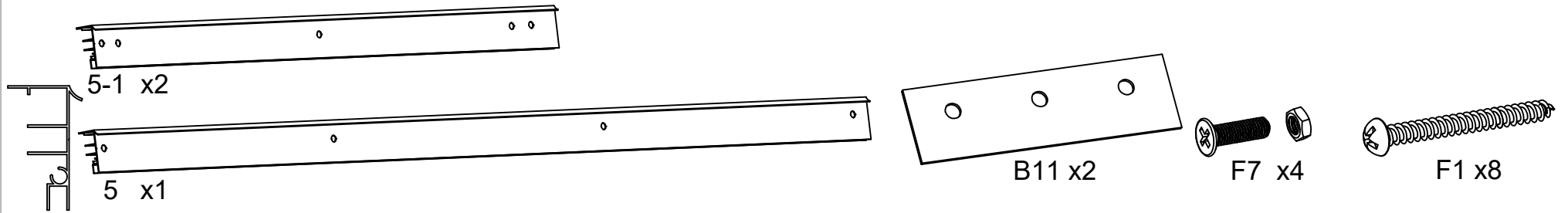


B6 x12

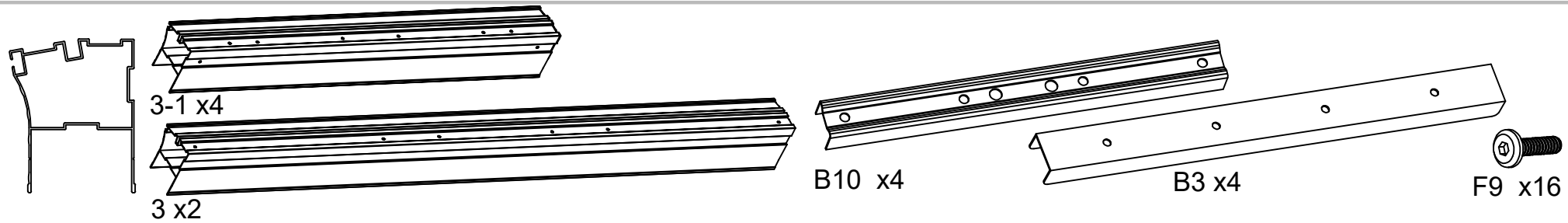


F4 x24

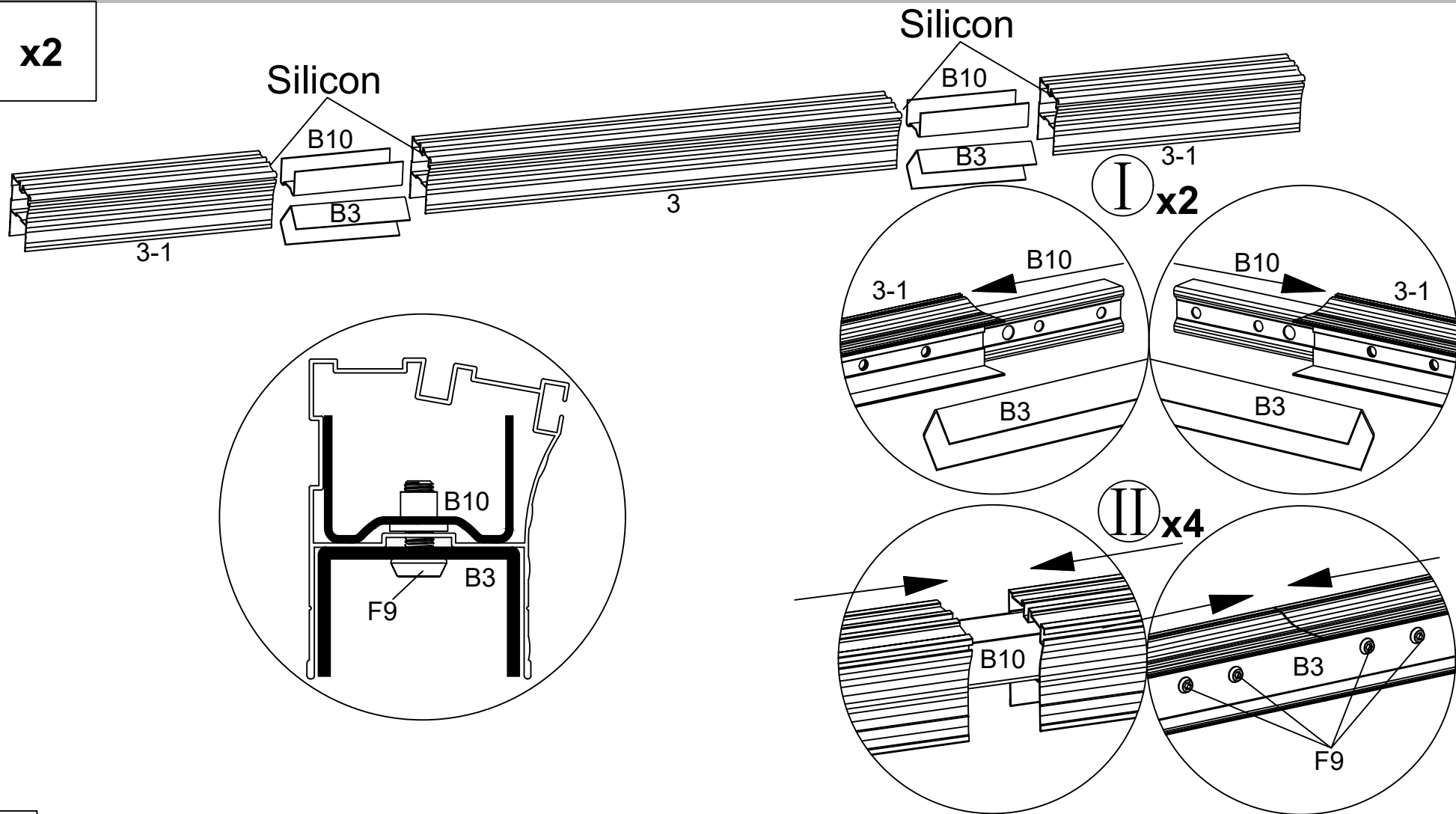


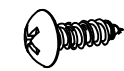
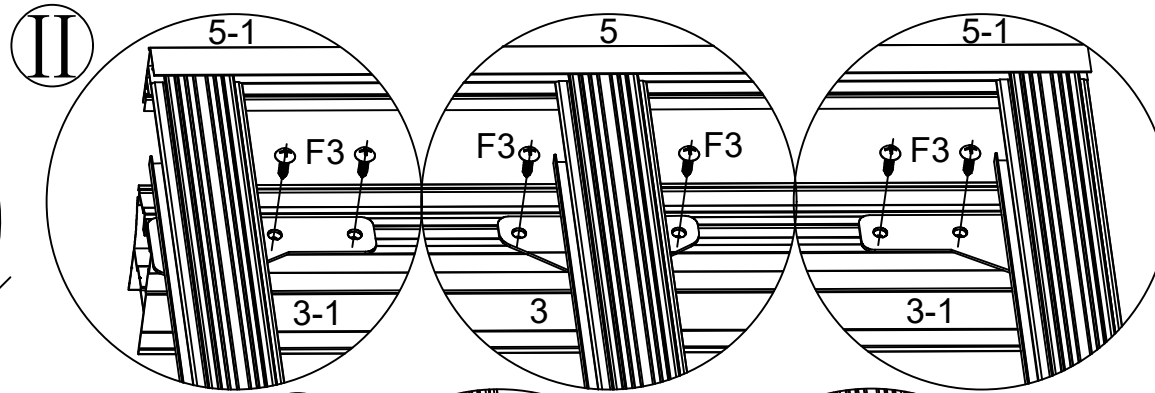
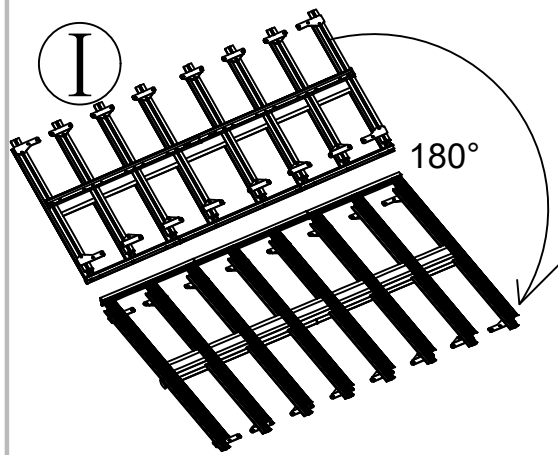


F1 will be easy to install by using lubricants

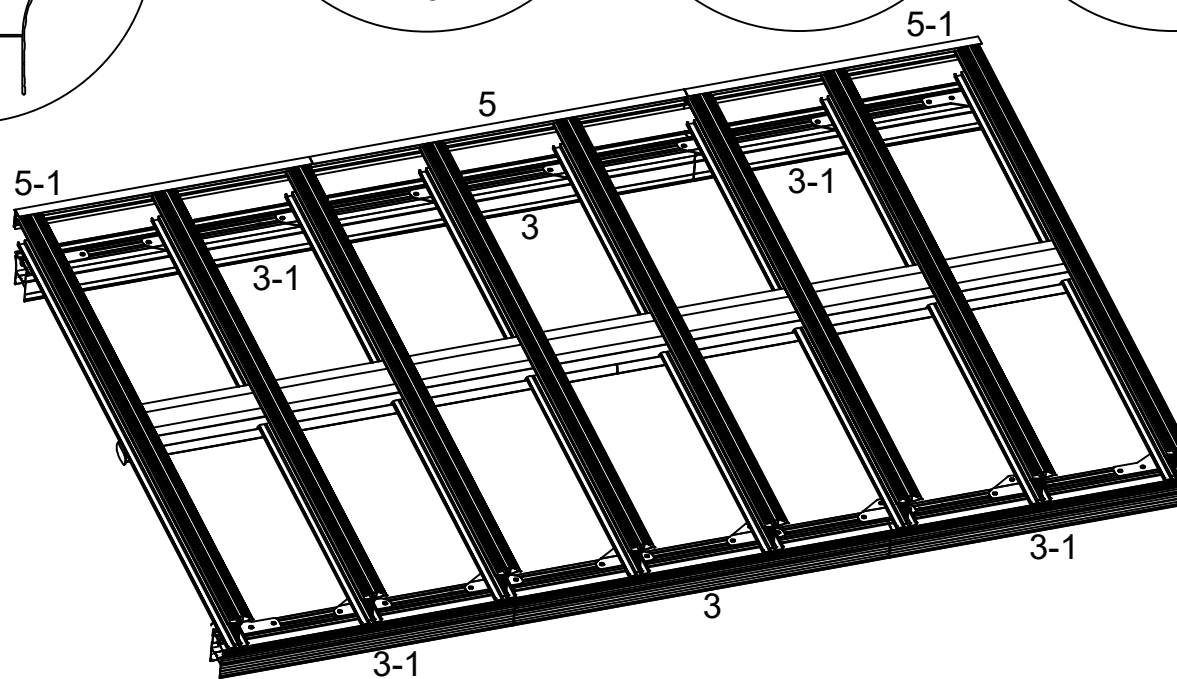
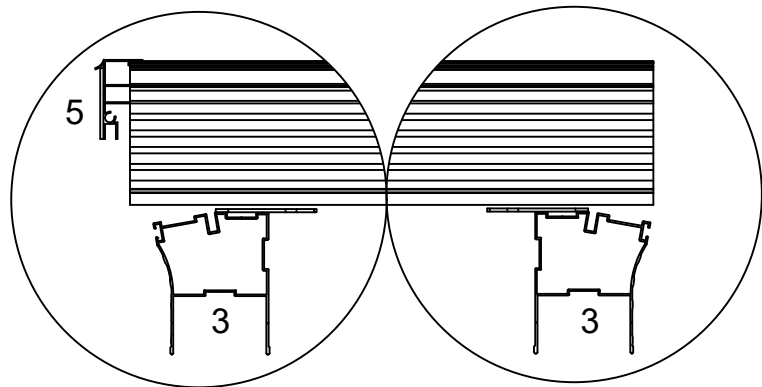
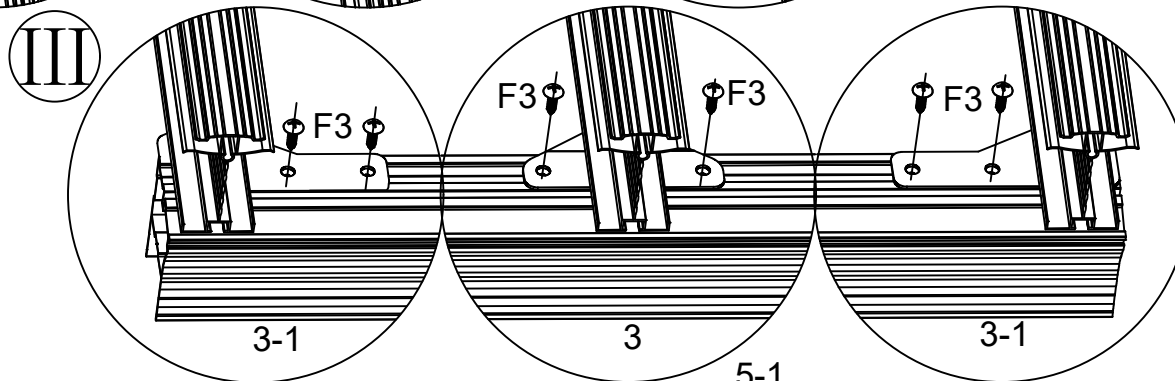


x2

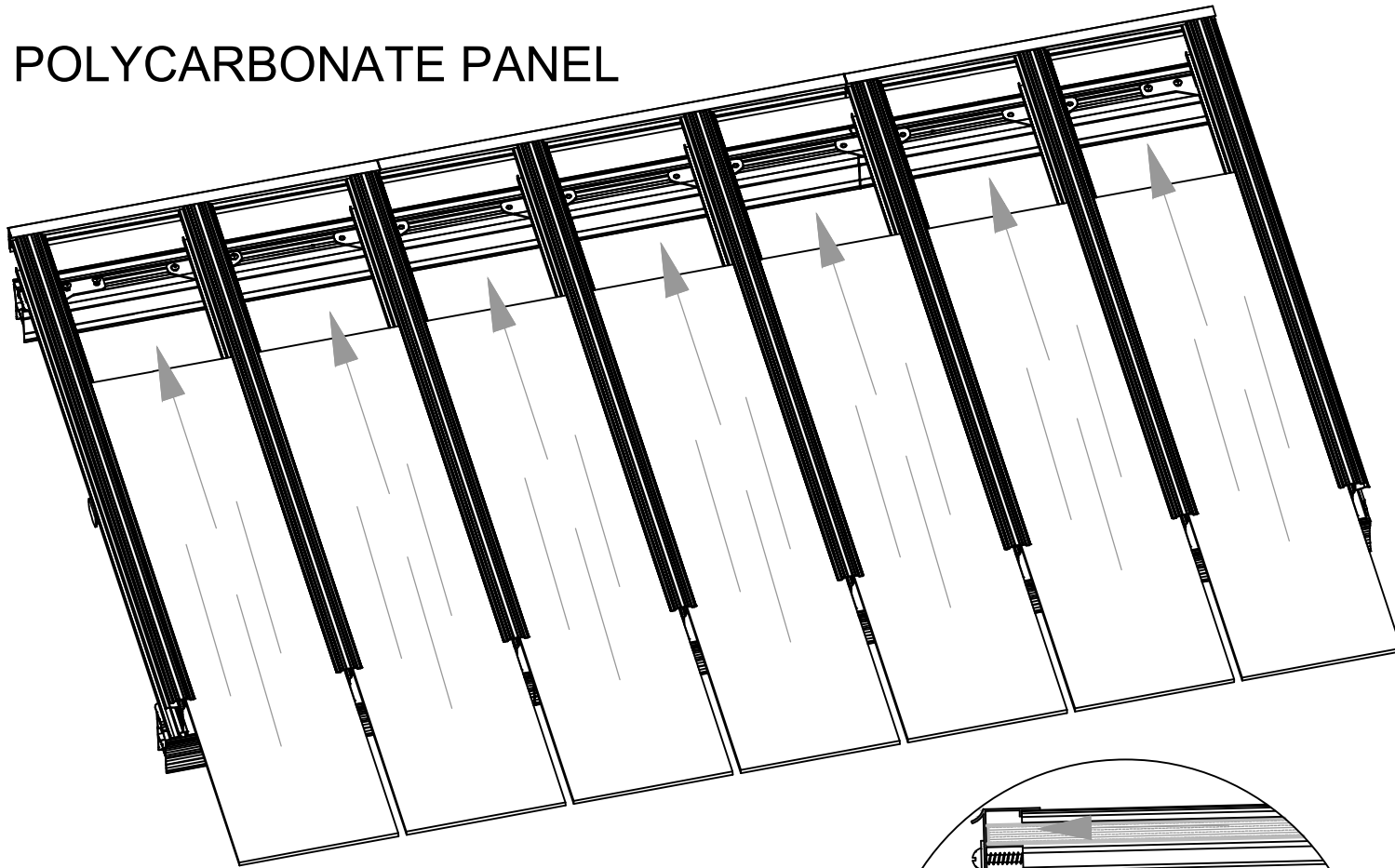




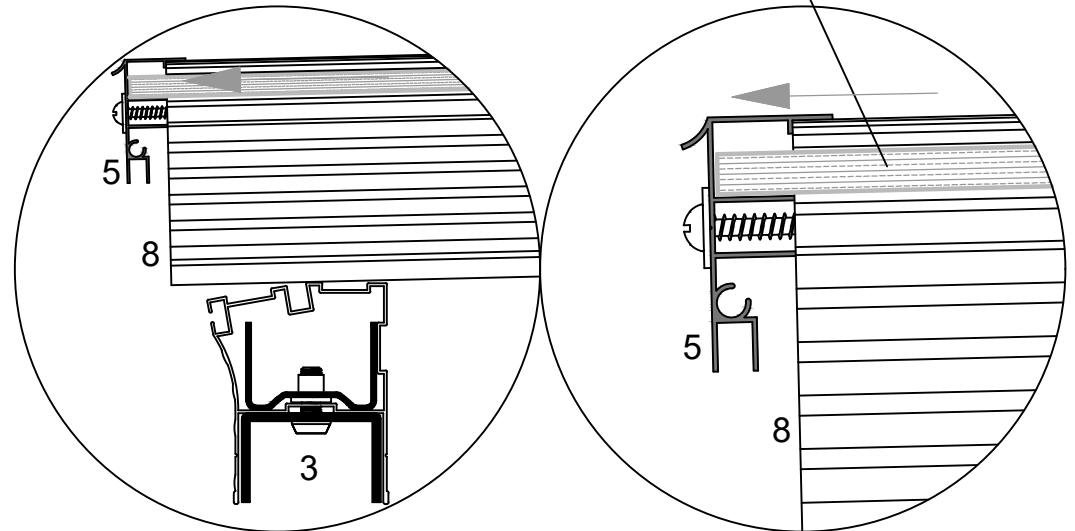
F3 x32

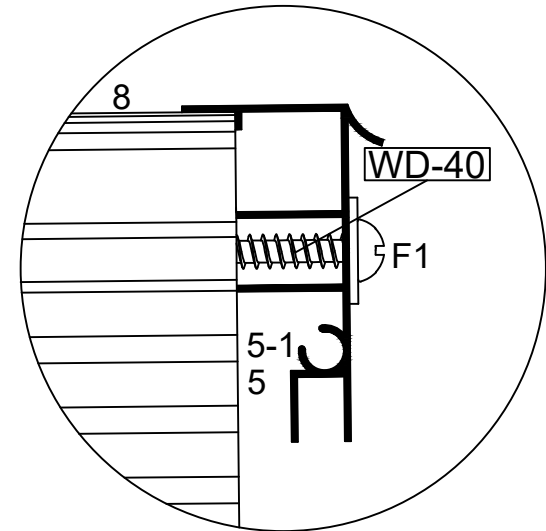
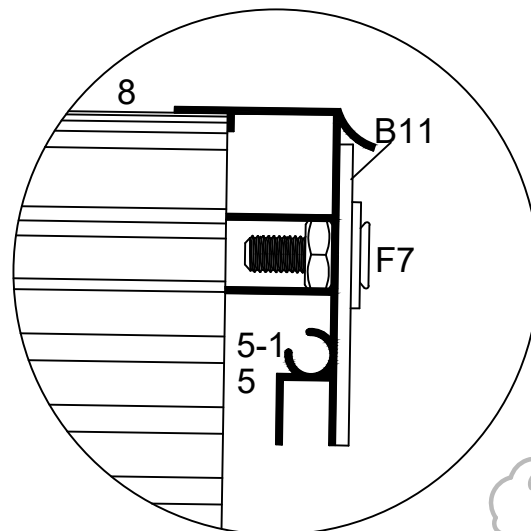
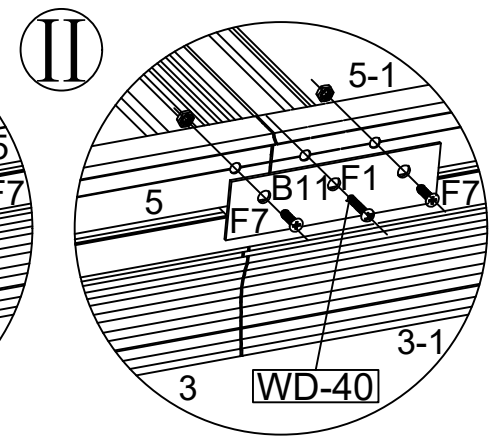
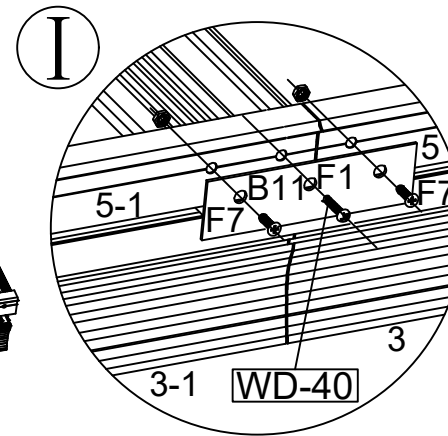
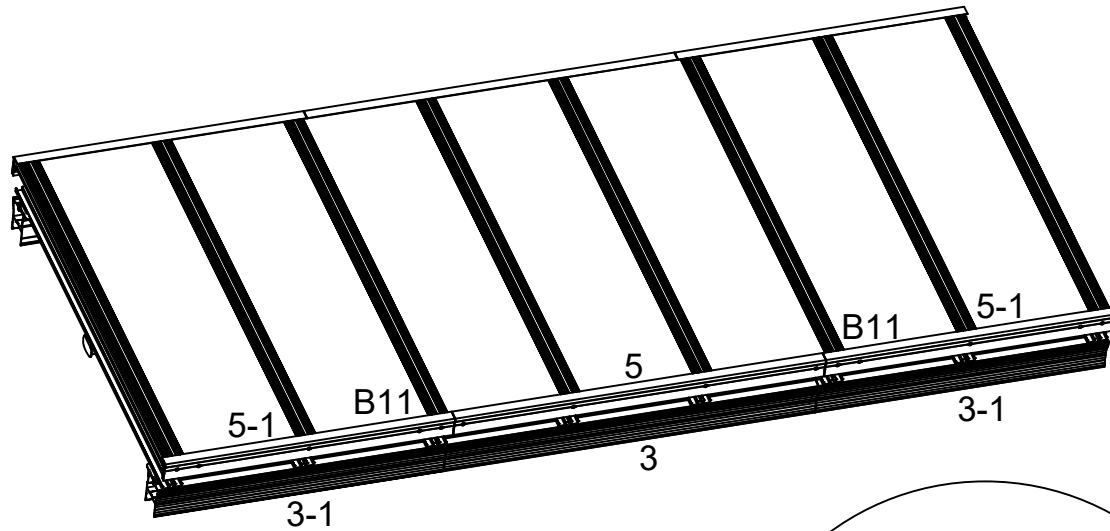
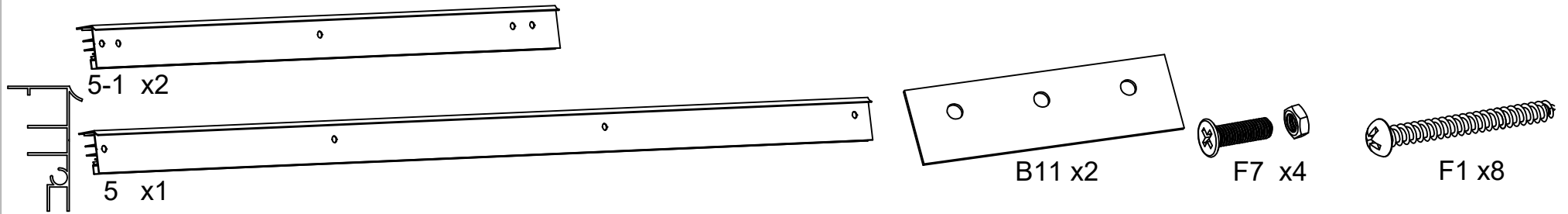


POLYCARBONATE PANEL

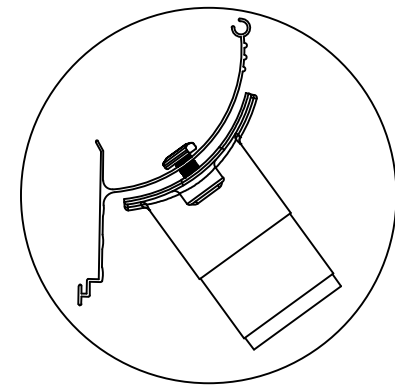
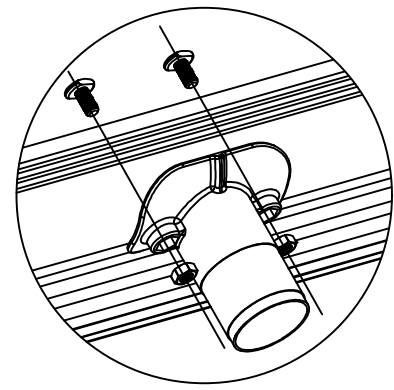
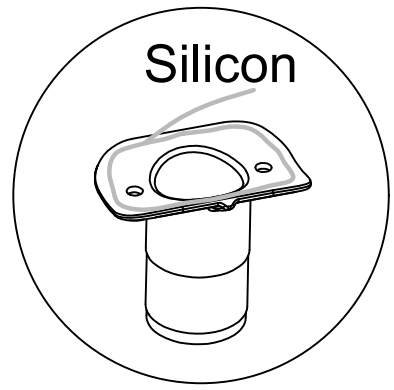
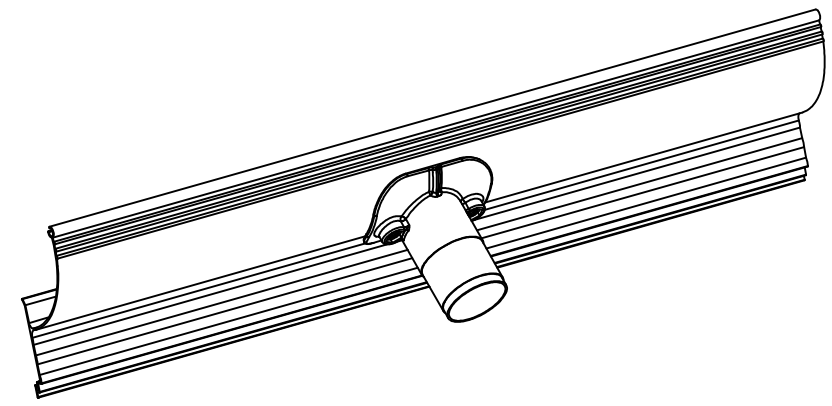
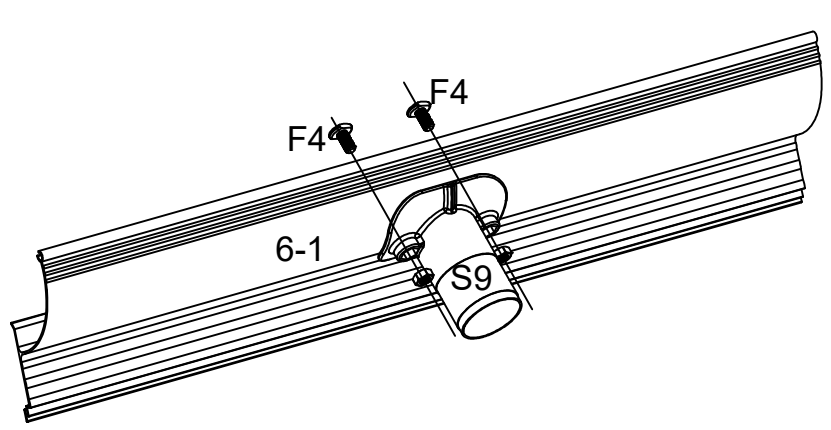
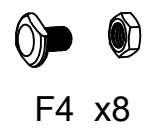
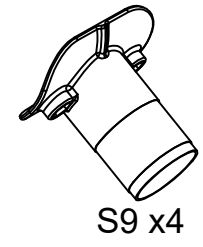
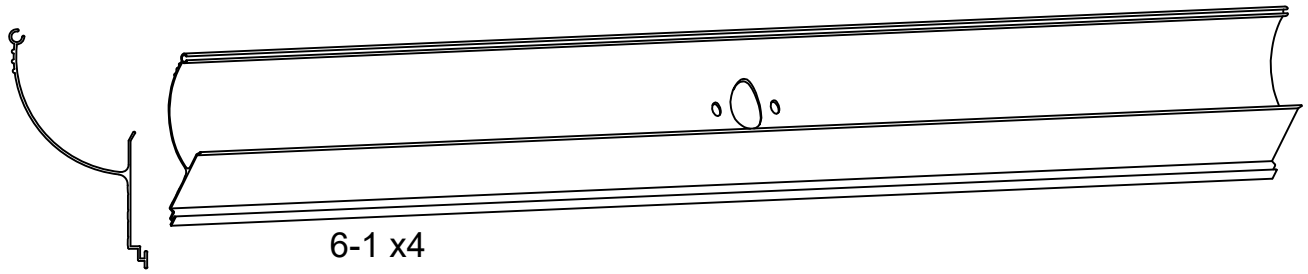


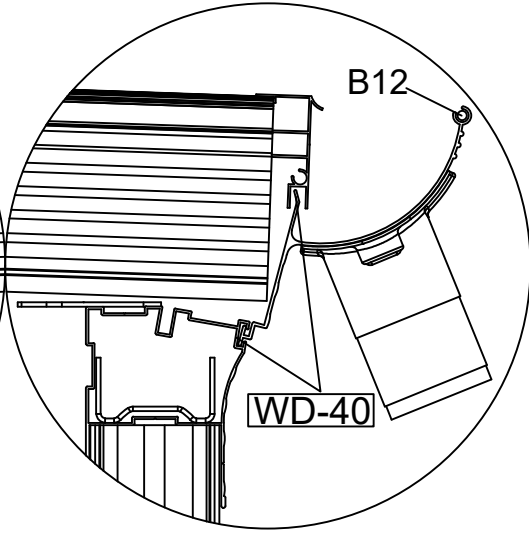
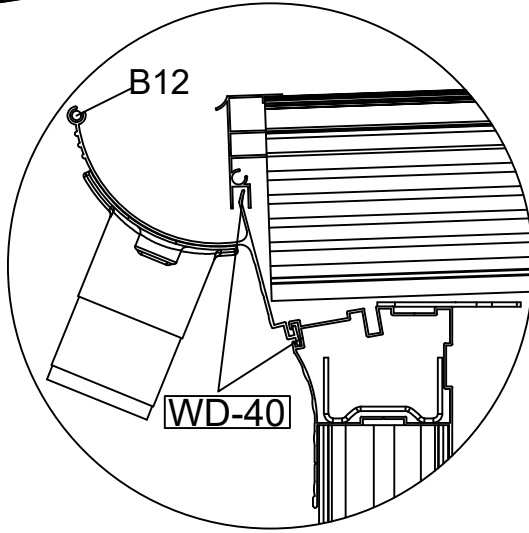
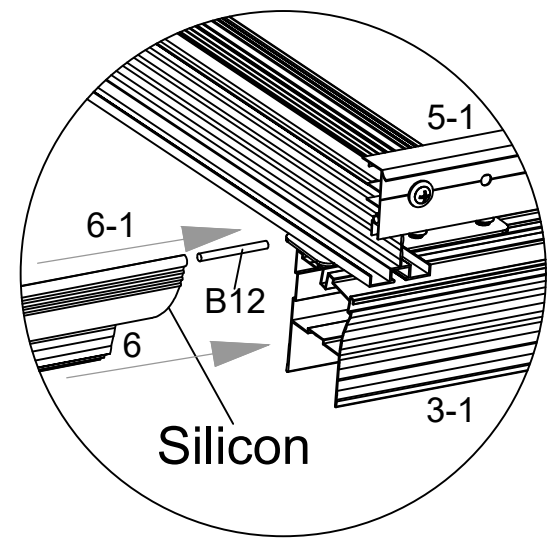
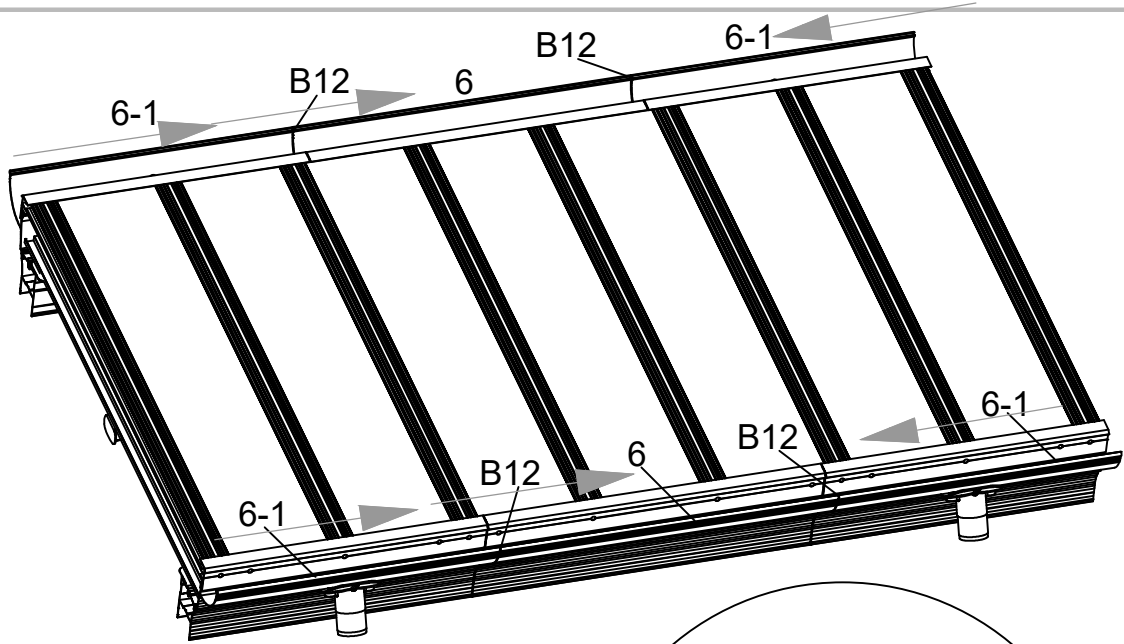
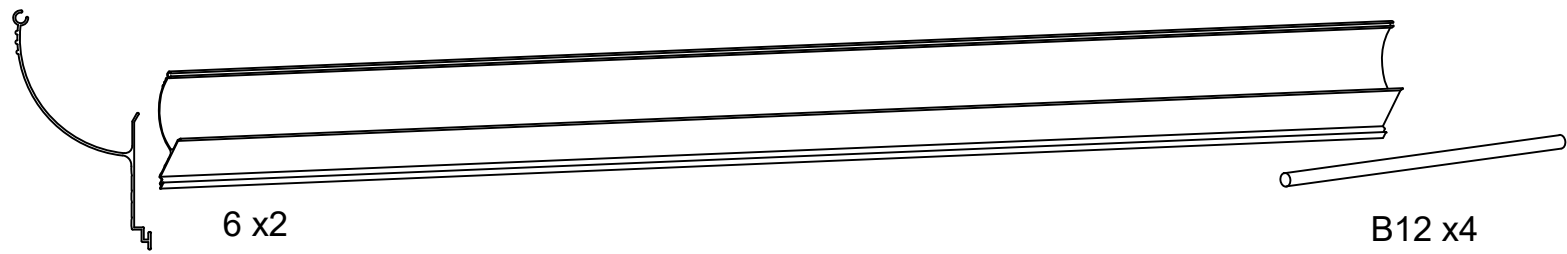
POLYCARBONATE PANEL

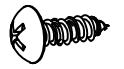
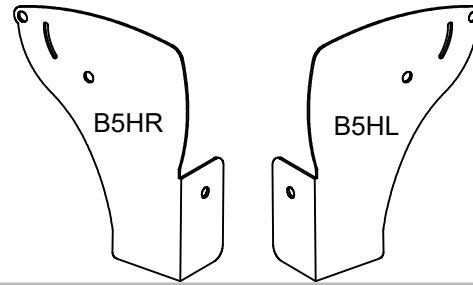
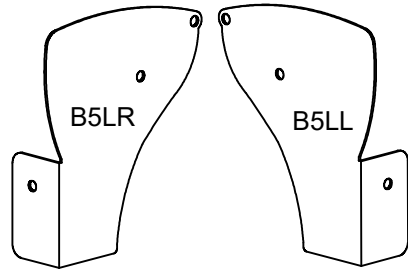




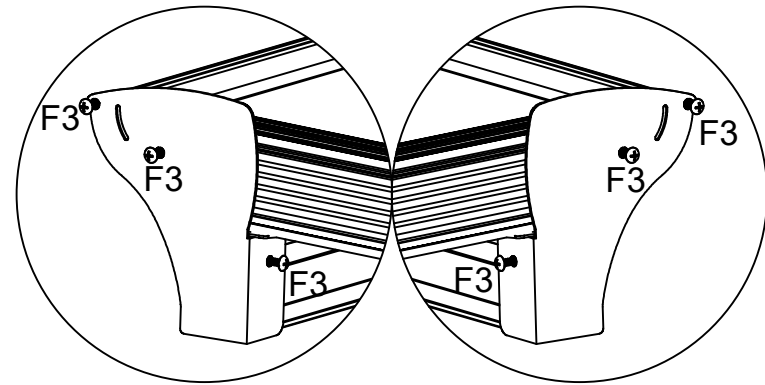
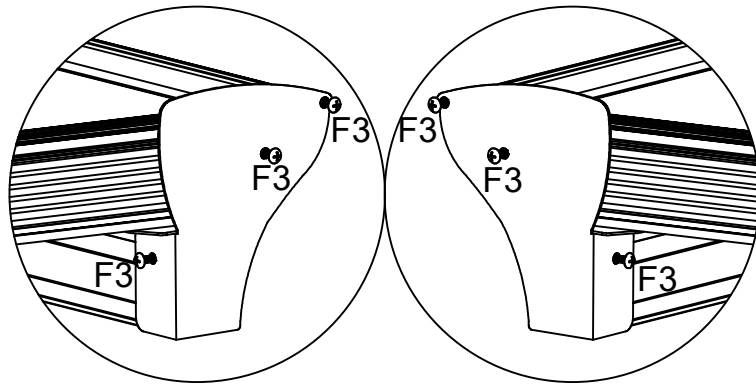
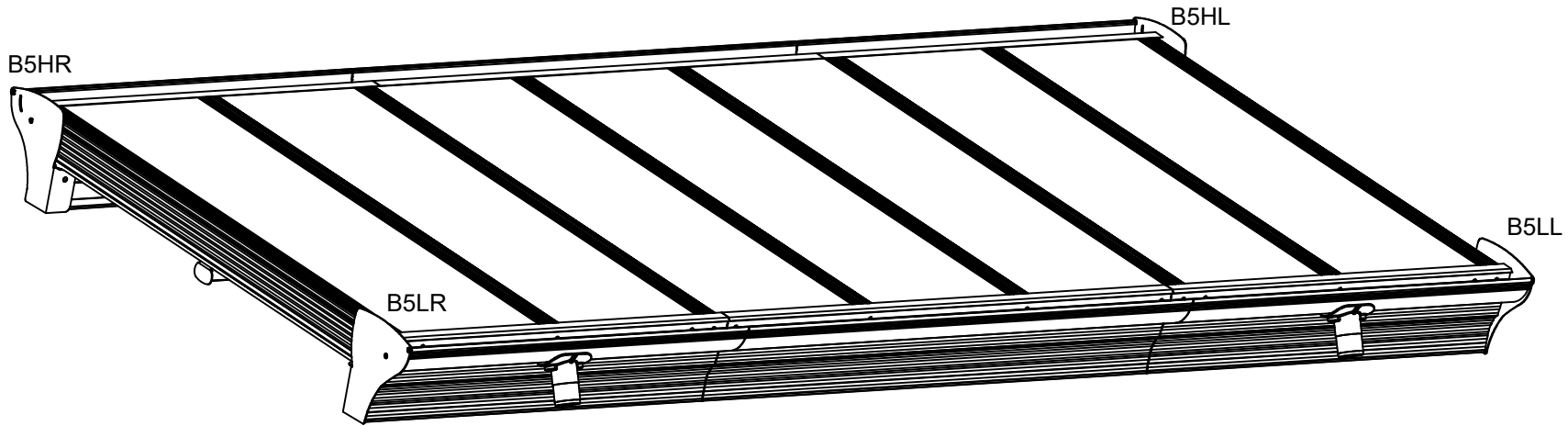
F1 will be easy to install by using lubricants

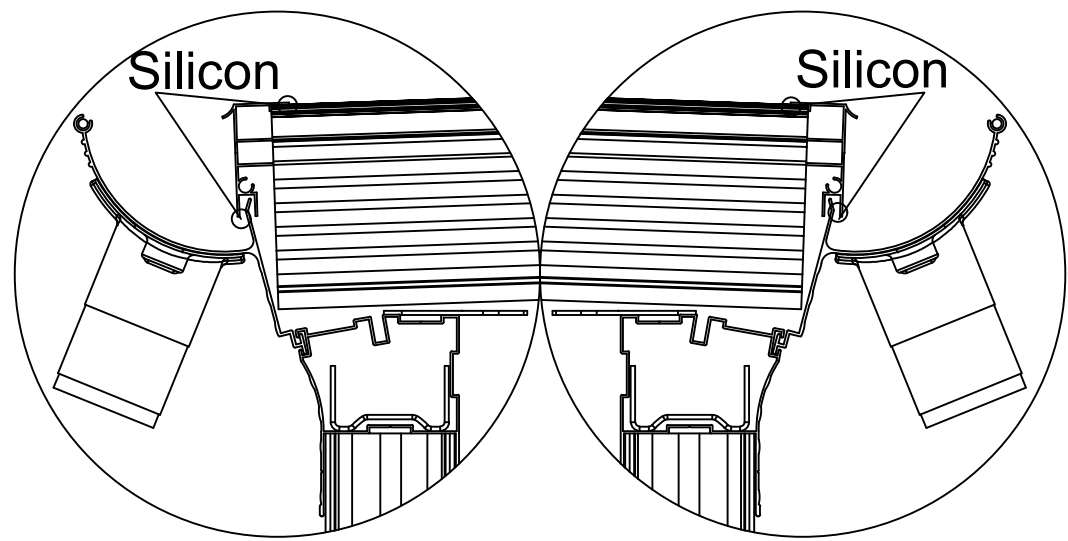
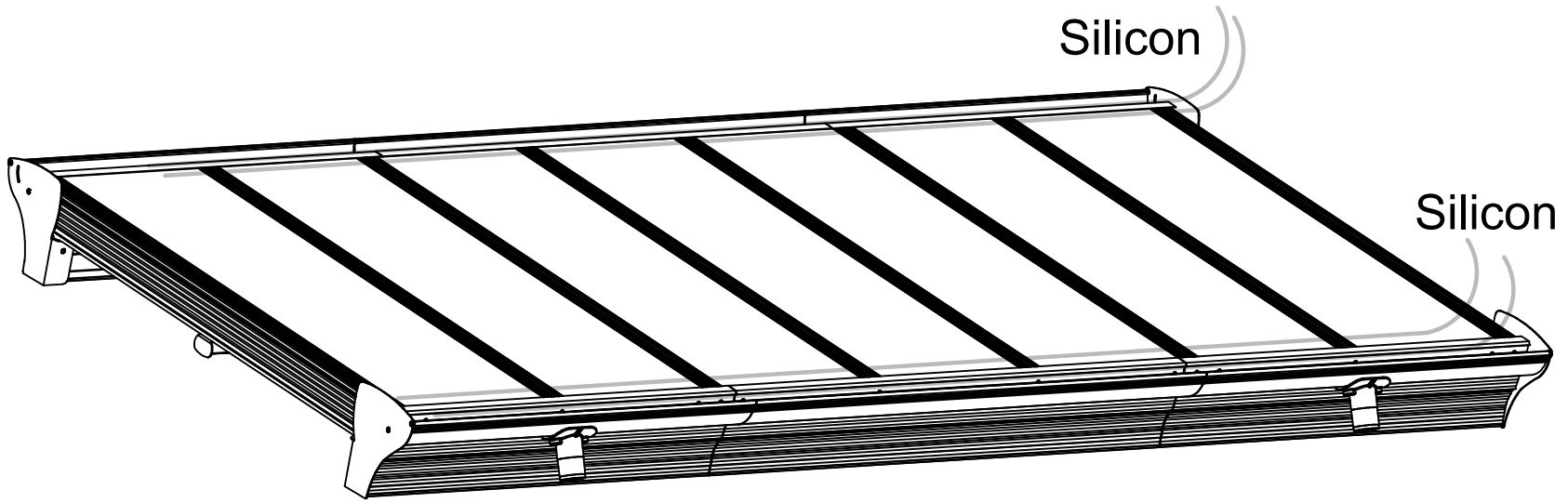




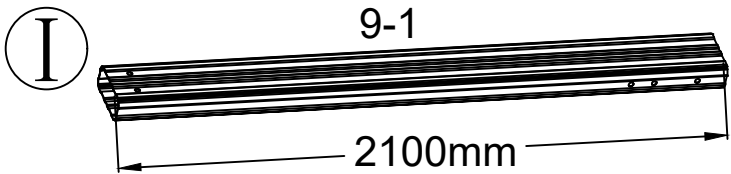
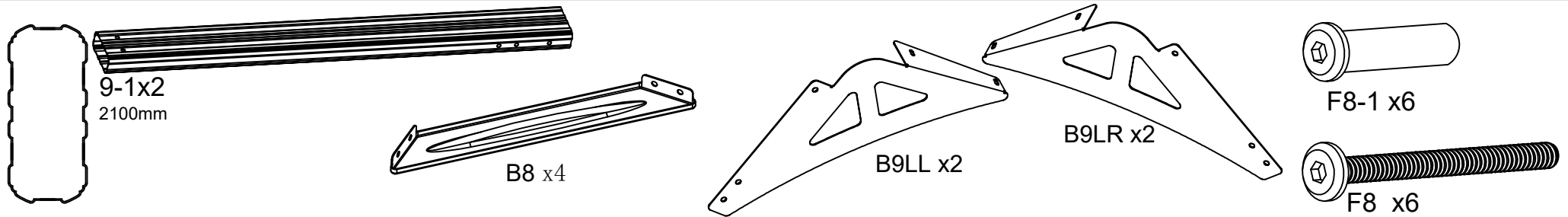


F3 x12



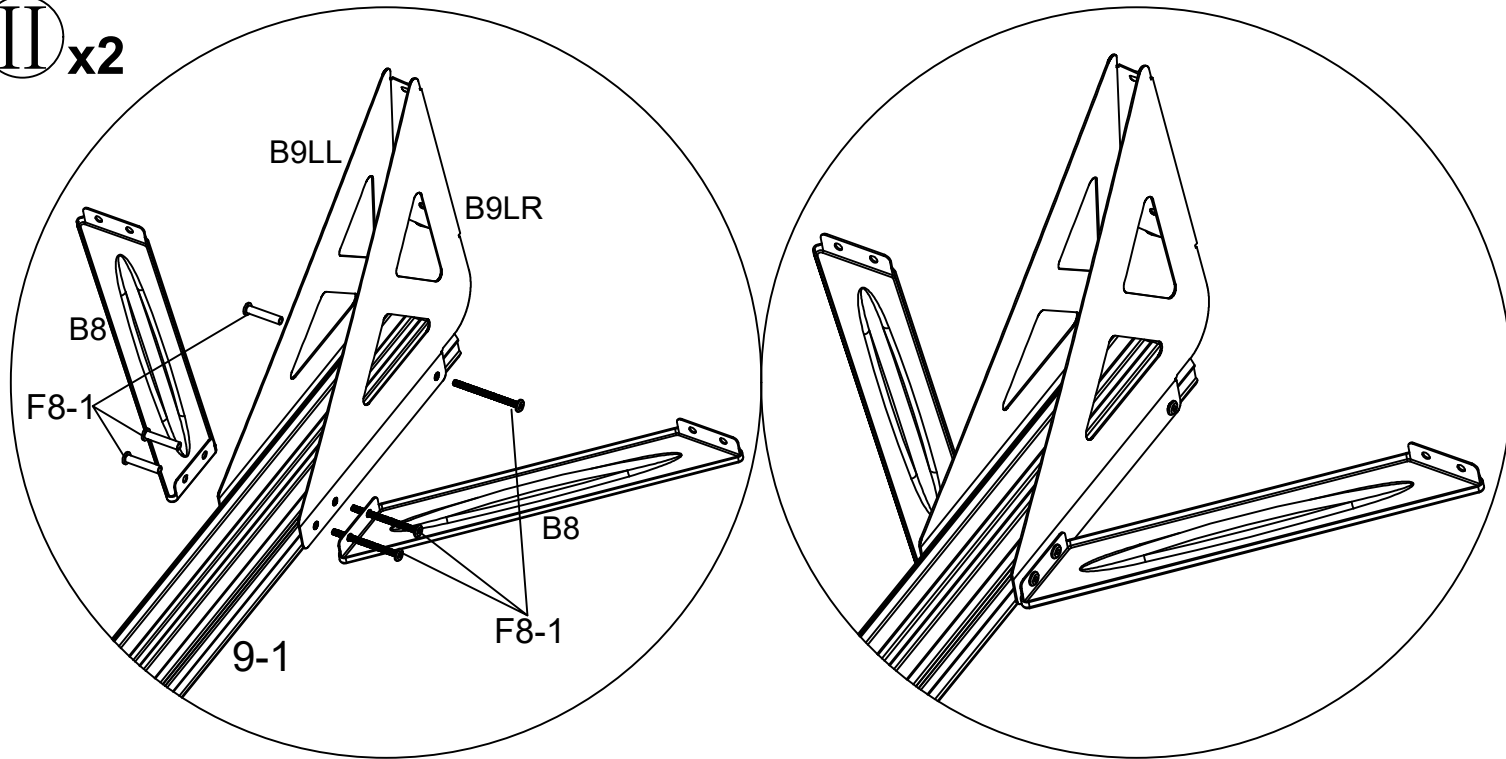


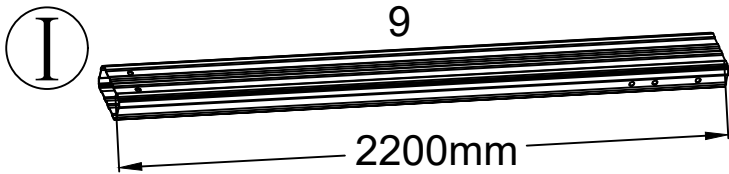
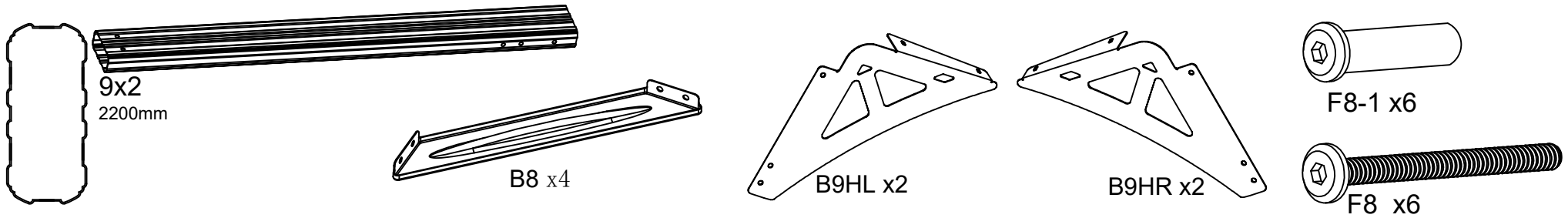
Recommendation: use silicone to fill the gap.



(NO.B9LL) is different from (NO.B9HL) and cannot be mixed.

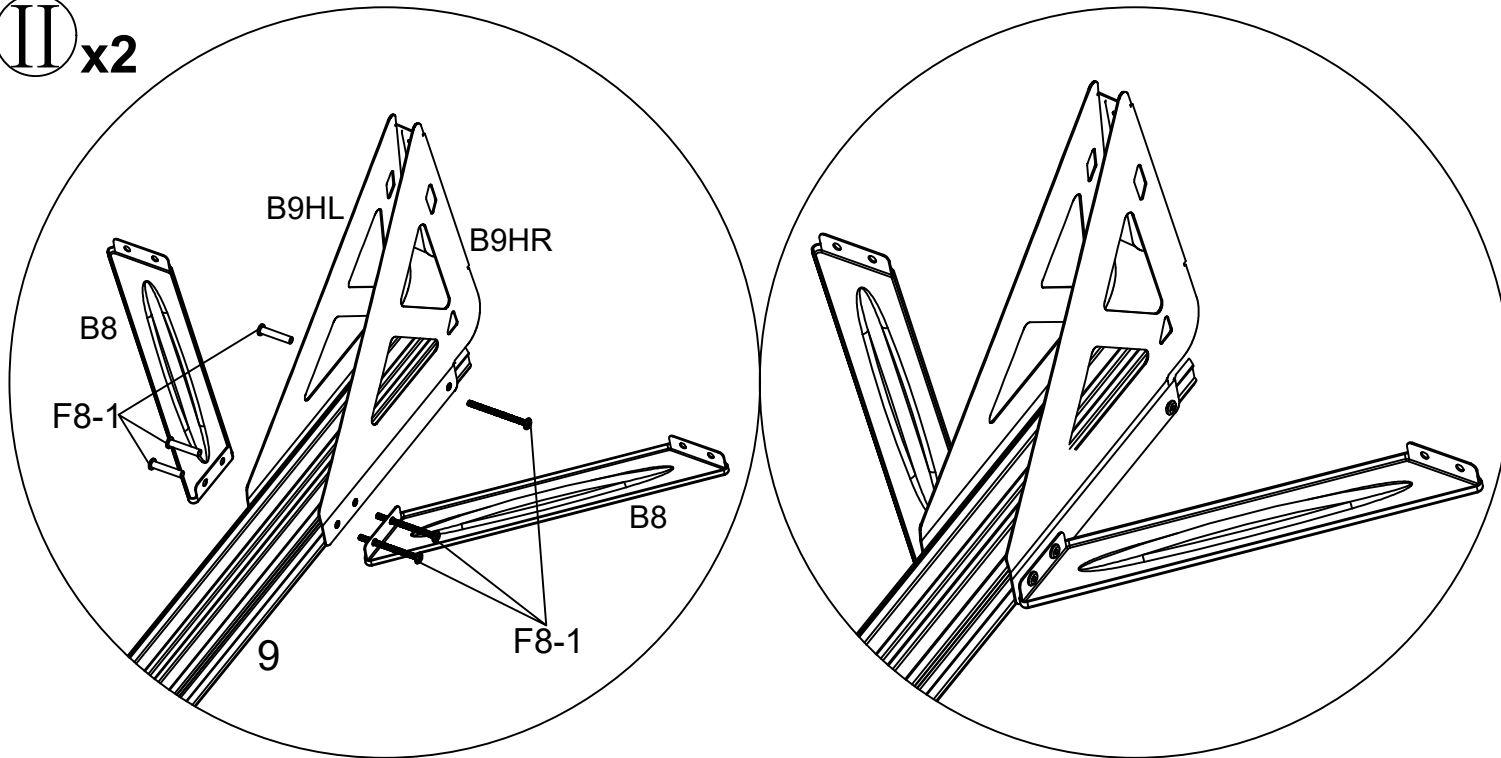
II x2

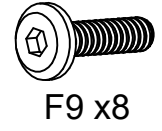
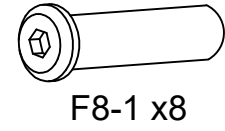
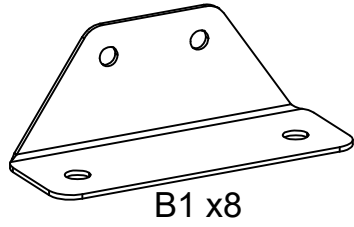




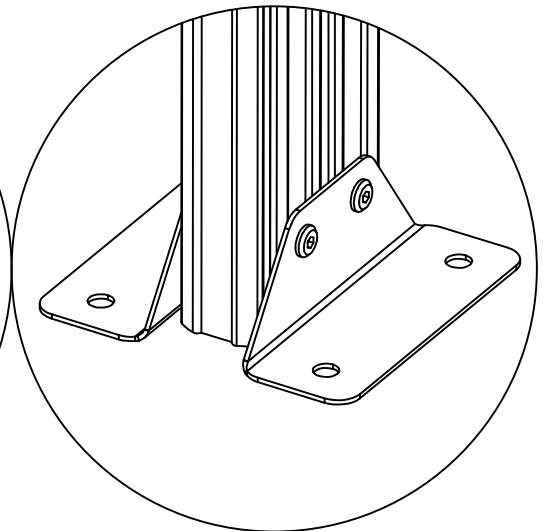
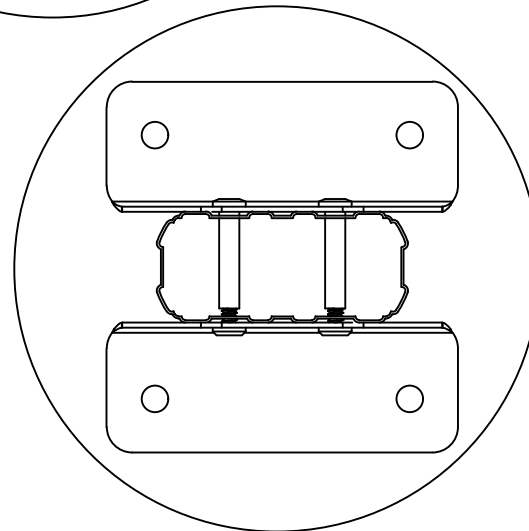
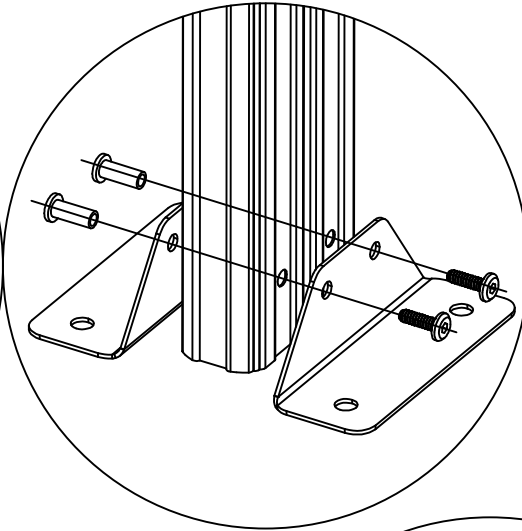
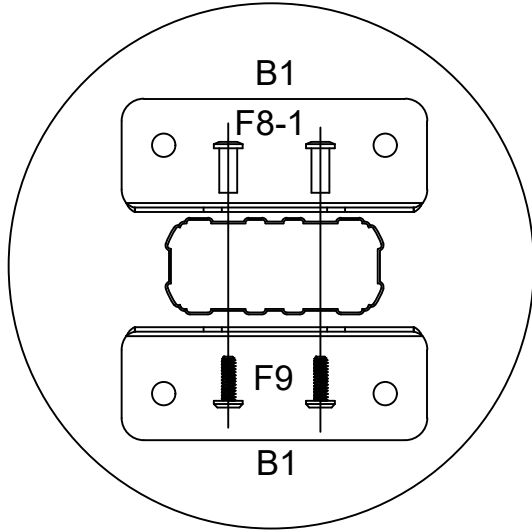
(NO.B9LR) is different from (NO.B9HR) and cannot be mixed.

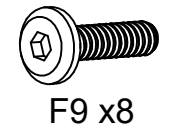
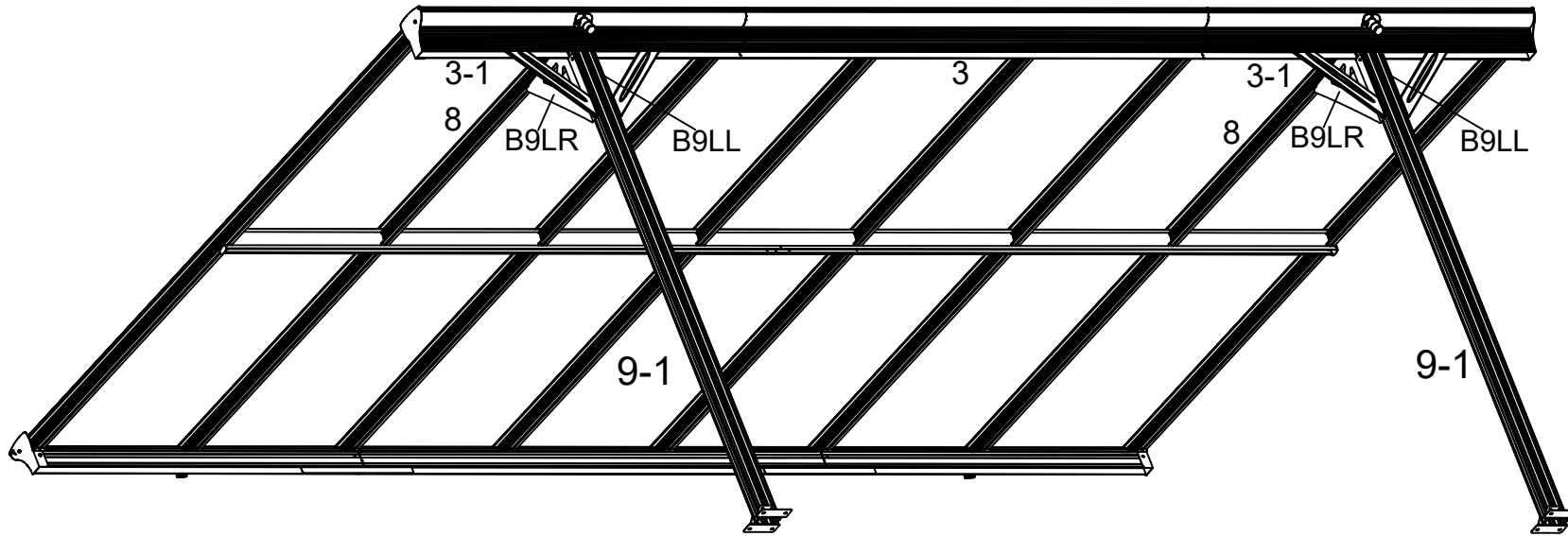
II x2



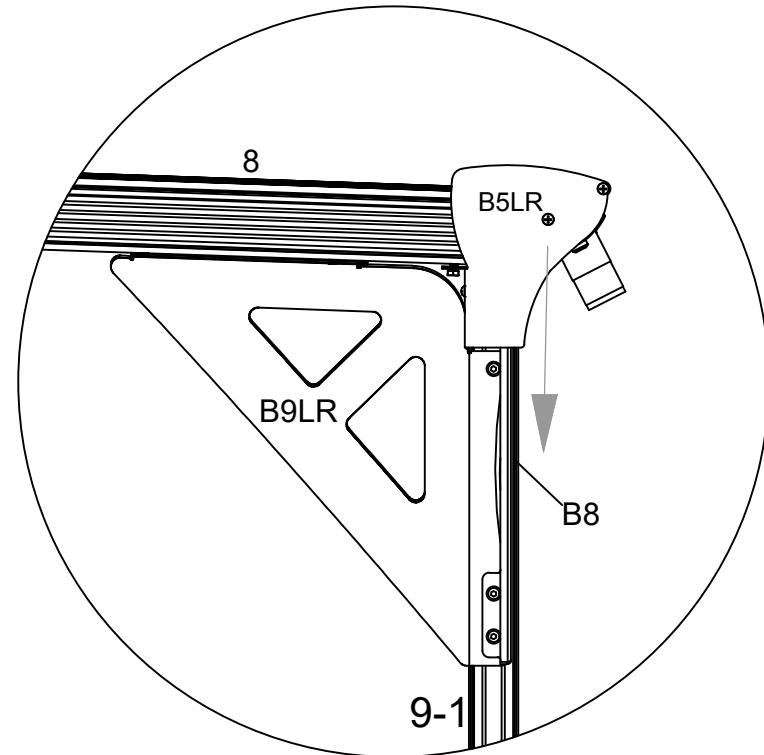
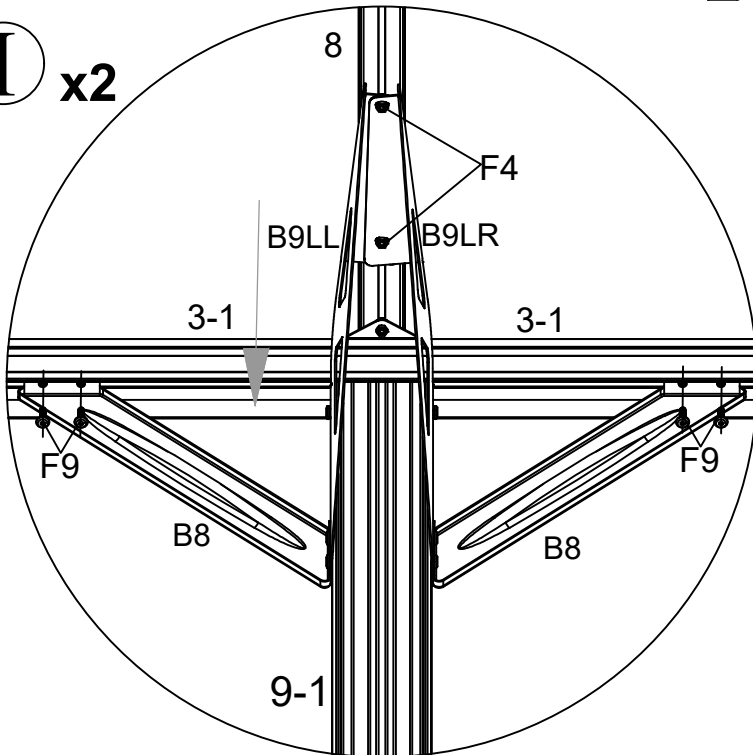


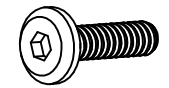
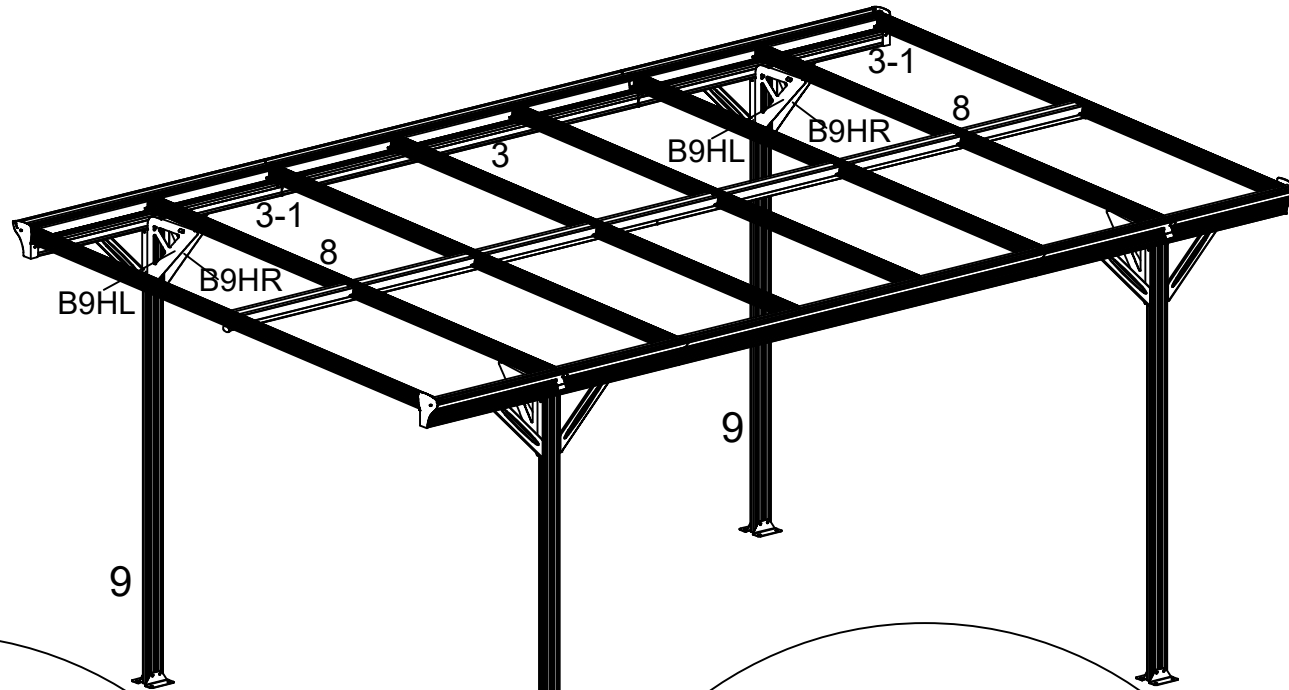
x4





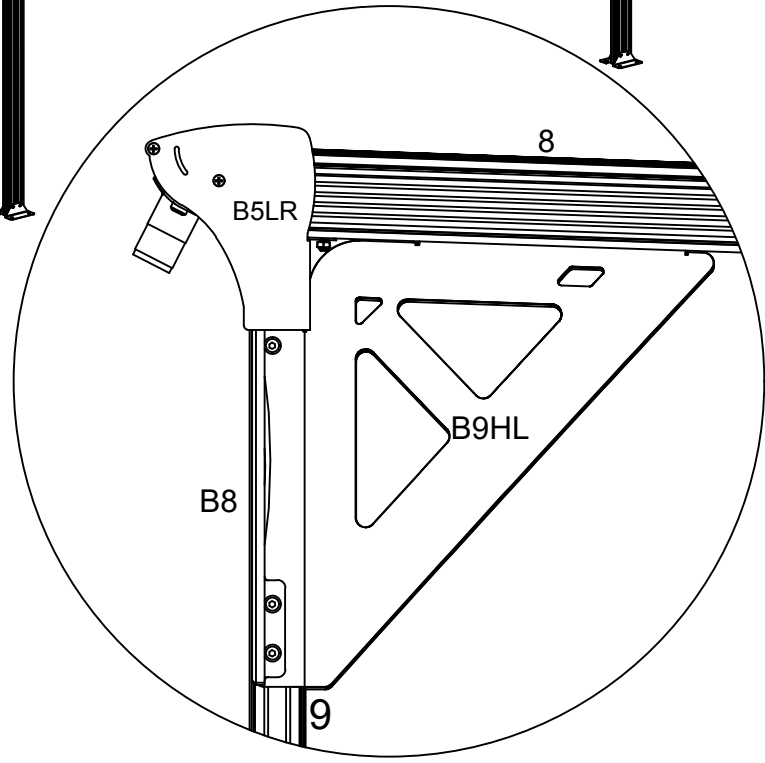
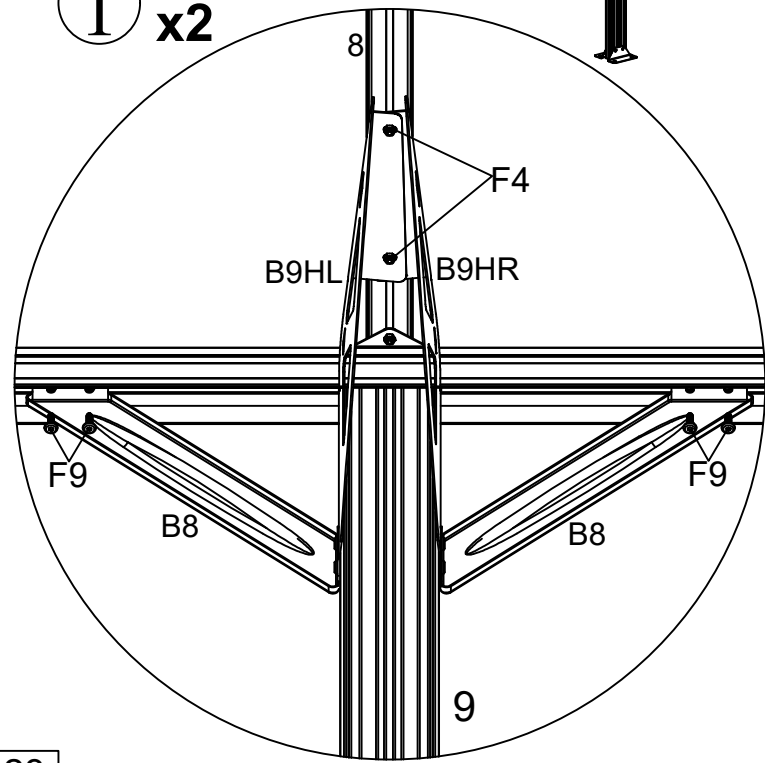
I x2

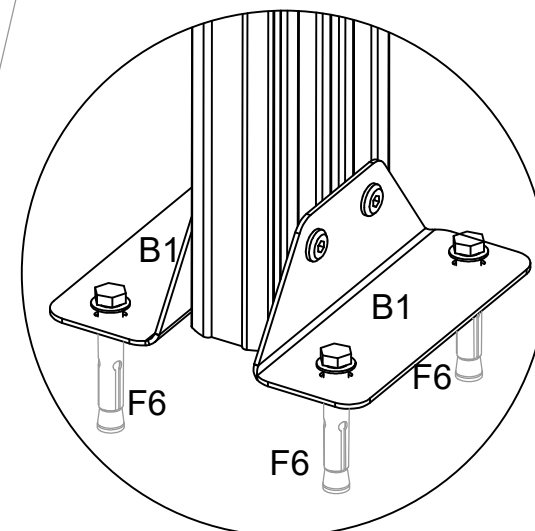
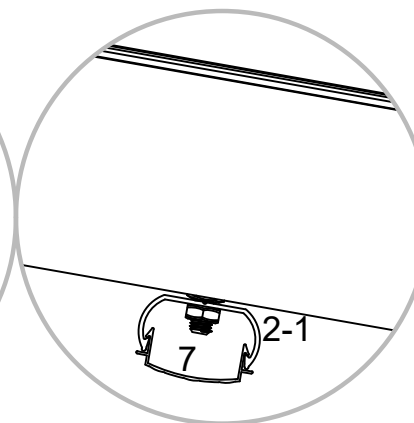
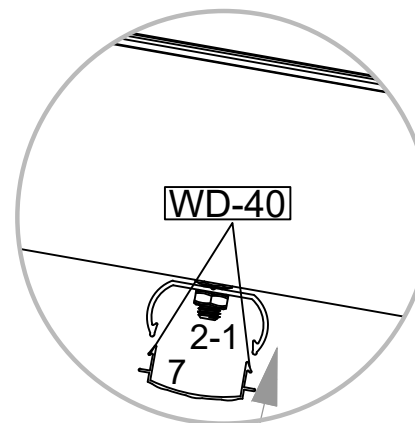
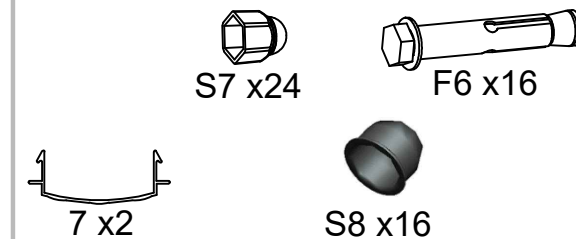
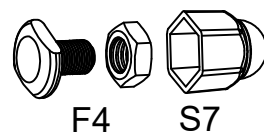
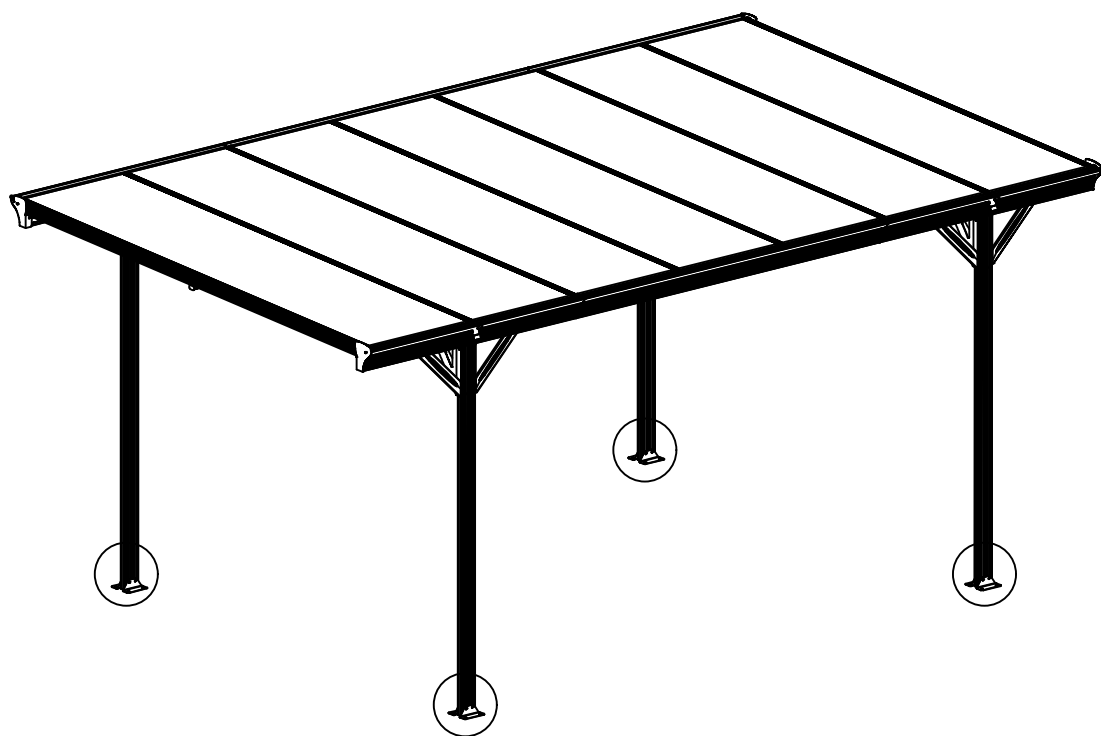




F9 x8

I x2





If the (NO.F6) expansion screw does not fit well with the ground, use the following method:

1. Dig a 400x400mm depth 400mm pit on the ground
2. The concrete is poured into the pit at a position of 200mm, waiting for the concrete to solidify safely.
3. Place the column of the shed into the pit and use the expansion screw.
4. Fill the concrete and ground level.
5. Keep the column upright.



Cover all F6, tapping it with wooden hammer ensure it will not fall off.

Maintenance:

In a timely manner the centralizer skeleton.

1.If the ground not level off, loose soil layer thickness is differ, Aluminum carport may tilt to one end, once found, should be timely the centralizer, in case of deformation.

The shed may be slant when facing the un-level ground or loose soil layer, please righting the shed urgently to avoid deformation

2.Prevent increased loading-weight artificially.

Don't let any lentils, towel gourd, pumpkin and climbing fruits and vegetables to grow up on the canopy, otherwise if it is windy and rainy, skeleton is unbearable, and easy to cause skeleton crack, broken, collapse Avoid kinds of vine plant climbing on the canopy, or it can not bearing for the wind and heavy rain, broken,collapse may accured.

The sunshine board maintenance:

1.In the using canopy, note do not use sharp objects collision films, avoid to cut films. Be careful not collide with a sharp object films,in order to avoid scratched films when using.

2.If films appear rupture, can use glue to repair or repair with transparent tape. Available polyurethane adhesive for repairing. Often keep the films clean, generally the PC sheet replacement using 6 ~ 10 years later, so as not to affect the light transmittance. Using transparent tape adhesive to patch cracks of film when any broken in case .Keep clean films,it will better replaced by new panels after 6-10years to avoid affect the Light transmittance

3.The flame retardant in polycarbonate material, but still need to stay away from fire, avoid softening deformation.

As Polycarbonate is fire-retardant materials, please stay away from the fire ,to avoid softening deformation.

Frame maintenance:

1.The frame is aluminum alloy structure, if there is a white problem can wipe with a cloth in time, under high temperature and wet environment.

All frames are made of alloy aluminum. White spots may appeared under wet-hot environment, just wipe it.

2.If there is any distortion calibration shall be carried out in a timely manner in order to avoid sunshine board out, If Polycarbonate out of frame, please removed

screws. Carried out in accordance with the manual installation steps, and partial restoration.Any distortion calibration shall be carried out in a timely to avoid the

sunshine board fall off. Repair work should be according to the IM.

3.If connection piece serious rust, should change in time the new screws and connectors to ensure connection parts are firm

Please replaced the serious rust screws and connection for stable.

How to do in bad weather:

1.If there is lightning may not stay in the shed, because aluminum alloy skeleton is conductive and will be caused serious consequences

Do not stay under shed when lightning.

2.Wind power reaches 70 km/h should be prepared ready to defense equipment, fixed Aluminum carport . Fixed method with a strong rope or cable connect the cornice

work four Angle of anchor block inserted into the soil or tied in a nearby tree stem > 10 cm in diameter. Pay attention to the weather turns good dismantled after the rope or cable to avoid injury and pedestrian.

Please get defensive measures when facing heavy wind (abt 70km/H). Reinforce by steel rope and anchors which insert into ground or Strapping on a big tree

3.Clear in time at the top of the deciduous leaves led to the decrease of the canopy transparency, heat preservation effect is reduced

To avoid Aluminum carport s reduced transparency, heat preservation effect is reduced, please clean up the leaves at the top.

4.During snow, removal work in time, if not timely to snow removal, Use solid wooden plate supporting internal intermediate point and middle position of

polycarbonate, prevent snow collapsing the Aluminum carport .

To prevent collapsing by snow, please remove the snow in time,Or support by a wooden stick support in the center of the sunshine board for reinforcement