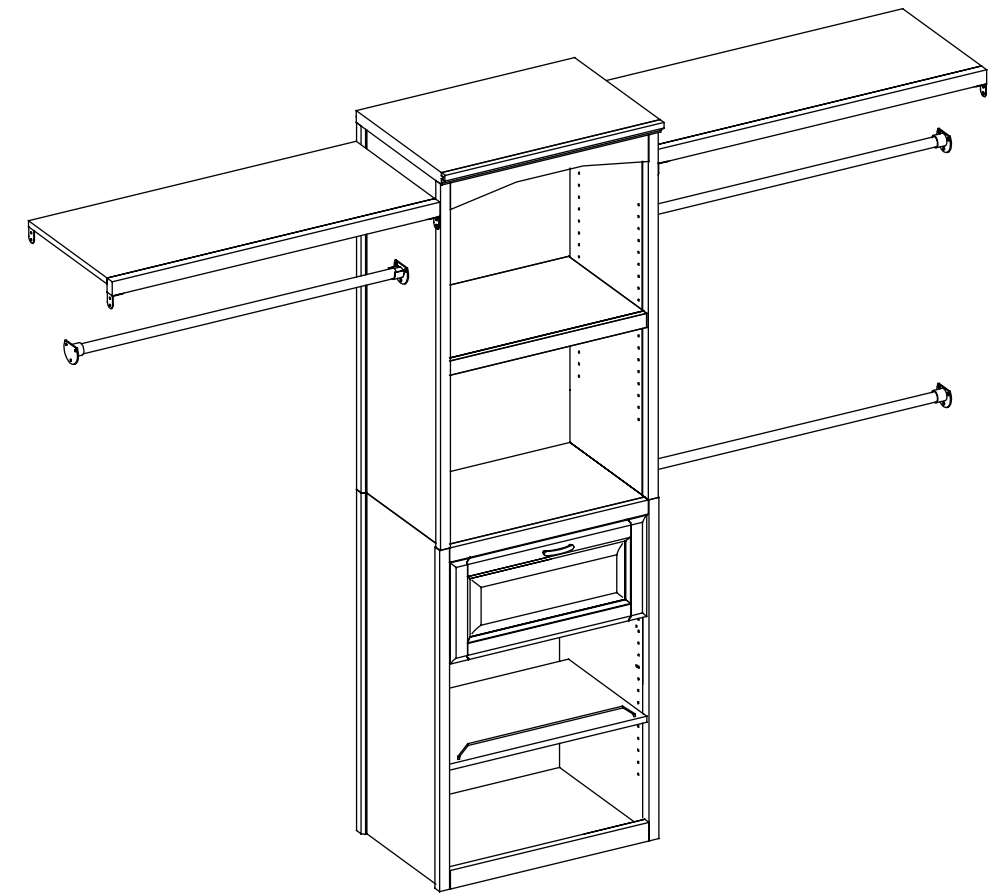


allen + roth®

welcoming • sophisticated • inspiring



allen + roth® is a registered trademark of LF, LLC. All Rights Reserved.

ITEM #5130289, 5130290

Wood Closet Kit

MODEL # LWSCSC, LWSCSBW

Français p. 22

Español p. 43

ATTACH YOUR RECEIPT HERE

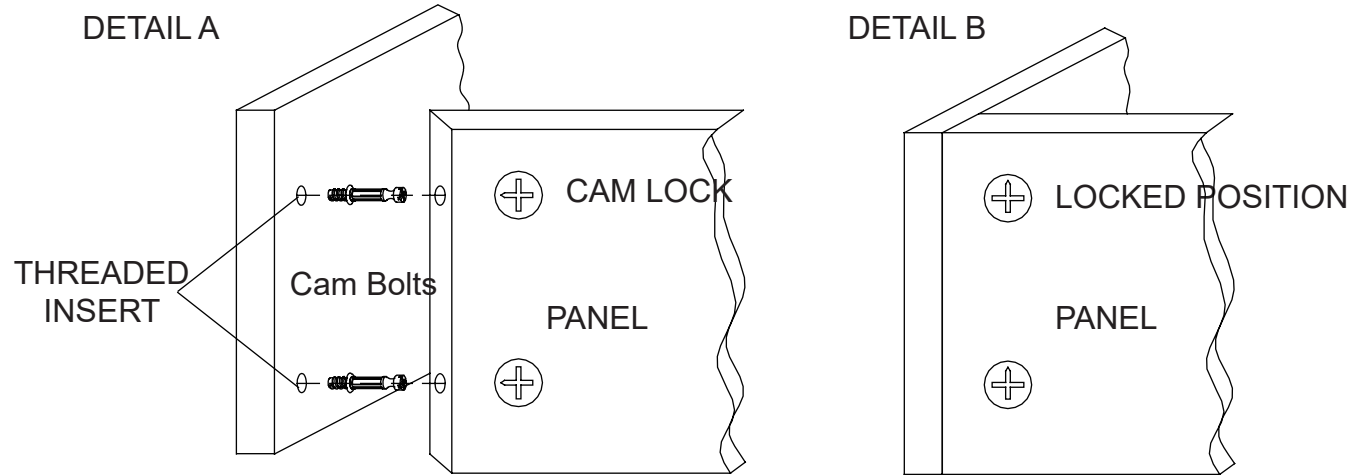
Serial Number _____ Purchase Date _____

Questions, problems, missing parts? Before returning to your retailer, call our customer service department at 1-866-439-9800, 8 a.m. - 8 p.m., EST, Monday - Friday.

TABLE OF CONTENTS

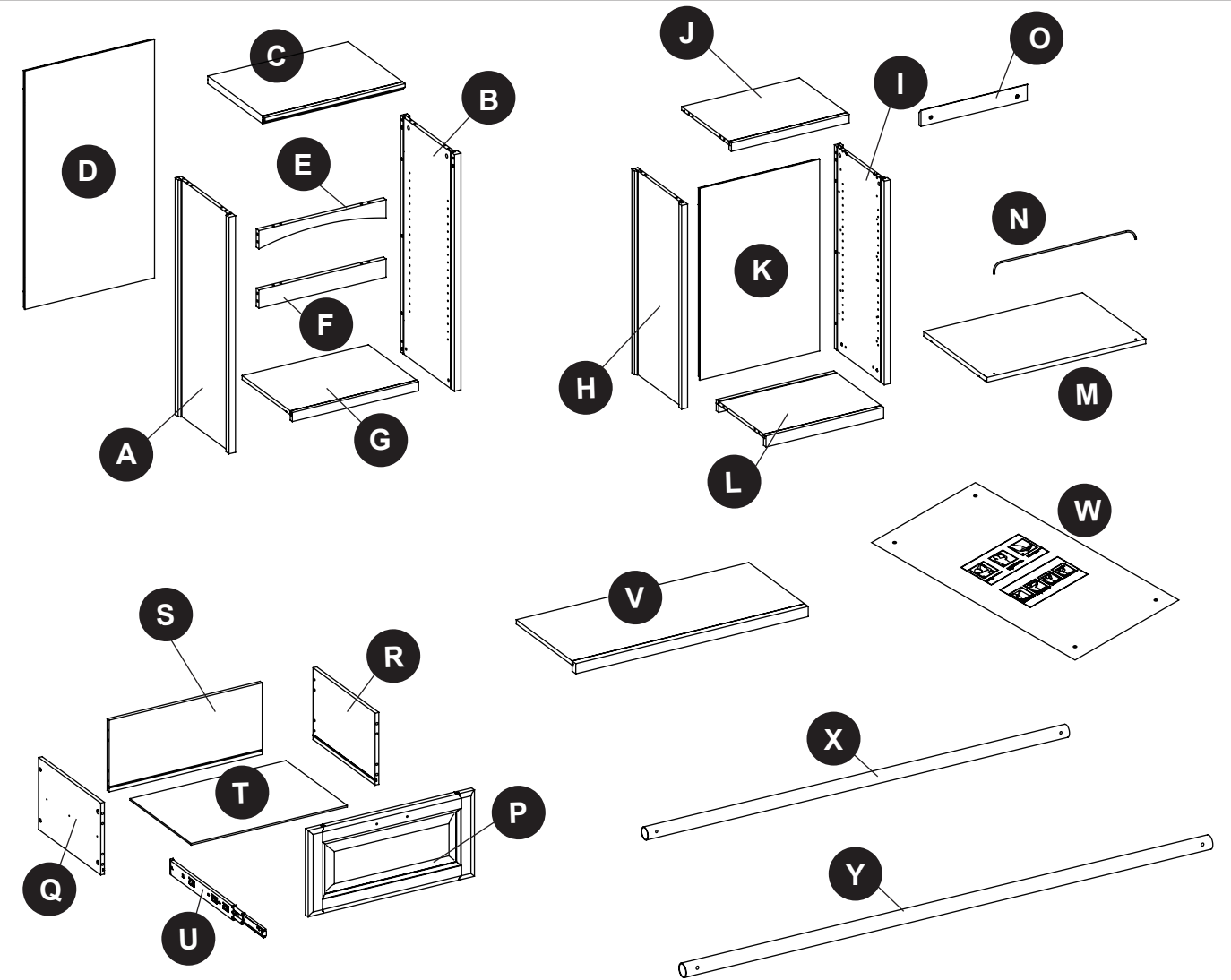
Camlock System Operation.....	2
Package Contents.....	3
Hardware Contents.....	4
Safety Information.....	6
Preparation	6
Assembly Instructions.....	7
Care and Maintenance	17
Troubleshooting.....	17
Warranty.....	19
Replacement Parts List	19

CAM LOCK SYSTEM OPERATION



1. Screw cam bolts into the predrilled small holes on panel.
2. Insert cam lock into predrilled large hole on panel.
3. Make sure the arrow on the cam lock is pointed toward the cam bolts.
4. Connect both panels together, making sure cam bolts goes into predrilled hole on the end of panel with cam lock.
5. Once cam bolts is connected inside cam lock, take Phillips screwdriver and tighten cam lock clockwise.

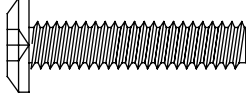
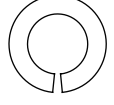
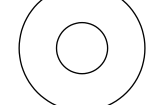
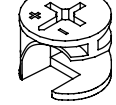
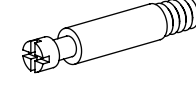

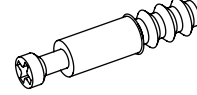



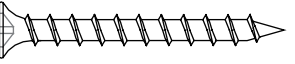
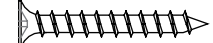
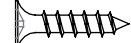
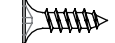
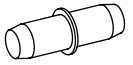
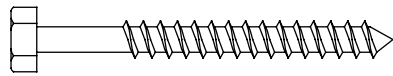
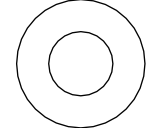
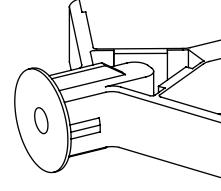
PACKAGE CONTENTS





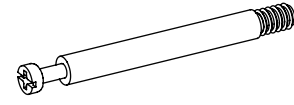

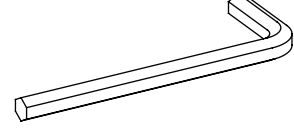
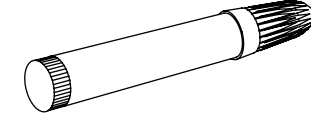
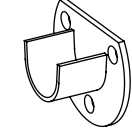
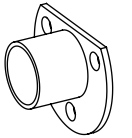

PART	DESCRIPTION	QUANTITY
A	Hutch Panel Left	1
B	Hutch Panel Right	1
C	Hutch Panel Top	1
D	Hutch Panel Back	1
E	Front Curved Stretcher	1
F	Front Straight Stretcher	1
G	Adjustable Shelf	1
H	Base Panel Left	1
I	Base Panel Right	1
J	Base Panel Top	1
K	Base Panel Back	1
L	Base Panel Bottom	1
M	Shoe shelf	1
N	Wire stopper	1

PART	DESCRIPTION	QUANTITY
O	Wall Hanging Cleat	2
P	Drawer Front	1
Q	Drawer Panel Left	1
R	Drawer Panel Right	1
S	Drawer Back	1
T	Drawer Bottom	1
U	Slide	2
V	Long Shelf	2
W	Installation Template	1
X	22 mm Metal Pole	3
Y	25 mm Metal Pole	3

HARDWARE CONTENTS (shown not actual size)

AA  1/4 x 1-1/4 in. Bolt Qty. 12	BB  Lock Washer Qty. 12	CC  Flat Washer Qty. 12	DD  Large Cam Lock Qty. 30	EE  Medium Cam Bolt Qty. 26
FF  Small Cam Lock Qty. 4	GG  Small Cam Bolt Qty. 4	HH  Large Wood Dowel Qty. 30	II  Small Wood Dowel Qty. 8	JJ  M6 x 10 mm Screw Qty. 4
KK  M4 x 38 mm Wood Screw Qty. 17	LL  M4 x 25 mm Wood Screw Qty. 4	MM  M4 x 14 mm Wood Screw Qty. 33	NN  M3.5 x 12 mm Wood Screw Qty. 6	
OO  Shelf Pin Qty. 8	PP  M8 x 2-1/2 in. Lag Bolt Qty. 4	QQ  Large Flat Washer Qty. 4	RR  Wall Anchor Qty. 8	

HARDWARE CONTENTS (shown not actual size)

SS  L - Bracket Qty. 8	TT  Drawer Handle Qty. 1	UU  Large Cam Bolt Qty. 4	VV  Barrel Nut Qty. 4
WW  M4 Allen Wrench Qty. 1	XX  Touch-up Pen Qty. 1 (not included for Item #5130290)	YY  Open Pole Holder Qty. 3	ZZ  Closed Pole Holder Qty. 3
AB  M4 x 15 mm Self-tapping Screw Qty. 6			

SAFETY INFORMATION

Please read and understand this entire manual before attempting to assemble, operate or install the product.

- Do not allow children to climb or play in or around this product.
- To avoid damage, assemble the product on a sturdy, level and protective surface.
- Two or more persons must work together to install the unit onto the wall.
- Make sure all bolts/screws are tightly fastened before the unit is used.
- Check bolts/screws periodically and tighten them if necessary.

WARNING

• THIS UNIT IS INTENDED FOR USE ONLY WITH THE MAXIMUM WEIGHTS INDICATED. USE WITH PRODUCTS HEAVIER THAN THE MAXIMUM WEIGHTS INDICATED MAY RESULT IN INSTABILITY CAUSING POSSIBLE INJURY. DISTRIBUTE WEIGHT EVENLY.

- Shelf maximum load: 30 lbs
- Pole maximum load: 40 lbs.
- Pole maximum length: 60 in.

CAUTION

- Use this unit for its intended purpose only.
- Do not use shelves as step ladder.

PREPARATION

Before beginning assembly of product, make sure all parts are present. Compare parts with package contents list and hardware contents list. If any part is missing or damaged, do not attempt to assemble the product.

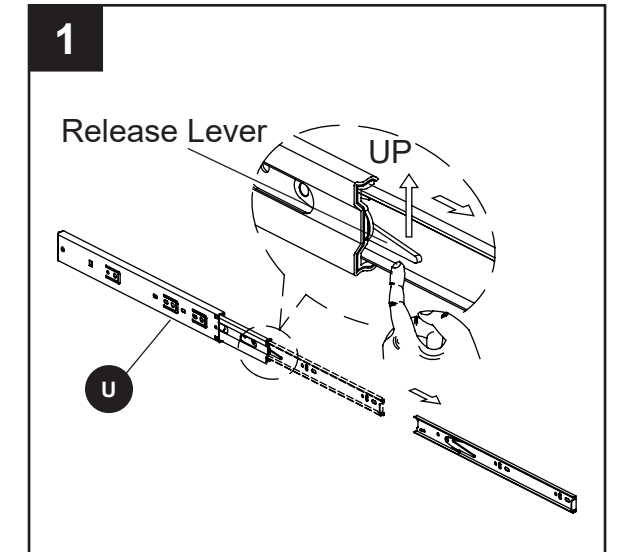
Estimated Assembly Time: 120 minutes

Tools Required for Assembly (not included): Phillips Screwdriver, Power Drill, 3/16 in. Drill Bit, 3/8 in. Drill Bit, 1/2 in. Socket Wrench, Level, Stud Finder, Marking Pencil, Tape Measure, Step Ladder, and Hammer

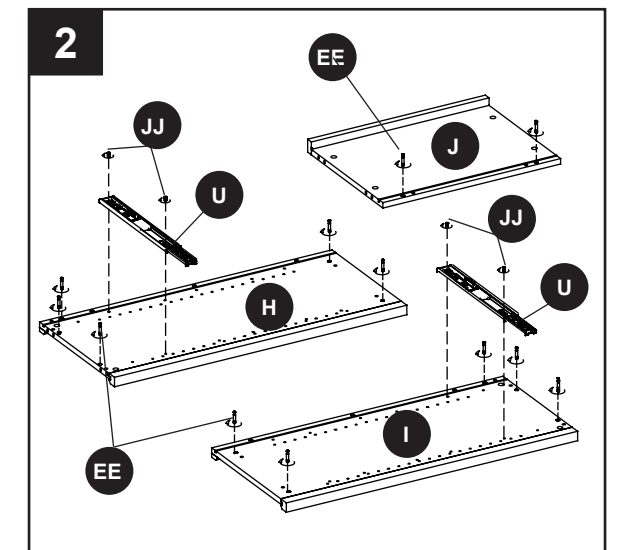
ASSEMBLY INSTRUCTIONS

Base Assembly

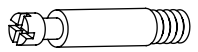

1. Press the release lever on slides (U) and remove the slide runner.



2. Attach slides (U) to base panel left (H) and base panel right (I), securing with M6 x 10 mm screws (JJ). Then, insert medium cam bolts (EE) into base panel left (H), base panel right (I) and base panel top (J).




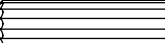
Hardware Used

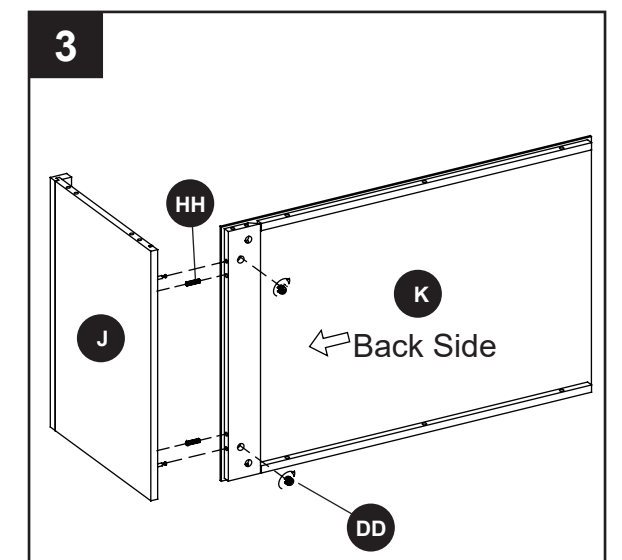
EE	Medium Cam Bolt		x 12
JJ	M6 x 10 mm Screw		x 4

3. Attach base panel back (K) and base panel top (J) to assembly using large wood dowels (HH) and large cam lock (DD).

Note: Make sure previously inserted medium cam bolts (EE) are completely seated.

Hardware Used

DD	Large Cam Lock		x 2
HH	Large Wood Dowel		x 2

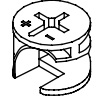
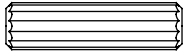


ASSEMBLY INSTRUCTIONS

4. Attach base panel right (I) to assembly using large wood dowels (HH) and large cam locks (DD).

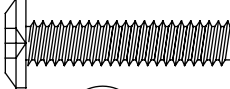
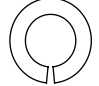

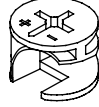

Note: Make sure previously inserted medium cam bolts (EE) are completely seated.

Hardware Used

DD	Large Cam Lock		x 2
HH	Large Wood Dowel		x 3

5. From the back of the assembly, attach base panel right (I) to base panel back (K) using flat washers (CC), lock washers (BB), bolts (AA) and large cam locks (DD). Tighten with Allen wrench (WW).

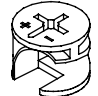
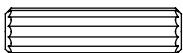
Hardware Used

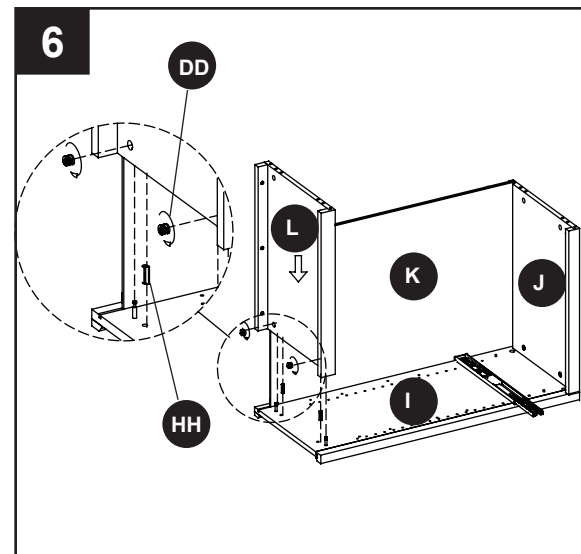
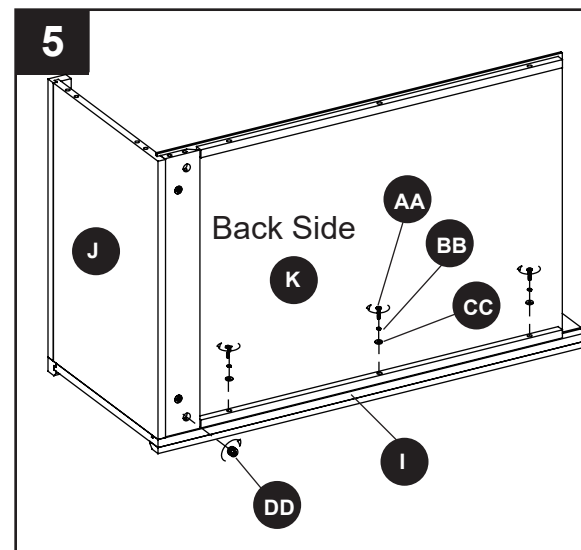
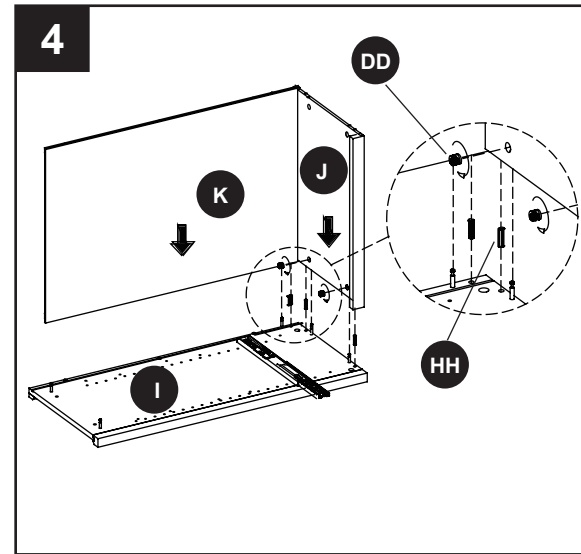
AA	Bolt		x 3
BB	Lock Washer		x 3
CC	Flat Washer		x 3
DD	Large Cam Lock		x 1
WW	Allen Wrench		x 1

6. Fit base panel back (K) into slot of base panel bottom (L), then attach base panel bottom (L) to assembly using large wood dowels (HH) and large cam locks (DD).

Note: Make sure previously inserted medium cam bolts (EE) are completely seated.

Hardware Used

DD	Large Cam Lock		x 2
HH	Large Wood Dowel		x 2

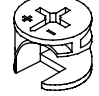
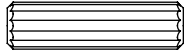


ASSEMBLY INSTRUCTIONS

7. Attach base panel left (H) to assembly using large wood dowels (HH) and large cam locks (DD).

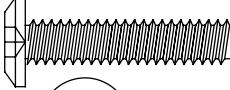



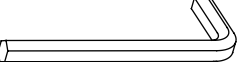
Note: Make sure previously inserted medium cam bolts (EE) are completely seated.

Hardware Used

DD	Large Cam Lock		x 4
HH	Large Wood Dowel		x 5

8. From the back of the assembly, attach base panel left (H) to base panel back (K) using flat washers (CC), lock washers (BB), bolts (AA) and large cam locks (DD). Tighten with Allen wrench (WW).

Hardware Used

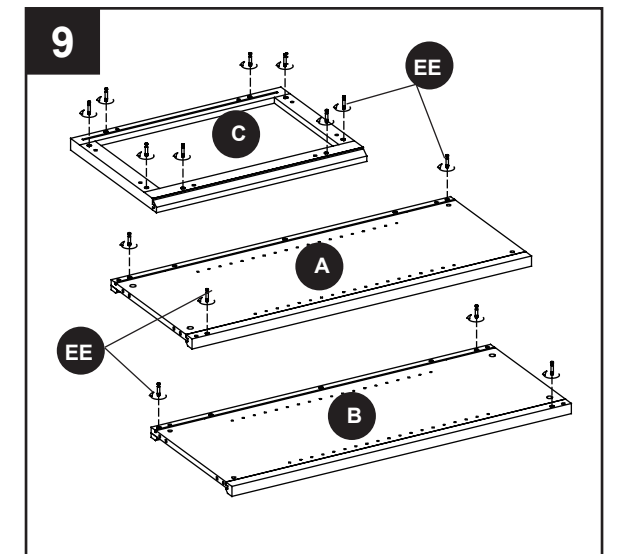
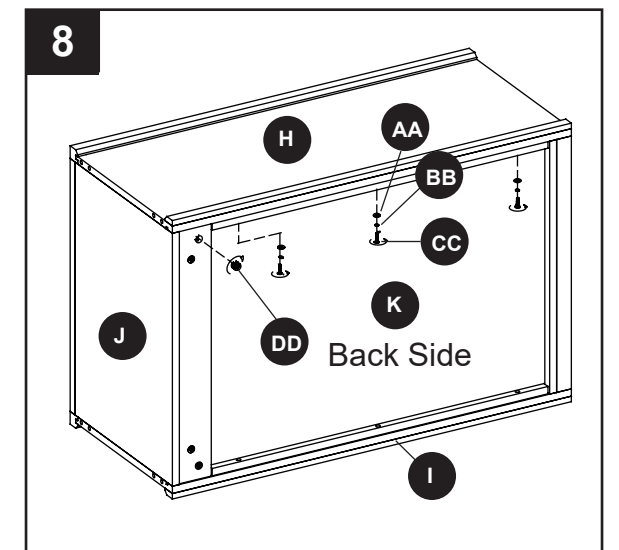
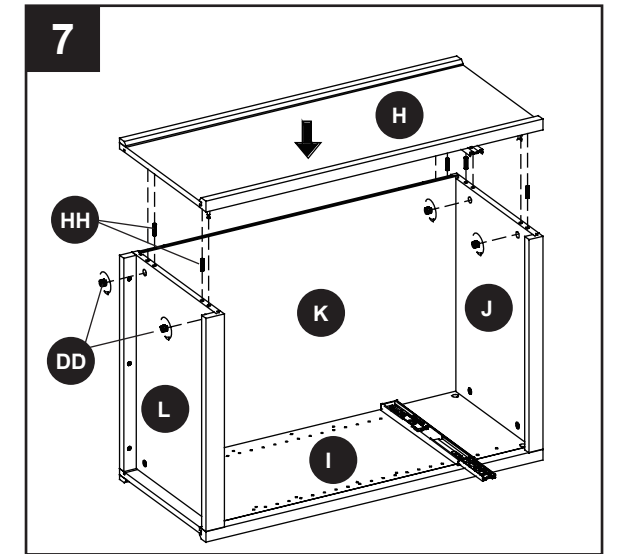
AA	Bolt		x 3
BB	Lock Washer		x 3
CC	Flat Washer		x 3
DD	Large Cam Lock		x 1
WW	Allen Wrench		x 1

Hutch Assembly

9. Insert medium cam bolts (EE) into hutch panel left (A), hutch panel right (B) and hutch panel top (C).

Hardware Used

EE	Medium Cam Bolt		x 14
-----------	-----------------	---	------



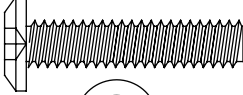

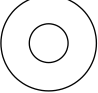
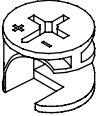
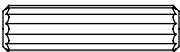
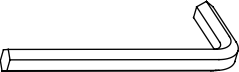
ASSEMBLY INSTRUCTIONS

10. Attach hutch panel left (A) and hutch panel right (B) to hutch panel back (D) and either front curved stretcher (E) or front straight stretcher (F) -- depending on which fits your closet look -- using large wood dowels (HH) and large cam locks (DD). From the back of the assembly, use flat washers (CC), lock washers (BB) and bolts (AA) to secure unit. Tighten with Allen wrench (WW).

Then, secure assembly with large cam locks (DD).


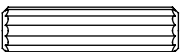
Note: Make sure previously inserted medium cam bolts (EE) are completely seated.

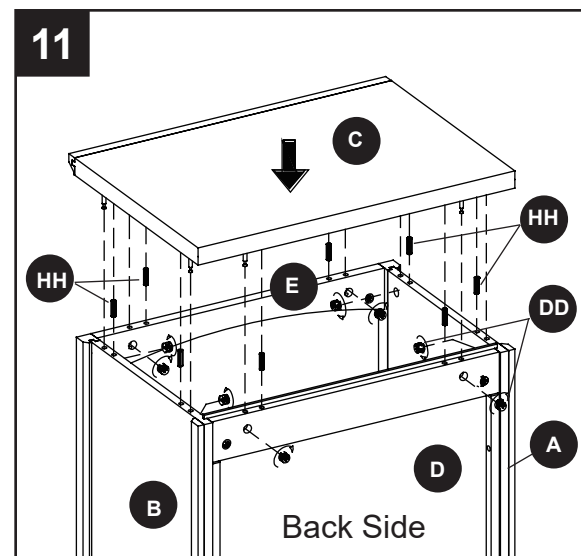
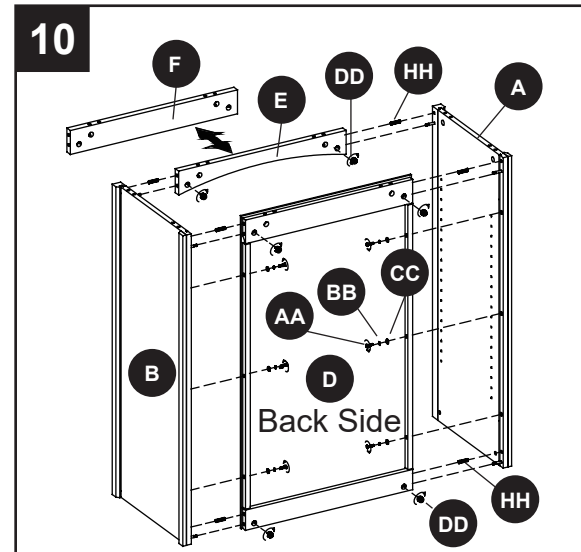
Hardware Used

AA	Bolt		x 6
BB	Lock Washer		x 6
CC	Flat Washer		x 6
DD	Large Cam Lock		x 6
HH	Large Wood Dowel		x 6
WW	Allen Wrench		x 1

11. Insert large wood dowels (HH) and large cam locks (DD) into hutch assembly. Attach hutch panel top (C), tightening large cam locks (DD) to secure assembly.

Hardware Used

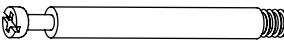
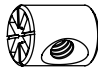
DD	Large Cam Lock		x 8
HH	Large Wood Dowel		x 8



ASSEMBLY INSTRUCTIONS

12. Carefully rest hutch assembly on its side. Insert barrel nuts (VV) and large cam bolts (UU) into the bottom of the hutch assembly.

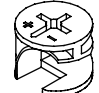
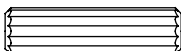
Hardware Used

UU	Large Cam Bolt		x 4
VV	Barrel Nut		x 4

13. Insert large wood dowels (HH) and large cam locks (DD) into the base panel top (J). Then, with the help of another person, attach the hutch assembly, tightening the large cam locks (DD) to secure the unit.

Note: Make sure previously inserted large cam bolts (UU) are completely seated.


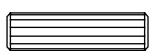
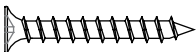
Hardware Used

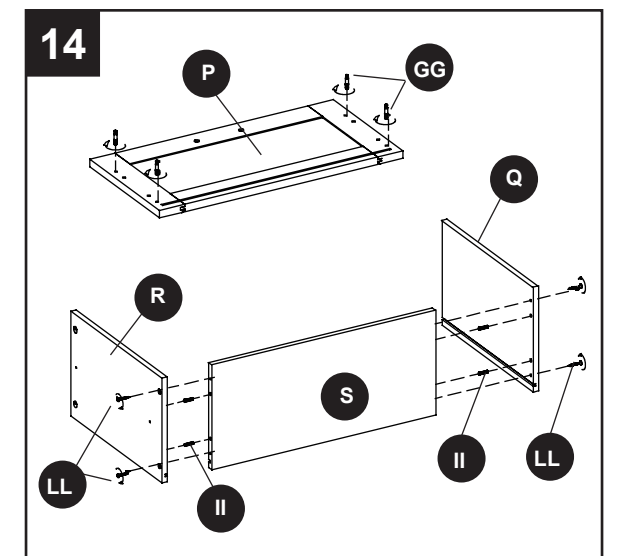
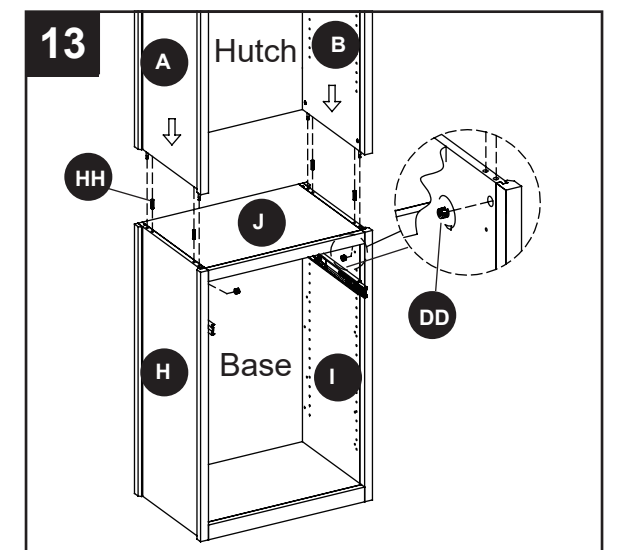
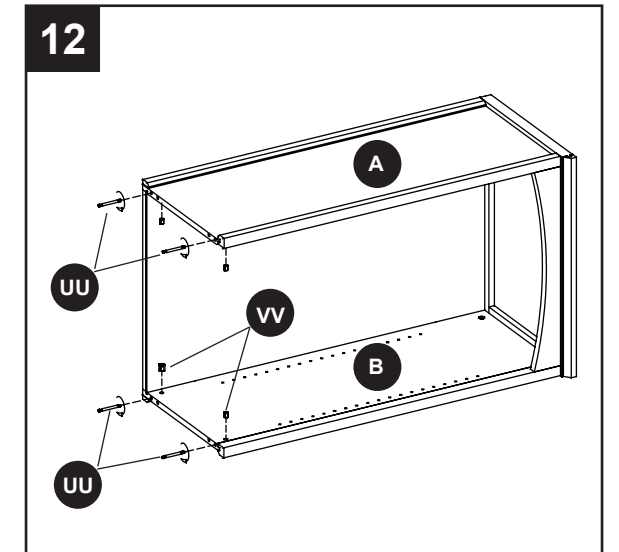
DD	Large Cam Lock		x 4
HH	Large Wood Dowel		x 4

Drawer Assembly

14. Install small cam bolts (GG) into drawer front (P). Set aside. Install small wood dowels (II) into drawer back panel (S), then attach drawer left panel (R) and drawer right panel (Q) to drawer back panel (S) with M4 x 25 mm wood screws (LL).

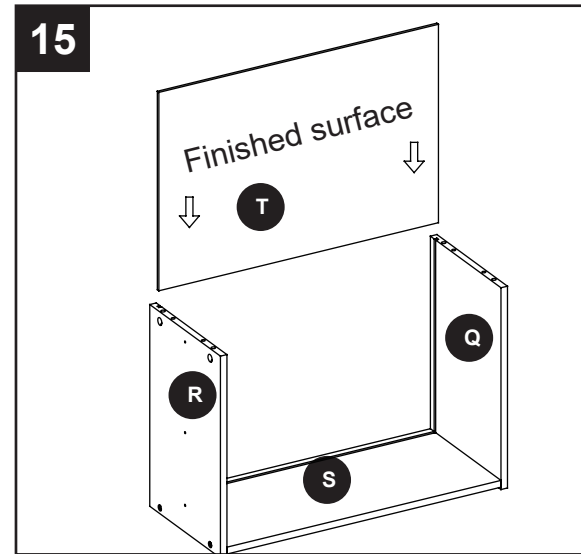
Hardware Used

GG	Small Cam Bolt		x 4
II	Small Wood Dowel		x 4
LL	M4 x 25 mm Wood Screw		x 4

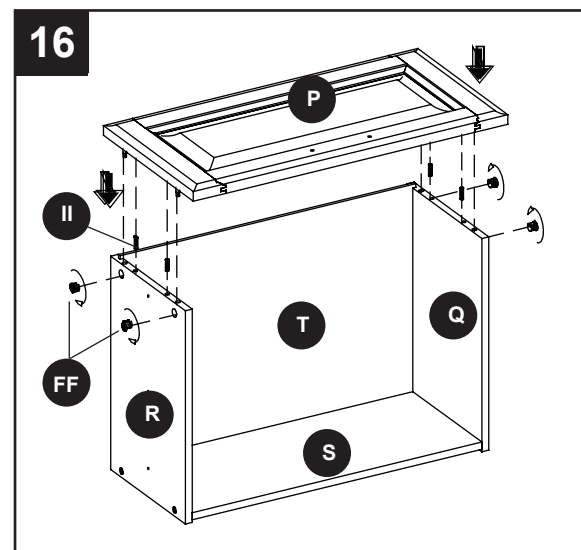


ASSEMBLY INSTRUCTIONS



15. Insert drawer bottom panel (T) into drawer left panel (R), drawer right panel (Q) and drawer back panel (S).



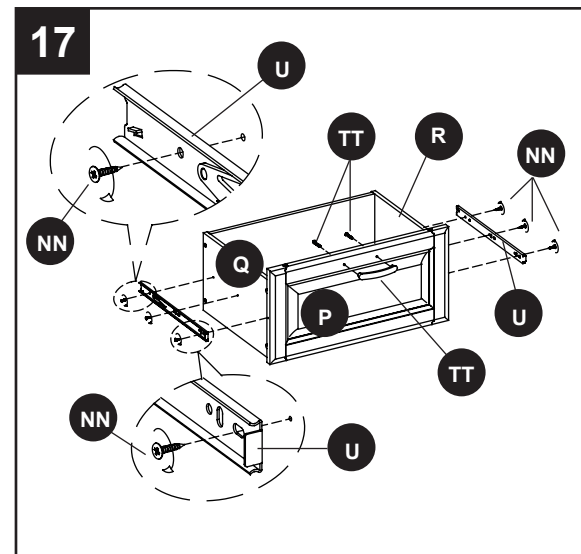
16. Insert small wood dowels (II) into drawer left panel (R) and drawer right panel (Q). Attach drawer front (P), securing with small cam locks (FF).



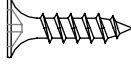

Hardware Used

FF	Small Cam Lock		x 4
II	Small Wood Dowel		x 4

17. Attach the previously removed slide runners (Step 1, page 7) to drawer left panel (Q) and drawer right panel (R) with M3.5 x 12 mm wood screws (NN). Then, remove preassembled bolt from handle (TT). Insert drawer handle (TT) into drawer front (P), securing with previously removed bolt.

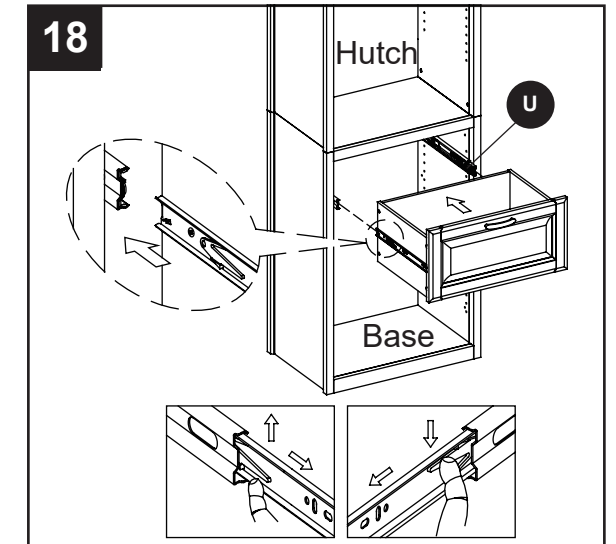


Hardware Used

NN	M3.5 x 12 mm Wood Screw		x 6
TT	Drawer Handle and Bolts		x 1

ASSEMBLY INSTRUCTIONS

18. Insert the drawer into the assembly by pressing down the release levers on the slide runners and sliding the drawer into the tracks of slides (U).

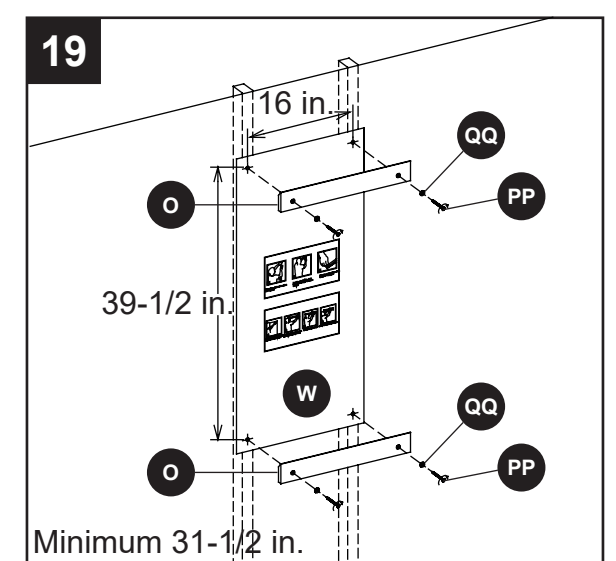


Wall Hanging Installation

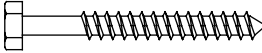

19. Using a stud finder, locate the edges of the wood studs. Find the center line of each stud and draw a vertical reference line on the wall over each one. Position installation template (W) at desired location on wall.

Note: The bottom of the installation template (W) should be no less than 31-1/2 in. from the floor.

Mark mounting holes with a pencil (not included) and discard installation template (W). Drill 3/16 in. pilot holes at marked locations. Then, with the beveled edge facing up, attach the wall hanging cleats (O) with large flat washers (QQ) and lag bolts (PP).

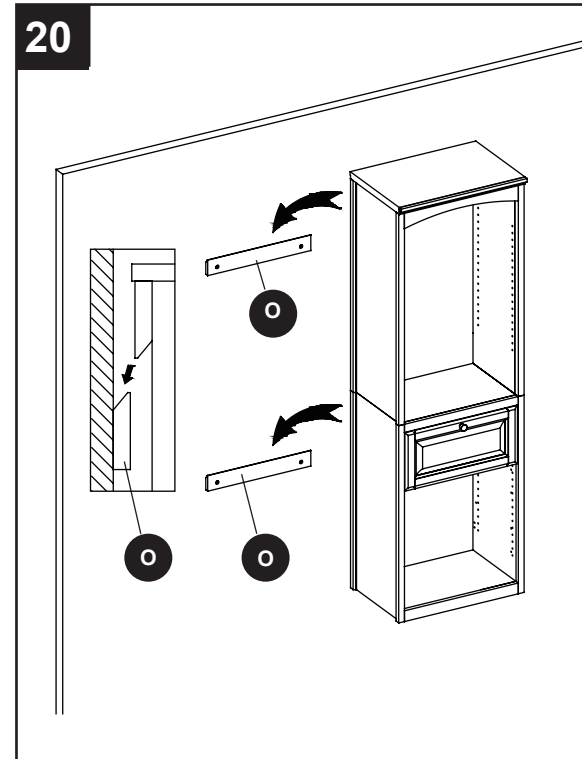


Hardware Used

PP	M8 x 2-1/2 in. Lag Bolt		x 4
QQ	Large Flat Washer		x 4

ASSEMBLY INSTRUCTIONS

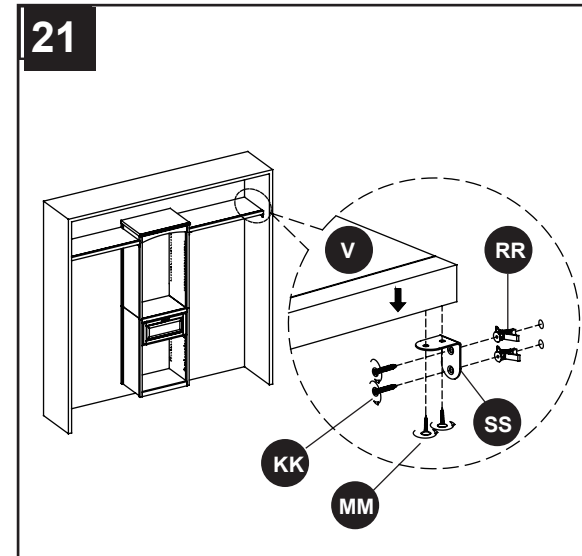
20. With the help from another person, carefully hang the unit onto wall hanging cleat (O).



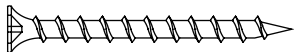
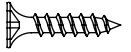
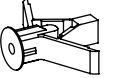

Long Shelf Installation

Note: If long shelf (V) needs cut to fit inside your closet space, cut only one side of the shelf and do not use a hacksaw. It is recommended you hire an insured remodeler for this type of installation.

21. With a pencil, draw a level line at the desired mounting location for long shelves (V). Using L-brackets (SS) as a guide, mark the screw hole locations with a pencil. Drill 3/8 in. diameter pilot holes at least 2-1/2 in. deep at marked locations, then insert wall anchors (RR) into the holes until they are flush with the wall. Attach L-brackets (SS) to the wall using M4 x 38 mm screws (KK) and to the long shelf (V) using M4 x 14 mm wood screws (MM).





Hardware Used

KK	M4 x 38 mm Screw		x 8
MM	M4 x 14 mm Wood Screw		x 8
RR	Wall Anchor		x 8
SS	L-Bracket		x 4

ASSEMBLY INSTRUCTIONS

22. Attach long shelves (V) to hutch panel left (A) and hutch panel right (B) with L-brackets (SS), securing with M4 x 14 mm wood screws (MM).

Hardware Used

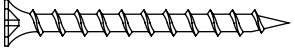

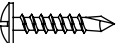
MM	M4 x 14 mm Wood Screw		x 16
SS	L-Bracket		x 4

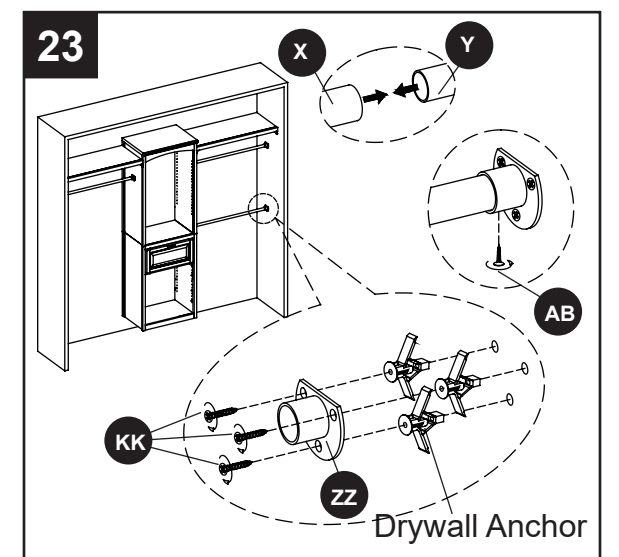
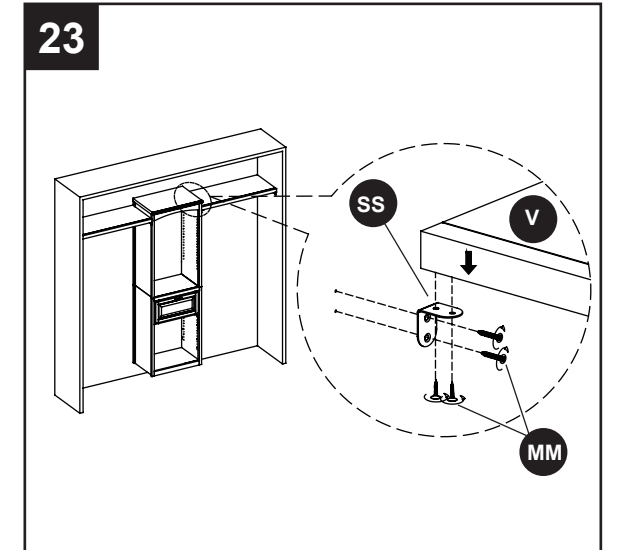
Pole Installation

23. Insert 22 mm metal poles (X) into 25 mm metal poles (Y). Using closed pole holders (ZZ) as a guide, mark screw hole locations with a pencil. Drill 3/8 in. diameter pilot holes at least 2-1/2 in. deep at marked locations, then insert drywall anchors (not included) into the holes. Attach closed pole holders (ZZ) with M4 x 38 mm screws (KK). Insert 25 mm metal poles (Y) into closed pole holders (ZZ), securing with M4 x 15 mm self-tapping screws (AB).

Note: Drywall anchors are not required if installing into a stud.

Hardware Used

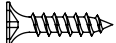
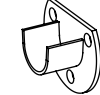
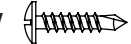
KK	M4 x 38 mm Screw		x 9
ZZ	Closed Pole Holder		x 3
AB	M4 x 15 mm Self-tapping Screw		x 3

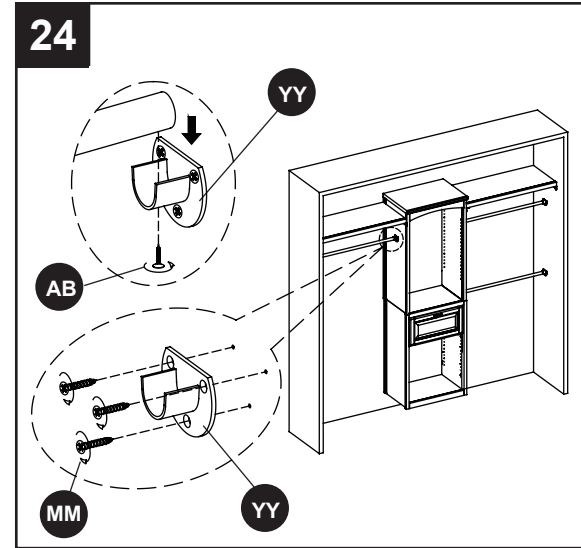


ASSEMBLY INSTRUCTIONS

24. Attach open pole holders (YY) to hutch panel left (A) and hutch panel right (B), securing with M4 x 14 mm wood screws (MM). Insert 22 mm metal poles (X) into open pole holders (YY), securing with M4 x 15 mm self-tapping screws (AB).

Hardware Used

MM	M4 x 14 mm Wood Screw		x 9
YY	Open Pole Holder		x 3
AB	M4 x 15 mm Self-tapping Screw		x 3



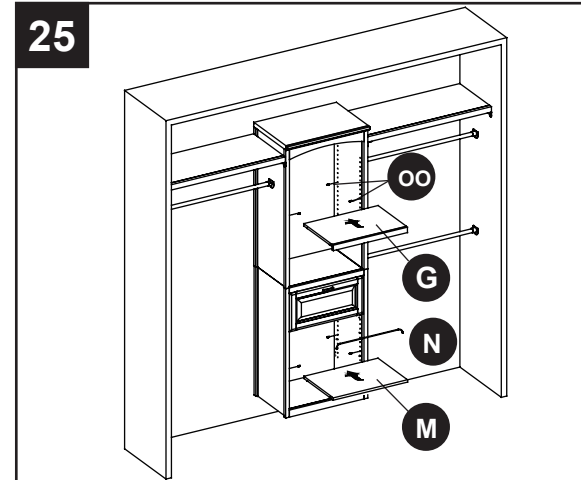
Adjustable Shelf Installation

25. Insert shelf pins (OO) where desired in cabinet, insert Wire stopper (N) in shoe shelf (M), then rest adjustable shelf (G) and shoe shelf (M) on the closet.

Note: Ensure the shelf pins (OO) are level.

Hardware Used

OO	Shelf pin		x 8
-----------	-----------	---	-----



CARE AND MAINTENANCE

- Periodically check to make certain all components are properly positioned, free from damage and firmly connected.
- Use a soft, clean cloth that will not scratch the surface when dusting.
- Never use water to clean the furniture as it may cause damage to the finish.
- Wipe clean using a damp cloth and a mild cleaner. Wipe dry with a clean cloth.
- In the event that the furniture is stained or otherwise damaged during use, it is recommended you call a professional to repair the furniture.
- Keep furniture away from direct sunlight as it may damage the finish.
- It is best to keep the furniture in a climate-controlled environment. Extreme temperature and humidity changes can cause fading, warping, shrinking and splitting of wood.
- Touch-up pen (XX) has been provided (except in Item #5130290) to repair any small nicks or scratches that may occur during assembly or shipping.
- If Item #5130290 is damaged and touch-up is required please apply a quality wood polish to the damaged surface. Polish not included with this item.

TROUBLESHOOTING

PROBLEM	POSSIBLE CAUSE	CORRECTIVE ACTION
One end of long shelf (V) is floating.	The closet space is larger than 8 ft.	1. Buy corresponding shelf bracket and wall bracket (sold separately). 2. Replace long shelf (V) with a longer shelf of a similar finish and style.
Long shelf (V) can not be installed inside the closet.	The closet space is smaller than 8 ft.	1. Shorten one side of the long shelf (V). Hire an insured remodeler for installation. 2. Replace long shelf (V) with a shorter shelf of a similar finish and style.
The shelf is tilting.	The wall brackets and shelf brackets are not installed at the same level.	Use a quality level to ensure the brackets are leveled with each other.
Drawer slide runner can not slide into slide tracks.	Slide runners reversed.	Reinstall the slide runner and ensure the opening of slide runner is pointing backward.
Drawer slides do not go smoothly.	The slide runners do not align with the slide tracks properly.	Take out and repeat drawer installation.
Drawer gaps are not even.	Slide runners are not level with each other.	Use the pilot holes on the tower as a guide to level the slide runners.

TROUBLESHOOTING

PROBLEM	POSSIBLE CAUSE	CORRECTIVE ACTION
One end of metal pole does not rest properly onto the open pole holder (YY).	The opening of open pole holder does not face upward vertically.	Use a quality level to ensure the flat edge of the open pole holder is level while installing.
The pole kit is tilting.	The open and closed pole holders are not installed at the same level.	Use a quality level to ensure the pole holders are level with each other.
Screw went through side panel.	Used M4 x 38 mm wood screws for attaching pole holder onto the side of cabinet.	Use M4 x 14 mm wood screws.
Closet tower tilted.	The wall hanging cleats are not level.	Reinstall the wall hanging cleats and ensure they are level.
Closet tower can not hang on the wall.	The mounting hole locations are not correct.	Reinstall wall hanging cleats; make sure the space between two wall hanging cleats is 39-1/2 in. and the bottom two mounting holes location is no less than 31-1/2 in. from the floor.

WARRANTY

This product (exclusive of shelves) is warranted to the original purchaser. If there is a failure in this unit due to defects in materials or workmanship, the manufacturer will repair or replace this item at our discretion without charge. Warranty is void if product has been assembled incorrectly, misused, abused by overloading, altered in any way or damaged due to accident. This warranty is not transferable and does not cover chipping, flaking, scratches, rust, dents, or other damages to the surfaces of this product. Responsibility of the manufacturer is limited to repair or replacement of this product. The manufacturer is not responsible for consequential, incidental, or other damages or losses resulting from product failure.

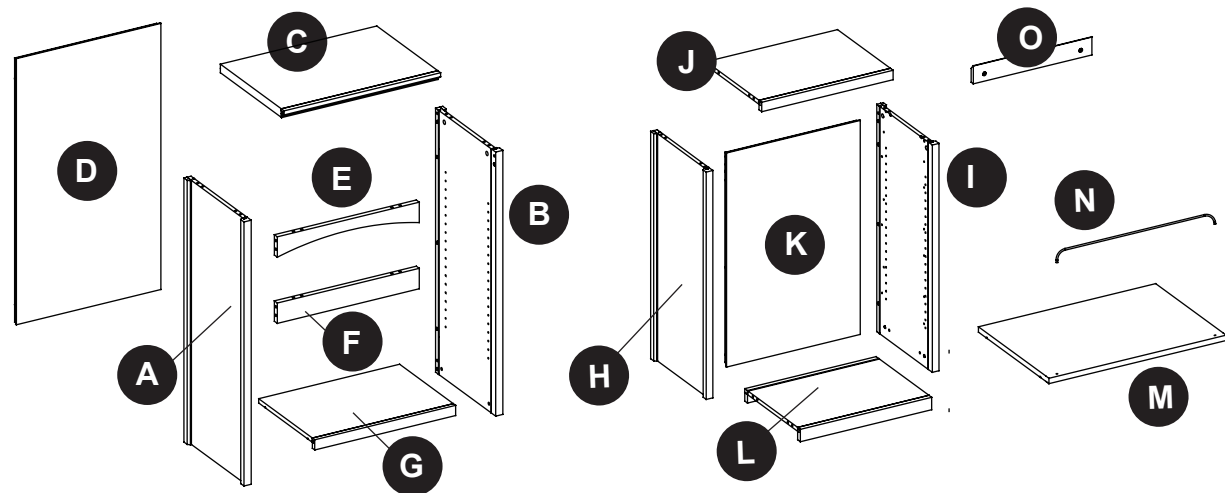
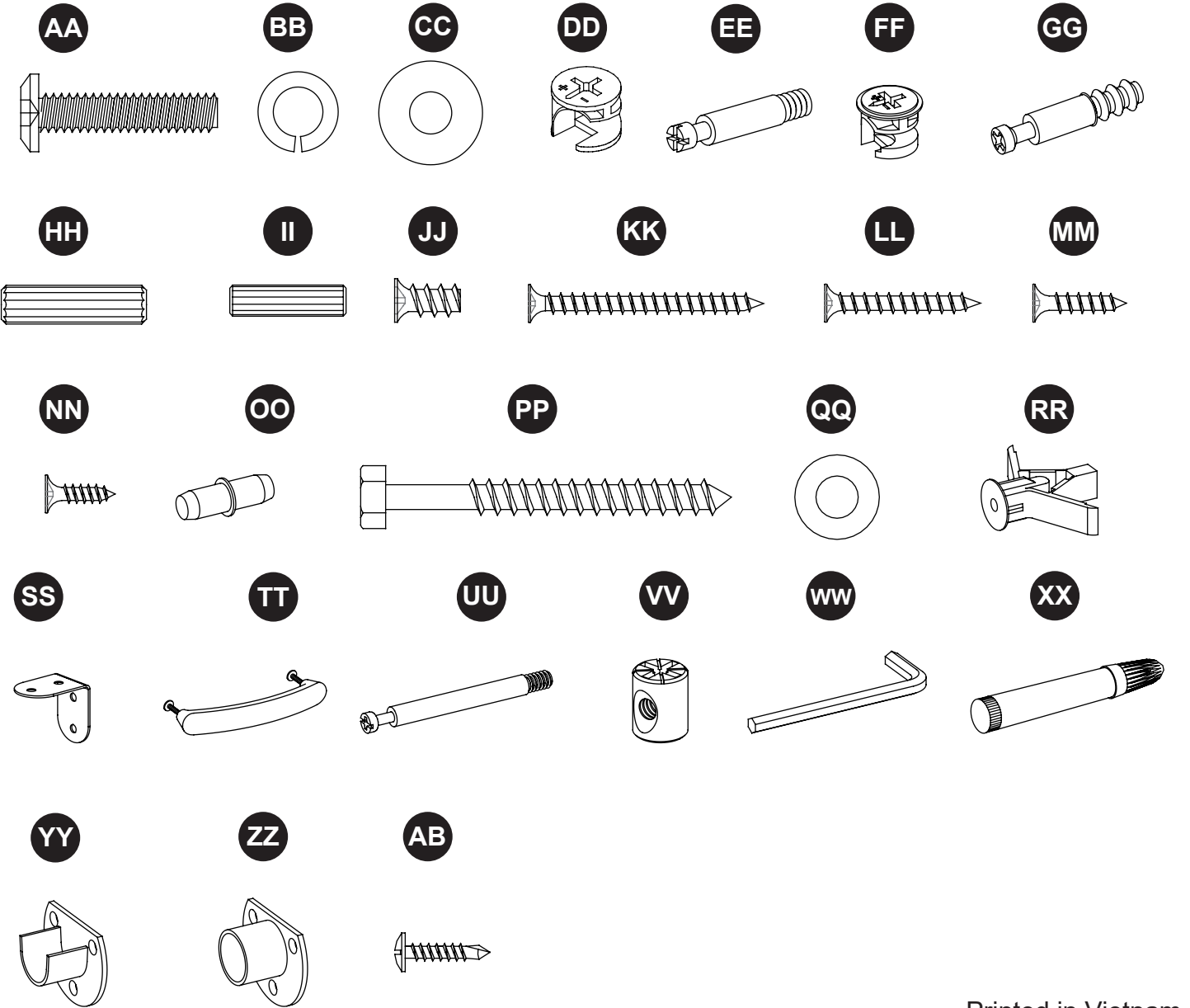
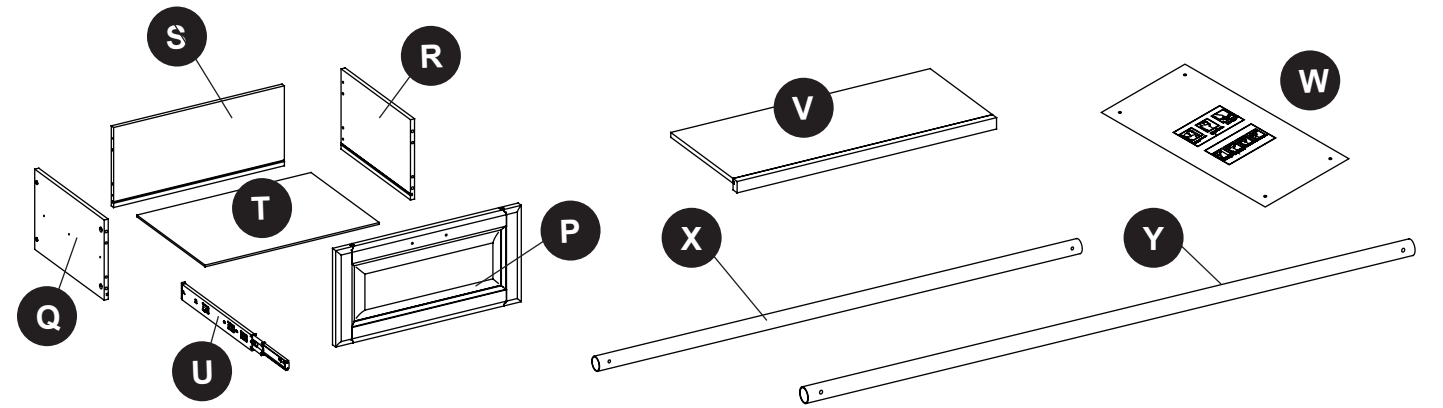
This warranty is in lieu of all other expressed warranties. Some states do not allow the exclusion or limitation of incidental or consequential damages, so the above limitation may not apply to you. This warranty gives you specific legal rights and you may have other rights which vary from state to state.

REPLACEMENT PARTS LIST

For replacement parts, call our customer service department at 1-866-439-9800, 8 a.m. - 8 p.m., EST, Monday - Friday.

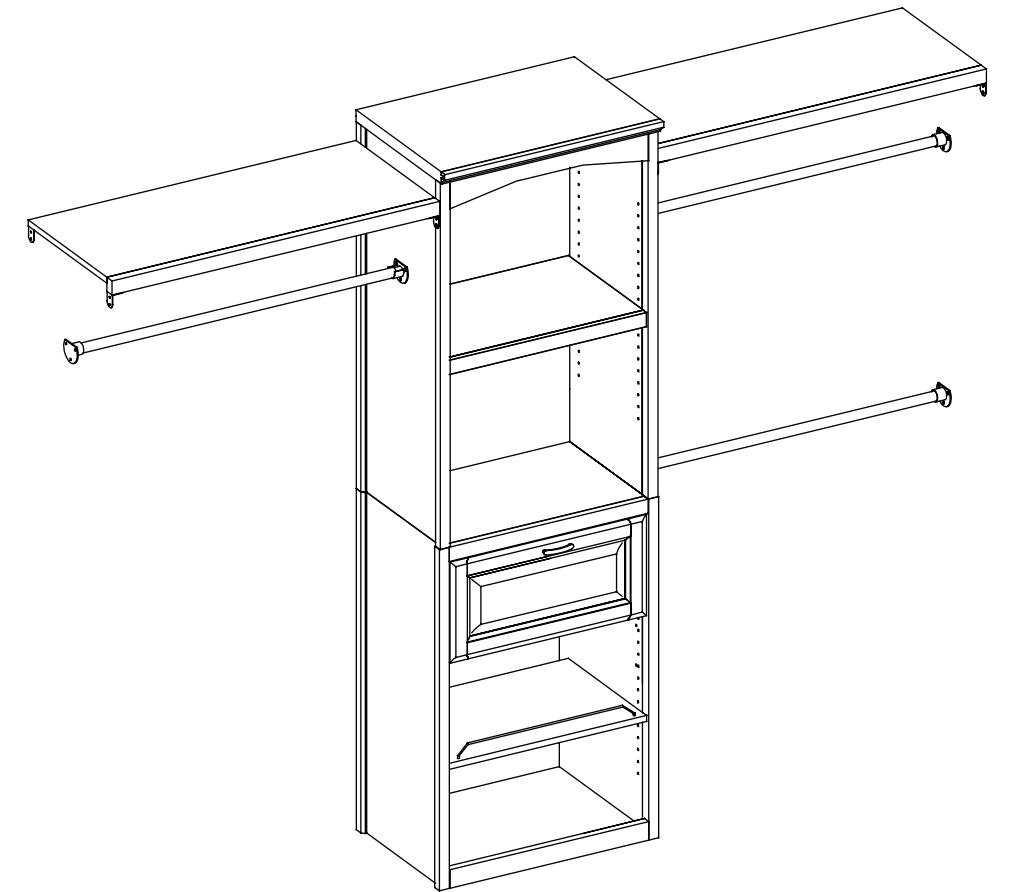
PART	DESCRIPTION	PART #
A	Hutch Panel Left	00LWSCSC/LWSCSBW-1
B	Hutch Panel Right	00LWSCSC/LWSCSBW-2
C	Hutch Panel Top	00LWSCSC/LWSCSBW-3
D	Hutch Panel Back	00LWSCSC/LWSCSBW-4
E	Front Curved Stretcher	00LWSCSC/LWSCSBW-5
F	Front Straight Stretcher	00LWSCSC/LWSCSBW-6
G	Adjustable Shelf	00LWSCSC/LWSCSBW-7
H	Base Panel Left	00LWSCSC/LWSCSBW-8
I	Base Panel Right	00LWSCSC/LWSCSBW-9
J	Base Panel Top	00LWSCSC/LWSCSBW-10
K	Base Panel Back	00LWSCSC/LWSCSBW-11
L	Base Panel Bottom	00LWSCSC/LWSCSBW-12
M	Shoe shelf	00LWSCSC/LWSCSBW-13
N	Wire stopper	00LWSCSC/LWSCSBW-14
O	Wall Hanging Cleat	00LWSCSC/LWSCSBW-15
P	Drawer Front	00LWSCSC/LWSCSBW-16
Q	Drawer Panel Left	00LWSCSC/LWSCSBW-17
R	Drawer Panel Right	00LWSCSC/LWSCSBW-18
S	Drawer Back	00LWSCSC/LWSCSBW-19
T	Drawer Bottom	00LWSCSC/LWSCSBW-20
U	Slide	00LWSCSC/LWSCSBW-21
V	Long Shelf	00LWSCSC/LWSCSBW-22
W	Installation Template	00LWSCSC/LWSCSBW-23

PART	DESCRIPTION	PART #
X	22 mm Metal Pole	00LWSCSC/LWSCSBW-24
Y	25 mm Metal Pole	00LWSCSC/LWSCSBW-25
AA	Bolt	00LWSCSC/LWSCSBW-26
BB	Lock Washer	00LWSCSC/LWSCSBW-27
CC	Flat Washer	00LWSCSC/LWSCSBW-28
DD	Large Cam Lock	00LWSCSC/LWSCSBW-29
EE	Medium Cam Bolt	00LWSCSC/LWSCSBW-30
FF	Small Cam Lock	00LWSCSC/LWSCSBW-31
GG	Small Cam Bolt	00LWSCSC/LWSCSBW-32
HH	Large Wood Dowel	00LWSCSC/LWSCSBW-33
II	Small Wood Dowel	00LWSCSC/LWSCSBW-34
JJ	M6 x 10 mm Screw	00LWSCSC/LWSCSBW-35
KK	M4 x 38 mm Wood Screw	00LWSCSC/LWSCSBW-36
LL	M4 x 25 mm Wood Screw	00LWSCSC/LWSCSBW-37
MM	M4 x 14 mm Wood Screw	00LWSCSC/LWSCSBW-38
NN	M3.5 x 12 mm Wood Screw	00LWSCSC/LWSCSBW-39
OO	Shelf Pin	00LWSCSC/LWSCSBW-40
PP	M8 x 2-1/2 in. Lag Bolt	00LWSCSC/LWSCSBW-41
QQ	Large Flat Washer	00LWSCSC/LWSCSBW-42
RR	Wall Anchor	00LWSCSC/LWSCSBW-43
SS	L - Bracket	00LWSCSC/LWSCSBW-44
TT	Drawer Handle	00LWSCSC/LWSCSBW-45
UU	Large Cam Bolt	00LWSCSC/LWSCSBW-46
VV	Barrel Nut	00LWSCSC/LWSCSBW-47
WW	M4 Allen Wrench	00LWSCSC/LWSCSBW-48
XX	Touch-up Pen	00LWSCSC/LWSCSBW-49
YY	Open Pole Holder	00LWSCSC/LWSCSBW-50
ZZ	Closed Pole Holder	00LWSCSC/LWSCSBW-51
AB	M4 x 15 mm Self-tapping Screw	00LWSCSC/LWSCSBW-52
	Complete Hardware	00LWSCSC/LWSCSBW-53



allen + roth®

welcoming • sophisticated • inspiring



allen + roth® est une marque de commerce déposée de LF, LLC. Tous droits réservés.

ARTICLE #5130289, 5130290

Kit de placard en bois

MODÈLE # LWSCSC, LWSCSBW

JOIGNEZ VOTRE REÇU ICI

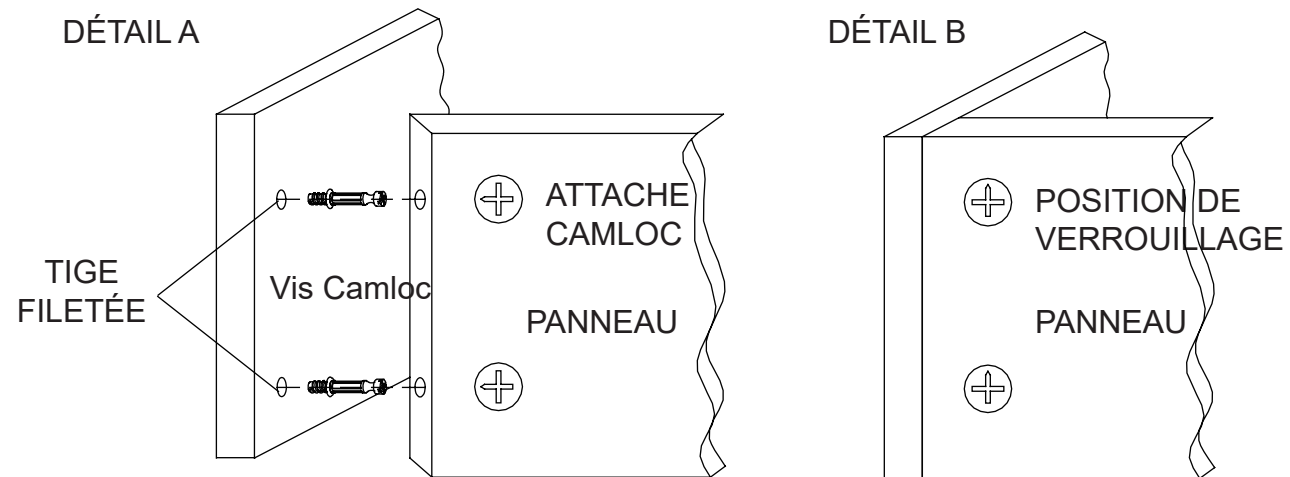
Numéro de série _____ Date d'achat _____

Des questions, des problèmes, des pièces manquantes? Avant de retourner l'article au détaillant, appelez notre service à la clientèle au 1 866 439-9800, entre 8 h et 20 h (HNE), du lundi au vendredi.

TABLE DES MATIÈRES

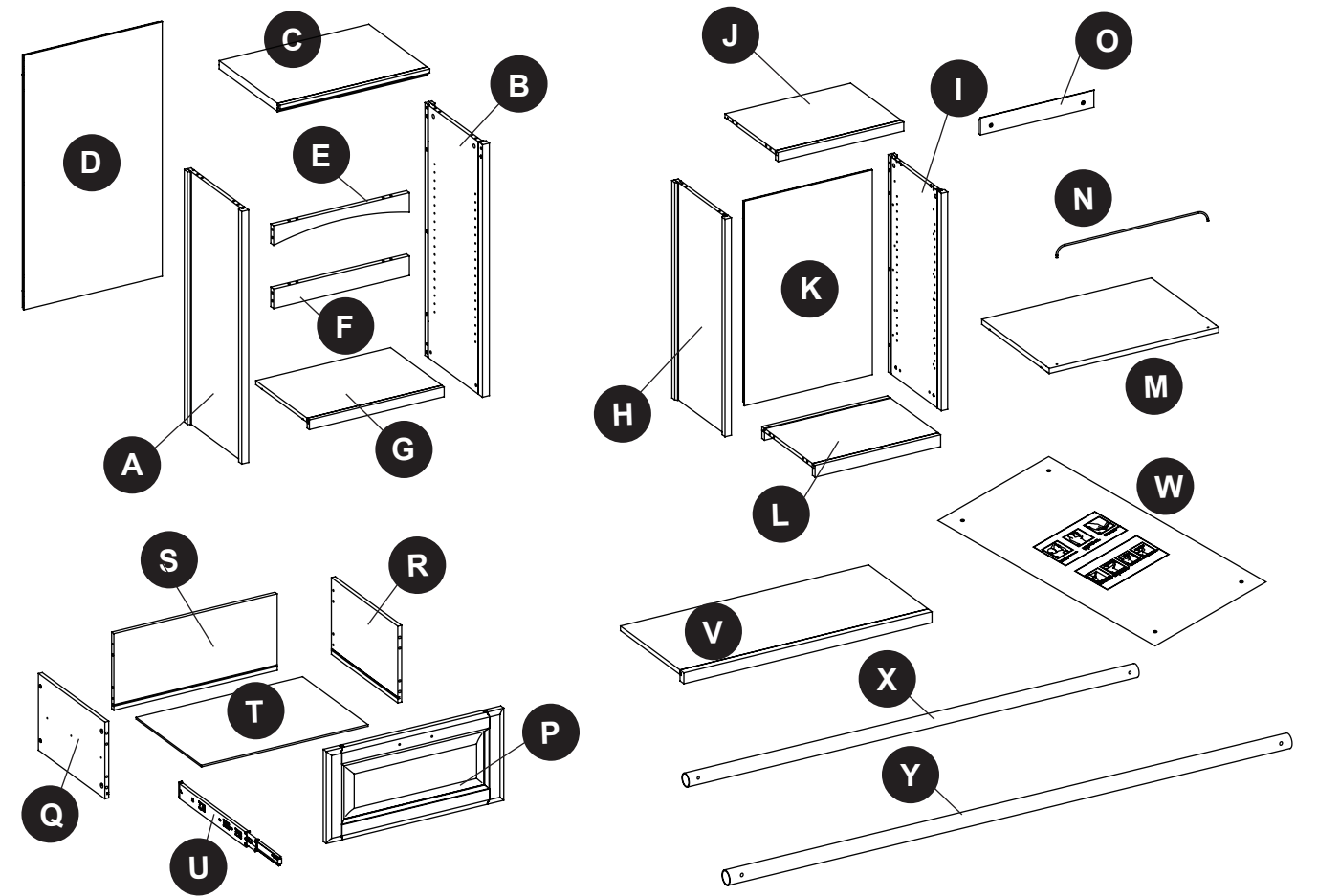
Fonctionnement du système Camloc	23
Contenu de l'emballage.....	24
Quincaillerie incluse.....	25
Consignes de sécurité.....	27
Préparation	27
Instructions pour l'assemblage.....	28
Entretien	38
Dépannage.....	38
Garantie.....	40
Liste des pièces de rechange.....	40

FONCTIONNEMENT DU SYSTÈME CAMLOC



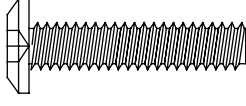
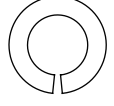
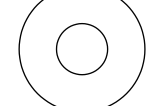
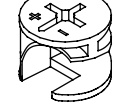
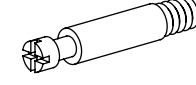

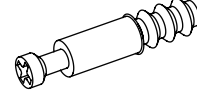



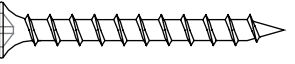
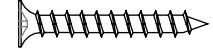
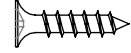

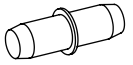
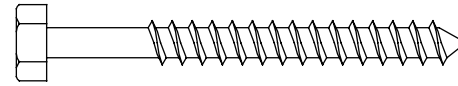
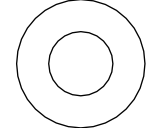
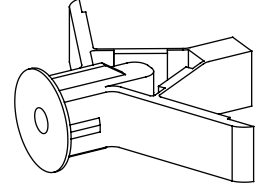
1. Vissez les vis Camloc dans les petits trous déjà percés sur le panneau.
2. Insérez les attaches Camloc dans les grands trous déjà percés sur le panneau.
3. Assurez-vous que les flèches sur les attaches Camloc pointent vers les vis Camloc.
4. Reliez les deux panneaux ensemble, en vous assurant que les vis Camloc s'insèrent correctement dans les trous déjà percés situés à l'extrémité du panneau sur lequel sont installées les attaches Camloc.
5. Une fois les vis Camloc insérées dans les attaches Camloc, serrez les attaches Camloc dans le sens des aiguilles d'une montre à l'aide d'un tournevis cruciforme.

CONTENU DE L'EMBALLAGE



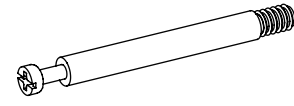

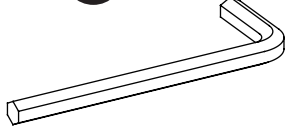
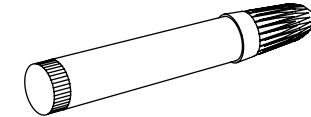
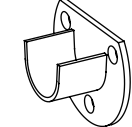
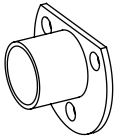



PIÈCE	DESCRIPTION	QUANTITÉ	PIÈCE	DESCRIPTION	QUANTITÉ
A	Panneau gauche de l'étagère	1	L	Panneau inférieur de la base	1
B	Panneau droit de l'étagère	1	M	Porte - chaussures	1
C	Panneau supérieur de l'étagère	1	N	Prise de fil	1
D	Panneau arrière de l'étagère	1	O	Traverse de fixation au mur	2
E	Entretoise avant courbée	1	P	Devant du tiroir	1
F	Entretoise avant droite	1	Q	Panneau gauche du tiroir	1
G	Tablette réglable	1	R	Panneau droit du tiroir	1
H	Panneau gauche de la base	1	S	Panneau arrière du tiroir	1
I	Panneau droit de la base	1	T	Fond du tiroir	1
J	Panneau supérieur de la base	1	U	Glissière	2
K	Panneau arrière de la base	1	V	Tablette longue	2
			W	Gabarit pour l'installation	1
			X	Tringle métallique de 22 mm	3
			Y	Tringle métallique de 25 mm	3

QUINCAILLERIE INCLUSE (non illustrée à la grandeur réelle)

AA 	BB 	CC 	DD 	EE 
Boulon de 1/4 po x 1 1/4 po Qté. 12	Rondelle de blocage Qté. 12	Rondelle plate Qté. 12	Grande attache Camloc Qté. 30	Vis Camloc moyenne Qté. 26
FF 	GG 	HH 	II 	JJ 
Petite attache Camloc Qté. 4	Petite vis Camloc Qté. 4	Goujon de bois long Qté. 30	Goujon de bois court Qté. 8	Vis M6 de 10 mm Qté. 4
KK 	LL 	MM 	NN 	
Vis à bois M4 de 38 mm Qté. 17	Vis à bois M4 de 25 mm Qté. 4	Vis à bois M4 de 14 mm Qté. 33	Vis à bois M3.5 de 12 mm Qté. 6	
OO 	PP 	QQ 	RR 	
Taquet pour tablette Qté. 8	Tire-fond M8 de 2 1/2 po Qté. 4	Grande rondelle plate Qté. 4	Cheville d'ancrage Qté. 8	

QUINCAILLERIE INCLUSE (non illustrée à la grandeur réelle)

SS 	TT 	UU 	VV 
Support en L Qté. 8	Poignée de tiroir Qté. 1	Grande vis Camloc Qté. 4	Écrou à portée cylindrique Qté. 4
WW 	XX 	YY 	ZZ 
Clé hexagonale M4 Qté. 1	Crayon à retouche Qté. 1 (non inclus avec l'article #5130290)	Support à tringle ouvert Qté. 3	Support à tringle fermé Qté. 3
AB 			
Vis autotaraudeuse M4 de 15 mm Qté. 6			

! CONSIGNES DE SÉCURITÉ

Assurez-vous de lire et de comprendre l'intégralité du présent manuel avant de tenter d'assembler, d'utiliser ou d'installer le produit.

- Ne laissez pas les enfants grimper ou jouer sur l'article ni autour de celui-ci.
- Assemblez l'article sur une surface solide, plane et protectrice, pour éviter de l'endommager.
- Deux personnes ou plus doivent travailler de concert pour installer cet article au mur.
- Assurez-vous que tous les boulons et toutes les vis sont bien serrés avant d'utiliser l'article.
- Vérifiez les boulons et les vis régulièrement et serrez-les au besoin.

! AVERTISSEMENT

• CET ARTICLE NE PEUT SUPPORTER QUE LA CHARGE MAXIMALE INDIQUÉE. L'UTILISATION DE CET ARTICLE AVEC DES PRODUITS DONT LE POIDS DÉPASSE LA CHARGE MAXIMALE INDIQUÉE PEUT ENTRAÎNER DE L'INSTABILITÉ ET CAUSER DES BLESSURES. RÉPARTISSEZ LA CHARGE DE FAÇON UNIFORME.

- Charge maximale de la tablette : 13,61 kg
- Charge maximale de la tringle : 18,14 kg
- Longueur maximale de la tringle : 152,40 cm

ATTENTION

- Utilisez cet article uniquement pour l'usage auquel il est destiné.
- N'utilisez pas les tablettes comme s'il s'agissait d'une échelle.

PRÉPARATION

Avant de commencer l'assemblage de l'article, assurez-vous d'avoir toutes les pièces. Comparez le contenu de l'emballage avec la liste des pièces et celle de la quincaillerie incluse. S'il y a des pièces manquantes ou endommagées, ne tentez pas d'assembler l'article.

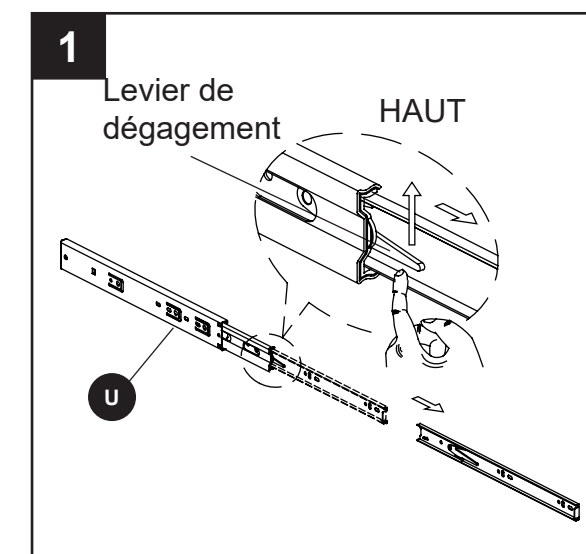
Temps d'assemblage approximatif : 120 minutes

Outils nécessaires pour l'assemblage (non inclus) : tournevis cruciforme, perceuse électrique, foret de 3/16 po, foret de 3/8 po, clé à douille de 1/2 po, niveau, détecteur de montants, crayon, ruban à mesurer, escabeau et marteau.

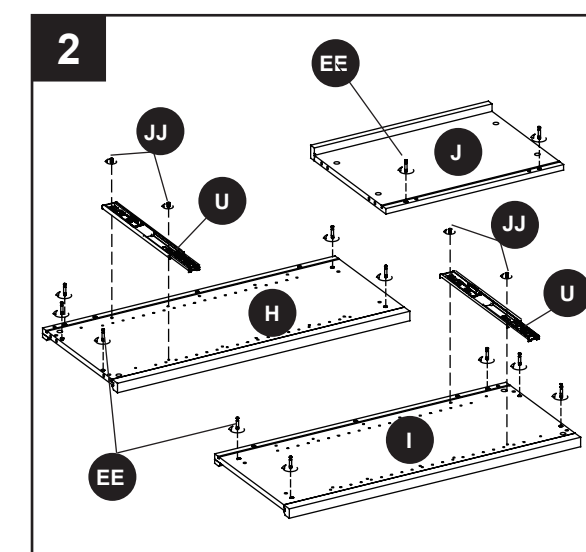
INSTRUCTIONS POUR L'ASSEMBLAGE

Assemblage de la base

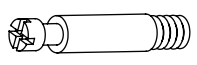

1. Appuyez sur le levier de dégagement sur les glissières (U) et retirez la pièce coulissante.



2. Fixez les glissières (U) au panneau gauche de la base (H) et au panneau droit de la base (I) à l'aide de vis M6 de 10 mm (JJ). Puis, insérez des vis Camloc moyennes (EE) dans le panneau gauche de la base (H), dans le panneau droit de la base (I) et dans le panneau supérieur de la base (J).



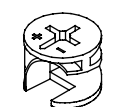
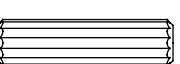
Quincaillerie utilisée

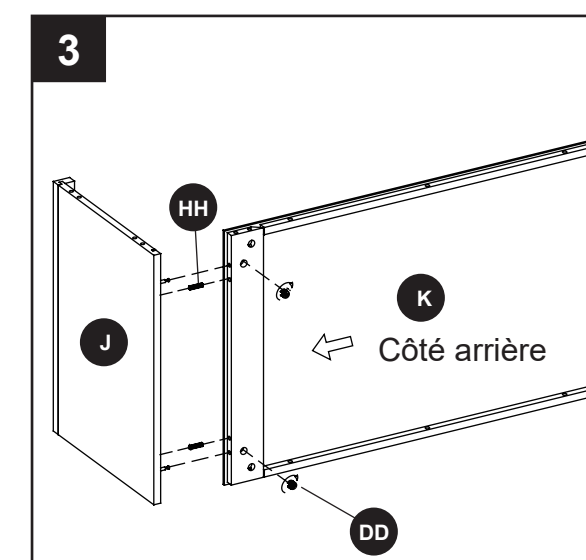
- | | | | |
|----|--------------------|---|------|
| EE | Vis Camloc moyenne |  | x 12 |
| JJ | Vis M6 de 10 mm |  | x 4 |

3. Fixez le panneau arrière de la base (K) et le panneau supérieur de la base (J) à l'ensemble à l'aide de goujons de bois longs (HH) et de grandes attaches Camloc (DD).

Remarque : Assurez-vous que les vis Camloc moyennes (EE) que vous avez déjà installées sont entièrement enfoncées.

Quincaillerie utilisée

- | | | | |
|----|-----------------------|---|-----|
| DD | Grande attache Camloc |  | x 2 |
| HH | Goujon de bois long |  | x 2 |

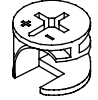
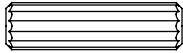


INSTRUCTIONS POUR L'ASSEMBLAGE

4. Fixez le panneau droit de la base (I) à l'ensemble à l'aide de goujons de bois longs (HH) et de grandes attaches Camloc (DD).

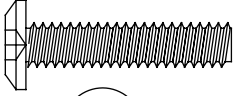


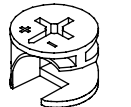
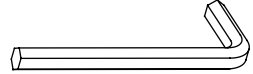
Remarque : Assurez-vous que les vis Camloc moyennes (EE) que vous avez déjà installées sont entièrement enfoncées.

Quincaillerie utilisée

DD	Grande attache Camloc		x 2
HH	Goujon de bois long		x 3

5. À partir de l'arrière de l'ensemble, fixez le panneau droit de la base (I) au panneau arrière de la base (K) à l'aide de rondelles plates (CC), de rondelles de blocage (BB) et de boulons (AA). Serrez les boulons à l'aide de la clé hexagonale (WW).

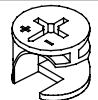

Quincaillerie utilisée

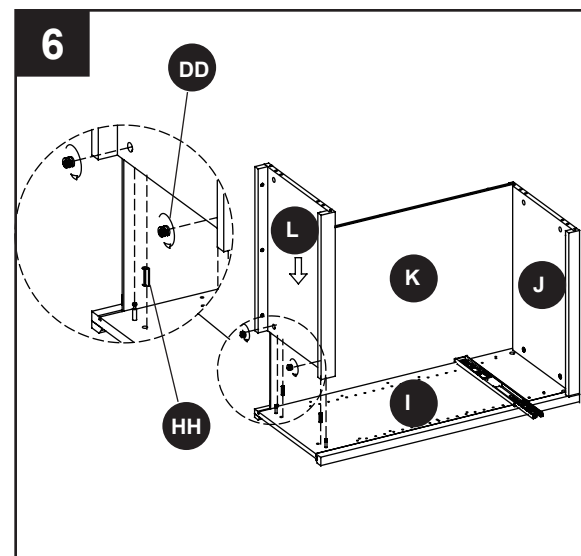
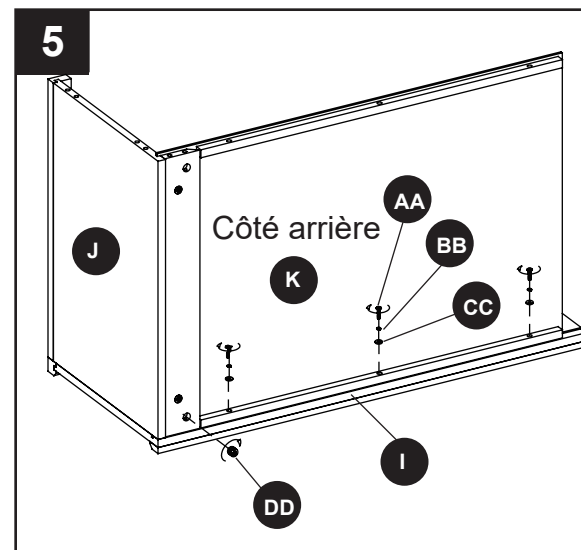
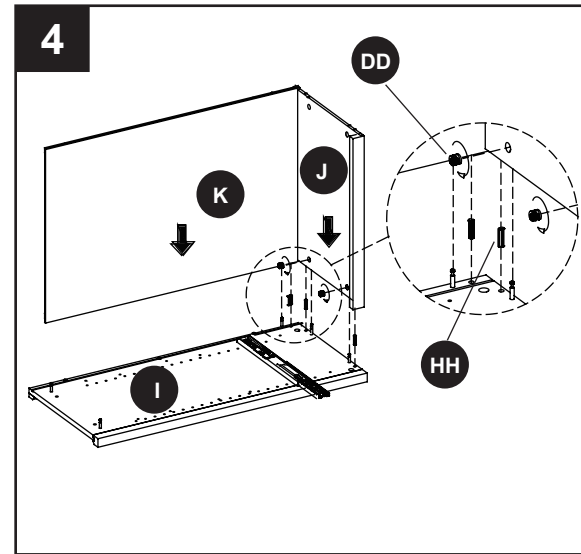
AA	Boulon		x 3
BB	Rondelle de blocage		x 3
CC	Rondelle plate		x 3
DD	Grande attache Camloc		x 1
WW	Clé hexagonale		x 1

6. Insérez le panneau arrière de la base (K) dans la fente du panneau inférieur de la base (L), puis fixez le panneau inférieur de la base (L) à l'ensemble à l'aide de goujons de bois longs (HH) et de grandes attaches Camloc (DD).

Remarque : Assurez-vous que les vis Camloc moyennes (EE) que vous avez déjà installées sont entièrement enfoncées.

Quincaillerie utilisée

DD	Grande attache Camloc		x 2
HH	Goujon de bois long		x 2

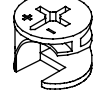
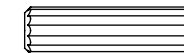


INSTRUCTIONS POUR L'ASSEMBLAGE

7. Fixez le panneau gauche de la base (H) à l'ensemble à l'aide de goujons de bois longs (HH) et de grandes attaches Camloc (DD).

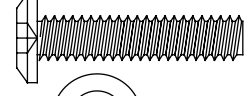


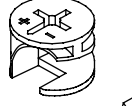
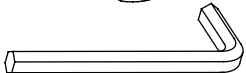
Remarque : Assurez-vous que les vis Camloc moyennes (EE) que vous avez déjà installées sont entièrement enfoncées.

Quincaillerie utilisée

DD	Grande attache Camloc		x 4
HH	Goujon de bois long		x 5

8. À partir de l'arrière de l'ensemble, fixez le panneau gauche de la base (H) au panneau arrière de la base (K) à l'aide de rondelles plates (CC), de rondelles de blocage (BB) et de boulons (AA). Serrez les boulons à l'aide de la clé hexagonale (WW).

Quincaillerie utilisée

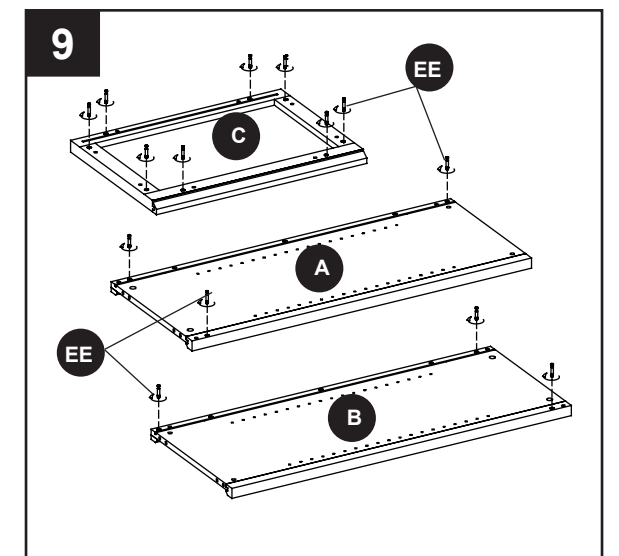
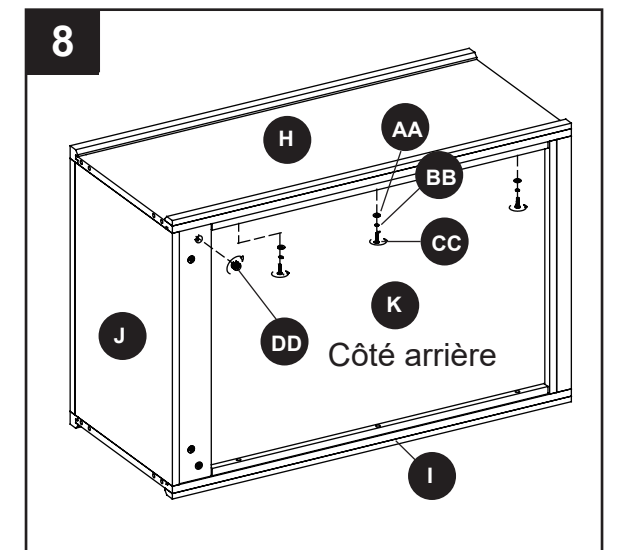
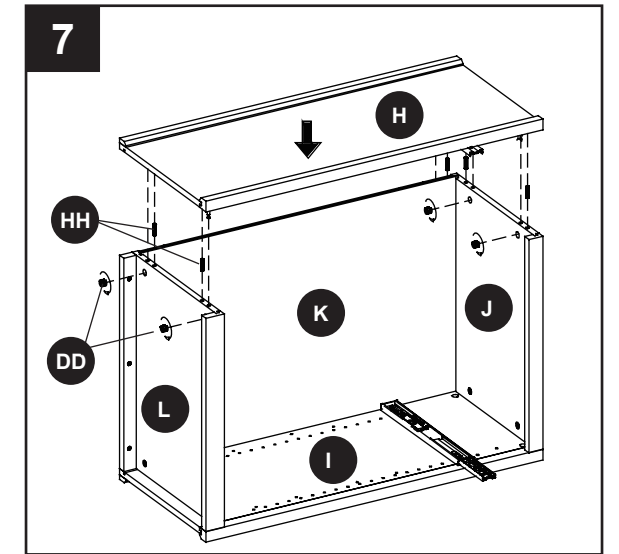
AA	Boulon		x 3
BB	Rondelle de blocage		x 3
CC	Rondelle plate		x 3
DD	Grande attache Camloc		x 1
WW	Clé hexagonale		x 1

Assemblage de l'étagère

9. Insérez les vis Camloc moyennes (EE) dans le panneau gauche de l'étagère (A), dans le panneau droit de l'étagère (B) et dans le panneau supérieur de l'étagère (C).

Quincaillerie utilisée

EE	Vis Camloc moyenne		x 14
-----------	--------------------	---	------

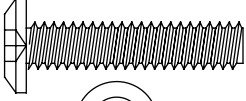
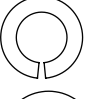
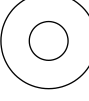
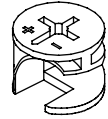

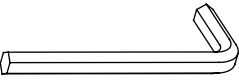


INSTRUCTIONS POUR L'ASSEMBLAGE

10. Fixez le panneau gauche de l'étagère (A) et le panneau droit de l'étagère (B) au panneau arrière (D), et Entretoise avant courbée (E) ou Entretoise avant droite (F) (selon le style de votre placard) à l'aide de goujons de bois longs (HH) et de grandes attaches Camloc (DD). À partir de l'arrière de l'ensemble, fixez solidement l'ensemble à l'aide de rondelles plates (CC), de rondelles de blocage (BB) et de boulons (AA). Serrez les boulons à l'aide de la clé hexagonale (WW). Ensuite, fixez l'ensemble au moyen de grandes attaches Camloc (DD).

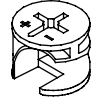
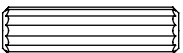
Remarque : Assurez-vous que les vis Camloc moyennes (EE) que vous avez déjà installées sont entièrement enfoncées.

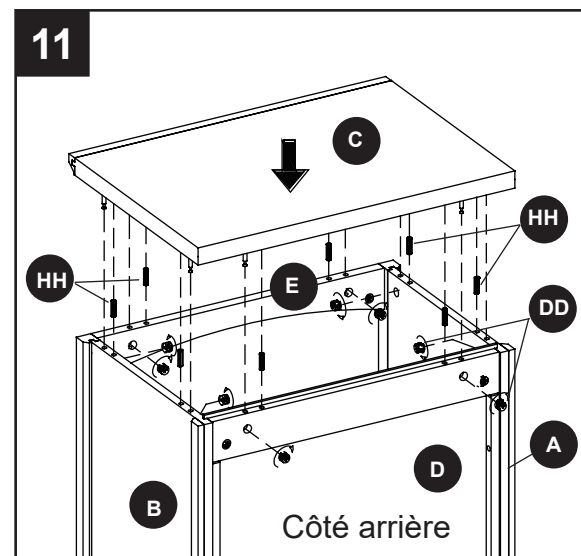
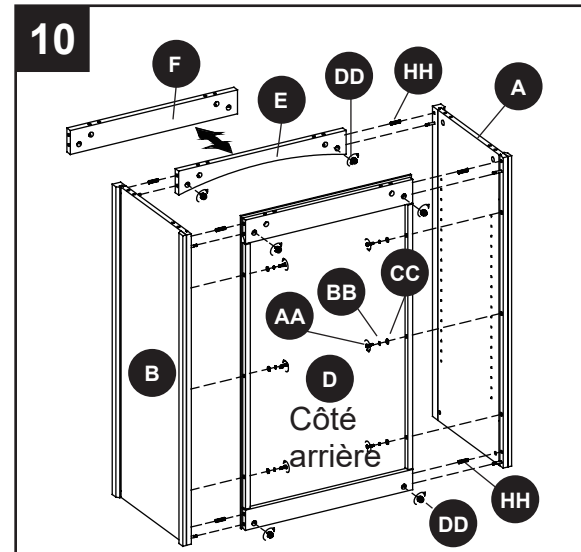
Quincaillerie utilisée

AA	Boulon		x 6
BB	Rondelle de blocage		x 6
CC	Rondelle plate		x 6
DD	Grande attache Camloc		x 6
HH	Goujon de bois long		x 6
WW	Clé hexagonale		x 1

11. Insérez des goujons en bois (HH) et de grandes attaches Camloc (DD) dans l'ensemble de l'étagère. Installez le panneau supérieur de l'étagère (C), puis fixez-le en serrant les grandes attaches Camloc (DD).

Quincaillerie utilisée

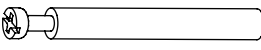

DD	Grande attache Camloc		x 8
HH	Goujon de bois long		x 8



INSTRUCTIONS POUR L'ASSEMBLAGE

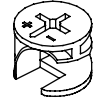

12. Déposez soigneusement l'ensemble de l'étagère sur le côté. Insérez des écrous à portée cylindrique (VV) et des grandes vis Camloc (UU) dans le bas de l'ensemble de l'étagère.

Quincaillerie utilisée

UU	Grande vis Camloc		x 4
VV	Écrou à portée cylindrique		x 4

13. Insérez des goujons de bois longs (HH) et des grandes attaches Camloc (DD) dans le panneau supérieur de la base (J). Puis, avec l'aide d'une autre personne, installez l'ensemble de l'étagère sur l'ensemble de la base et fixez le tout en serrant les grandes attaches Camloc (DD).
Remarque : Assurez-vous que les grandes vis Camloc (UU) que vous avez déjà installées sont entièrement enfoncées.



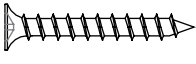
Quincaillerie utilisée

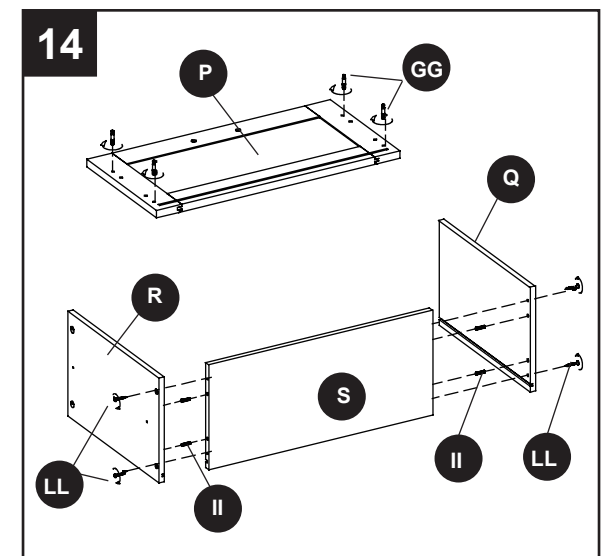
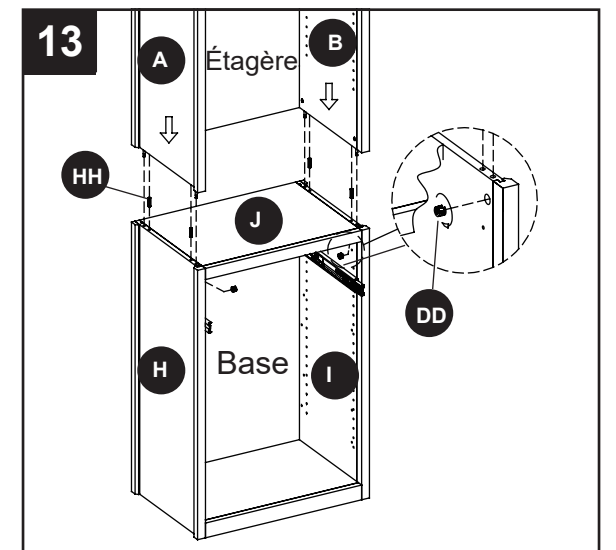
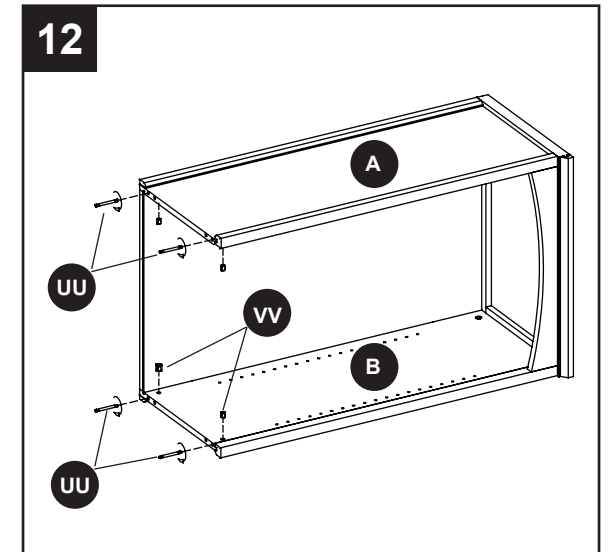
DD	Grande attache Camloc		x 4
HH	Goujon de bois long		x 4

Assemblage du tiroir

14. Installez les petites vis Camloc (GG) dans le devant du tiroir (P). Mettez-le de côté. Installez des goujons de bois courts (II) dans le panneau arrière du tiroir (S), puis fixez le panneau gauche (R) et le panneau droit (Q) du tiroir au panneau arrière (S) à l'aide de vis à bois M4 de 25 mm (LL).

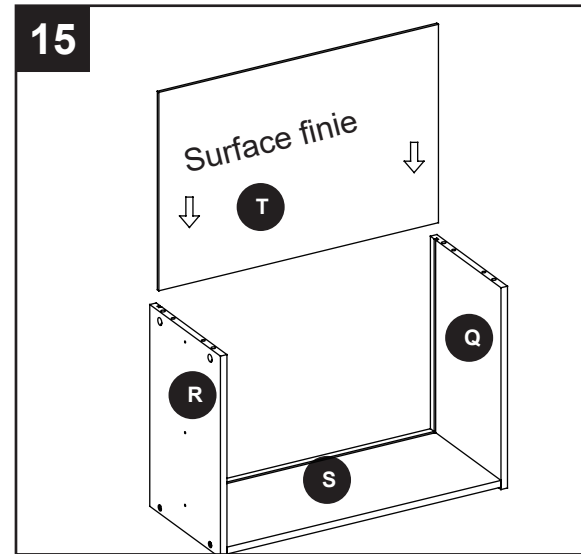
Quincaillerie utilisée

GG	Petite vis Camloc		x 4
II	Goujon de bois court		x 4
LL	Vis à bois M4 de 25 mm		x 4




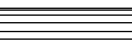
INSTRUCTIONS POUR L'ASSEMBLAGE

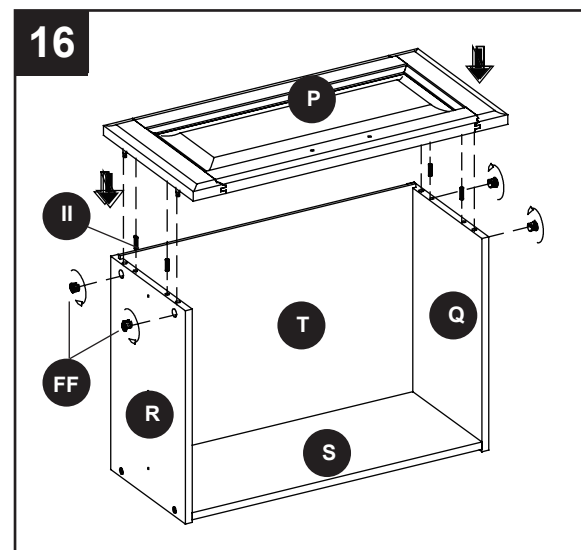
15. Insérez le fond du tiroir (T) dans le panneau gauche du tiroir (R), le panneau droit du tiroir (Q) et le panneau arrière du tiroir (S).



16. Insérez des goujons en bois courts (II) dans le panneau gauche du tiroir (R) et le panneau droit du tiroir (Q). Fixez le devant du tiroir (P) à l'aide de petites attaches Camloc (FF).

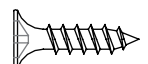

Quincaillerie utilisée

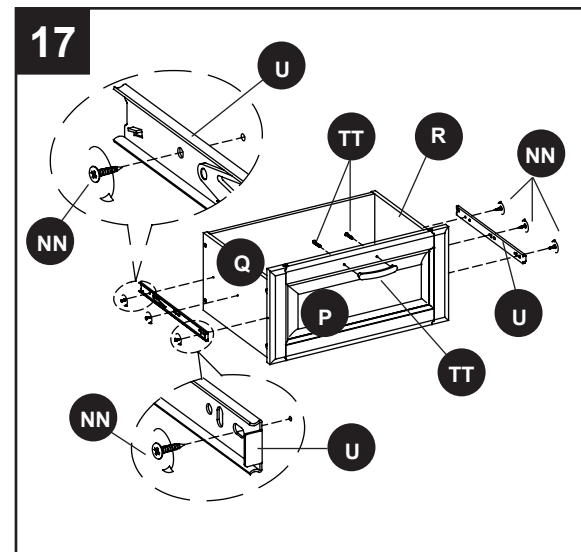
- | | | | |
|-----------|-----------------------|---|-----|
| FF | Petite attache Camloc |  | x 4 |
| II | Goujon de bois court |  | x 4 |



17. Fixez les pièces coulissantes des glissières que vous avez retirées précédemment (page 7, étape 1) au panneau gauche du tiroir (Q) et au panneau droit du tiroir (R) à l'aide de vis à bois M3.5 de 12 mm (NN). Puis, retirez le boulon préassemblé de la poignée du tiroir (TT). Insérez la poignée du tiroir (TT) dans le devant du tiroir (P), puis fixez-la à l'aide du boulon que vous venez de retirer.

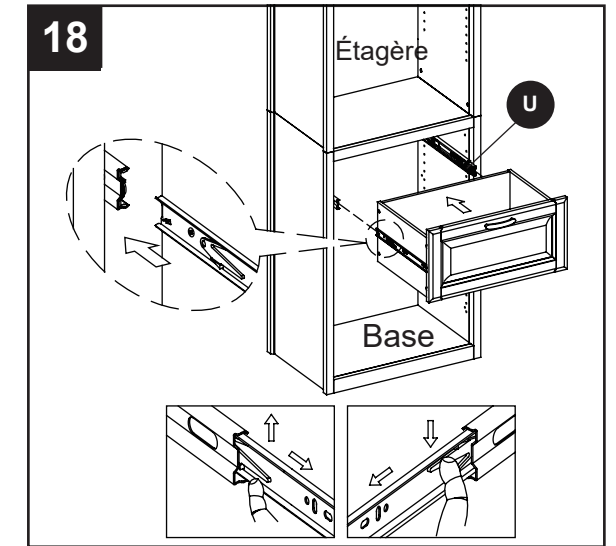
Quincaillerie utilisée

- | | | | |
|-----------|------------------------------|---|-----|
| NN | Vis à bois M3.5 de 12 mm |  | x 6 |
| TT | Poignée du tiroir et boulons |  | x 1 |



INSTRUCTIONS POUR L'ASSEMBLAGE

18. Insérez le tiroir dans l'ensemble en appuyant sur les leviers de dégagement des glissières et en faisant glisser le tiroir dans les glissières (U).

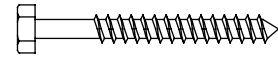



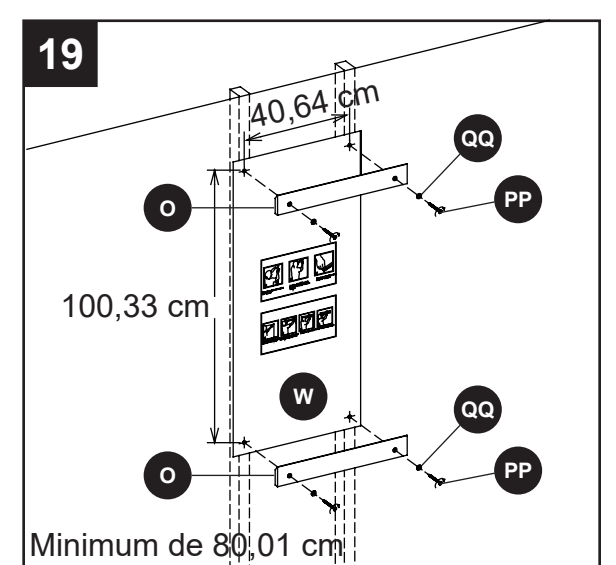
Installation au mur

19. À l'aide d'un détecteur de montants, repérez les bordures des montants. Trouvez le centre de chaque montant et tracez une ligne de référence verticale sur le mur. Placez le gabarit pour l'installation (W) sur le mur à l'endroit désiré.

Remarque : Le bas du gabarit pour l'installation (W) devrait être à une distance minimale de 80,01 cm du plancher. Marquez l'emplacement des trous à l'aide d'un crayon (non inclus) et enlevez le gabarit pour l'installation (W). Percez des avant-trous aux endroits marqués à l'aide d'un foret de 3/16 po. Puis, fixez les traverses de fixation au mur (O), le bord biseauté orienté vers le haut, à l'aide de grandes rondelles plates (QQ) et de tire-fonds (PP).

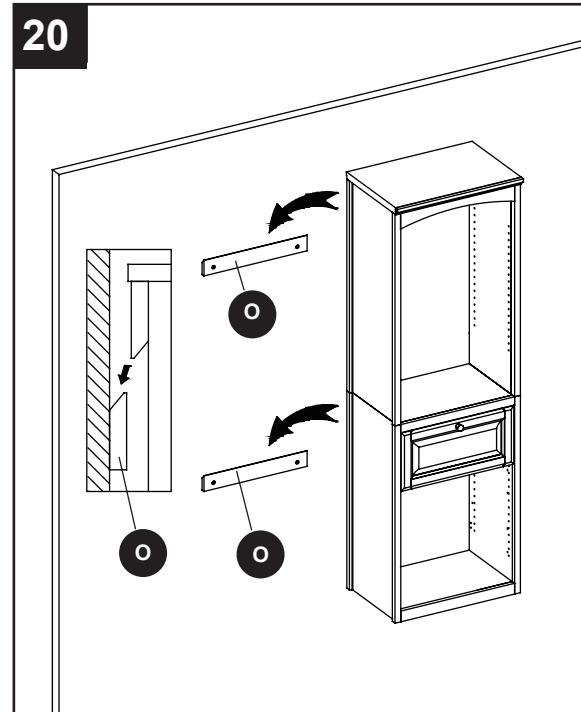
Quincaillerie utilisée

- | | | | |
|-----------|--------------------------|---|-----|
| PP | Tire-fond M8 de 2 1/2 po |  | x 4 |
| QQ | Grande rondelle plate |  | x 4 |



INSTRUCTIONS POUR L'ASSEMBLAGE

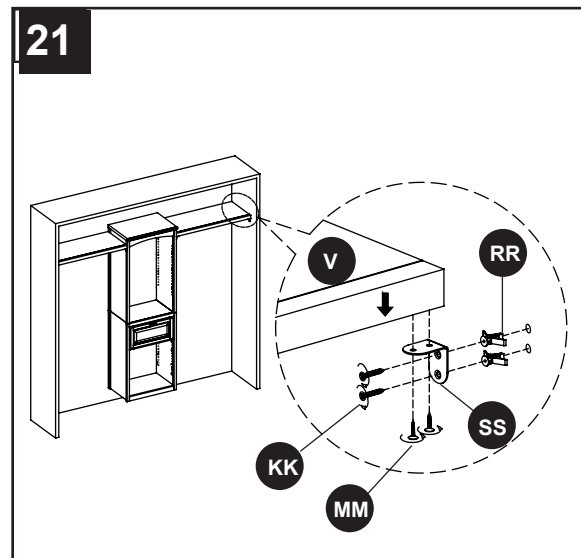
20. Avec l'aide d'une autre personne, installez soigneusement l'ensemble sur les traverses de fixation au mur (O).



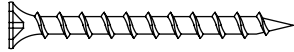
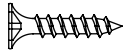
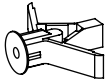

Installation de la tablette longue

Remarque : Si la tablette longue (V) doit être coupée pour tenir à l'intérieur de votre placard, coupez uniquement une extrémité de la tablette. N'utilisez pas une scie à métaux. Nous vous recommandons de faire appel à un professionnel pour ce type d'installation.

21. À l'aide d'un crayon, tracez une ligne horizontale à la hauteur à laquelle vous souhaitez poser la tablette longue (V). En vous guidant à l'aide des supports en L (SS), marquez l'emplacement des trous de vis. Percez des avant-trous d'une profondeur d'au moins 6,35 cm aux endroits marqués à l'aide d'un foret d'un diamètre de 3/8 po, puis insérez-y les chevilles d'ancrage (RR) jusqu'à ce qu'elles soient complètement encastrées dans le mur. Fixez les supports en L (SS) au mur à l'aide de vis M4 de 38 mm (KK) et à la tablette longue (V) au moyen de vis à bois M4 de 14 mm (MM).



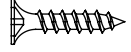

Quincaillerie utilisée

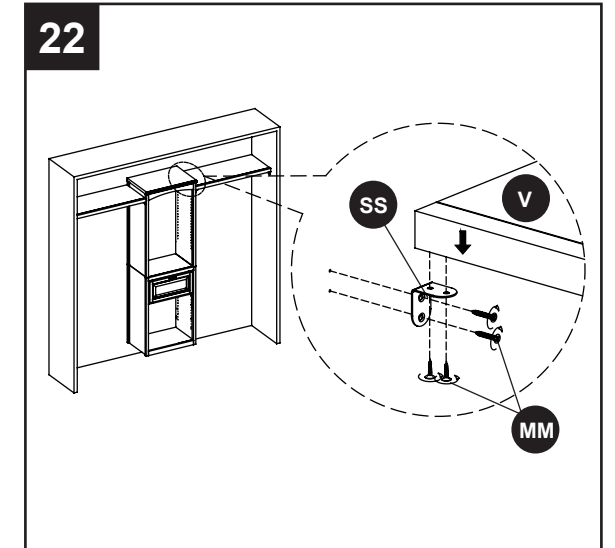
KK	Vis M4 de 38 mm		x 8
MM	Vis à bois M4 de 14 mm		x 8
RR	Cheville d'ancrage		x 8
SS	Support en L		x 4

INSTRUCTIONS POUR L'ASSEMBLAGE

22. Fixez les tablettes longues (V) au panneau gauche de l'étagère (A) et au panneau droit de l'étagère (B) à l'aide de supports en L (SS), fixant le tout au moyen de vis à bois M4 de 14 mm (MM).

Quincaillerie utilisée

MM	Vis à bois M4 de 14 mm		x 16
SS	Support en L		x 4

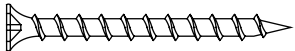
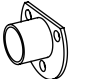
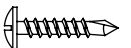


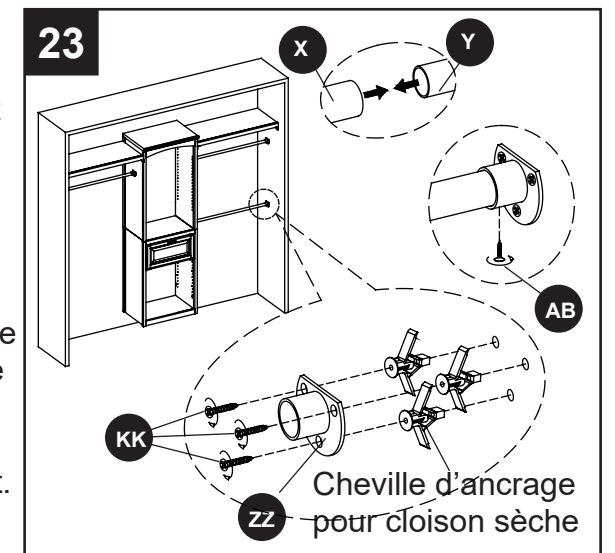
Installation des tringles

23. Insérez les tringles métalliques de 22 mm (X) dans les tringles métalliques de 25 mm (Y). En vous guidant à l'aide des supports à tringle fermés (ZZ), marquez l'emplacement des trous de vis. Percez des avant-trous d'une profondeur d'au moins 6,35 cm aux endroits marqués à l'aide d'un foret d'un diamètre de 3/8 po, puis insérez-y les chevilles d'ancrage pour cloison sèche (non incluses). Fixez les supports à tringle fermés (ZZ) à l'aide de vis M4 de 38 mm (KK). Insérez les tringles de 25 mm (Y) les supports à tringle fermés (ZZ) et fixez-les avec des vis autotaraudeuse M4 de 15 mm (AB).

Remarque : Les chevilles d'ancrage pour cloison sèche ne sont pas nécessaires si vous fixez les tringles à un montant.

Quincaillerie utilisée

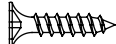
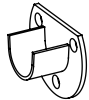
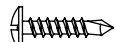
KK	Vis M4 de 38 mm		x 9
ZZ	Support à tringle fermé		x 3
AB	Vis autotaraudeuse M4 de 15 mm		x 3

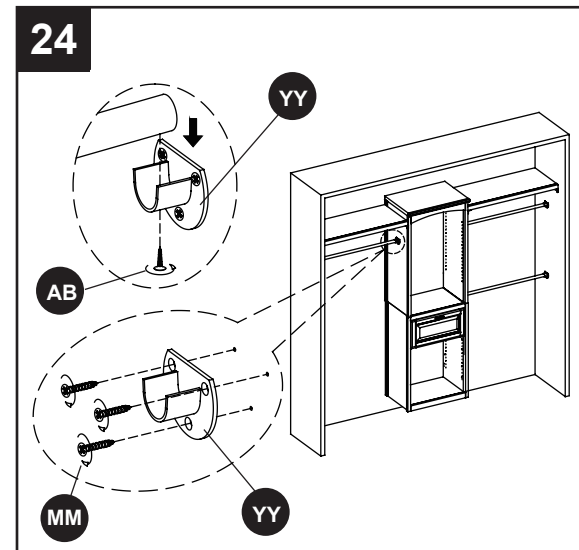


INSTRUCTIONS POUR L'ASSEMBLAGE

24. Fixez les supports à tringle ouverts (YY) au panneau gauche de l'étagère (A) et au panneau droit de l'étagère (B), fixant le tout au moyen de vis à bois M4 de 14 mm (MM). Insérez les tringles de 22 mm (X) dans les supports à tringle ouverts (YY) et fixez-les avec des vis autotaraudeuse M4 de 15 mm (AB).

Quincaillerie utilisée

- MM** Vis à bois M4 de 14 mm  x 9
- YY** Support à tringle ouvert  x 3
- AB** Vis autotaraudeuse M4 de 15 mm  x 3



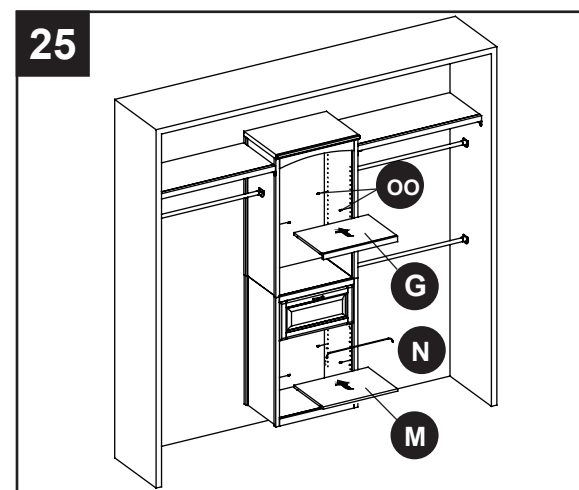
Installation de la tablette réglable

25. Installez les taquets pour tablette (OO) à la hauteur de votre choix dans l'étagère, installez les Prise de fil (N) à la porte -chaussures (M), puis placez la tablette réglable (G) et au porte - chaussures (M) dessus.

Remarque : Assurez-vous que les taquets pour tablette (OO) sont à la même hauteur.

Quincaillerie utilisée

- OO** Taquet pour tablette  x 8



ENTRETIEN

- Vérifiez périodiquement si les composants sont bien positionnés, en bon état et fermement montés.
- Utilisez un linge doux et propre qui n'égratignera pas la surface lorsque vous épousseterez l'article.
- N'utilisez jamais d'eau pour nettoyer l'article puisque vous risqueriez d'endommager le fini.
- Nettoyez l'article à l'aide d'un linge humide et d'un nettoyant doux. Essuyez-le à l'aide d'un linge propre.
- Si l'article est taché ou endommagé de quelque façon durant son utilisation, il est recommandé d'appeler un professionnel pour le faire réparer.
- Conservez l'article à l'abri du soleil pour éviter d'endommager le fini.
- Il est préférable que l'article soit gardé dans un endroit à température contrôlée. Les variations d'humidité et de température importantes peuvent décolorer, déformer, contracter et même fendre le bois.
- Un crayon à retouche (XX) est fourni (à l'exception de l'article #5130290) pour couvrir toute égratignure ou rayure qui pourrait survenir durant l'assemblage ou l'expédition.
- Si l'article #5130290 est endommagé et que des retouches sont nécessaires, veuillez appliquer un produit encaustique de qualité sur la surface endommagée. Le produit encaustique n'est pas fourni avec l'article.

DÉPANNAGE

PROBLÈME	CAUSE POSSIBLE	MESURE CORRECTIVE
Une extrémité de la tablette longue (V) flotte.	La largeur du placard est de plus de 2,44 m.	1. Achetez les supports pour tablette et les supports muraux correspondants (vendus séparément). 2. Remplacez la tablette longue (V) avec une plus longue d'un fini et d'un style similaires.
La tablette longue (V) ne peut être installée dans le placard.	La largeur du placard est de moins de 2,44 m.	1. Raccourcissez une extrémité de la tablette longue (V). Faites appel à un professionnel pour l'installation. 2. Remplacez la tablette longue (V) avec une plus courte d'un fini et d'un style similaires.
La tablette est inclinée.	Les supports muraux et les supports pour tablette ne sont pas installés à la même hauteur.	Utilisez un bon niveau pour vous assurer que les supports sont à la même hauteur.
Les pièces coulissantes ne glissent pas dans les glissières du tiroir.	Les pièces coulissantes sont inversées.	Réinstallez les pièces coulissantes et assurez-vous que leur ouverture pointe vers l'arrière.
Le tiroir ne glisse pas en douceur.	Les pièces coulissantes ne sont pas bien installées dans les glissières.	Retirez le tiroir et reprenez son installation.
Le jour autour du tiroir n'est pas uniforme.	Les pièces coulissantes ne sont pas de niveau.	Assurez-vous que les pièces coulissantes sont de niveau. Guidez-vous à l'aide des avant-trous.

DÉPANNAGE

PROBLÈME	CAUSE POSSIBLE	MESURE CORRECTIVE
Une des extrémités de la tringle ne tient pas correctement sur le support à tringle ouvert (YY).	L'ouverture du support à tringle ouvert n'est pas orientée vers le haut (à la verticale).	Utilisez un bon niveau pour vous assurer que le bord plat du support à tringle ouvert est de niveau au moment de l'installation.
La tringle est inclinée.	Le support à tringle ouvert et le support à tringle fermé ne sont pas à la même hauteur.	Utilisez un bon niveau pour vous assurer que les supports à tringle sont à la même hauteur.
Une vis s'est enfoncée dans le panneau latéral.	Des vis à bois M4 de 38 mm ont été utilisées pour fixer le support à tringle au côté de l'étagère.	Utilisez des vis à bois M4 de 14 mm.
La tour de rangement de placard est inclinée.	Les traverses de fixation au mur ne sont pas de niveau.	Réinstallez les traverses de fixation au mur, puis assurez-vous qu'elles sont de niveau.
La tour de rangement ne s'installe pas au mur.	Les emplacements des trous de montage ne sont pas corrects.	Réinstallez les traverses de fixation au mur; assurez-vous que la distance entre les deux traverses est de 100,33 cm et que les deux trous de montage inférieurs se trouvent à une distance minimale de 80,01 cm du plancher.

GARANTIE

La présente garantie n'est offerte qu'à l'acheteur initial (et ne s'applique pas aux tablettes). Si cet article présente des défauts de matériaux ou de fabrication, le fabricant choisira, à sa seule discrétion, de réparer ou de remplacer l'article sans frais. La garantie sera annulée si l'article a été assemblé incorrectement, a été utilisé de manière inappropriée ou abusive en le surchargeant ou en l'altérant d'une quelconque façon, ou a subi des dommages causés par un accident. La présente garantie est non transférable et ne couvre pas les ébréchures, l'écaillage, les égratignures, la rouille, les bosses et tout autre dommage à la surface de cet article. La responsabilité du fabricant se limite à la réparation et au remplacement de cet article. Le fabricant n'est pas responsable des dommages accessoires, consécutifs ou autres ni de toute perte causée par une défectuosité de l'article.

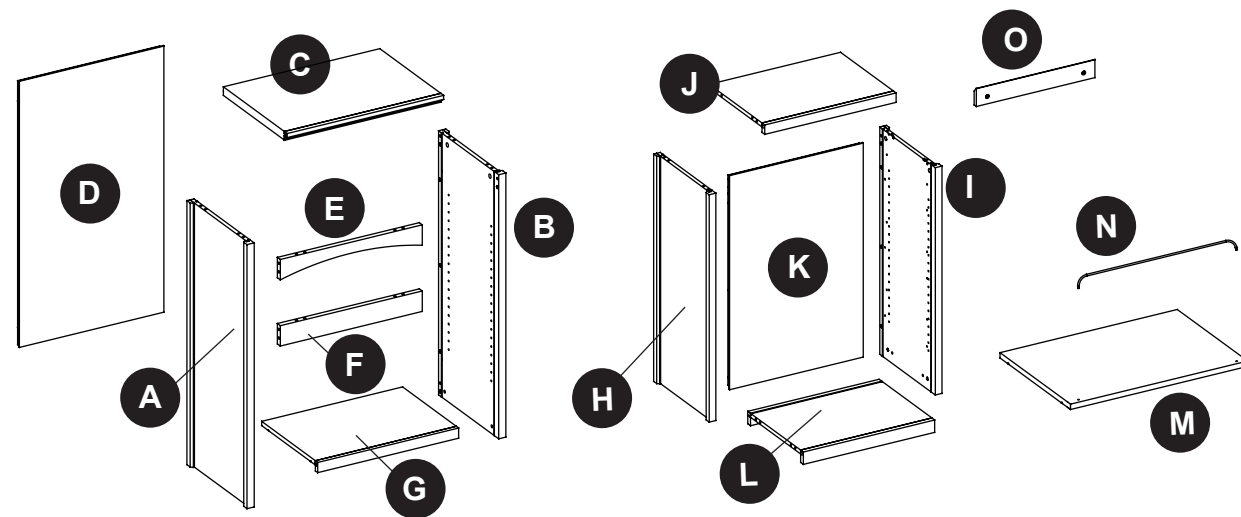
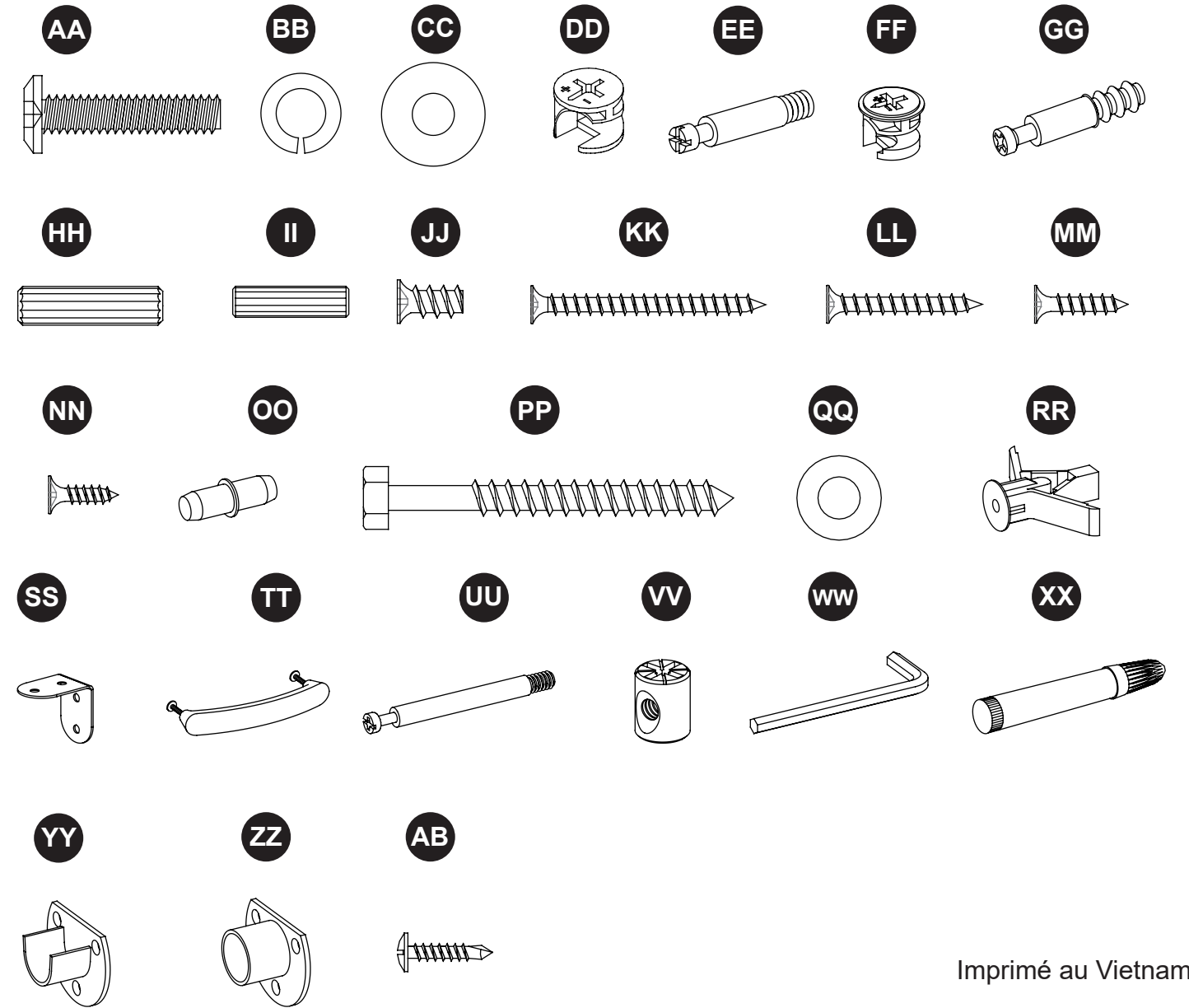
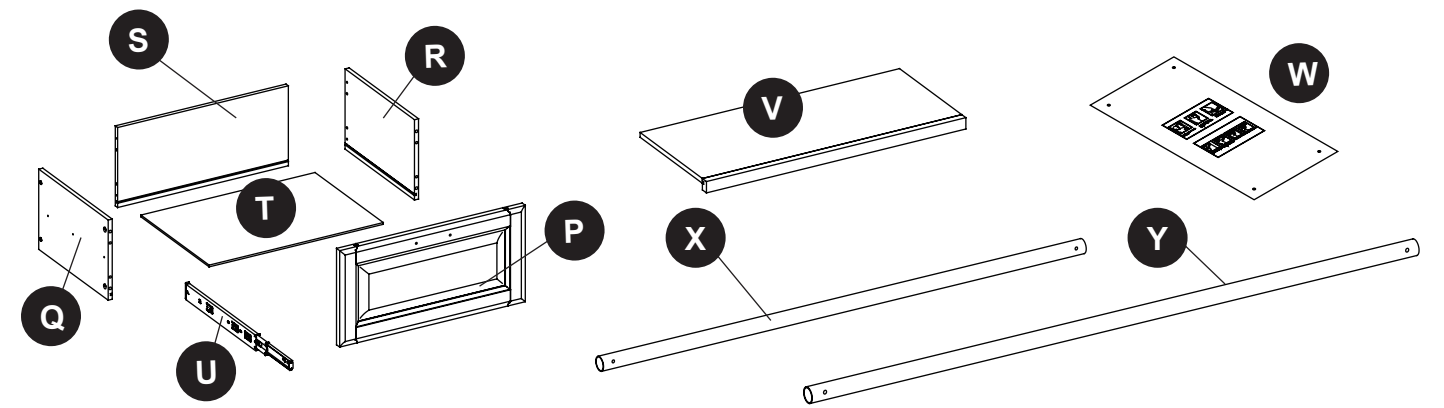
La présente garantie prévaut sur toute autre garantie explicite. Certains États ou certaines provinces ne permettent pas l'exclusion ou la limitation des dommages accessoires ou consécutifs, de sorte que la limitation ci-dessus peut ne pas s'appliquer à vous. Cette garantie vous confère des droits précis. Il est possible que vous disposiez d'autres droits, qui varient d'un État ou d'une province à l'autre.

LISTE DES PIÈCES DE RECHANGE

Pour obtenir des pièces de rechange, communiquez avec notre service à la clientèle au 1 866 439-9800, entre 8 h et 20 h (HNE), du lundi au vendredi.

PIÈCE	DESCRIPTION	N° DE PIÈCE
A	Panneau gauche de l'étagère	00LWSCSC/LWSCSBW-1
B	Panneau droit de l'étagère	00LWSCSC/LWSCSBW-2
C	Panneau supérieur de l'étagère	00LWSCSC/LWSCSBW-3
D	Panneau arrière de l'étagère	00LWSCSC/LWSCSBW-4
E	Entretoise avant courbée	00LWSCSC/LWSCSBW-5
F	Entretoise avant droite	00LWSCSC/LWSCSBW-6
G	Tablette réglable	00LWSCSC/LWSCSBW-7
H	Panneau gauche de la base	00LWSCSC/LWSCSBW-8
I	Panneau droit de la base	00LWSCSC/LWSCSBW-9
J	Panneau supérieur de la base	00LWSCSC/LWSCSBW-10
K	Panneau arrière de la base	00LWSCSC/LWSCSBW-11
L	Panneau inférieur de la base	00LWSCSC/LWSCSBW-12
M	Porte - chaussures	00LWSCSC/LWSCSBW-13
N	Prise de fil	00LWSCSC/LWSCSBW-14
O	Traverse de fixation au mur	00LWSCSC/LWSCSBW-15
P	Devant du tiroir	00LWSCSC/LWSCSBW-16
Q	Panneau gauche du tiroir	00LWSCSC/LWSCSBW-17
R	Panneau droit du tiroir	00LWSCSC/LWSCSBW-18
S	Panneau arrière du tiroir	00LWSCSC/LWSCSBW-19
T	Fond du tiroir	00LWSCSC/LWSCSBW-20
U	Glissière	00LWSCSC/LWSCSBW-21
V	Tablette longue	00LWSCSC/LWSCSBW-22
W	Gabarit pour l'installation	00LWSCSC/LWSCSBW-23

PIÈCE	DESCRIPTION	N° DE PIÈCE
X	Tringle métallique de 22 mm	00LWSCSC/LWSCSBW-24
Y	Tringle métallique de 25 mm	00LWSCSC/LWSCSBW-25
AA	Boulon	00LWSCSC/LWSCSBW-26
BB	Rondelle de blocage	00LWSCSC/LWSCSBW-27
CC	Rondelle plate	00LWSCSC/LWSCSBW-28
DD	Grande attache Camloc	00LWSCSC/LWSCSBW-29
EE	Vis Camloc moyenne	00LWSCSC/LWSCSBW-30
FF	Petite attache Camloc	00LWSCSC/LWSCSBW-31
GG	Petite vis Camloc	00LWSCSC/LWSCSBW-32
HH	Goujon de bois long	00LWSCSC/LWSCSBW-33
II	Goujon de bois court	00LWSCSC/LWSCSBW-34
JJ	Vis M6 de 10 mm	00LWSCSC/LWSCSBW-35
KK	Vis à bois M4 de 38 mm	00LWSCSC/LWSCSBW-36
LL	Vis à bois M4 de 25 mm	00LWSCSC/LWSCSBW-37
MM	Vis à bois M4 de 14 mm	00LWSCSC/LWSCSBW-38
NN	Vis à bois M3.5 de 12 mm	00LWSCSC/LWSCSBW-39
OO	Taquet pour tablette	00LWSCSC/LWSCSBW-40
PP	Tire-fond M8 de 2 1/2 po	00LWSCSC/LWSCSBW-41
QQ	Grande rondelle plate	00LWSCSC/LWSCSBW-42
RR	Cheville d'ancrage	00LWSCSC/LWSCSBW-43
SS	Support en L	00LWSCSC/LWSCSBW-44
TT	Poignée de tiroir	00LWSCSC/LWSCSBW-45
UU	Grande vis Camloc	00LWSCSC/LWSCSBW-46
VV	Écrou à portée cylindrique	00LWSCSC/LWSCSBW-47
WW	Clé hexagonale M4	00LWSCSC/LWSCSBW-48
XX	Crayon à retouche	00LWSCSC/LWSCSBW-49
YY	Support à tringle ouvert	00LWSCSC/LWSCSBW-50
ZZ	Support à tringle fermé	00LWSCSC/LWSCSBW-51
AB	Vis autotaraudeuse M4 de 15 mm	00LWSCSC/LWSCSBW-52
	Quincaillerie complète	00LWSCSC/LWSCSBW-53



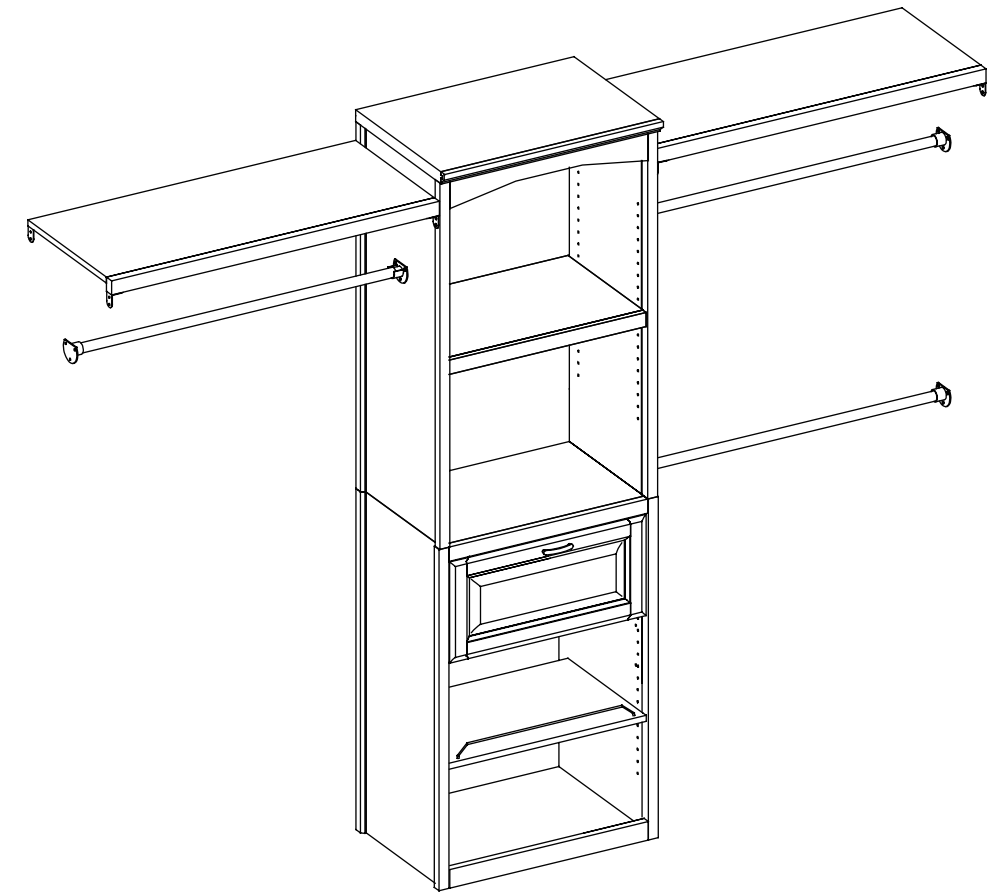
Imprimé au Vietnam

allen + roth® est une marque de commerce déposée de LF, LLC. Tous droits réservés.

Lowes.com/allenandroth allen + roth

allen + roth®

welcoming • sophisticated • inspiring



allen + roth® es una marca registrada de LF, LLC. Todos los derechos reservados.

ARTÍCULOS #5130289, 5130290

Kit de armario de madera

MODELOS # LWSCSC, LWSCSBW

ADJUNTE SU RECIBO AQUÍ

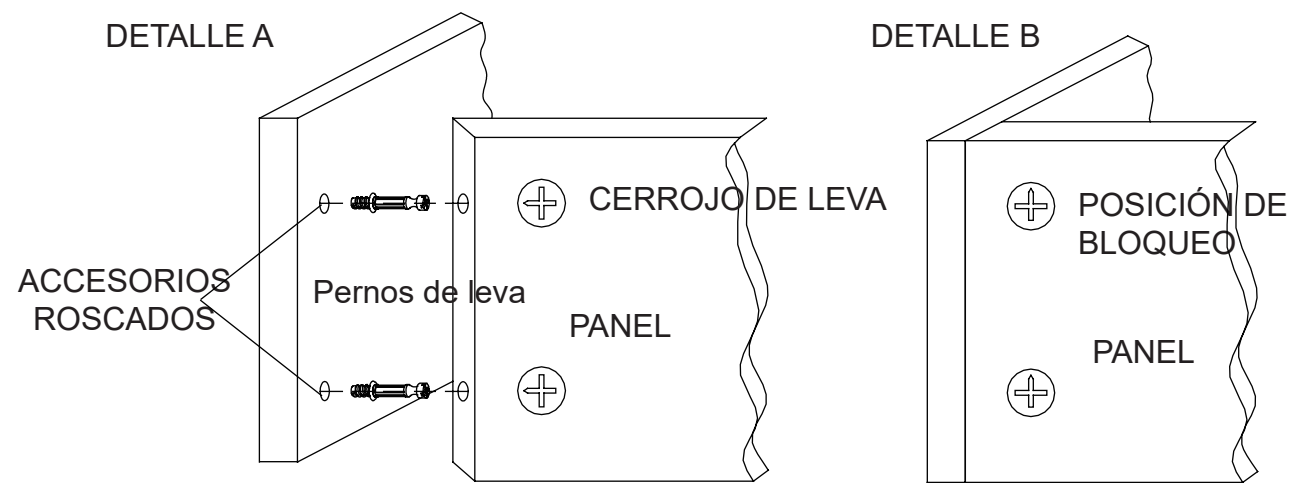
Número de serie _____ Fecha de compra _____

¿Preguntas, problemas, piezas faltantes? Antes de volver a la tienda, llame a nuestro Departamento de Servicio al Cliente al 1-866-439-9800, de lunes a viernes de 8 a.m. a 8 p.m., hora estándar del Este.

ÍNDICE

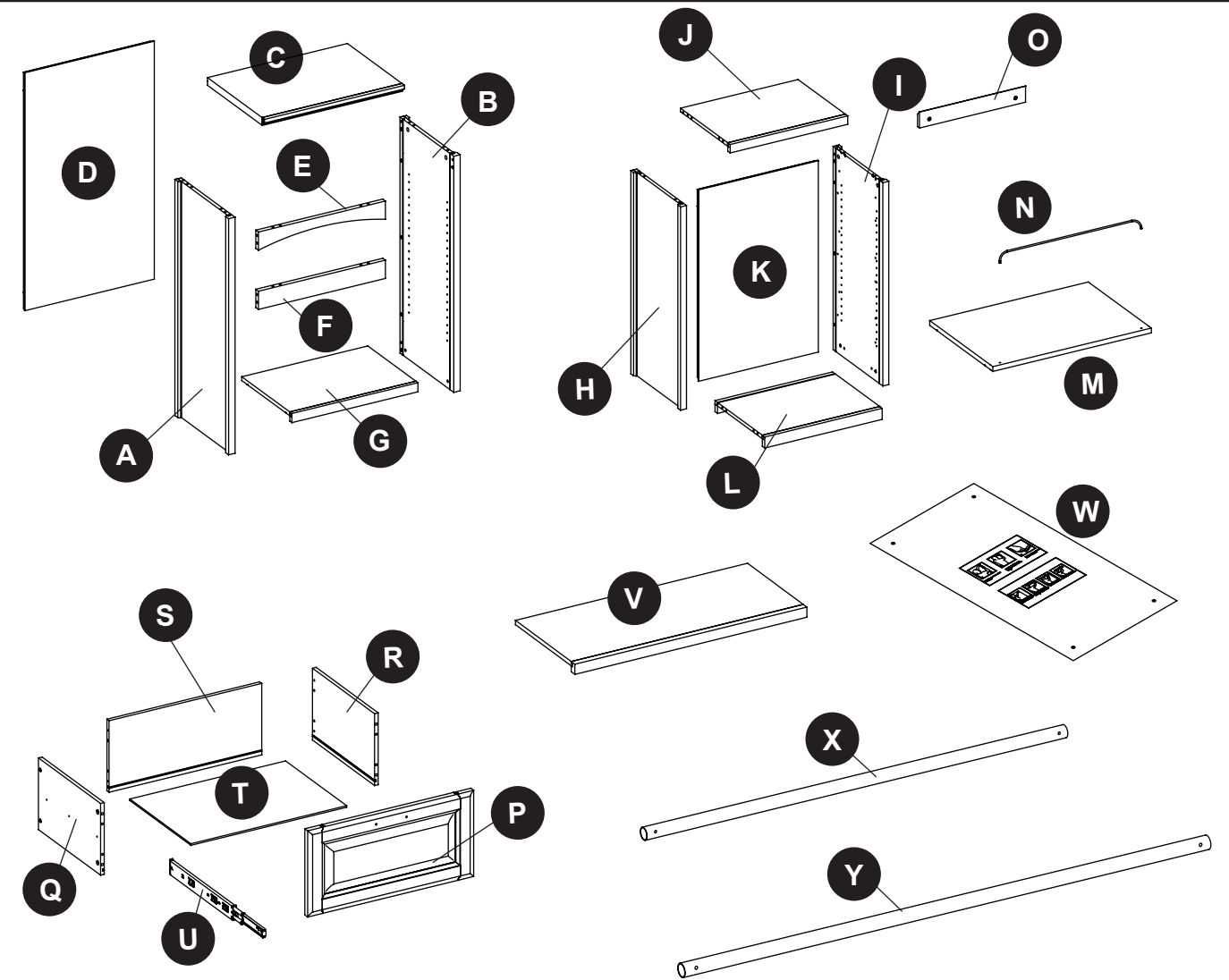
Funcionamiento del sistema de cerrojo de leva.....	44
Contenido del paquete.....	45
Aditamentos.....	46
Información de seguridad.....	48
Preparación.....	48
Instrucciones de ensamblaje.....	49
Cuidado y mantenimiento	59
Solución de problemas.....	59
Garantía.....	61
Lista de piezas de repuesto	61

FUNCIONAMIENTO DEL SISTEMA DE CERROJO DE LEVA



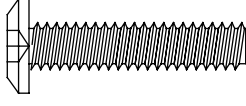
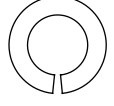
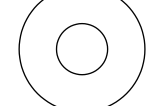
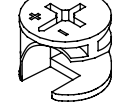
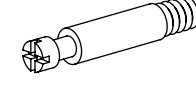

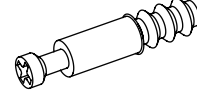



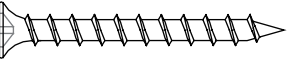
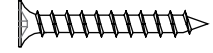
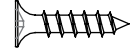

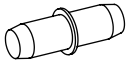
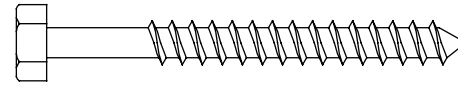
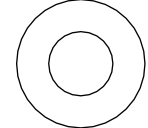
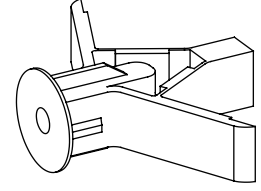
1. Atornille los pernos de leva a los orificios pequeños pretaladrados en el panel.
2. Introduzca el cerrojo de leva al orificio pretaladrado grande en el panel.
3. Asegúrese de que la flecha en el cerrojo de leva señale a los pernos de leva.
4. Una ambos paneles, y asegúrese de que los pernos de leva vayan dentro del orificio pretaladrado en el extremo del panel con cerrojo de leva.
5. Una vez que los pernos de leva estén conectados dentro del cerrojo de leva, tome el destornillador Phillips y apriete el cerrojo de leva en dirección de las manecillas del reloj.

CONTENIDO DEL PAQUETE



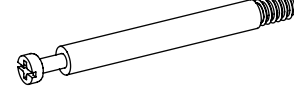

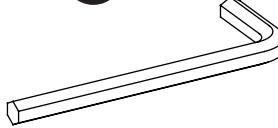
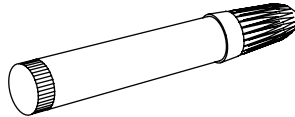
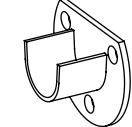
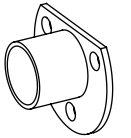



PIEZA	DESCRIPCIÓN	CANTIDAD	PIEZA	DESCRIPCIÓN	CANTIDAD
A	Panel de repisa izquierdo	1	O	Listón de colgante para pared	2
B	Panel de repisa derecho	1	P	Parte frontal de la gaveta	1
C	Panel de repisa superior	1	Q	Panel izquierdo de la gaveta	1
D	Panel de repisa posterior	1	R	Panel derecho de la gaveta	1
E	Extensor curvo frontal	1	S	Parte posterior de la gaveta	1
F	Extensor recto frontal	1	T	Parte inferior de la gaveta	1
G	Estante ajustable	1	U	Deslizador	2
H	Panel de base izquierdo	1	V	Estante largo	2
I	Panel de base derecho	1	W	Plantilla de instalación	1
J	Panel de base superior	1	X	Varilla de metal de 22 mm	3
K	Panel de base posterior	1	Y	Varilla de metal de 25 mm	3
L	Panel de base inferior	1			
M	Zapatero	1			
N	Tapón de alambre	1			

ADITAMENTOS (no se muestran en tamaño real)

AA 	BB 	CC 	DD 	EE 
Perno de 1/4 x 1-1/4 pulg	Arandela de seguridad	Arandela plana	Cerrojo de leva grande	Perno de leva mediano
Cant. 12	Cant. 12	Cant. 12	Cant. 30	Cant. 26
FF 	GG 	HH 	II 	JJ 
Cerrojo de leva pequeño	Perno de leva pequeño	Espiga grande de madera	Espiga pequeña de madera	Tornillo M6 x 10 mm
Cant. 4	Cant. 4	Cant. 30	Cant. 8	Cant. 4
KK 	LL 	MM 	NN 	
Tornillo para madera M4 x 38 mm	Tornillo para madera M4 x 25 mm	Tornillo para madera M4 x 14 mm	Tornillo para madera M3.5 x 12 mm	
Cant. 17	Cant. 4	Cant. 33	Cant. 6	
OO 	PP 	QQ 	RR 	
Pasador de estante	Tirafondo M8 x 2-1/2 pulg	Arandela plana grande	Ancla de expansión de pared	
Cant. 8	Cant. 4	Cant. 4	Cant. 8	

ADITAMENTOS (no se muestran en tamaño real)

SS 	TT 	UU 	VV 
Abrazadera en L	Manija de la gaveta	Perno de leva grande	Tuerca cilíndrica
Cant. 8	Cant. 1	Cant. 4	Cant. 4
WW 	XX 	YY 	ZZ 
Llave de tuercas Allen M4	Aplicador de retoque	Soporte de varilla abierto	Soporte de varilla cerrado
Cant. 1	Cant. 1 (no se incluye para el artículo #5130290)	Cant. 3	Cant. 3
AB 			
Tornillo autorroscante M4 x 15 mm			
Qty. 6			

! INFORMACIÓN DE SEGURIDAD

Lea y comprenda completamente este manual antes de intentar ensamblar, usar o instalar el producto.

- No permita que los niños se suban al producto o que jueguen cerca de él.
- Para evitar daños, ensamble este producto sobre una superficie segura, nivelada y resistente.
- Dos o más personas deben trabajar en conjunto para instalar la unidad en la pared.
- Asegúrese de que todos los pernos/tornillos estén bien apretados antes de usar la unidad.
- Revise periódicamente los tornillos/pernos y apriételos si es necesario.

! ADVERTENCIA

• ESTA UNIDAD ESTÁ DISEÑADA PARA UTILIZARSE SOLO CON EL PESO MÁXIMO ESPECIFICADO. EL USO CON PRODUCTOS QUE SUPEREN EL PESO MÁXIMO ESPECIFICADO PUEDE PRODUCIR INESTABILIDAD Y CAUSAR POSIBLES LESIONES. DISTRIBUYA EL PESO DE MANERA UNIFORME.

- Carga máxima de la repisa: 30 lb/13,61 kg
- Carga máxima de la varilla: 40 lb/18,14 kg
- Longitud máxima de la varilla: 60 pulg/152,4 cm

PRECAUCIÓN

- Use esta unidad solo para el fin para el cual se diseñó.
- No utilice los estantes como escalera de tijera.

PREPARACIÓN

Antes de comenzar a ensamblar el producto, asegúrese de tener todas las piezas. Compare las piezas con la lista del contenido del paquete y la lista de aditamentos. No intente ensamblar el producto si falta alguna pieza o si estas están dañadas.

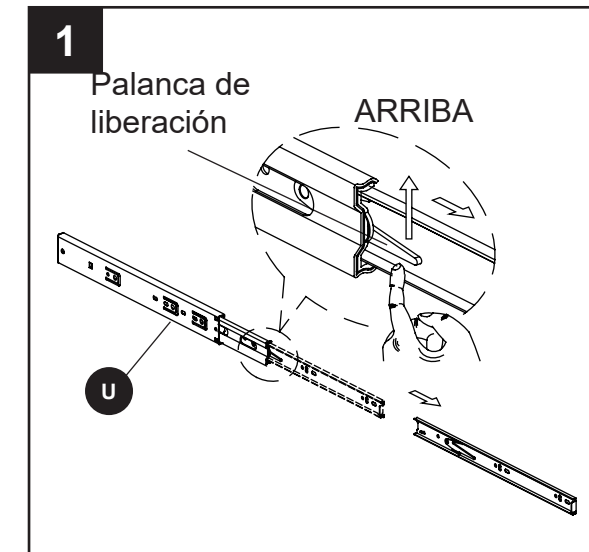
Tiempo estimado de ensamblaje: 120 minutos

Herramientas necesarias para el ensamblaje (no se incluyen): destornillador Phillips, taladro eléctrico, broca para taladro de 3/16 pulg, broca para taladro de 3/8 pulg, llave de tuercas, nivel, detector de vigas, lápiz para marcar, cinta métrica, escalera de tijera, y martillo.

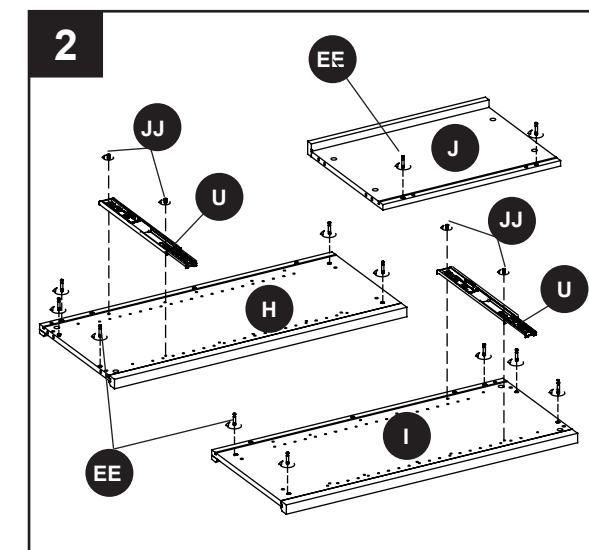
INSTRUCCIONES DE ENSAMBLAJE

Ensamblaje de la base

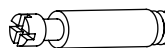

1. Presione la palanca de liberación en los deslizadores (U) y retire el riel de deslizamiento.



2. Fije los deslizadores (U) al panel de base izquierdo (H) y al panel de base derecho (I) con tornillos M6 x 10 mm (JJ). Luego, coloque los pernos de leva medianos (EE) en el panel de base izquierdo (H), el panel de base derecho (I) y el panel de base superior (J).



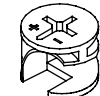
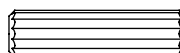
Aditamentos usados

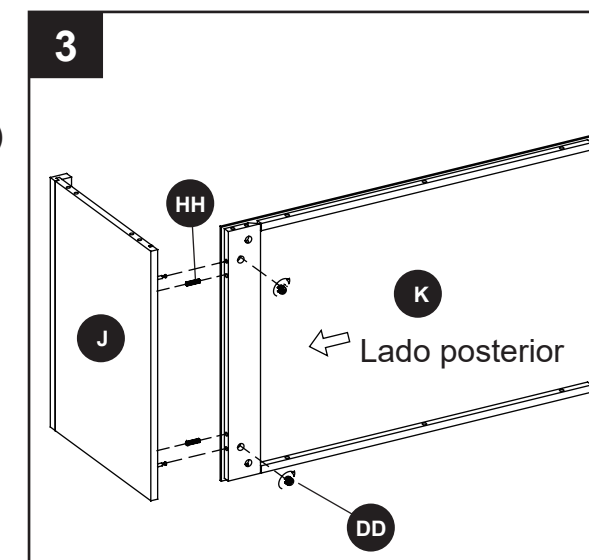
- **EE** Perno de leva mediano  x 12
- **JJ** Tornillo M6 x 10 mm  x 4

3. Fije el panel de base posterior (K) y el panel de base superior (J) al ensamblaje con las espigas grandes de madera (HH) y el cerrojo de leva grande (DD).

Nota: asegúrese de que los pernos de leva medianos (EE) previamente insertados estén totalmente asentados.

Aditamentos usados

- **DD** Cerrojo de leva grande  x 2
- **HH** Espiga grande de madera  x 2

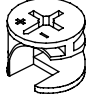
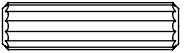


INSTRUCCIONES DE ENSAMBLAJE

4. Fije el panel de base derecho (I) al ensamblaje con las espigas grandes de madera (HH) y los cerrojos de leva grandes (DD).

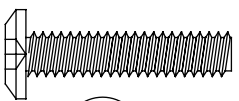
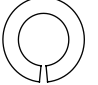
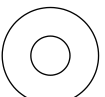
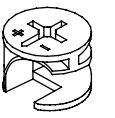
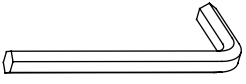
Nota: asegúrese de que los pernos de leva medianos (EE) previamente insertados estén totalmente asentados.

Aditamentos usados

- DD** Cerrojo de leva grande  x 2
- HH** Espiga grande de madera  x 3

5. En la parte posterior del ensamblaje, fije el panel de base derecho (I) al panel de base posterior (K) con arandelas planas (CC), arandelas de seguridad (BB) y pernos (AA). Apriételos con una llave de tuercas Allen (WW).

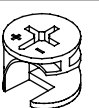
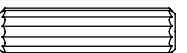
Aditamentos usados

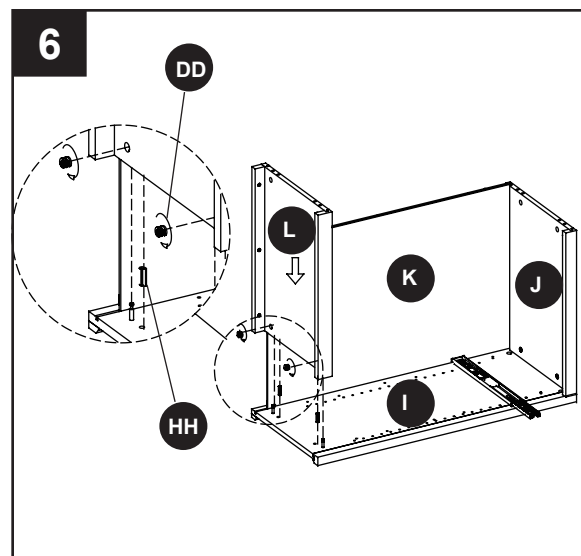
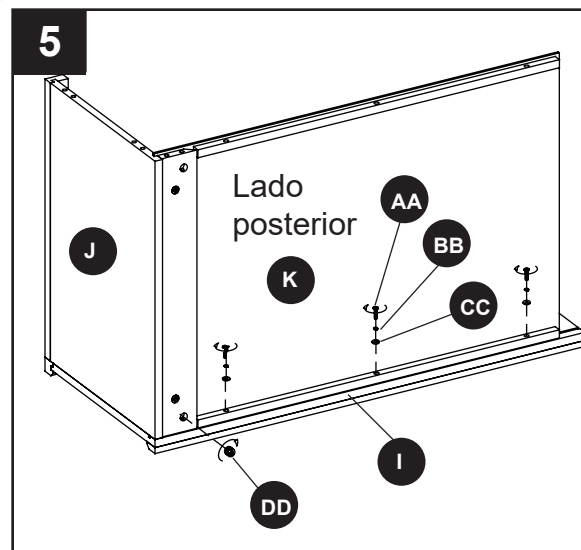
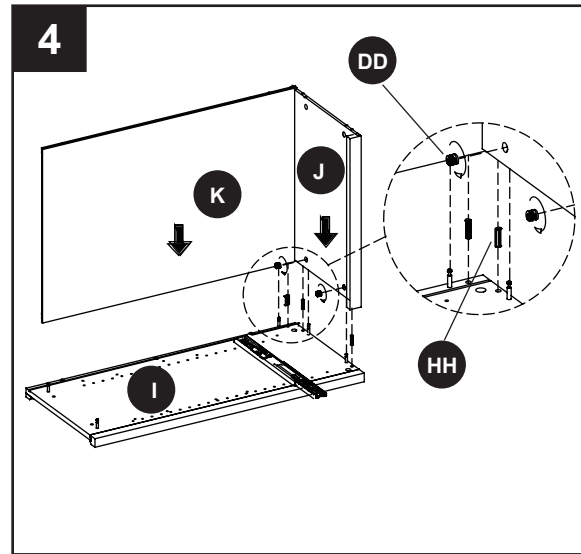
- AA** Perno  x 3
- BB** Arandela de seguridad  x 3
- CC** Arandela plana  x 3
- DD** Cerrojo de leva grande  x 1
- WW** Llave de tuercas Allen  x 1

6. Coloque el panel de base posterior (K) en de la ranura del panel de base inferior (L). Luego, fije el panel de base inferior (L) al ensamblaje con las espigas grandes de madera (HH) y los cerrojos de leva grandes (DD).

Nota: asegúrese de que los pernos de leva medianos (EE) previamente insertados estén totalmente asentados.

Aditamentos usados

- DD** Cerrojo de leva grande  x 2
- HH** Espiga grande de madera  x 2

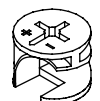
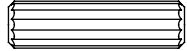


INSTRUCCIONES DE ENSAMBLAJE

7. Fije el panel de base izquierdo (H) al ensamblaje con las espigas grandes de madera (HH) y los cerrojos de leva grandes (DD).

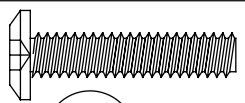

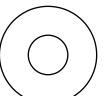
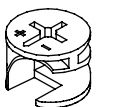

Nota: asegúrese de que los pernos de leva medianos (EE) previamente insertados estén totalmente asentados.

Aditamentos usados

- DD** Cerrojo de leva grande  x 4
- HH** Espiga grande de madera  x 5

8. En la parte posterior del ensamblaje, fije el panel de base izquierdo (H) al panel de base posterior (K) con las arandelas planas (CC), arandelas de seguridad (BB) y pernos (AA). Apriételos con una llave de tuercas Allen (WW).

Aditamentos usados

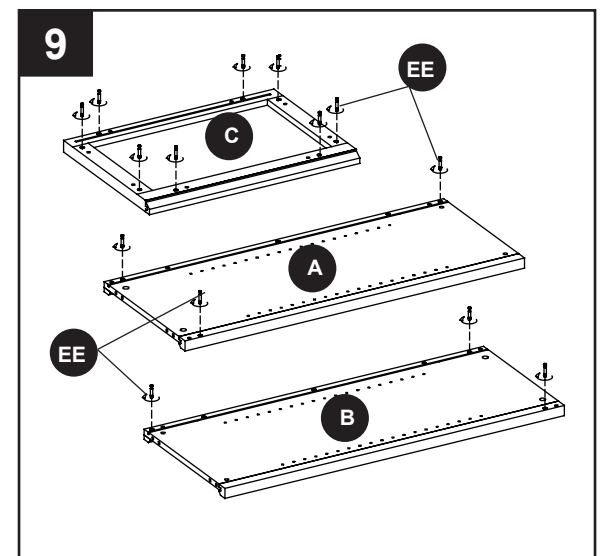
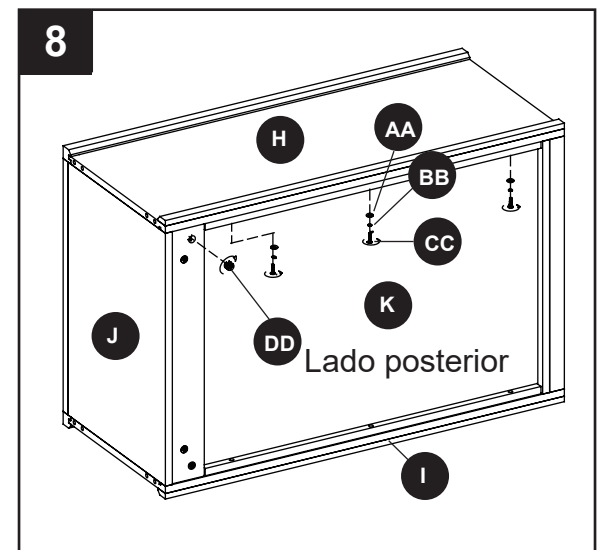
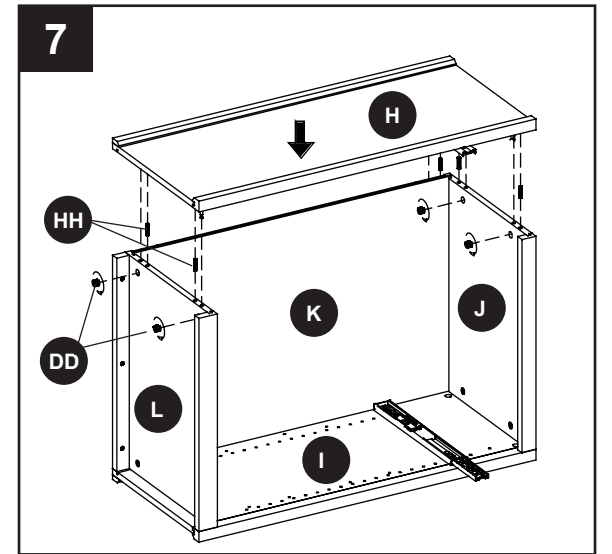
- AA** Perno  x 3
- BB** Arandela de seguridad  x 3
- CC** Arandela plana  x 3
- DD** Cerrojo de leva grande  x 1
- WW** Llave de tuercas Allen  x 1

Ensamblaje de la repisa

9. Inserte los pernos de leva medianos (EE) en el panel de repisa izquierdo (A) y el panel de repisa derecho (B) y el panel de repisa superior (C).

Aditamentos usados

- EE** Perno de leva mediano  x 14



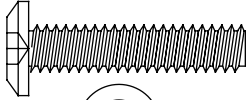

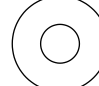

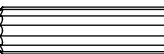
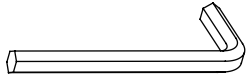
INSTRUCCIONES DE ENSAMBLAJE

10. Fije el panel de repisa izquierdo (A) y el panel de repisa derecho (B) al panel de repisa posterior (D) y al extensor curvo frontal (E) o al extensor recto frontal (F) (según cuál de estos se adapte al estilo de su armario) con espigas grandes de madera (HH) y cerrojos de leva grandes (DD). En la parte posterior del ensamblaje, use las arandelas planas (CC), las arandelas de seguridad (BB) y los pernos (AA) para asegurar la unidad. Apriételos con una llave de tuercas Allen (WW).

Luego, asegure el ensamblaje con cerrojos de leva grandes (DD).

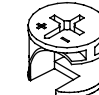

Nota: asegúrese de que los pernos de leva medianos (EE) previamente insertados estén totalmente asentados.

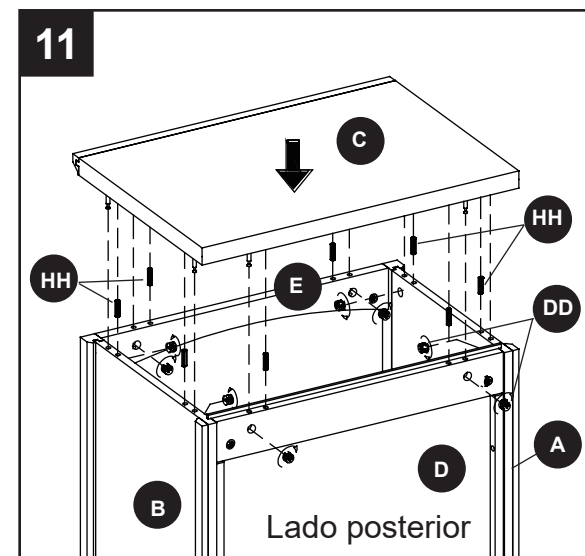
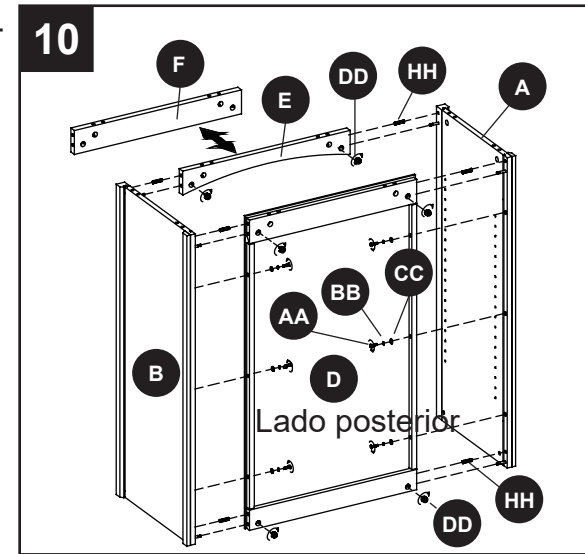
Aditamentos usados

AA	Perno		x 6
BB	Arandela de seguridad		x 6
CC	Arandela plana		x 6
DD	Cerrojo de leva grande		x 6
HH	Espiga grande de madera		x 6
WW	Llave de tuercas Allen		x 1

11. Inserte las espigas de madera (HH) y los cerrojos de leva grandes (DD) en el ensamblaje de la repisa. Fije el panel de repisa superior (C), y apriete los cerrojos de leva grandes (DD) para que el ensamblaje quede seguro.

Aditamentos usados

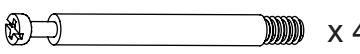

DD	Cerrojo de leva grande		x 8
HH	Espiga grande de madera		x 8

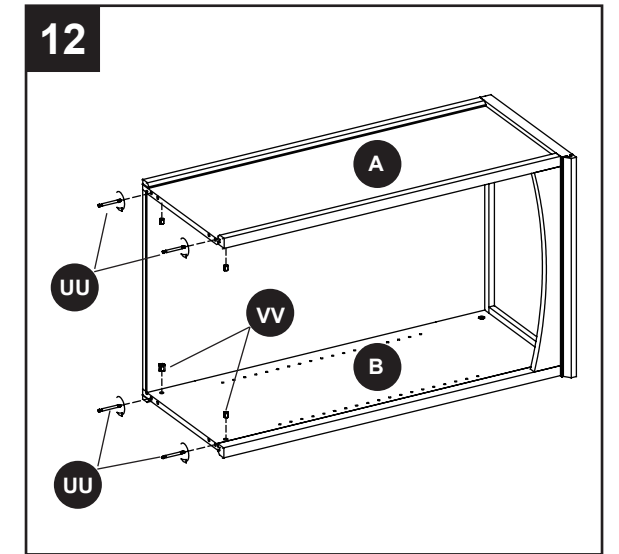


INSTRUCCIONES DE ENSAMBLAJE

12. Cuidadosamente, apoye el ensamblaje de la repisa de costado. Inserte las tuercas cilíndricas (VV) y los pernos de leva grandes (UU) en la parte inferior del ensamblaje de la repisa.

Aditamentos usados



UU	Perno de leva grande		x 4
VV	Tuerca cilíndrica		x 4

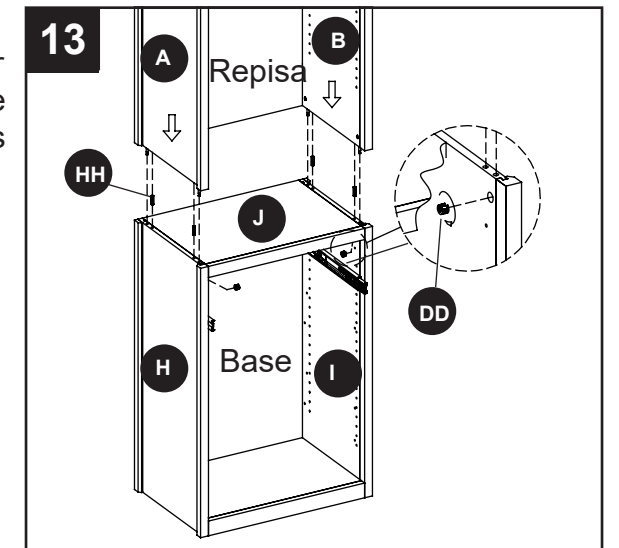


13. Coloque las espigas grandes de madera (HH) y los cerrojos de leva grandes (DD) en el panel de base superior (J). Luego, con la ayuda de otra persona, fije el ensamblaje de la repisa al ensamblaje de la base, y apriete los cerrojos de leva grandes (DD) para asegurar la unidad.

Nota: asegúrese de que los pernos de leva grandes (UU) previamente insertados estén totalmente asentados.

Aditamentos usados

DD	Cerrojo de leva grande		x 4
HH	Espiga grande de madera		x 4

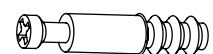

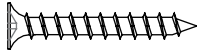


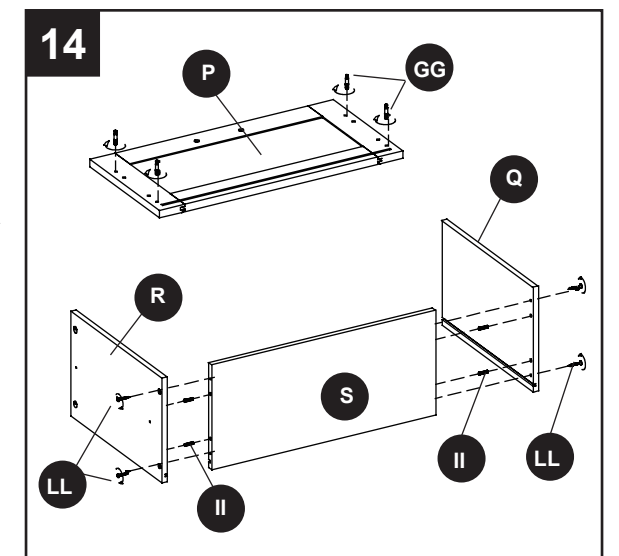
Ensamblaje de la gaveta

14. Instale los pernos de leva pequeños (GG) en el parte frontal de la gaveta (P). Colóquelos a un lado. Instale las espigas pequeñas de madera (II) en el panel posterior de la gaveta. Luego, fije el panel izquierdo de la gaveta (R) y el panel derecho de la gaveta (Q) al panel posterior de la gaveta (S) con tornillos para madera M4 x 25 mm (LL).

Luego, fije el panel izquierdo de la gaveta (R) y el panel derecho de la gaveta (Q) al panel posterior de la gaveta (S) con tornillos para madera M4 x 25 mm (LL).

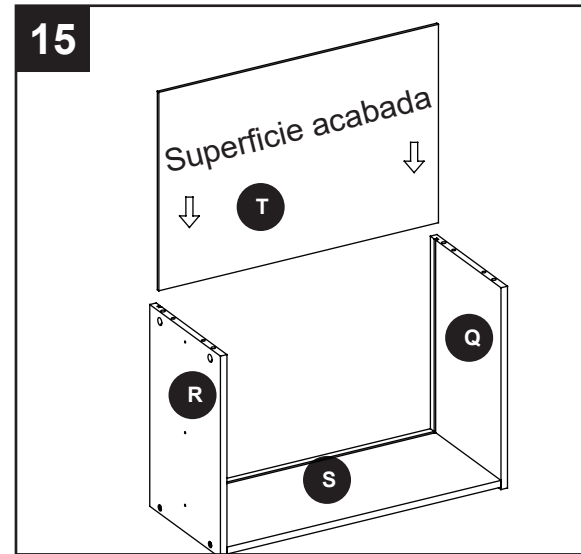
Aditamentos usados

GG	Perno de leva pequeño		x 4
II	Espiga pequeña de madera		x 4
LL	Tornillo para madera M4 x 25 mm		x 4



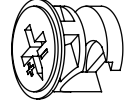

INSTRUCCIONES DE ENSAMBLAJE

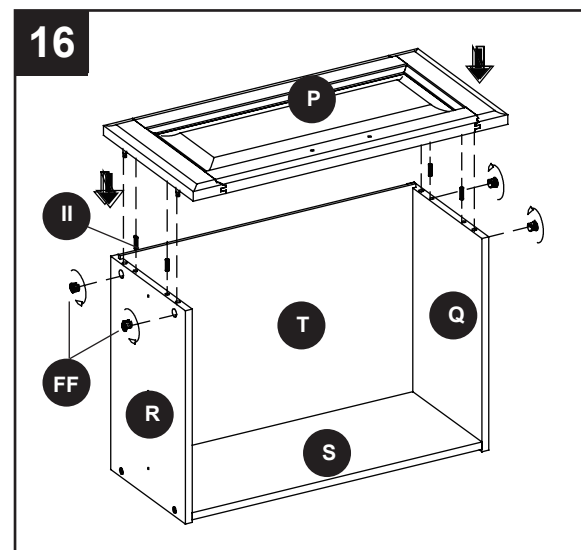
15. Coloque el panel inferior de la gaveta (T) en el panel izquierdo de la gaveta (R), el panel derecho de la gaveta (Q) y el panel posterior de la gaveta (S).



16. Introduzca las espigas pequeñas de madera (II) en el panel izquierdo de la gaveta (R) y en el panel derecho de la gaveta (Q). Fije la parte frontal de la gaveta (P) y asegúrela con cerrojos de leva pequeños (FF).

Aditamentos usados



- FF** Cerrojo de leva pequeño  x 4
- II** Espiga pequeña de madera  x 4

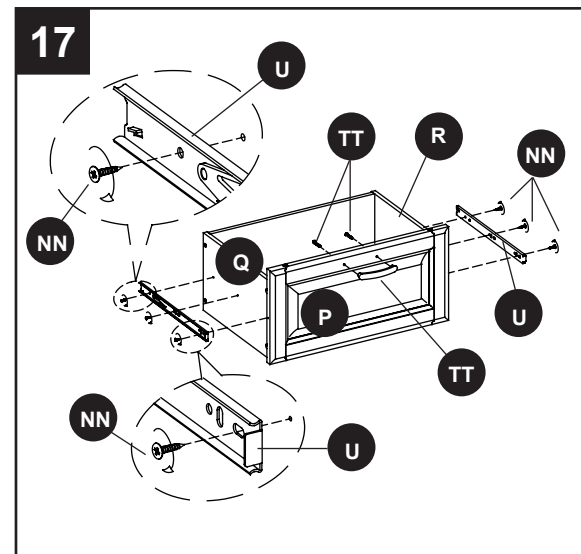


17. Fije los rieles de deslizamiento retirados anteriormente (paso 1, página 7) al panel izquierdo de la gaveta (Q) y al panel derecho de la gaveta (R) con tornillos para madera M3.5 x 12 mm (NN).

Luego, retire el perno preensamblado de la manija (TT). Coloque la manija de la gaveta (TT) en la parte frontal de la gaveta (P) y asegúrela con el perno que retiró anteriormente.

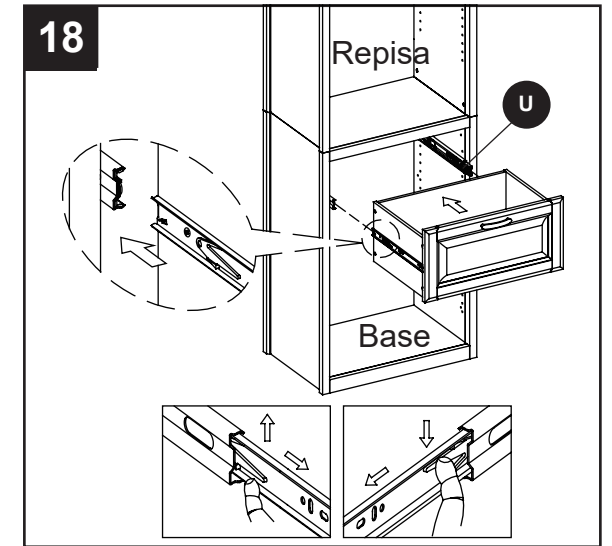
Aditamentos usados

- NN** Tornillo para madera M3.5 x 12 mm  x 6
- TT** Pernos y manija de la gaveta  x 1



INSTRUCCIONES DE ENSAMBLAJE

18. Para colocar la gaveta en el ensamblaje, presione hacia abajo las palancas de liberación en los rieles de deslizamiento y deslice la gaveta en los carriles deslizadores (U).





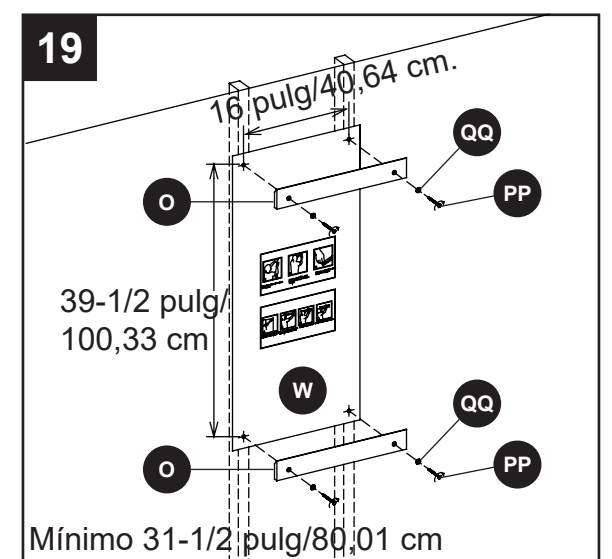
Instalación colgante para pared

19. Con un detector de vigas, localice los bordes de las vigas de madera. Localice la línea central de cada viga y trace una línea vertical como referencia en la pared sobre cada una. Coloque la plantilla de instalación (W) en el lugar que desee de la pared.

Nota: la parte inferior de la plantilla de instalación (W) debe quedar a no más de 31-1/2 pulg/80,01 cm del piso. Marque orificios de montaje con un lápiz (no se incluye) y deseche la plantilla de instalación (W). Taladre orificios guía de 3/16 pulg/0,48 cm en las ubicaciones marcadas. Luego, con el borde biselado hacia arriba, fije el listón de colgante para pared (O) con arandelas planas grandes (QQ) y tirafondos (PP).

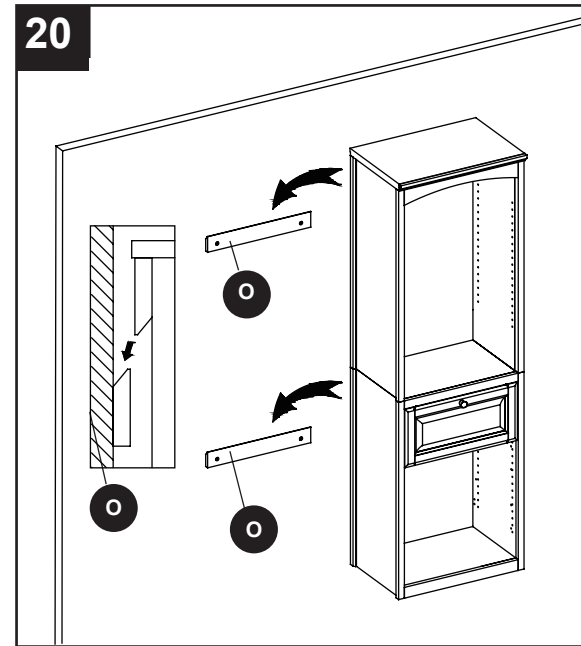
Aditamentos usados

- PP** Tirafondo M8 x 2-1/2 pulg  x 4
- QQ** Arandela plana  x 4



INSTRUCCIONES DE ENSAMBLAJE

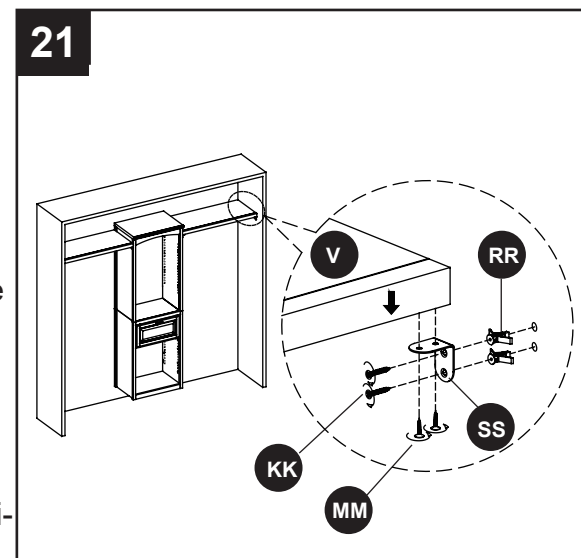
20. Con la ayuda de otra persona, cuidadosamente cuelgue la unidad sobre el listón de colgante para pared (O).



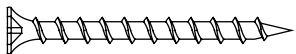
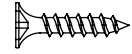
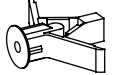

Instalación de los estantes largos

Nota: si necesita cortar el estante largo (V) para adaptarlo al espacio del armario, solo corte un lado del estante. No use una sierra de mano. Se recomienda que contrate a un remodelador asegurado para este tipo de instalación.

21. Con un lápiz, trace una línea en la ubicación de montaje deseada para el estante largo (V). Use las abrazaderas en L (SS) como una guía, marque con un lápiz las ubicaciones para los orificios de los tornillos. Taladre orificios guía de 3/8 pulg/0,95 cm de diámetro al menos a una profundidad de 2-1/2 pulg/6,35 cm en las ubicaciones marcadas. Luego, introduzca las anclas de expansión de pared (RR) en los orificios hasta que queden al ras de la pared. Fije las abrazaderas en L (SS) a la pared con tornillos M4 x 38 mm (KK) y al estante largo (V) fíjelo con tornillos para madera M4 x 14 mm (MM).



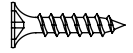

Aditamentos usados

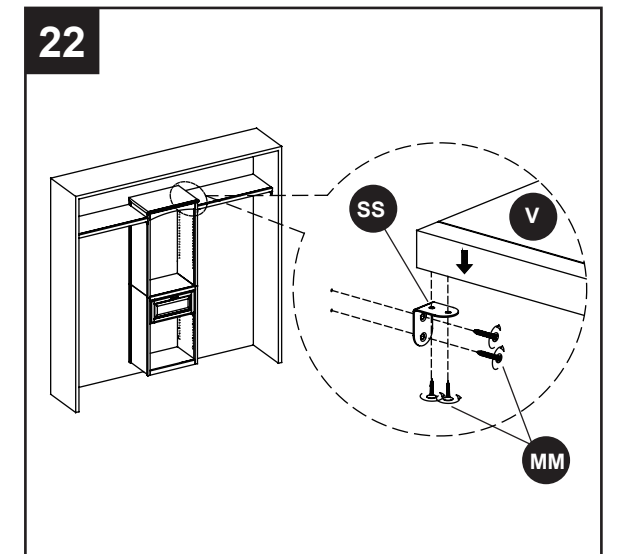
- KK** Tornillo M4 x 38 mm  x 8
- MM** Tornillo para madera M4 x 14 mm  x 8
- RR** Ancla de expansión de pared  x 8
- SS** Abrazadera en L  x 4

INSTRUCCIONES DE ENSAMBLAJE

22. Fije los estantes largos (V) al panel de repisa izquierda (A) y al panel de repisa derecha (B) con las abrazaderas en L (SS), y asegúrelas con tornillos para madera M4 x 14 mm (MM).

Aditamentos usados

- MM** Tornillo para madera M4 x 14 mm  x 16
- SS** Abrazadera en L  x 4

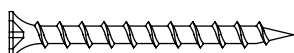
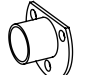
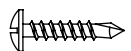


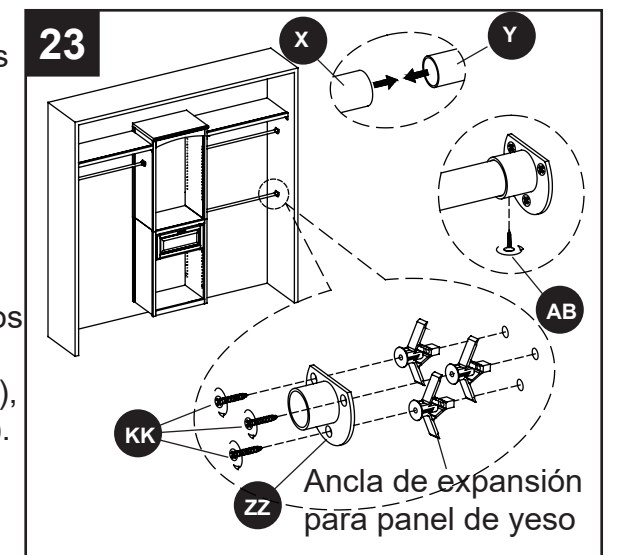
Instalación de las varillas

23. Inserte las varillas de metal de 22 mm (X) en las varillas de metal de 25 mm (Y). Con los soportes de varilla cerrados (ZZ) como guía, marque con un lápiz las ubicaciones de los orificios de los tornillos. Taladre orificios guía de 3/8 pulg/0,95 cm de diámetro al menos a una profundidad de 2-1/2 pulg/6,35 cm en las ubicaciones marcadas. Luego, introduzca anclas de expansión para panel de yeso (no se incluyen) en los orificios. Fije los soportes de varilla cerrados (ZZ) con tornillos M4 x 38 mm (KK). Inserte las varillas de metal de 25 mm (Y) en los soportes de varilla cerrados (ZZ), y asegúrelas con tornillos autorroscantes M4 x 15 mm (AB).

Nota: si realiza la instalación en una viga, no necesita utilizar las anclas de expansión para panel de yeso.

Aditamentos usados

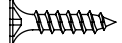
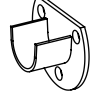
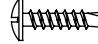
- KK** Tornillo M4 x 38 mm  x 9
- ZZ** Soporte de varilla cerrado  x 3
- AB** Tornillo autorroscante M4 x 15 mm  x 3

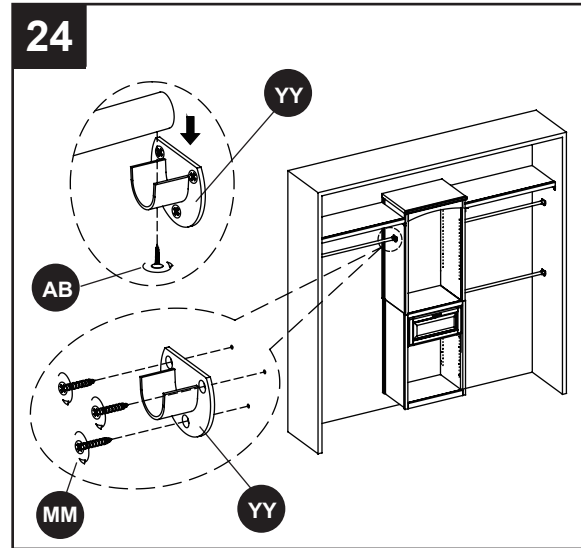


INSTRUCCIONES DE ENSAMBLAJE

24. Fije los soportes de varilla cerrados (YY) al panel de repisa izquierdo (A) y al panel de repisa derecho (B), y asegúrelos con tornillos para madera M4 x 14 mm (MM). Inserte las varillas de metal de 22 mm (X) en los soportes de varilla abiertos (YY), y asegúrelos con tornillos autorroscantes M4 x 15 mm (AB).

Aditamentos usados

- MM** Tornillo para madera M4 x 14 mm  x 9
- YY** Soporte de varilla abierto  x 3
- AB** Tornillo autorroscante M4 x 15 mm  x 3

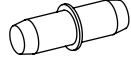


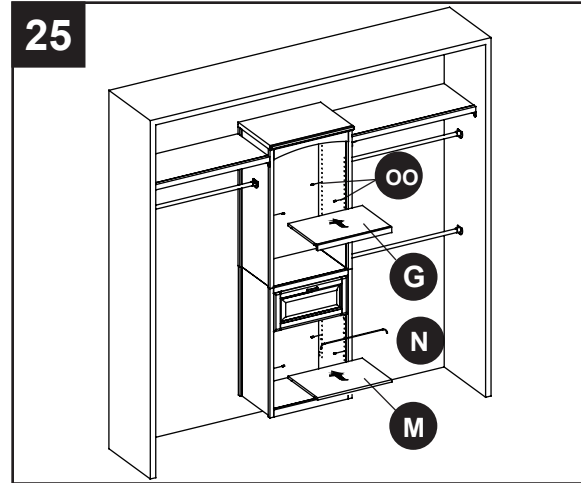
Instalación del estante

25. Introduzca los pasadores de estante (OO) en el lugar que desee del gabinete. Introduzca los Tapón de alambre (N) en el zapatero (M). Luego, coloque el estante ajustable (G) y al zapatero (M) sobre la parte superior.

Nota: asegúrese de que los pasadores de estante (OO) estén nivelados.

Aditamentos usados

- OO** Pasador de estante  x 8



CUIDADO Y MANTENIMIENTO

- Revise periódicamente para asegurarse de que todos los componentes estén ubicados de forma correcta, no presenten daños y de que estén firmemente conectados.
- Use un paño suave y limpio que no raye la superficie al limpiarla.
- Nunca utilice agua para limpiar los muebles, ya que puede provocar daños en el acabado.
- Limpie con un paño húmedo y un limpiador suave. Seque con un paño limpio.
- En el caso de que el mueble se tiña o se dañe durante el uso, le recomendamos que llame a un profesional para repararlo.
- Mantenga el mueble lejos de la luz solar directa, ya que puede provocar daños en el acabado.
- Es mejor mantener los muebles en un ambiente climatizado. Los cambios extremos de temperatura y de humedad pueden ocasionar decoloración, deformación, contracciones y grietas en la madera.
- Se proporciona un aplicador de retoque (XX) (excepto en el artículo #5130290) para reparar rasguños o rayones que pueden ocurrir durante el ensamble o envío.
- En caso de dañarse el artículo #5130290 y de necesitar un retoque, aplique un pulidor de madera de buena calidad a la superficie dañada. No se incluye el pulidor con este artículo.

SOLUCIÓN DE PROBLEMAS

PROBLEMA	CAUSA POSIBLE	ACCIÓN CORRECTIVA
Uno de los extremos del estante largo (V) queda flotante.	El espacio del armario mide más de 8 pies/2,44 m.	1. Compre las abrazaderas para estante y las abrazaderas de pared correspondientes (se venden por separado). 2. Cambie el estante largo (V) por uno más largo con acabado y estilo similares.
No puede instalar el estante largo (V) dentro del armario.	El espacio del armario mide menos de 8 pies/2,44 m.	1. Acorte un lado del estante largo (V). Contrate a un remodelador asegurado para la instalación. 2. Cambie el estante largo (V) por uno más corto con un acabado y estilo similares.
El estante está inclinado.	Las abrazaderas de pared y las abrazaderas para repisa no se instalaron al mismo nivel.	Use un nivel de calidad para asegurarse de que las abrazaderas estén niveladas.
El riel del deslizador para gaveta no se desliza en los carriles de deslizamiento.	Los rieles de deslizamiento están invertidos.	Vuelva a instalar el riel de deslizamiento y asegúrese de que la abertura del riel apunte hacia atrás.
Los deslizadores para gaveta no se deslizan suavemente.	Los rieles de deslizamiento no quedan correctamente alineados con los carriles de deslizamiento.	Extráigalos y repita los pasos de la instalación de la gaveta.
Los espacios de la gaveta no quedan parejos.	Los rieles de deslizamiento no están al mismo nivel.	Use los orificios guía en la torre como una guía para nivelar los rieles de deslizamiento.

SOLUCIÓN DE PROBLEMAS

PROBLEMA	CAUSA POSIBLE	ACCIÓN CORRECTIVA
Un extremo de la varilla de metal no se puede apoyar correctamente sobre el soporte de varilla abierto (YY).	La abertura del soporte de varilla abierto no apunta hacia arriba en dirección vertical.	Use un nivel de calidad para asegurarse de que el borde plano del soporte de varilla abierto esté nivelado durante la instalación.
El kit de la varilla está inclinado.	Los soportes de varilla abiertos y cerrados no están instalados al mismo nivel.	Use un nivel de calidad para asegurarse de que ambos soportes de varilla queden nivelados.
El tornillo atravesó el panel lateral.	Utilizó un tornillo para madera M4 x 38 mm para instalar el soporte de varilla en el costado del gabinete.	Use tornillos para madera M4 x 14 mm.
La torre del armario está inclinada.	Los listones de colgante para pared no están nivelados.	Vuelva a instalar los listones de colgante para pared y asegúrese de que queden nivelados.
No puede colgar la torre del armario en la pared.	Las ubicaciones de los orificios de montaje no son las correctas.	Vuelva a instalar los listones de colgante para pared; asegúrese de que el espacio entre los dos listones de colgante para pared sea de 39-1/2 pulg/100,33 cm y de que la ubicación de los dos orificios de montaje de la parte inferior no quede a menos de 31-1/2 pulg/80,01 cm del piso.

GARANTÍA

La garantía de este producto (exclusiva de las repisas) es válida para el comprador original. Si esta unidad presenta alguna falla debido a defectos en los materiales o la mano de obra, el fabricante reemplazará o reparará este artículo sin cargos y a su discreción. La garantía se anula si el producto no se ensambló correctamente y debido al mal uso, abuso por sobrecarga, modificación de cualquier tipo o daños producidos por un accidente. Esta garantía no es transferible y no cubre el desportillado, desprendimiento, rayones, oxidación, abolladuras u otros daños en la superficie de este producto. La responsabilidad del fabricante se limita a la reparación o el reemplazo de este producto. El fabricante no se hará responsable por daños accidentales o resultantes u otros daños o pérdidas causadas por fallas del producto.

Esta garantía reemplaza a todas las demás garantías explícitas. Algunos estados no permiten la exclusión o limitación de los daños accidentales o resultantes, de modo que las limitaciones anteriores pueden no aplicarse en su caso. Esta garantía le otorga derechos legales específicos, y podría tener otros derechos, que varían según el estado.

LISTA DE PIEZAS DE REPUESTO

Para obtener piezas de repuesto, llame a nuestro Departamento de Servicio al Cliente al 1-866-439-9800, de lunes a viernes de 8 a.m. a 8 p.m., hora estándar del Este.

PIEZA	DESCRIPCIÓN	PIEZA #
A	Panel de repisa izquierdo	00LWSCSC/LWSCSBW-1
B	Panel de repisa derecho	00LWSCSC/LWSCSBW-2
C	Panel de repisa superior	00LWSCSC/LWSCSBW-3
D	Panel de repisa posterior	00LWSCSC/LWSCSBW-4
E	Extensor curvo frontal	00LWSCSC/LWSCSBW-5
F	Extensor recto frontal	00LWSCSC/LWSCSBW-6
G	Estante ajustable	00LWSCSC/LWSCSBW-7
H	Panel de base izquierdo	00LWSCSC/LWSCSBW-8
I	Panel de base derecho	00LWSCSC/LWSCSBW-9
J	Panel de base superior	00LWSCSC/LWSCSBW-10
K	Panel de base posterior	00LWSCSC/LWSCSBW-11
L	Panel de base inferior	00LWSCSC/LWSCSBW-12
M	Zapatero	00LWSCSC/LWSCSBW-13
N	Tapón de alambre	00LWSCSC/LWSCSBW-14
O	Listón de colgante para pared	00LWSCSC/LWSCSBW-15
P	Parte frontal de la gaveta	00LWSCSC/LWSCSBW-16
Q	Panel izquierdo de la gaveta	00LWSCSC/LWSCSBW-17
R	Panel derecho de la gaveta	00LWSCSC/LWSCSBW-18
S	Parte posterior de la gaveta	00LWSCSC/LWSCSBW-19
T	Parte inferior de la gaveta	00LWSCSC/LWSCSBW-20
U	Deslizador	00LWSCSC/LWSCSBW-21
V	Estante largo	00LWSCSC/LWSCSBW-22
W	Plantilla de instalación	00LWSCSC/LWSCSBW-23

PIEZA	DESCRIPCIÓN	PIEZA #
X	Varilla de metal de 22 mm	00LWSCSC/LWSCSBW-24
Y	Varilla de metal de 25 mm	00LWSCSC/LWSCSBW-25
AA	Perno	00LWSCSC/LWSCSBW-26
BB	Arandela de seguridad	00LWSCSC/LWSCSBW-27
CC	Arandela plana	00LWSCSC/LWSCSBW-28
DD	Cerrojo de leva grande	00LWSCSC/LWSCSBW-29
EE	Perno de leva mediano	00LWSCSC/LWSCSBW-30
FF	Cerrojo de leva pequeño	00LWSCSC/LWSCSBW-31
GG	Perno de leva pequeño	00LWSCSC/LWSCSBW-32
HH	Espiga grande de madera	00LWSCSC/LWSCSBW-33
II	Espiga pequeña de madera	00LWSCSC/LWSCSBW-34
JJ	Tornillo M6 x 10 mm	00LWSCSC/LWSCSBW-35
KK	Tornillo para madera M4 x 38 mm	00LWSCSC/LWSCSBW-36
LL	Tornillo para madera M4 x 25 mm	00LWSCSC/LWSCSBW-37
MM	Tornillo para madera M4 x 14 mm	00LWSCSC/LWSCSBW-38
NN	Tornillo para madera M3.5 x 12 mm	00LWSCSC/LWSCSBW-39
OO	Pasador de estante	00LWSCSC/LWSCSBW-40
PP	Tirafondo M8 x 2-1/2 pulg	00LWSCSC/LWSCSBW-41
QQ	Arandela plana grande	00LWSCSC/LWSCSBW-42
RR	Ancla de expansión de pared	00LWSCSC/LWSCSBW-43
SS	Abrazadera en L	00LWSCSC/LWSCSBW-44
TT	Manija de la gaveta	00LWSCSC/LWSCSBW-45
UU	Perno de leva grande	00LWSCSC/LWSCSBW-46
VV	Tuerca cilíndrica	00LWSCSC/LWSCSBW-47
WW	Llave de tuercas Allen M4	00LWSCSC/LWSCSBW-48
XX	Aplicador de retoque	00LWSCSC/LWSCSBW-49
YY	Soporte de varilla abierto	00LWSCSC/LWSCSBW-50
ZZ	Soporte de varilla cerrado	00LWSCSC/LWSCSBW-51
AB	Tornillo autorroscante M4 x 15 mm	00LWSCSC/LWSCSBW-52
	Todos los aditamentos	00LWSCSC/LWSCSBW-53

