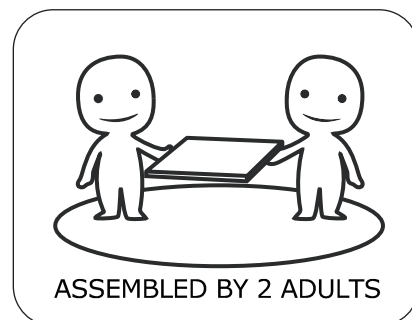
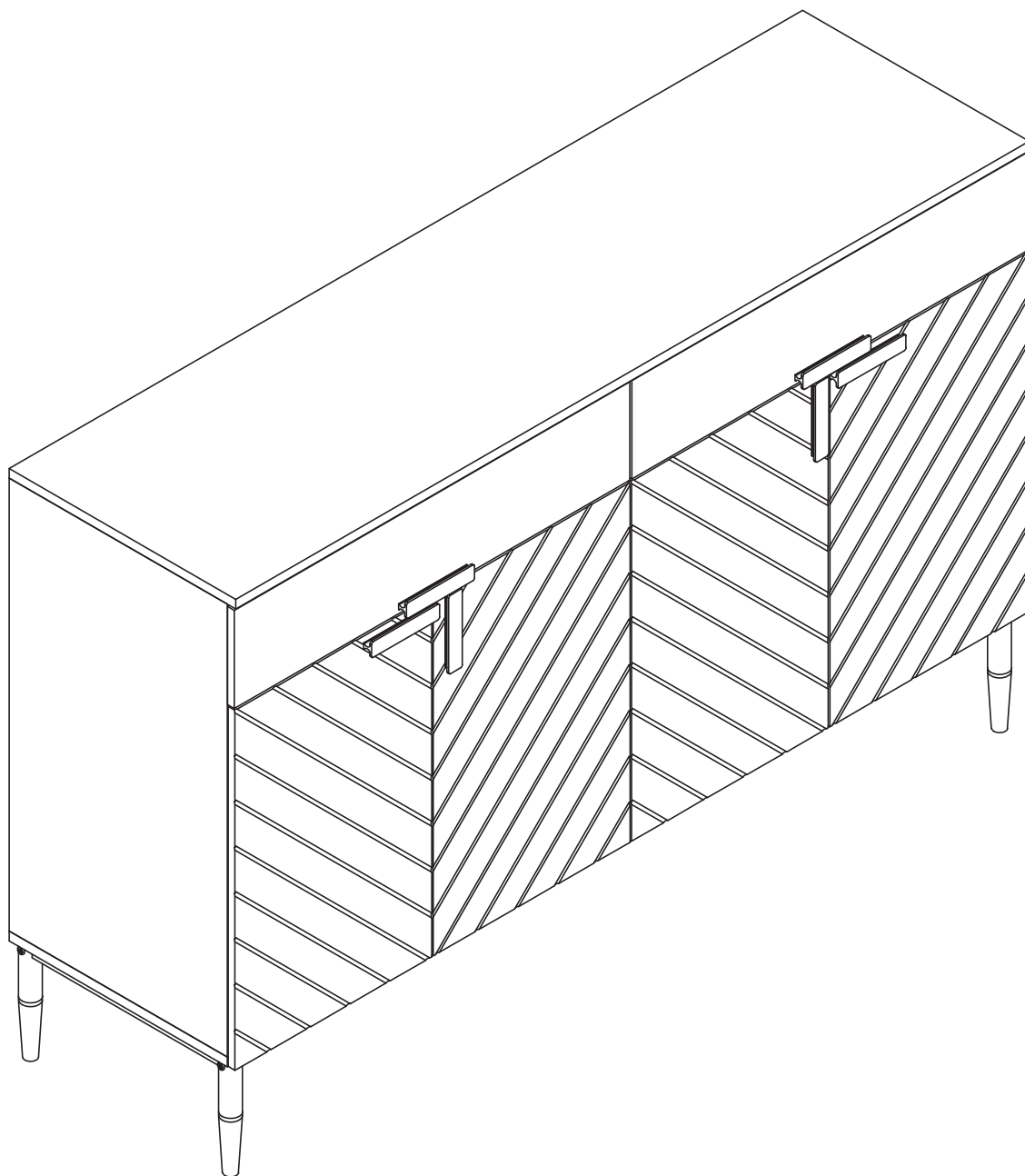
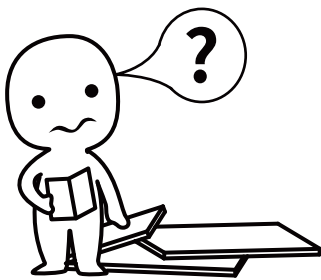


# Sideboard

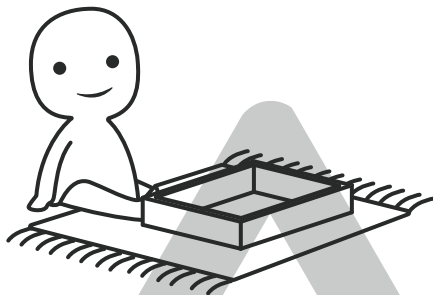
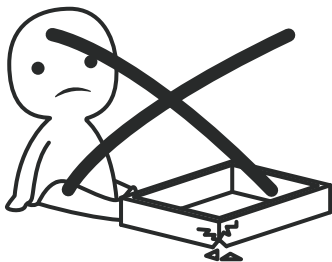


ASSEMBLED BY 2 ADULTS



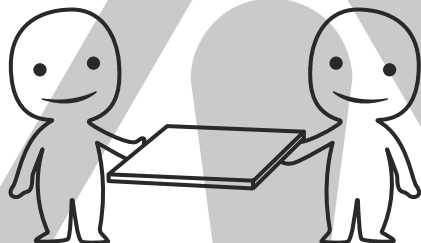
### **IMPORTANT INFORMATION!**

please read the entire manual before starting to assemble and/or using this product. follow the manual thoroughly and keep it for further reference.



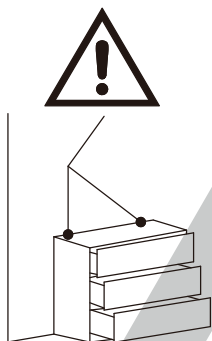
### **AVOID SCRATCHES!**

In order to avoid scratching this furniture should be assembled on a soft layer- could be a rug.



### **IMPROVE EFFICIENCY !**

Try to find a partner to install with you, which can speed up the installation efficiency and shorten the time.



### **ANTI-TOPPLE WARNING !**

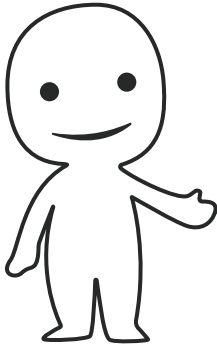
Overturnd furniture can cause serious or fatal crush injuries. To prevent tipping over, be sure to use the wall attachment, if not included with this product. Please purchase the wall attachment that fit your wall. If unsure, seek professional advice. Please read and follow each step of the instructions carefully.

### **IMPORTANT !**

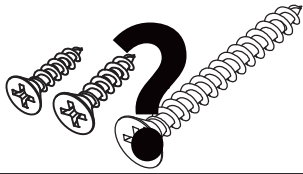
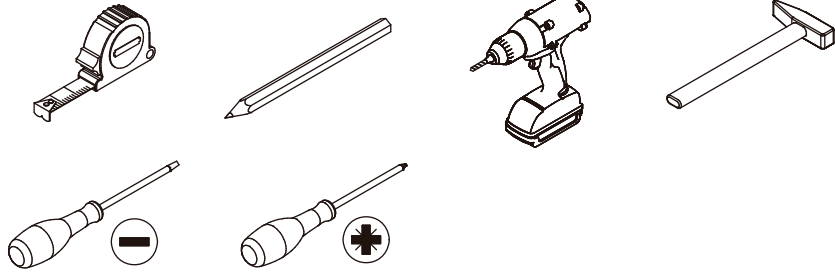
It is important that any product which is assembled using any kind of screw is re-tightened 2 weeks after assembly, and once every 3 months - in order to assure stability through-out the lifespan of the product.

For regular maintenance and cleaning of the product, for the frame, please use a rag dipped in neutral detergent to fully wipe it, and then dry it with a clean rag. For glass materials, wipe with a rag dampened with water glass cleaner, and then dry with a dry rag.

Do not use an electric screwdriver, and do not use too much force when installing, because the board is easy to break.

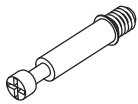


Please prepare the following tools



When installing, please carefully confirm whether each screw corresponds to the manual, accessories with similar shapes can be distinguished by size

Ax23(+2)



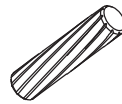
Ø6x35mm

Bx23(+2)



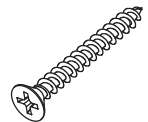
Ø15x10mm

Cx12(+2)



Ø6x30mm

Dx18(+2)



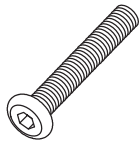
Ø4x35mm

Ex72(+3)



Ø3.5x12mm

Fx4



Ø6x40mm

Gx10



Ø6x30mm

Hx16

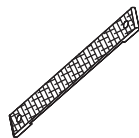


Jx16(+2)

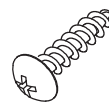


Ø3x16mm

Kx2

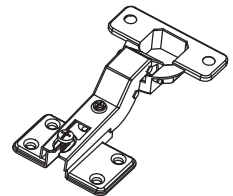


Lx4

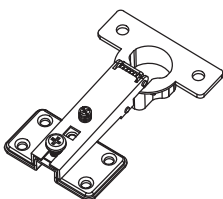


Ø4x14mm

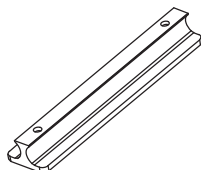
Mx4



Nx4



Px6

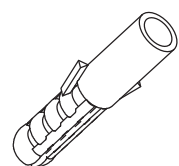


Qx12



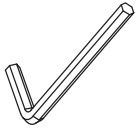
Ø4x16mm

Rx2



Ø6x30mm

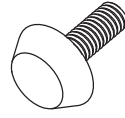
Sx1



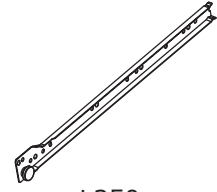
Tx8



Ux1

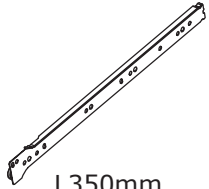


CLx2



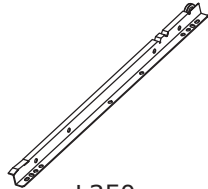
L350mm

CRx2



L350mm

DLx2

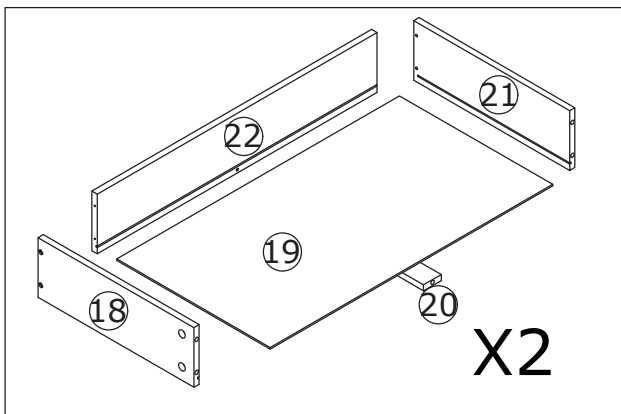
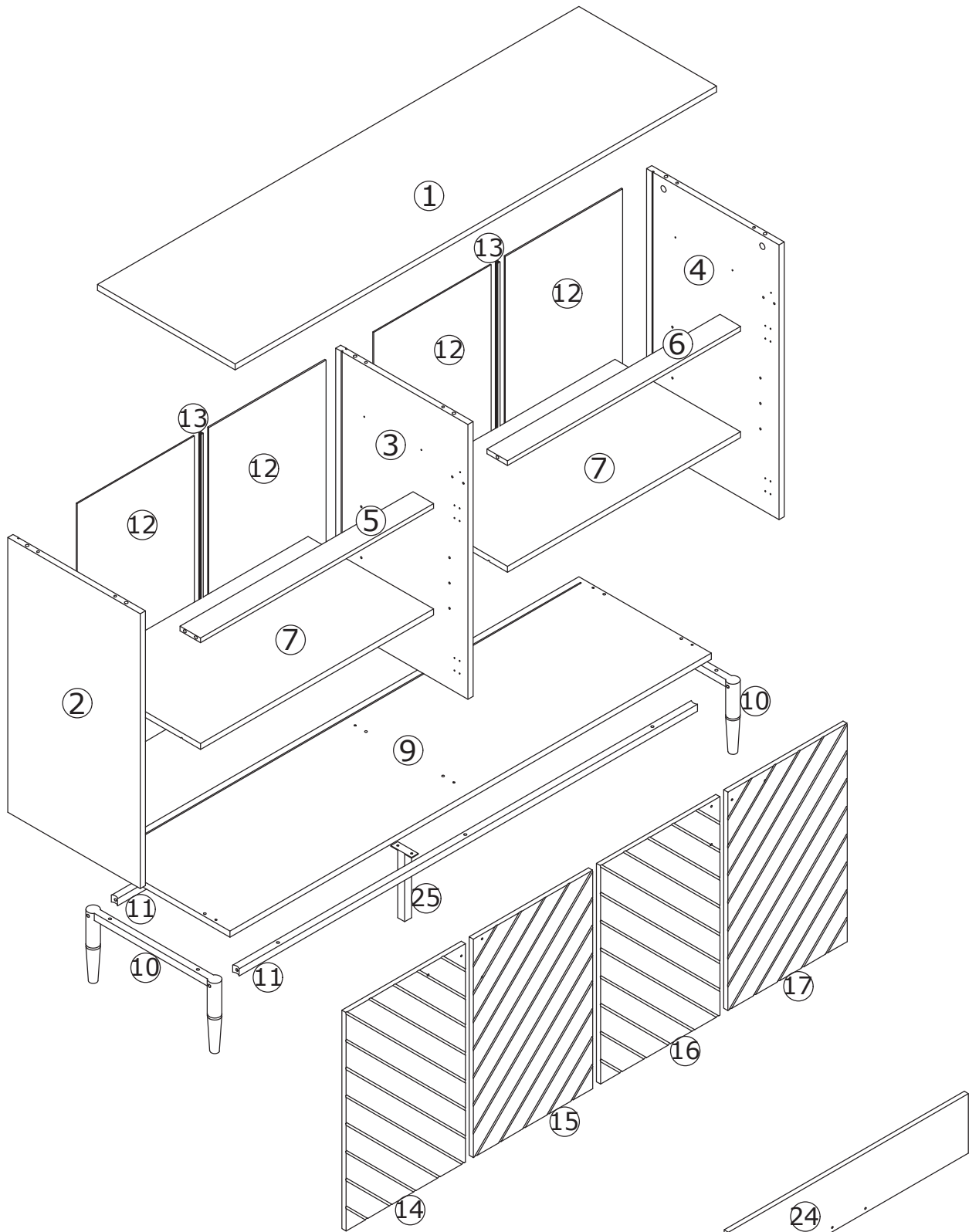


L350mm

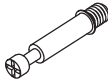


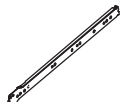
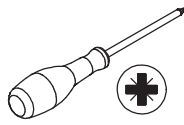
DRx2



L350mm

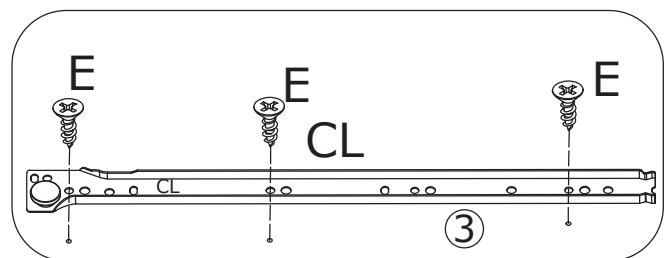
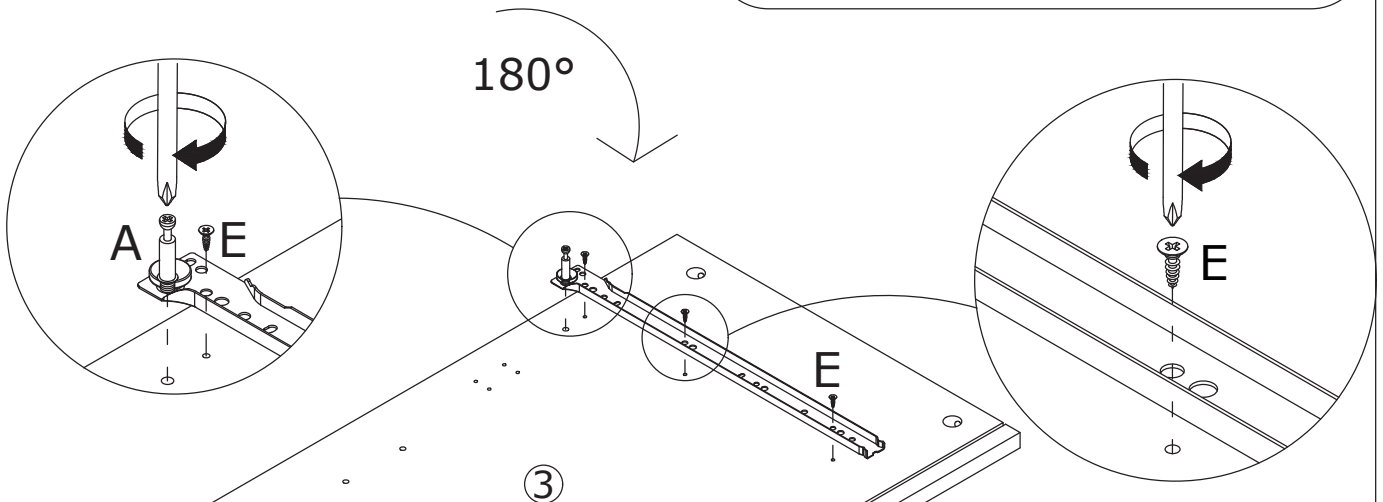
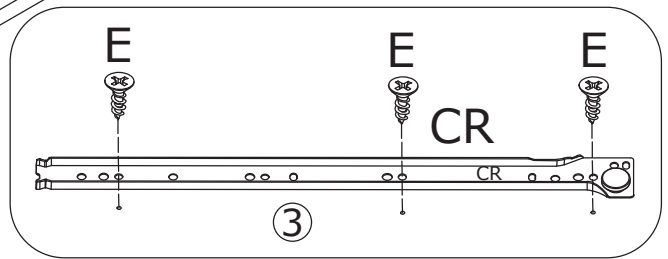
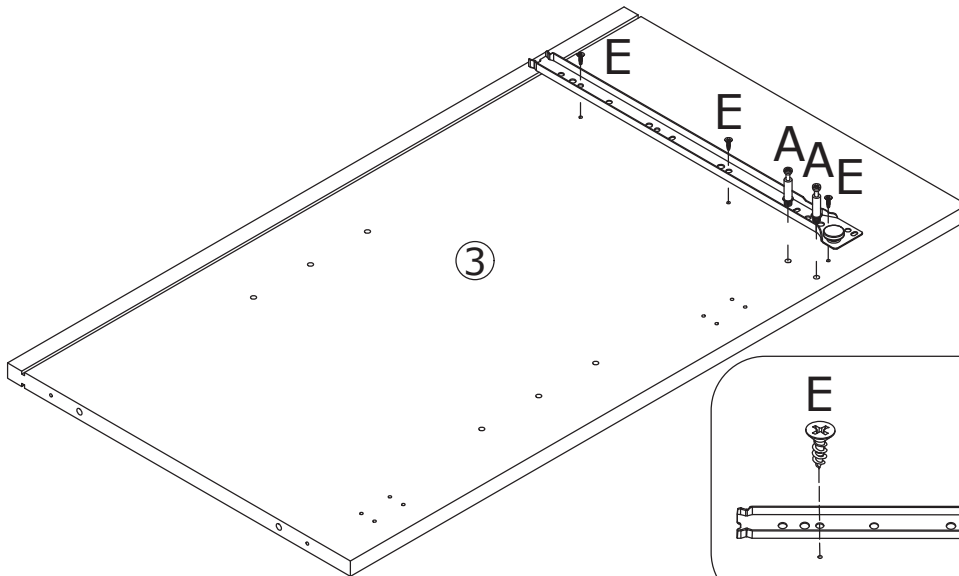
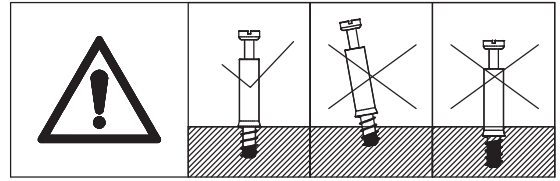


1

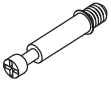



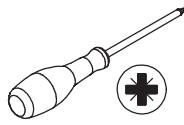
A x 3  Ø6 x 35 mm	E x 6  Ø3.5 x 12 mm	CL x 1  L350mm	CR x 1  L350mm	
--	--	---	--	---

Fix slide rail (CR) to board 3 with screw (E), and screw eccentric rod (A) into board 3 at first.

Flip the board to back, fix slide rail (CL) and screw eccentric rod (A) into as well.

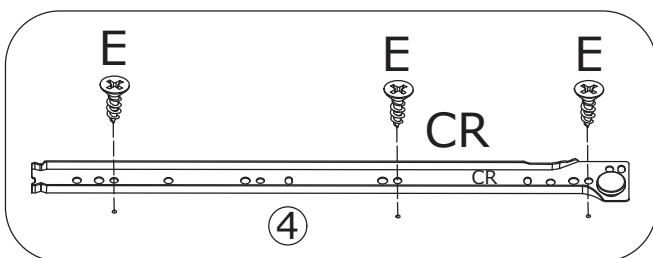
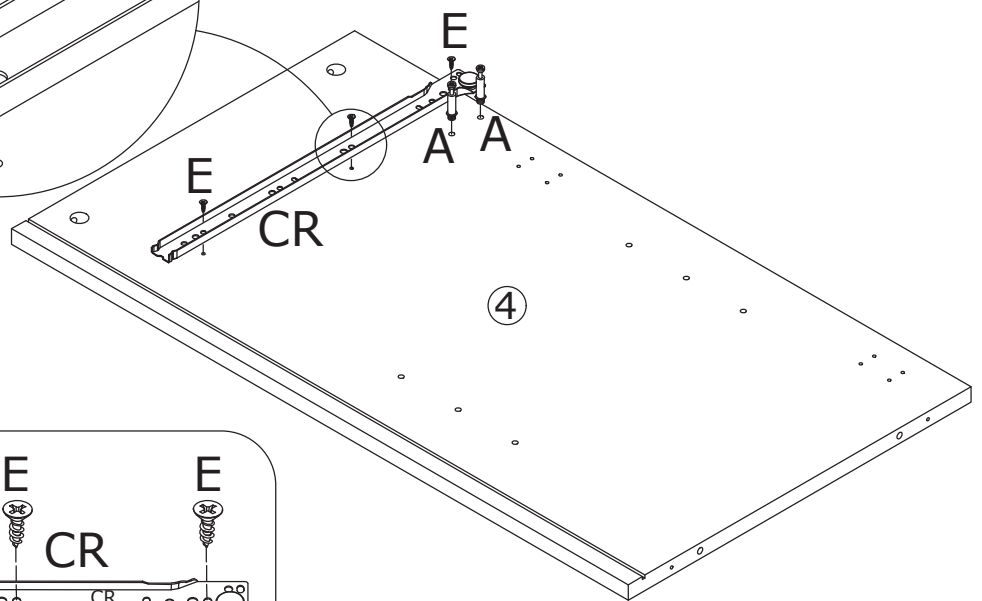
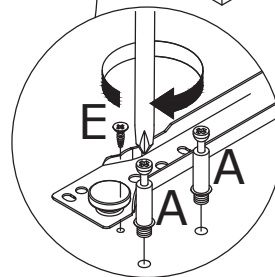
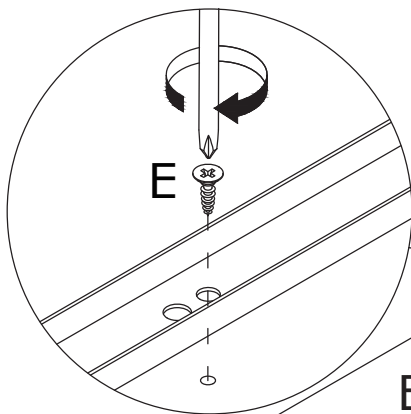
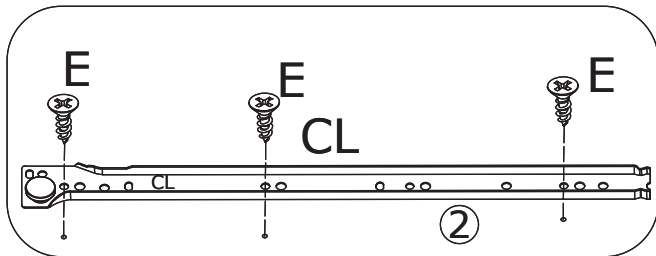
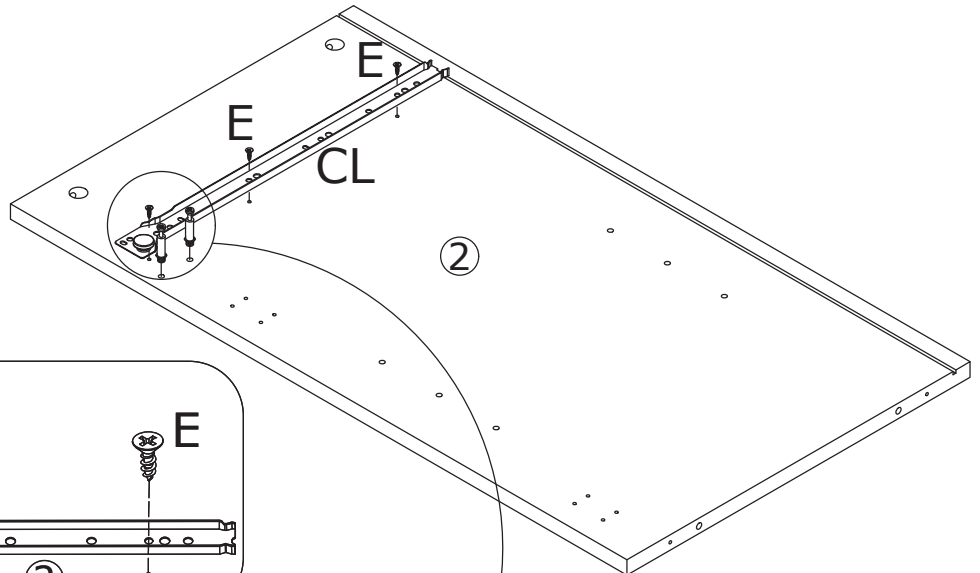
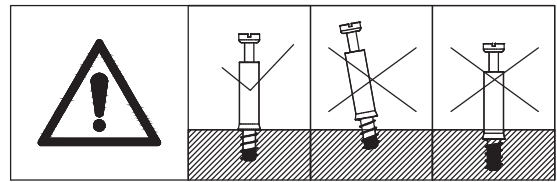


2

A x 4  Ø6 x 35 mm	E x 6  Ø3.5 x 12 mm	CL x 1  L350mm	CR x 1  L350mm	
--	--	---	--	---

Fix slide rail(CL) and (CR) to board 2 and 4 respectively with screw(E) as shown.

Screw eccentric rod(A) into board 2 and 4 as shown.



3

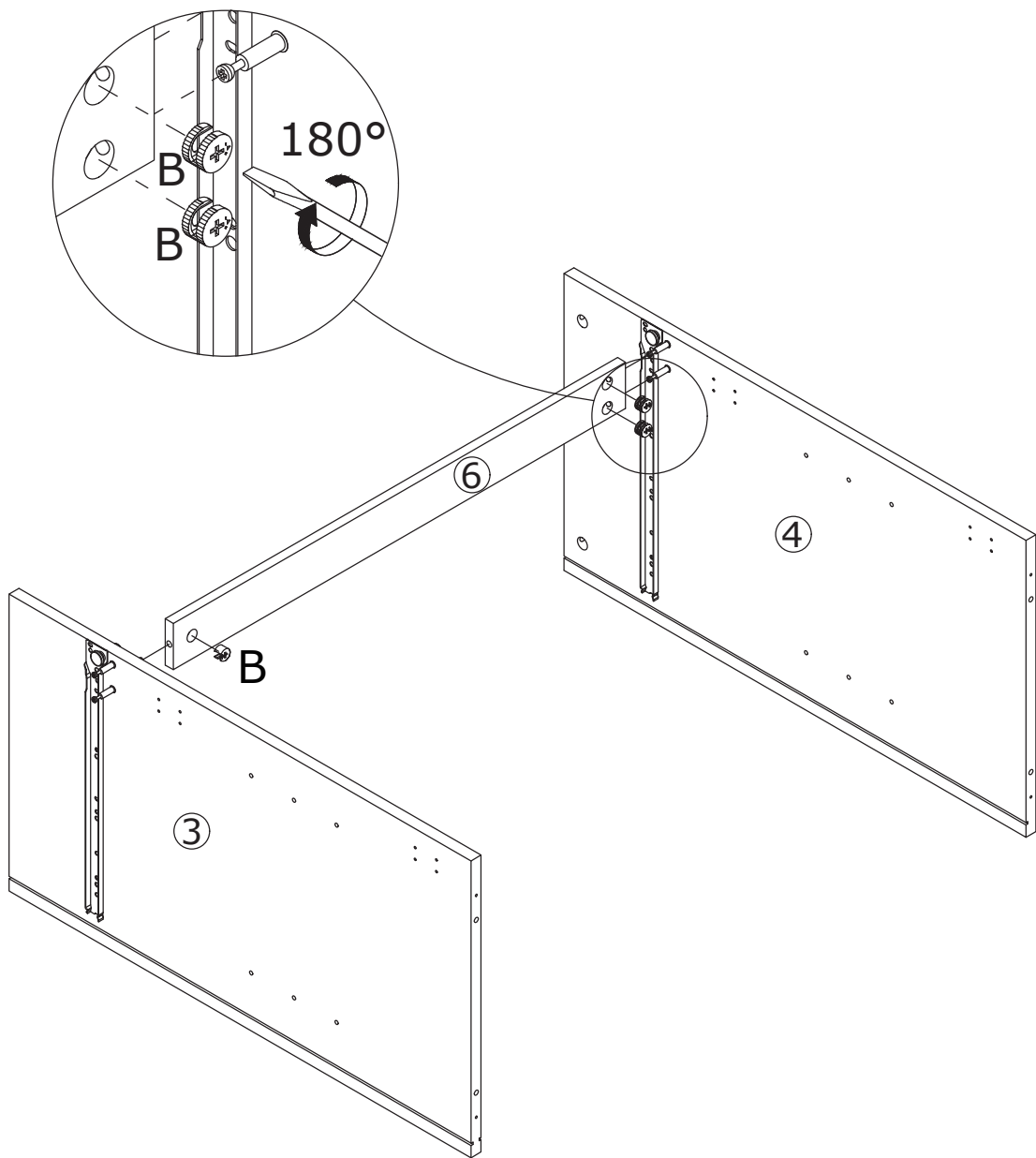
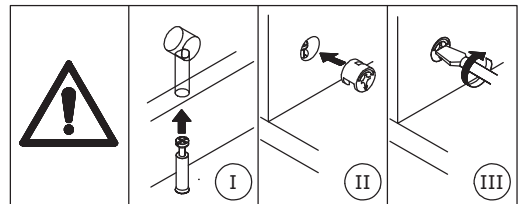
B x 3



Ø15 x 10 mm



Connect board 3 and 4 to board 6 , add cam lock(B) into board 6 and turn clockwise to tighten as shown.



4

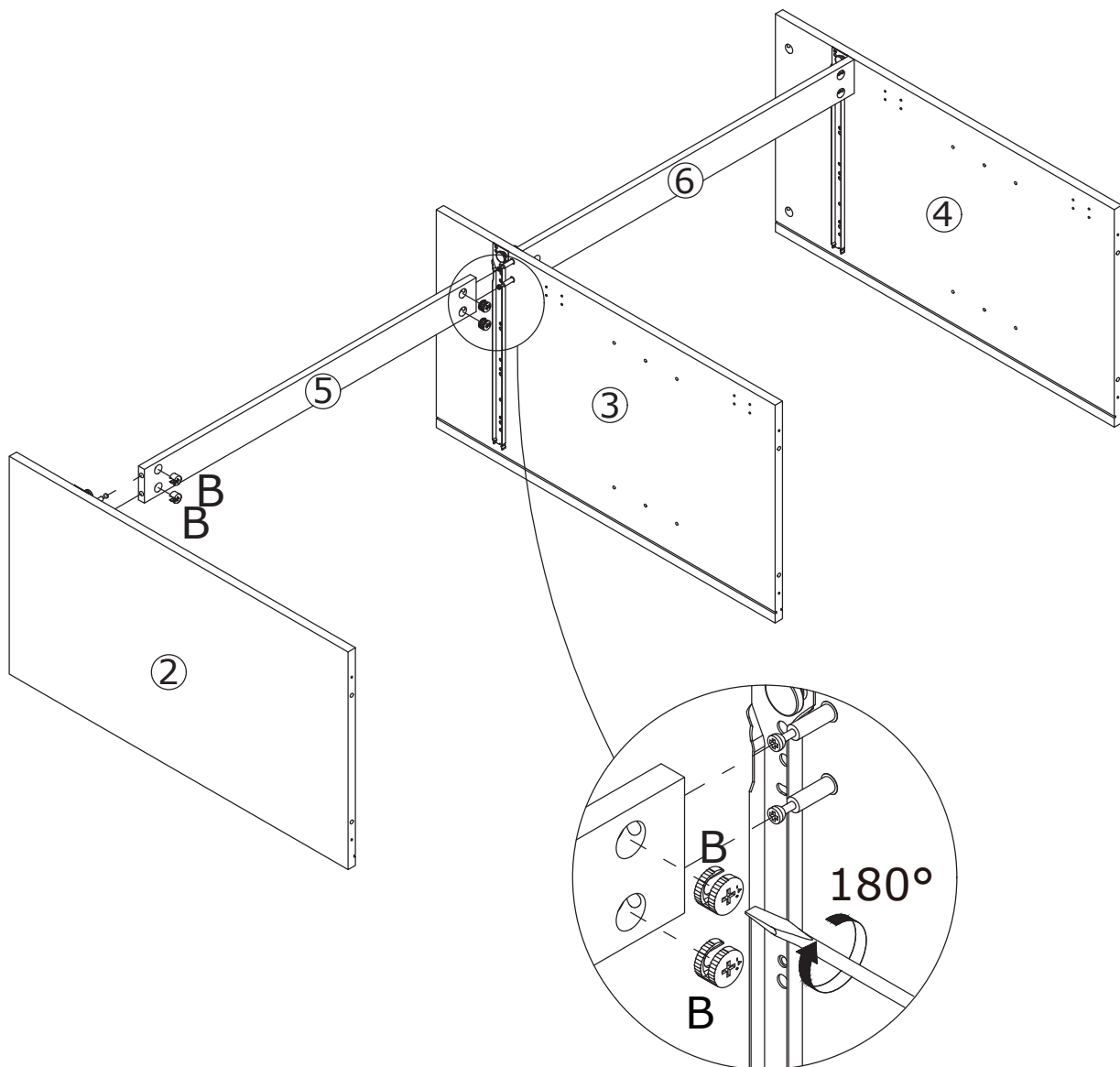
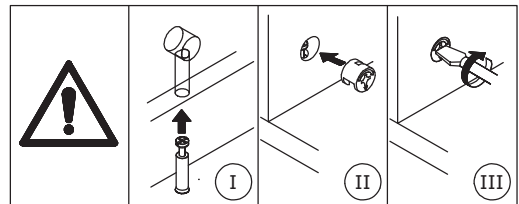
B x 4



Ø15 x 10 mm



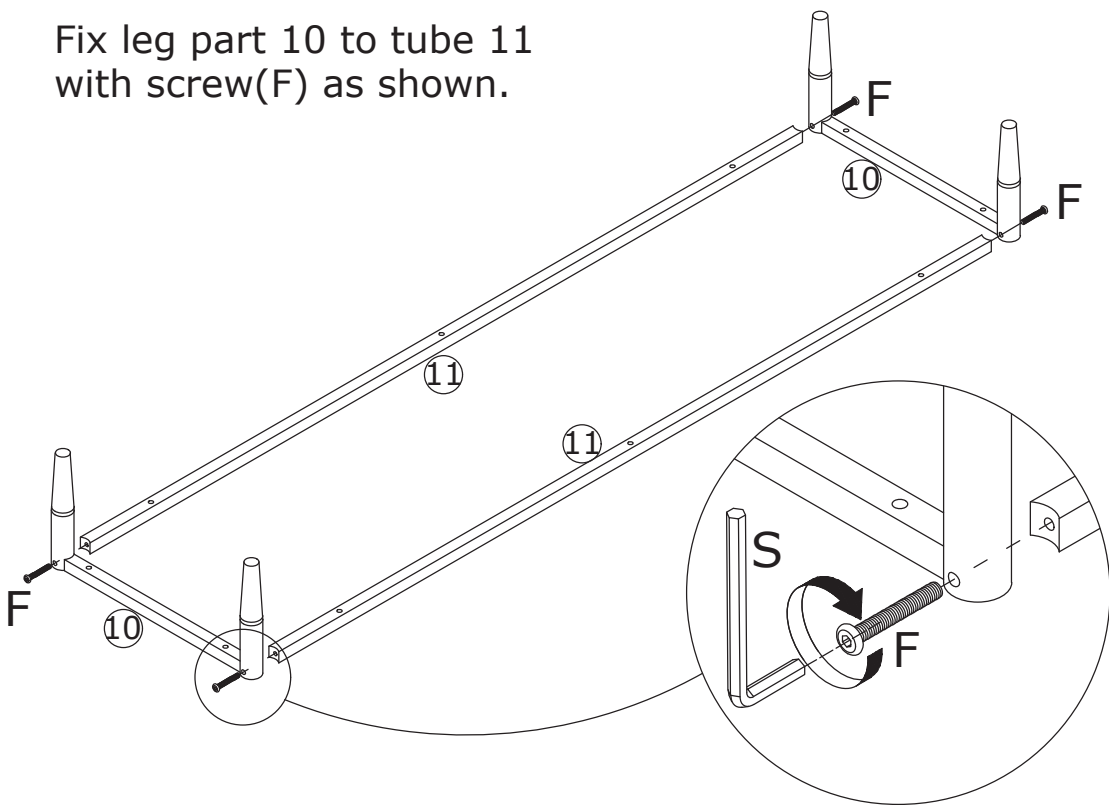
Connect board 2 and 3 to board 5 , add cam lock(B) into board 5 and turn clockwise to tighten as shown.



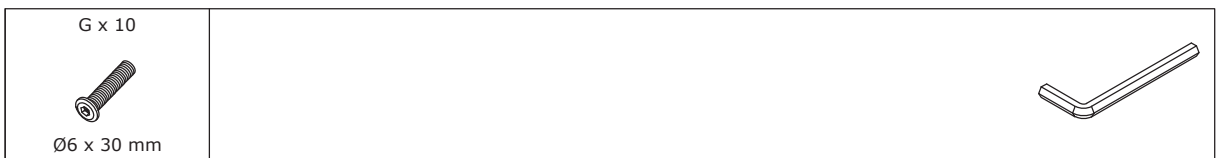
5



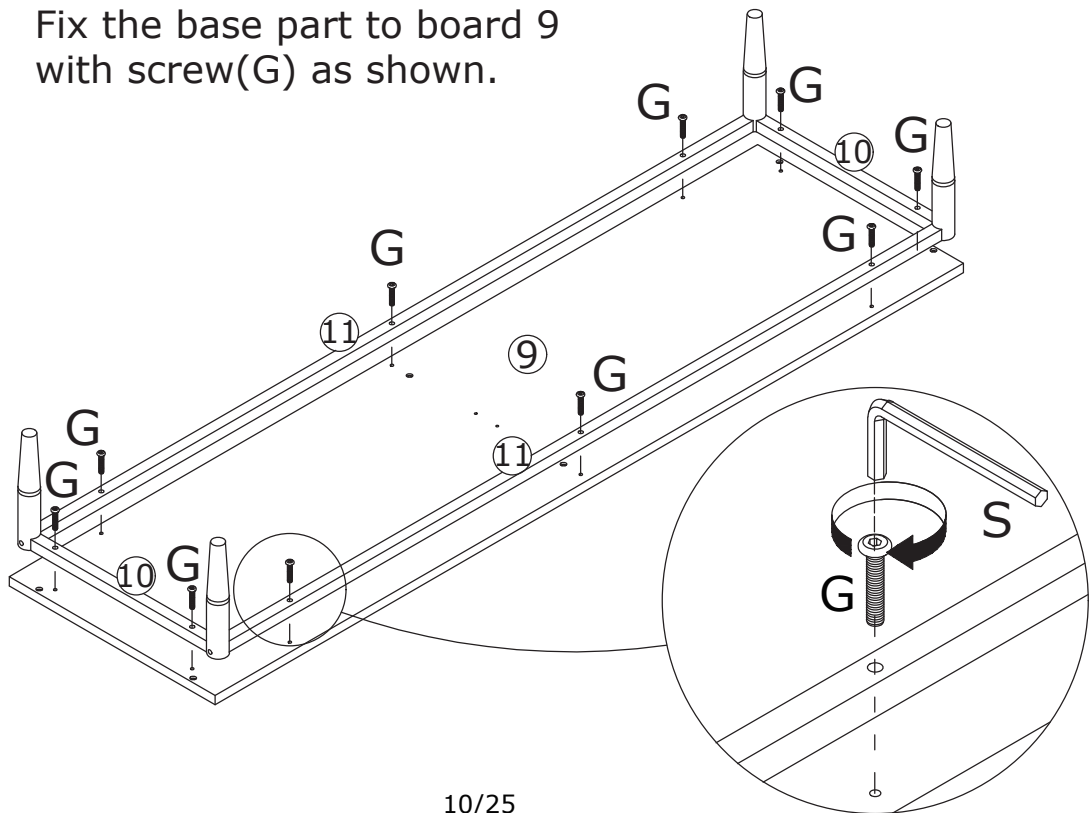
Fix leg part 10 to tube 11 with screw(F) as shown.







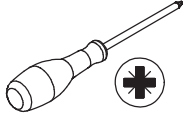
6



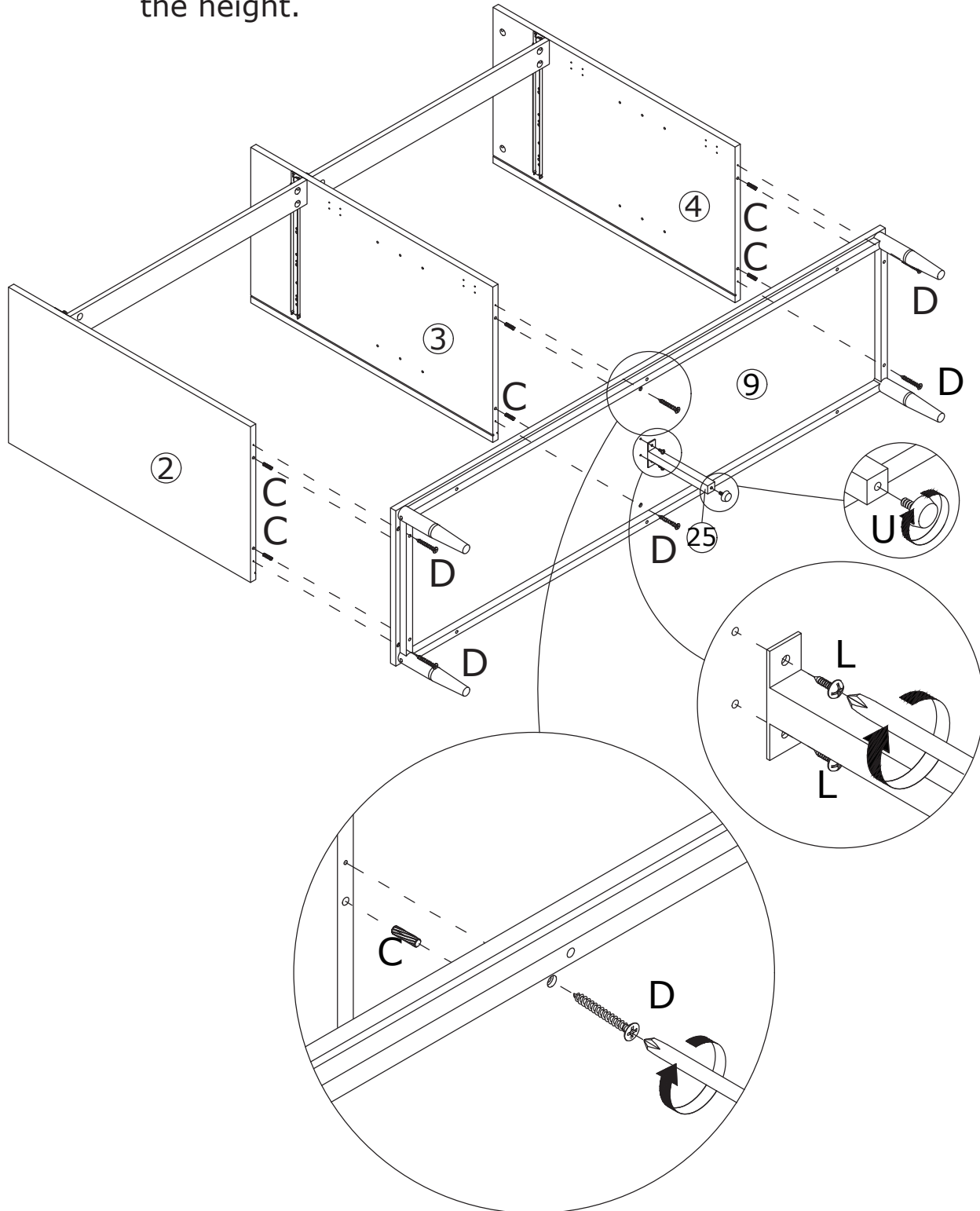
Fix the base part to board 9 with screw(G) as shown.



7

<p>C x 6</p>  <p>Ø6 x 30 mm</p>	<p>D x 6</p>  <p>Ø4 x 35 mm</p>	<p>L x 2</p>  <p>Ø4 x 14 mm</p>	<p>U x 1</p> 	
--	--	--	---	---

Attach the base to board 2, 3 and 4 using wooden dowel(C), and fix with screw(D) as shown. Fix leg support 25 to board 9 with screw(L), then rotate foot peg(U) into leg 25 to adjust the height.



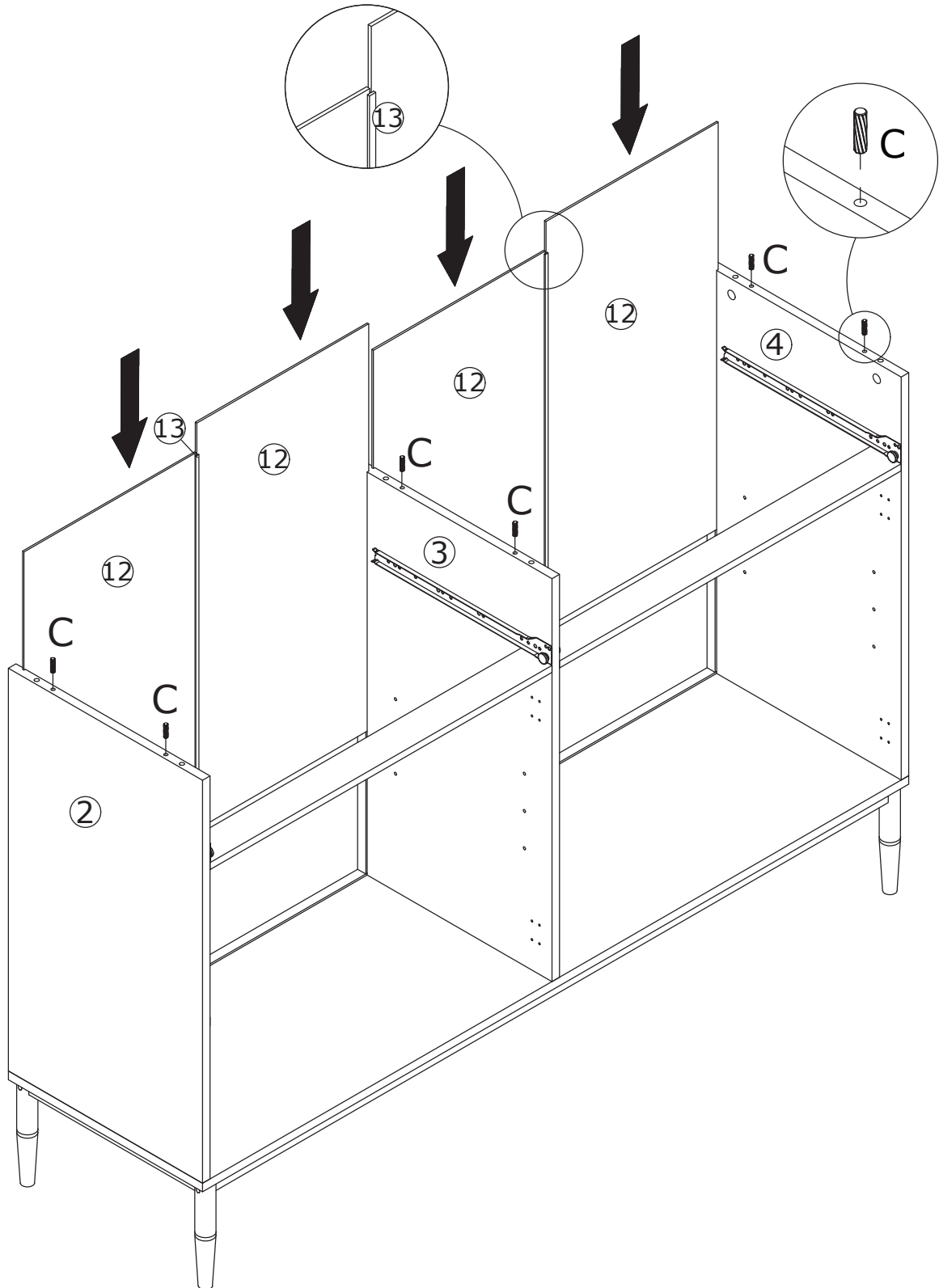
8

C x 6



Ø6 x 30 mm

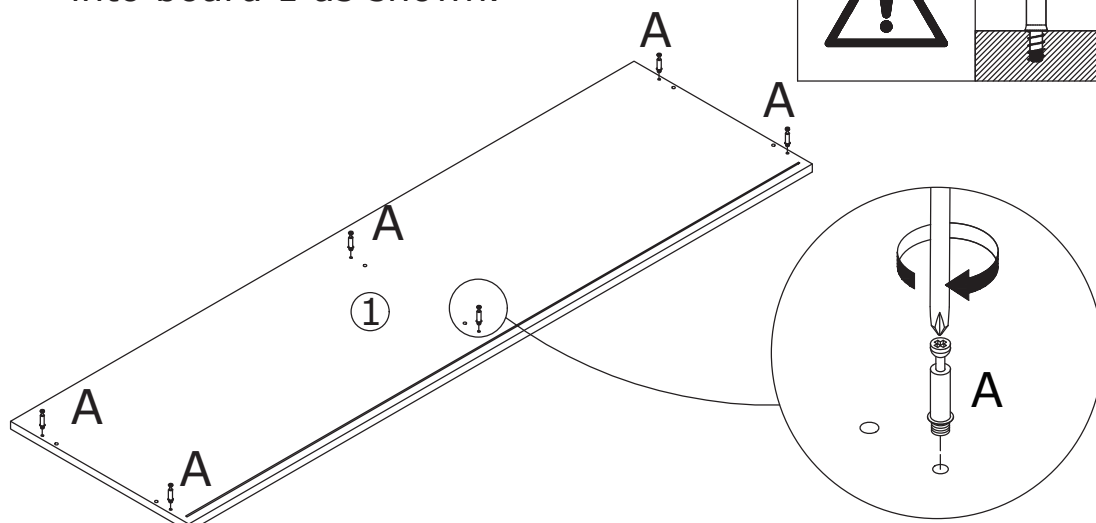
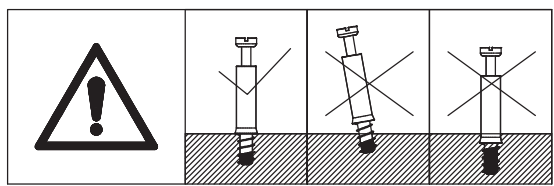
Insert back board 12 and 13  
along available grooves as shown.  
Insert wooden dowel(C) into  
board 2, 3 and 4 at first.



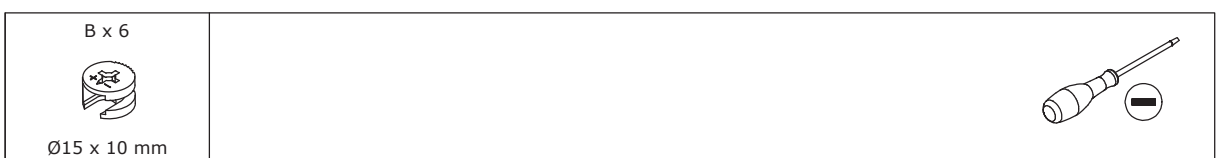
9



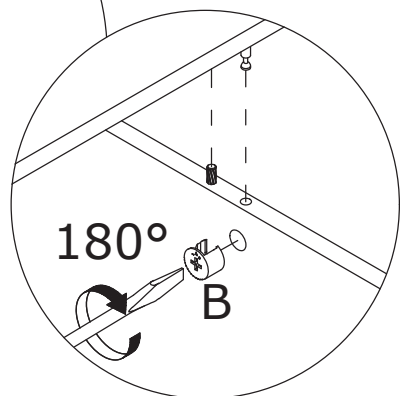
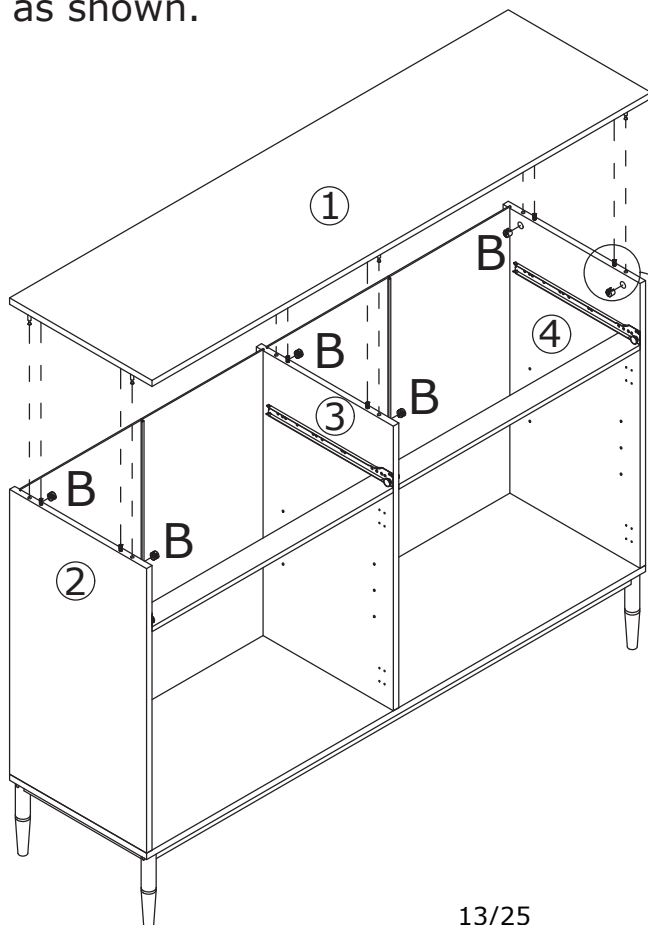
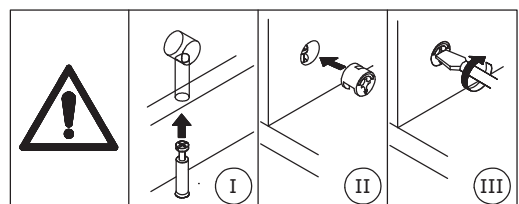
Screw eccentric rod(A) into board 1 as shown.







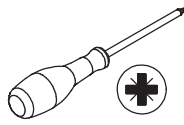
10



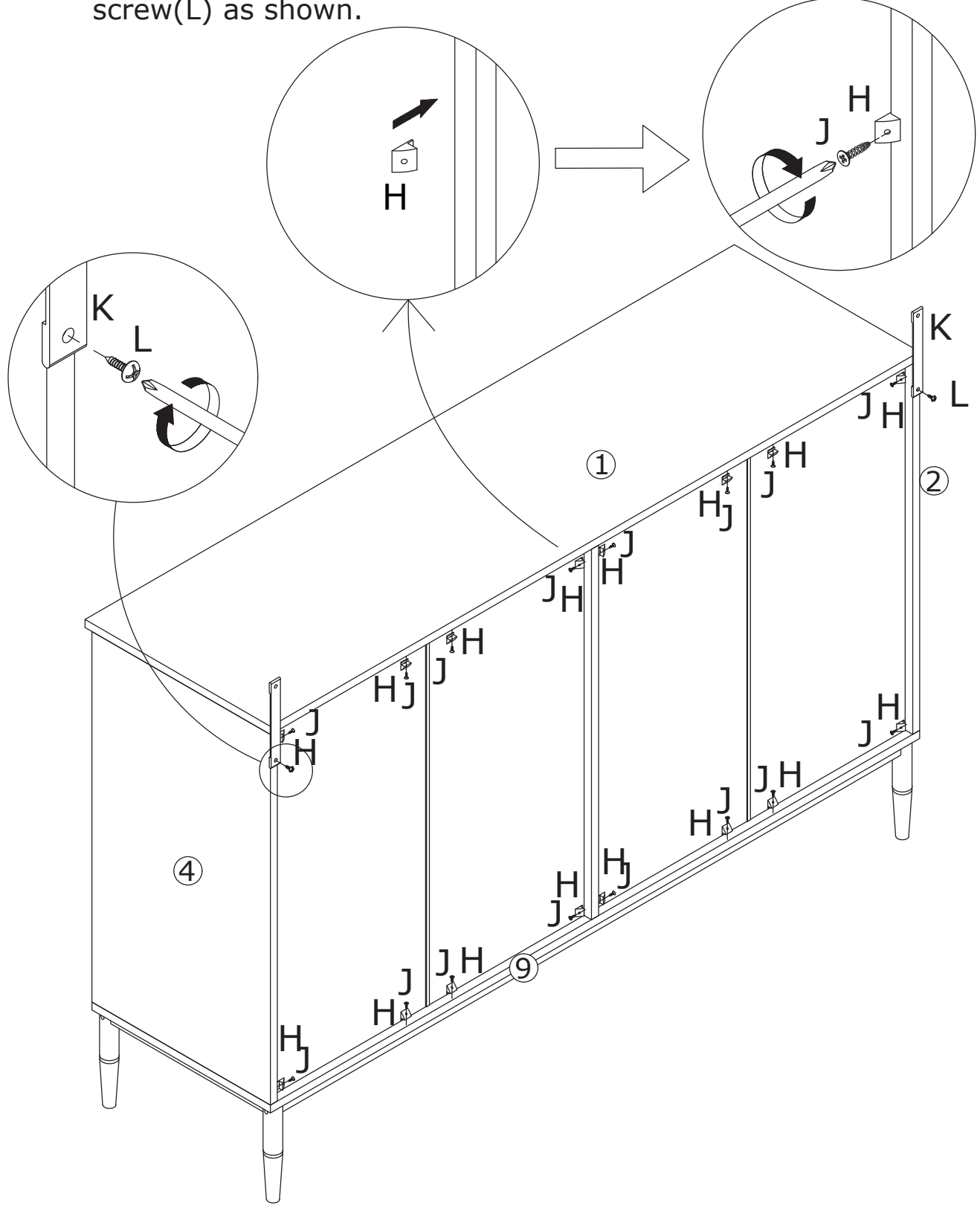
Cover board 1 to the top, add cam lock(B) into and turn clockwise to tighten as shown.



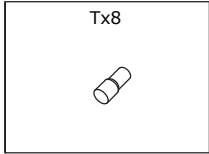
# 11

H x 16 	J x 16  Ø3 x 16 mm	K x 2 	L x 2  Ø4 x 14mm	
---	---	--	--	---

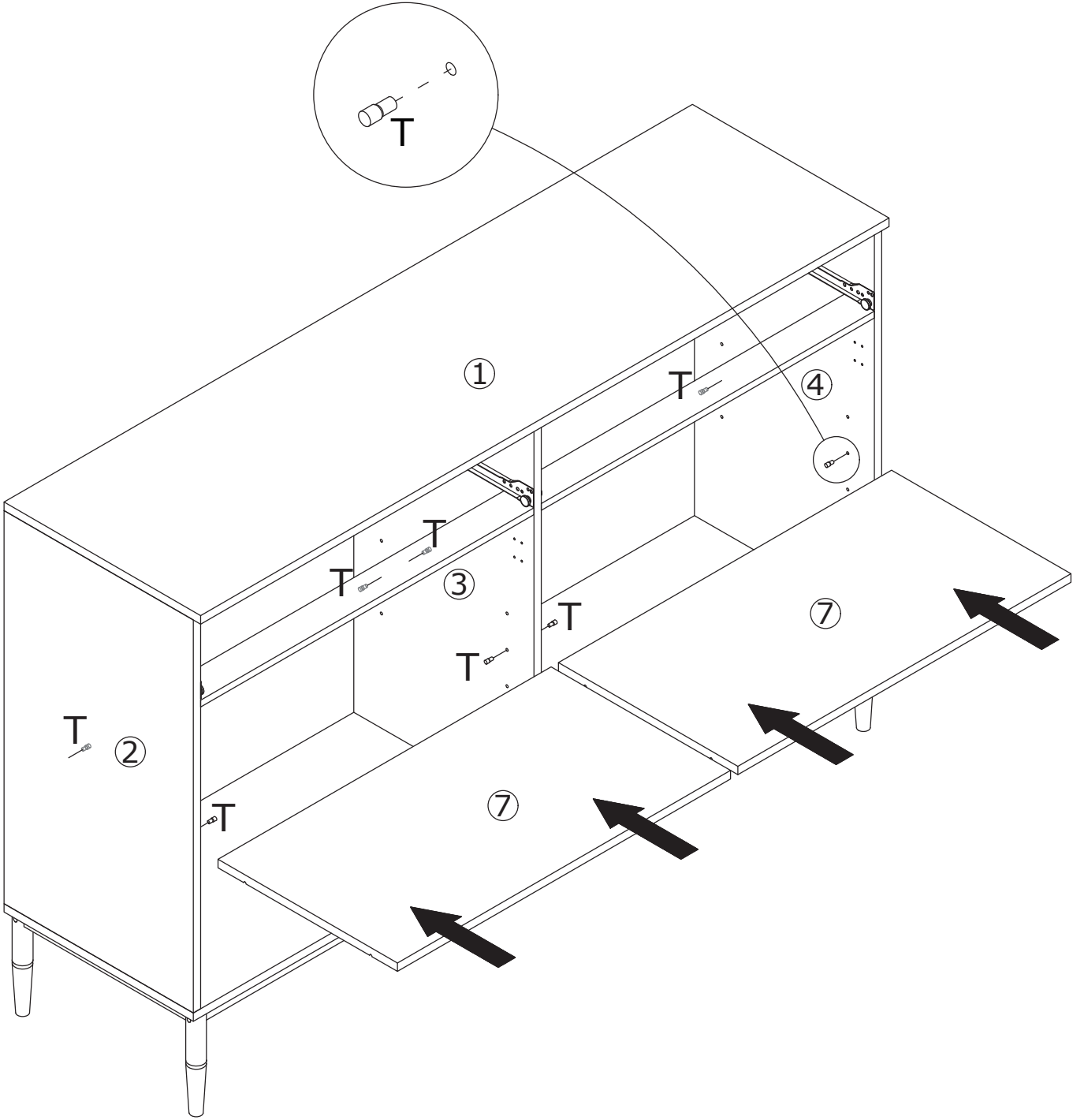
Insert buckle(H) into back slots and fix with screw(J) as shown.  
Fix strip(K) to back of board 2 and 4 with screw(L) as shown.




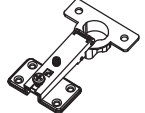
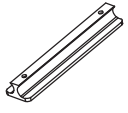

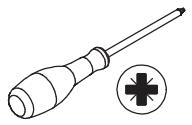
12



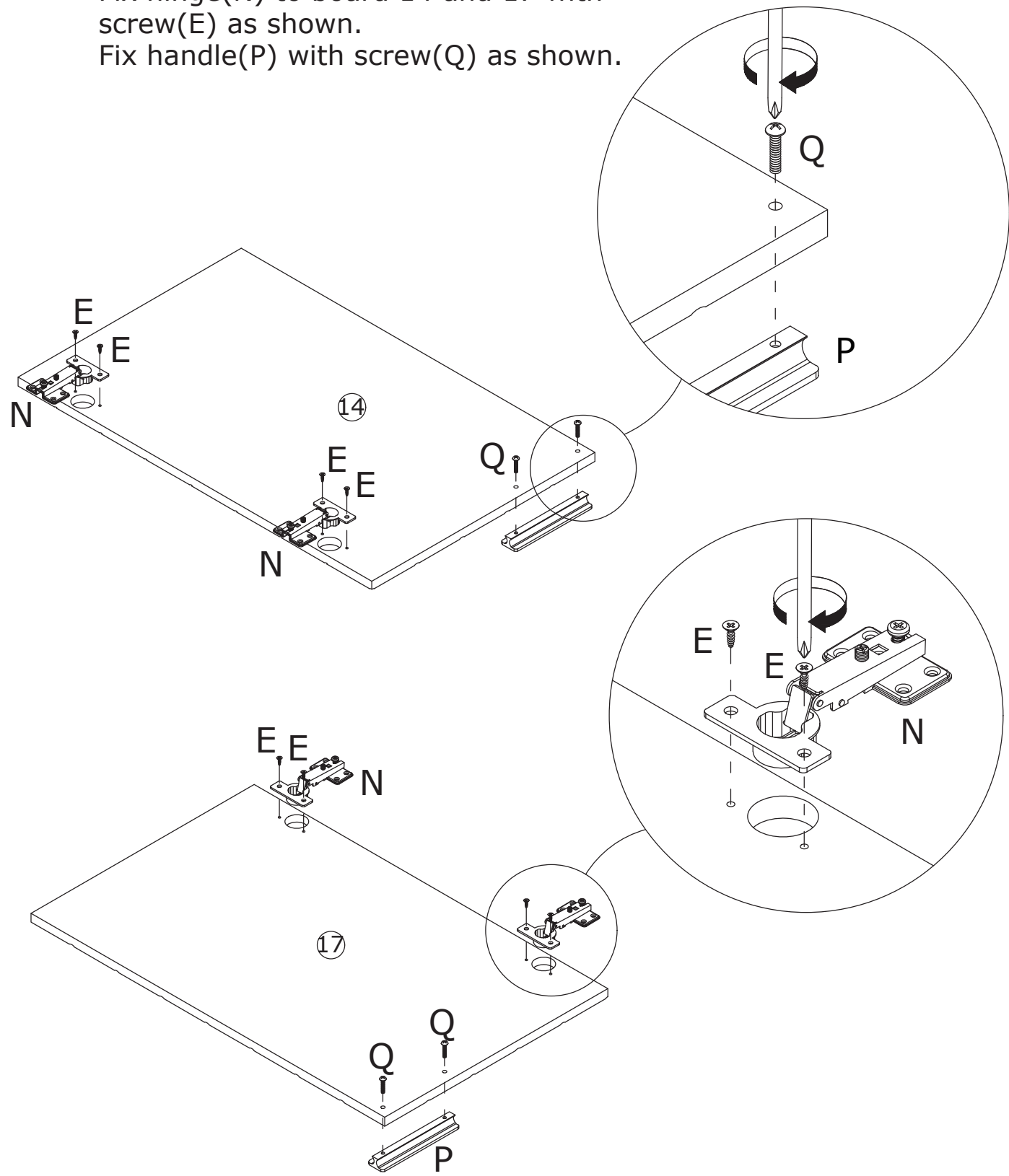
Insert part(T) to board 2,3,4 at first. Place shelf 7 in as shown.



# 13

E x 8  Ø3.5 x 12 mm	N x 4 	P x 2 	Q x 4  Ø4 x 16 mm	
--	--	--	---	---

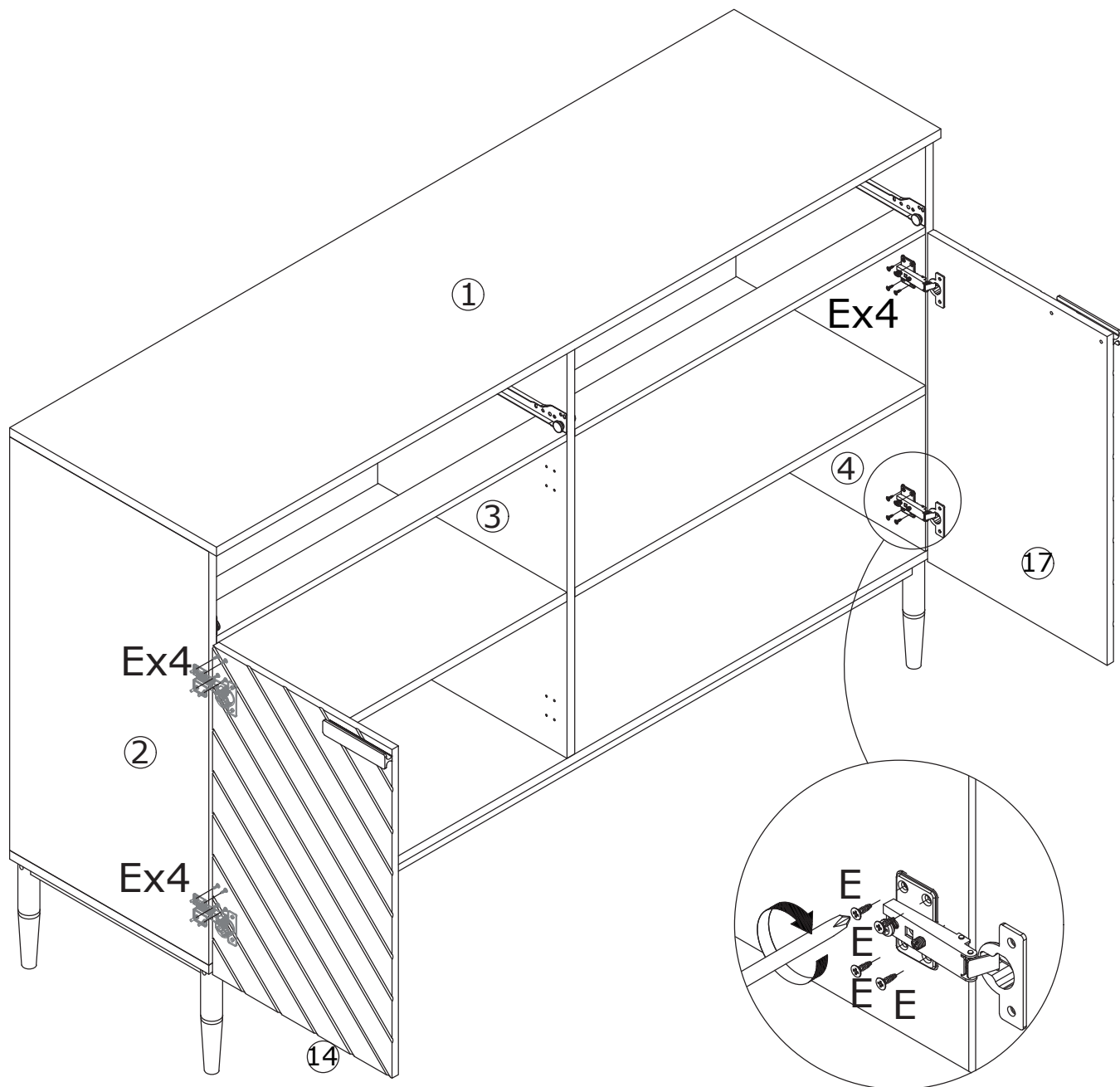
Fix hinge(N) to board 14 and 17 with screw(E) as shown.  
Fix handle(P) with screw(Q) as shown.




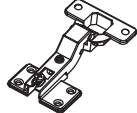
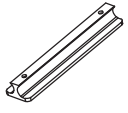

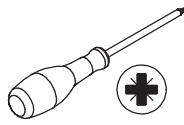
# 14

E x 16  Ø3.5 x 12 mm	
---	---

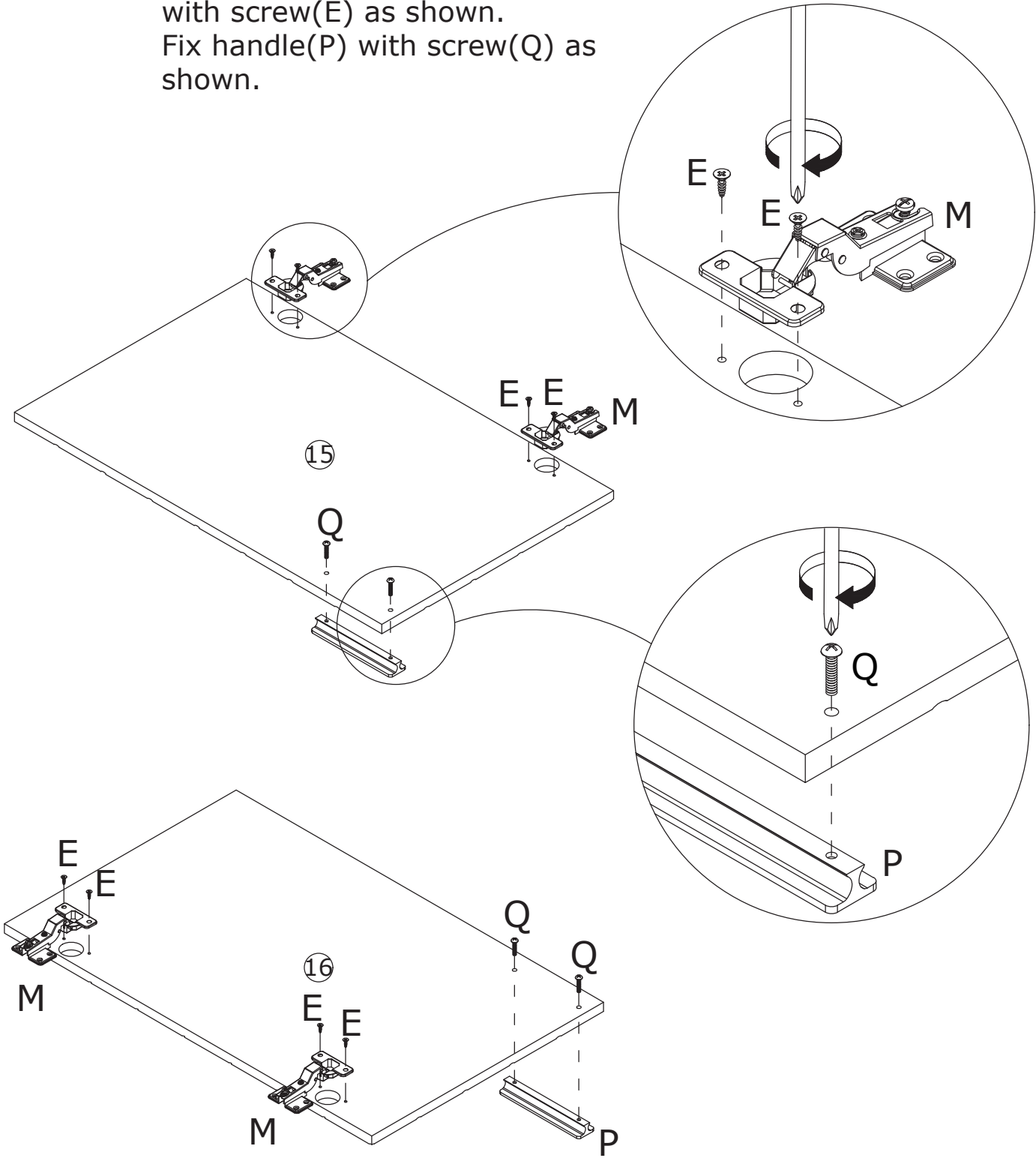
Assemble door 14 and 17 to outmost side boards by fixing hinge with screw(E) as shown.



15

E x 8  Ø3.5 x 12 mm	M x 4 	P x 2 	Q x 4  Ø4 x 16 mm	
--	--	--	---	---

Fix hinge(M) to board 15 and 16 with screw(E) as shown.  
Fix handle(P) with screw(Q) as shown.

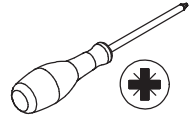


# 16

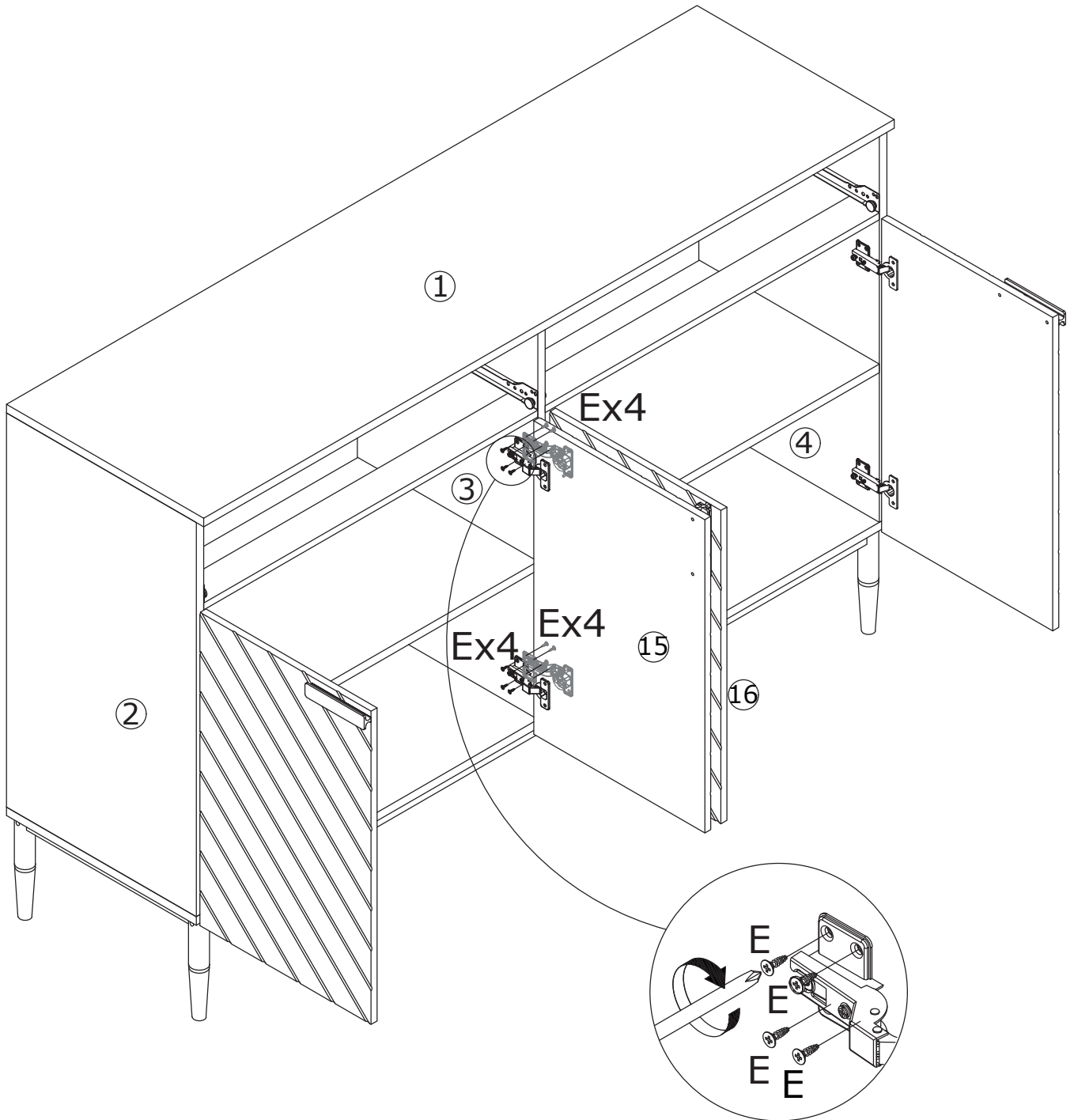
E x 16



Ø3.5 x 12 mm



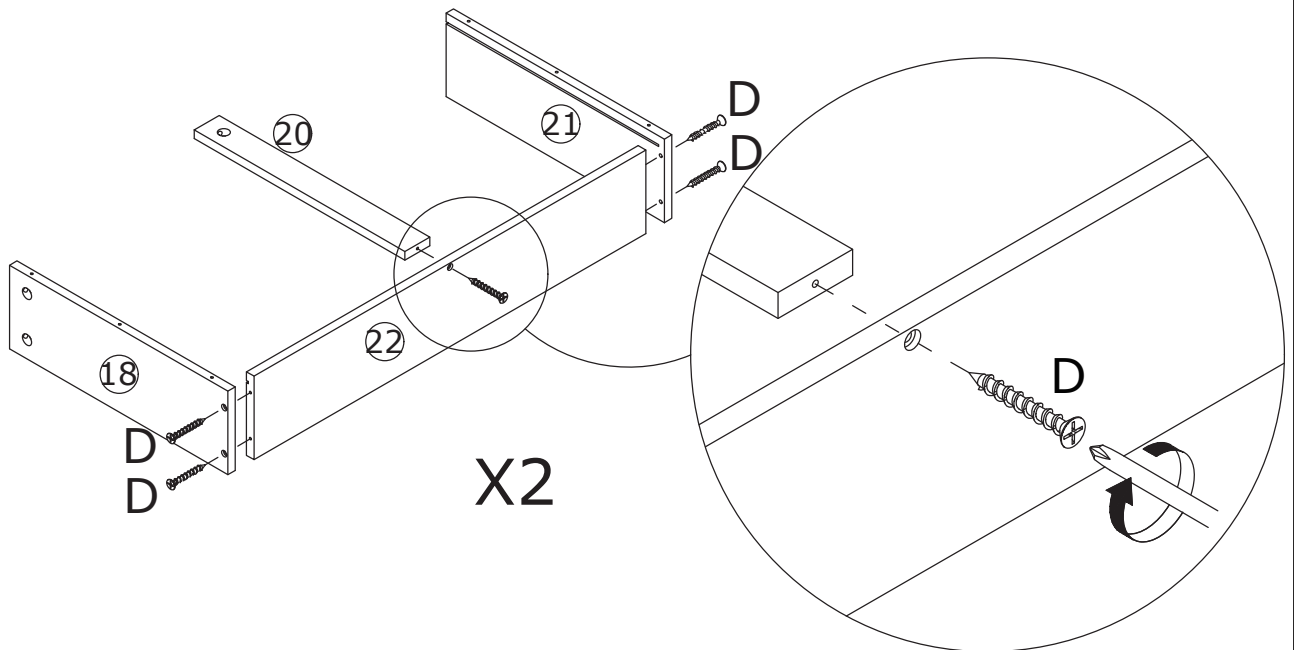
Assemble door 15 and 16 to middle board by fixing hinge with screw(E) as shown.



17



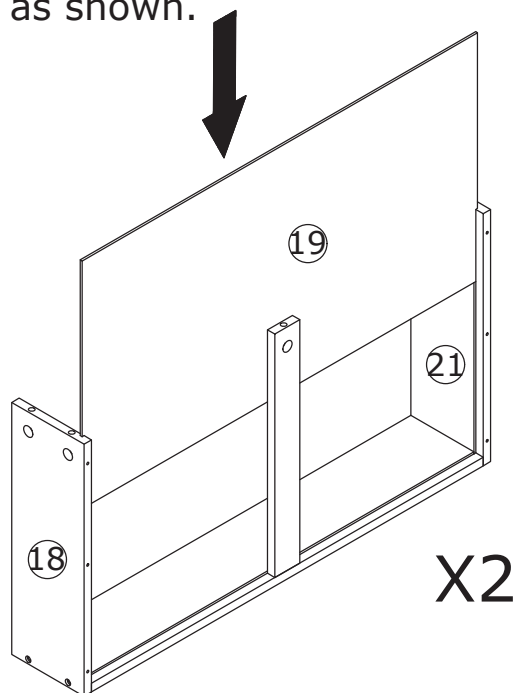
Fix board 18, 20 and 21 to board 22 with screw(D) as shown.



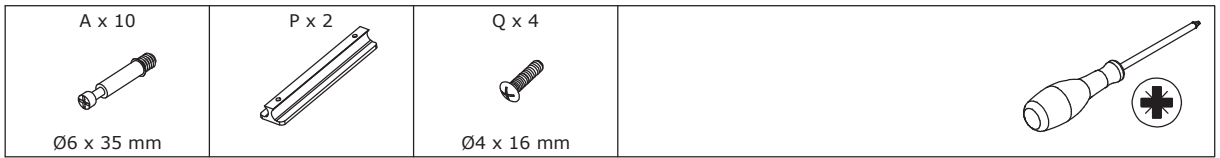
18



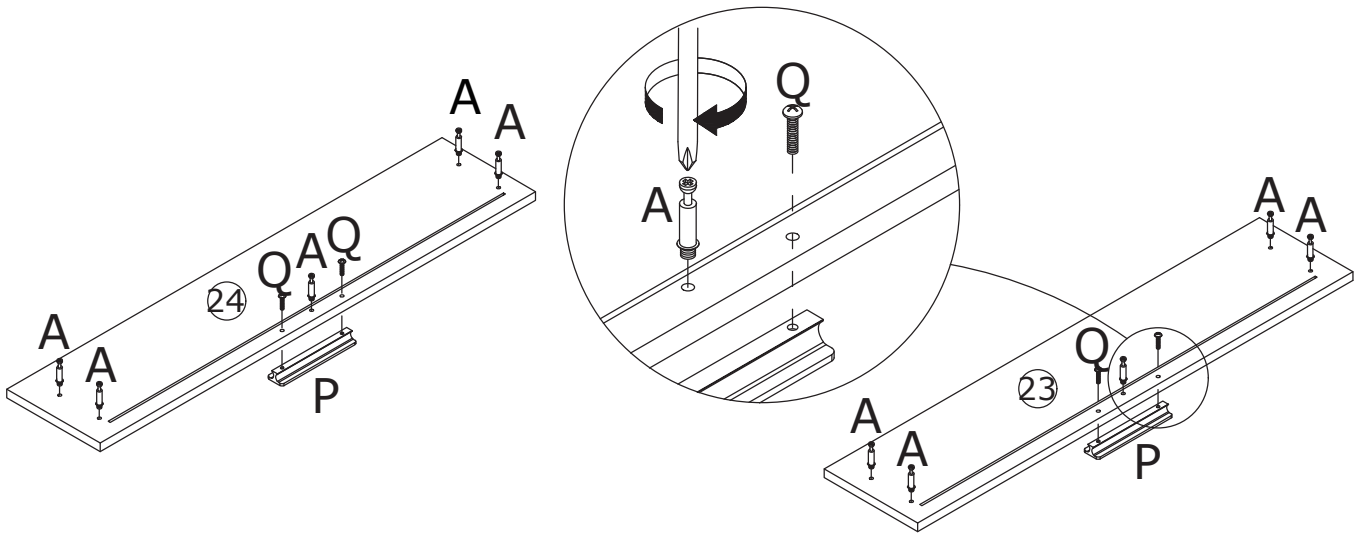
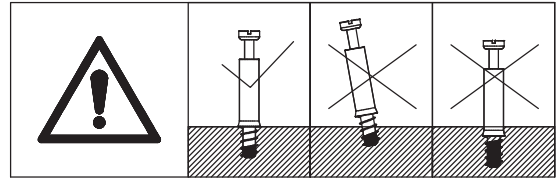
Insert bottom board 19 along grooves as shown.



# 19



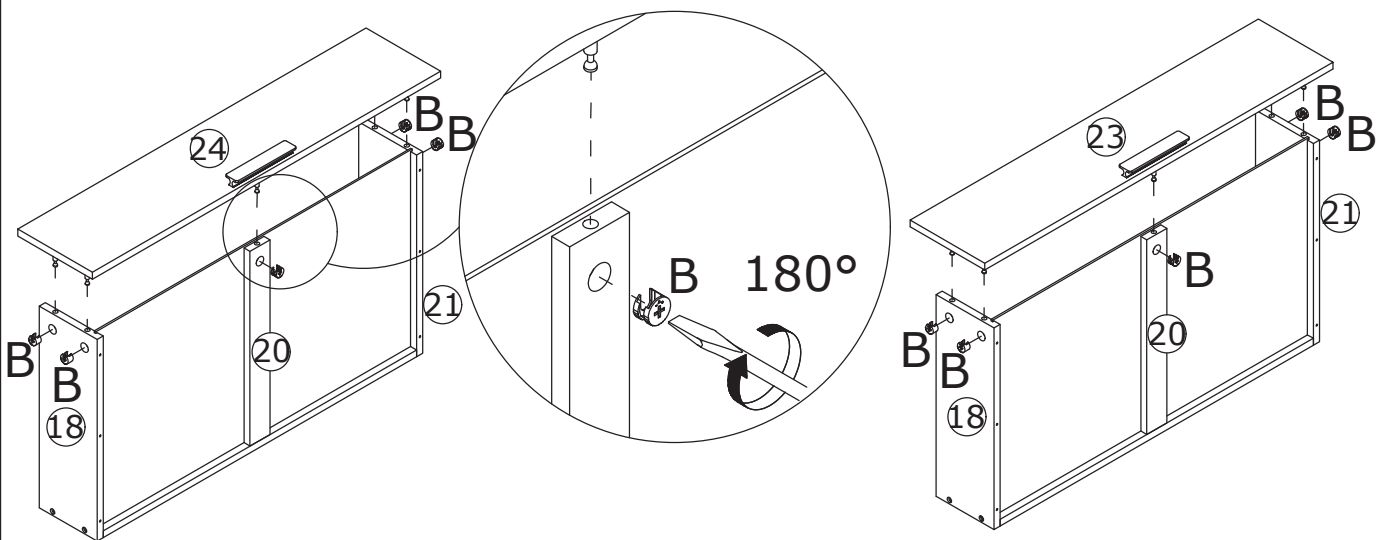
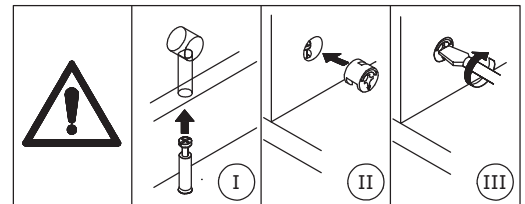
Screw eccentric rod(A) into board 23 and 24 as shown. Fix handle(P) with screw(Q) as shown.






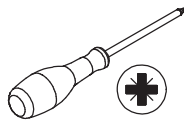
# 20



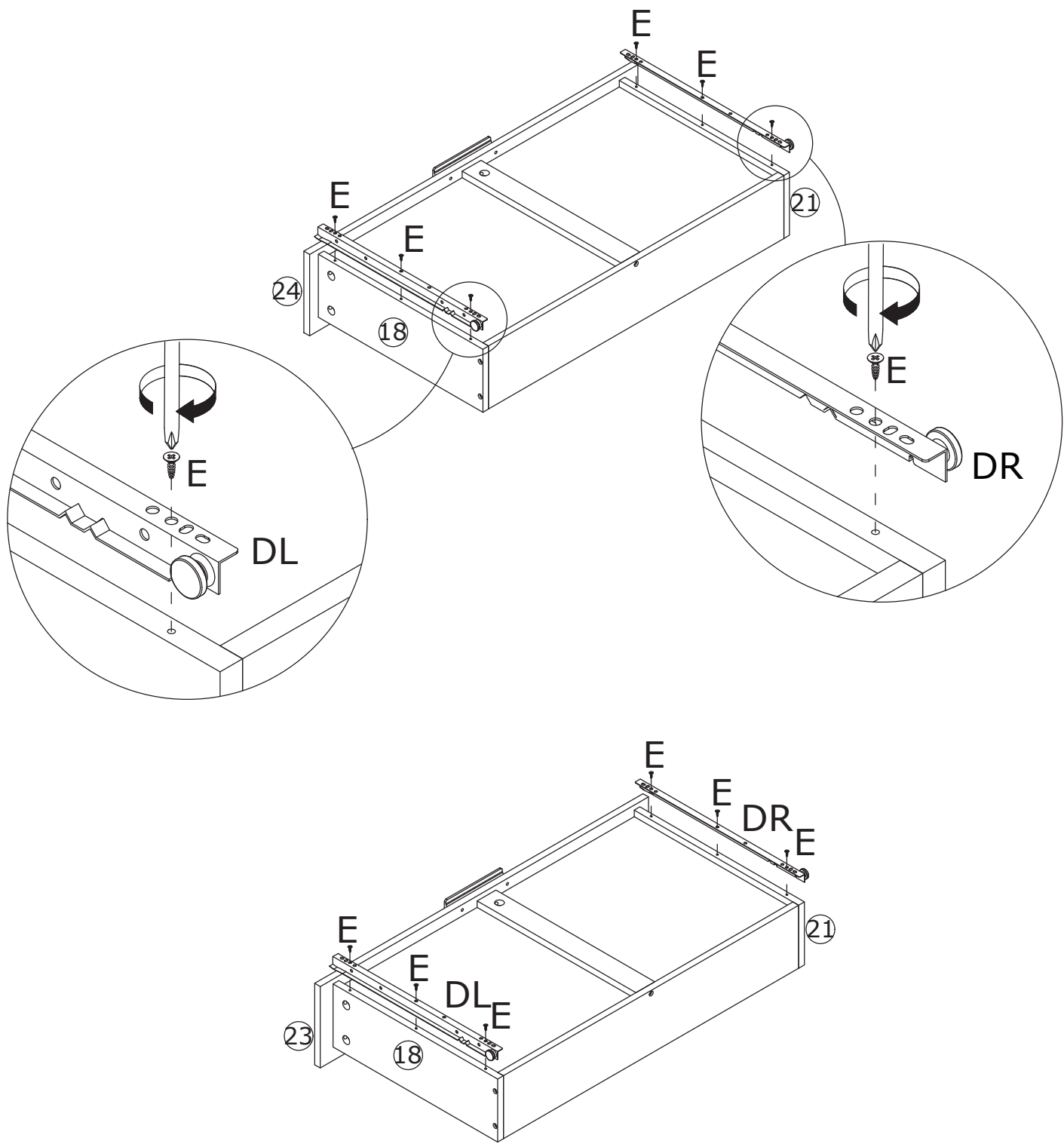
Attach board 23/24 to board 18, 20 and 21, add cam lock(B) into and turn clockwise to tighten as shown.



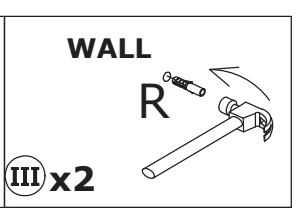
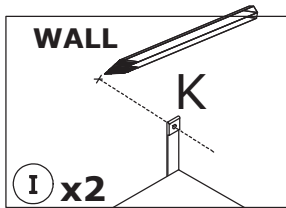
21

<p>E x 12</p>  <p>Ø3.5 x 12 mm</p>	<p>DL x 2</p>  <p>L350mm</p>	<p>DR x 2</p>  <p>L350mm</p>	
---	---	---	---

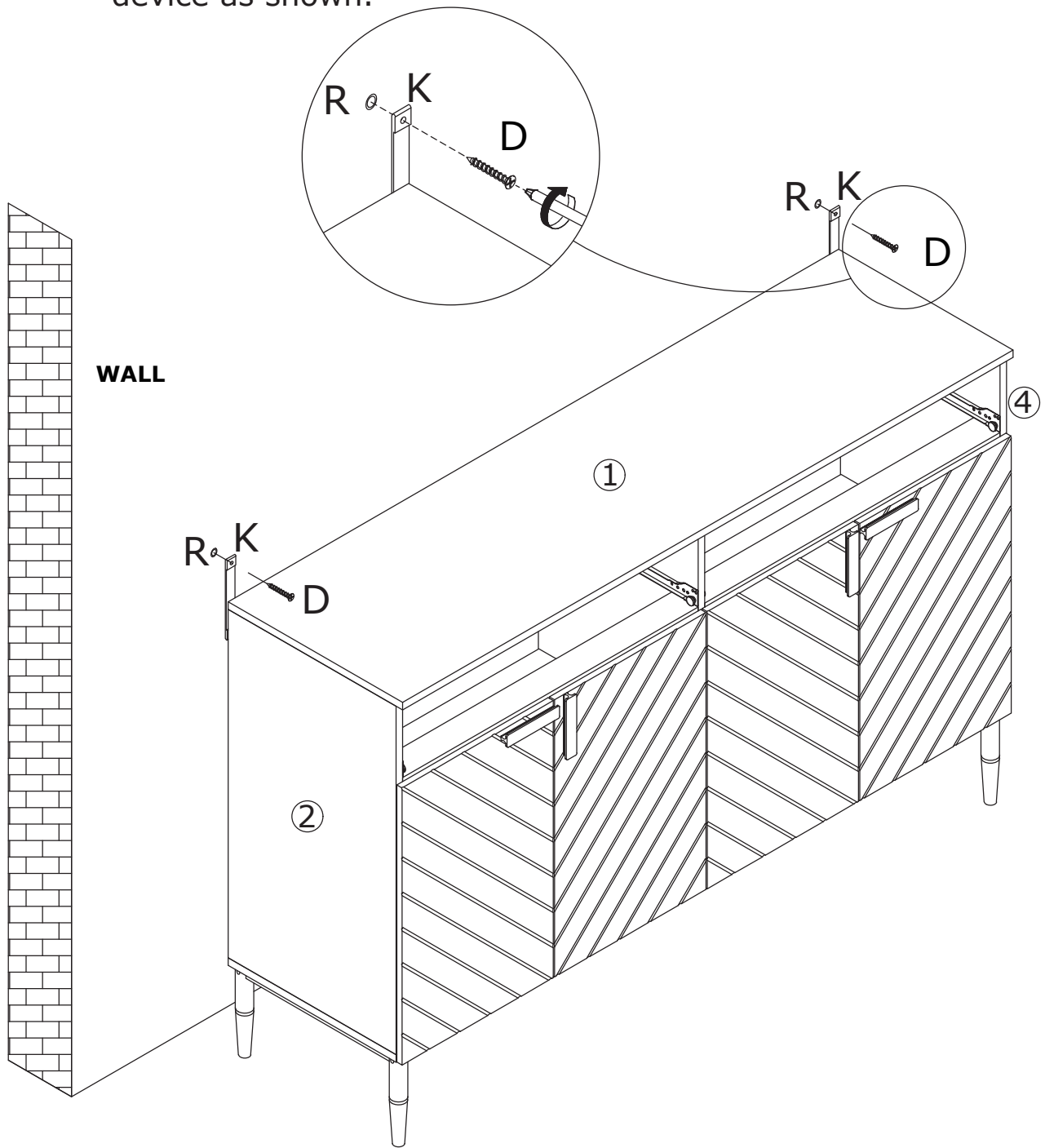
Fix runner(DL) and (DR) to board 18 and 21 respectively with screw(E) as shown.



22

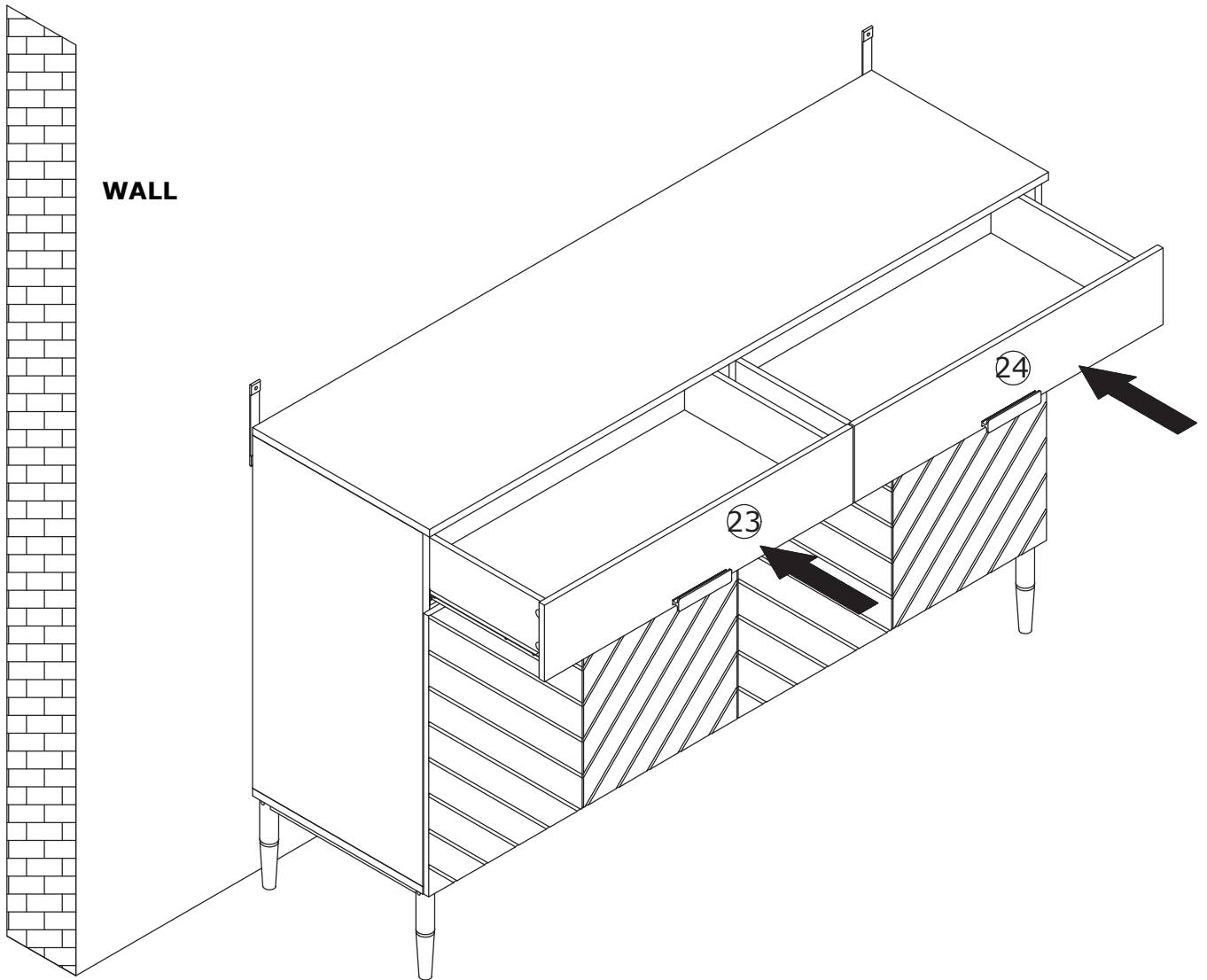


Install anti-tipping device as shown.

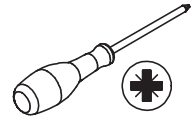


23

Align rails, slide all drawers.

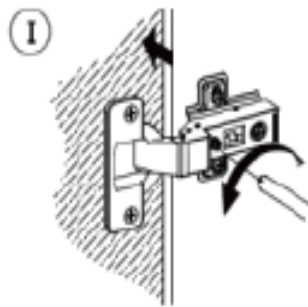
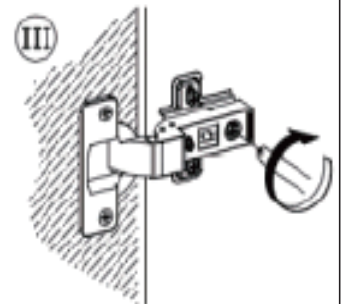
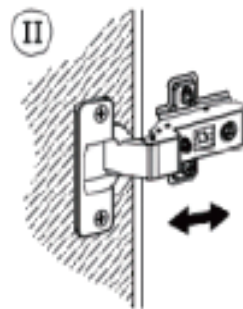
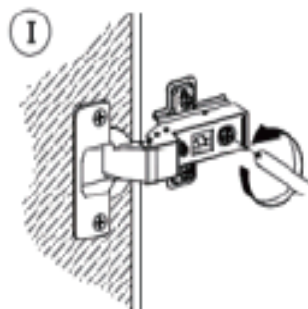
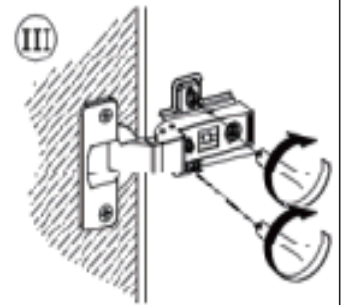
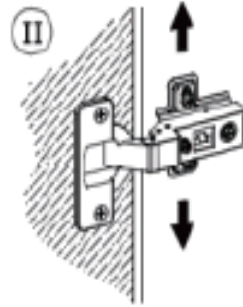
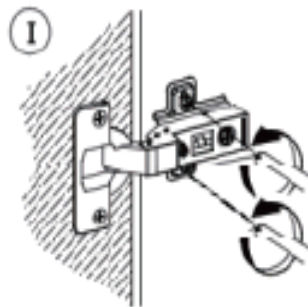
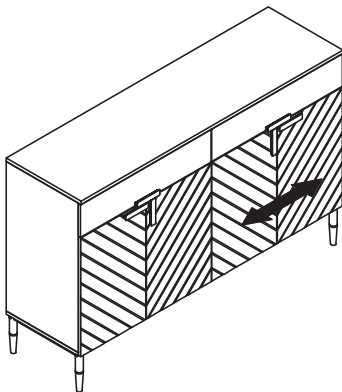
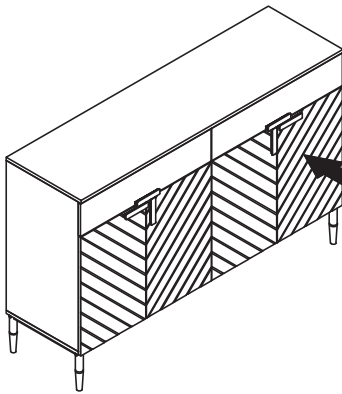
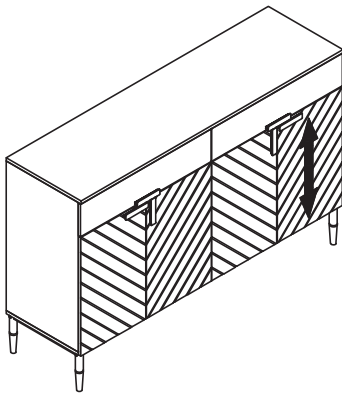
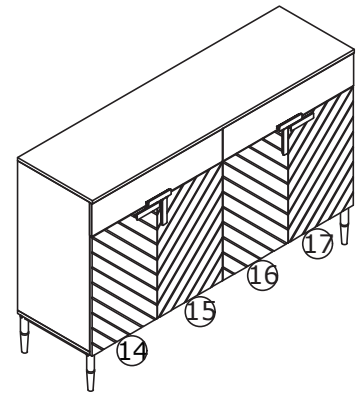


24



If doors are still not aligned if the hinges are properly correctly, please watch the video.

<https://youtu.be/n0Lb36SoODM>



# WARRANTY

## WARRANTY CLAIMS

- There is a 30-day warranty for broken furniture or any other problems that do not work properly. The warranty will start from the date of purchase which must be verified by proof of purchase.
- Before making a claim, we may be able to answer your query, simply call us. Please leave your purchase order number, along with some details of the problem, if you want a replacement part. We will arrange within 48 hours. If there is out of stock, we will reply with a shipping date.
- The product must be used in accordance with the instructions provided. For health reasons.
- For other reasons, if the furniture needs to be returned, it must be cleaned and dried and operated within 30 days of receipt.

## Type of Warranty Claim

- Failure to follow the furniture instructions will invalidate the warranty. Attention please.
- Does not include damage during installation, but includes damage during transportation.

## Scope of responsibility

- Shall not bear any responsibility for misuse or user damage and / or loss of parts during the installation of furniture.
- After using, the damage and scratches of the furniture are not covered by the warranty.

## The Warranty Relates to All Bought in The Us and Covers The Following Areas

- Sheet parts: 1 month from the date of purchase.
- Electrical parts: 1 month from the date of purchase.

# RETURNS

## CHANGED YOUR MIND AND NEED TO RETURN YOU ITEM?

### PLEASE FOLLOW THE BELOW INSTRUCTIONS:

- If you have purchased and have simply changed your mind, follow the retailer's instructions for returns.

### DEFECTIVE ITEMS

- If your item is defective in any way, i.e. it doesn't work but you can't identify why, in the first instance, please call us.

### DAMAGED ITEMS

- If you receive an order with obvious shipping damage from the retailer, then we suggest the delivery is refused. If the delivery has been accepted and then shipping damage is found, please follow the specific instructions advised by the retailer. In all circumstances please save all packaging material and paperwork for the order. Please be aware that if you dispose of packaging material or attempt to return the merchandise without contacting the fulfiller, you jeopardise your chances of making a claim, and you may not receive a credit for the return.

### AFTER-SALES CONTACT



[feedbackstation@163.com](mailto:feedbackstation@163.com)



(303)800-6387