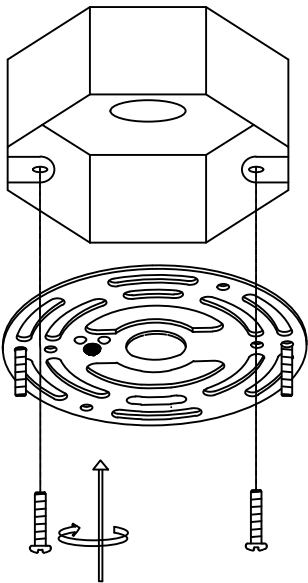


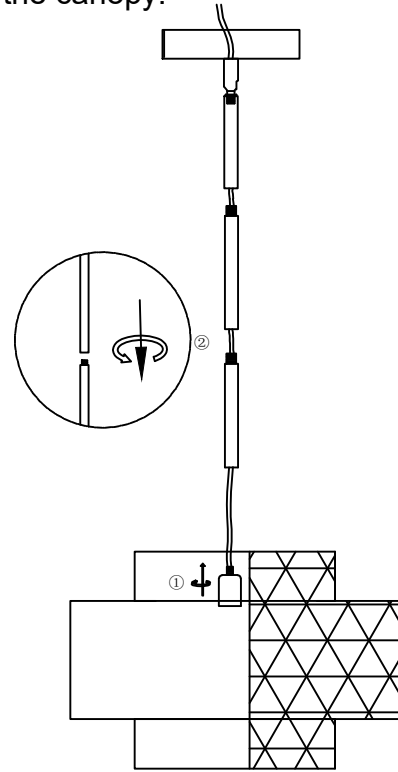
Installation

L016005-D320-P1W

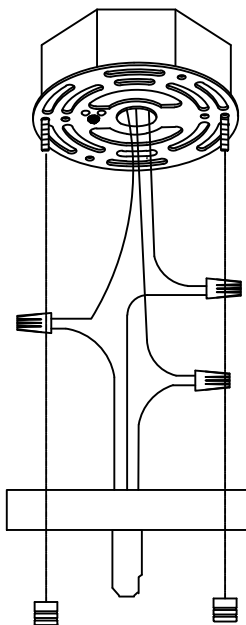
- 1** Install the mounting plate to the outlet box by screws.



- 2** ① Put the lamp holder's wire through the shade.
② Combine the rod to suitable length and put the wire through it, then install to the canopy.



- 3** Connect the wire by connector, and fix the canopy to the bracket by ball nut.



- 4** Install E26 bulbs.

