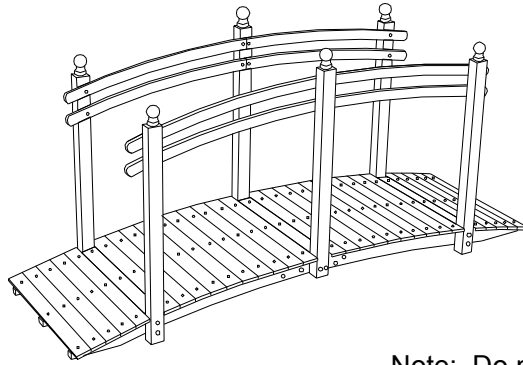



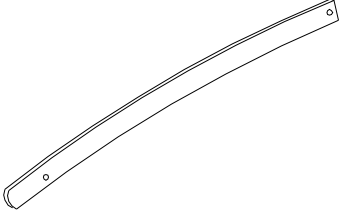
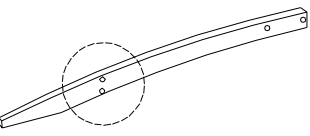
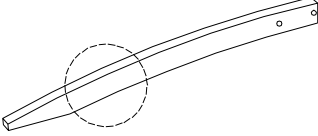
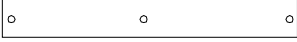
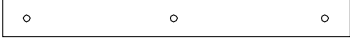
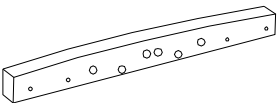
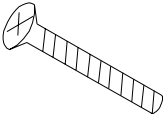
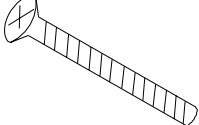
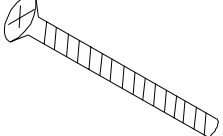
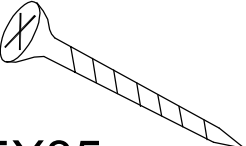

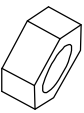


# 7.5-FT WOODEN GARDEN BRIDGE

## ASSEMBLY INSTRUCTIONS



Note: Do not tighten all screws until last step

<p>A (2pcs)</p> 	<p>B (2pcs)</p> 	<p>C (2pcs)</p> 	<p>D (8pcs)</p> 
<p>E (4pcs)</p> 	<p>F (2pcs)</p> 	<p>H (3pcs)</p> 	<p>I (30pcs)</p> 
<p>J (4pcs)</p> 	<p>① 14 pcs</p>  <p>8X70mm</p>	<p>② 8 pcs</p>  <p>8X100mm</p>	<p>③ 4 pcs</p>  <p>8X110mm</p>
<p>④ 131 pcs</p>  <p>3.5X35mm</p>	<p>⑤ 26 pcs</p> 	<p>⑥ 26 pcs</p> 	<p>TOOL</p> 