

# EOF LED Emergency Outdoor Full Cutoff

The LED Emergency Outdoor Full Cutoff combines 90-minute emergency lighting with a low-profile, architectural design. The EOF is designed for outdoor use, with an optional cold-weather kit for added reliability in northern climates. The EOF comes standard with a photocell, with an optional motion sensor adding even more energy efficiency. An internal selector switch allows bypassing the photocell to control the unit from a wall switch. A nonemergency unit is available for locations not requiring battery-backup, providing a uniform look for all fixtures.

## Construction

- IP65 Rated enclosure
- Durable die-cast Aluminum body
- Separable backplate for easy installation and maintenance

## Optical System

- Polycarbonate lens
- Utilizes advanced LED technology with CCT of 3000K and 5000K
- CRI 70+

## Electrical

- Input voltage of 120/277
- Maintenance-free NiCad battery provides
- 90-minute emergency operation
- LED indicator light & test button with self-testing, self-diagnostic option
- Photocell standard with selectable wall switch control
- Motion sensor option for additional energy saving
- Operating Temperature:
- EM: 32°F to 122°F (0°C to +50°C)
- Non-EM and EM Cold Weather: -13°F to +122°F (-25°C to +50°C)

## Mounting and Installation

- Fixture mounts directly to J-Boxes and walls with screws
- Wiring possible through backplate or 1/2" conduit knockout
- For installations where power surge may be possible, NICOR recommends installing additional surge protection at the electrical distribution panel

## Finish

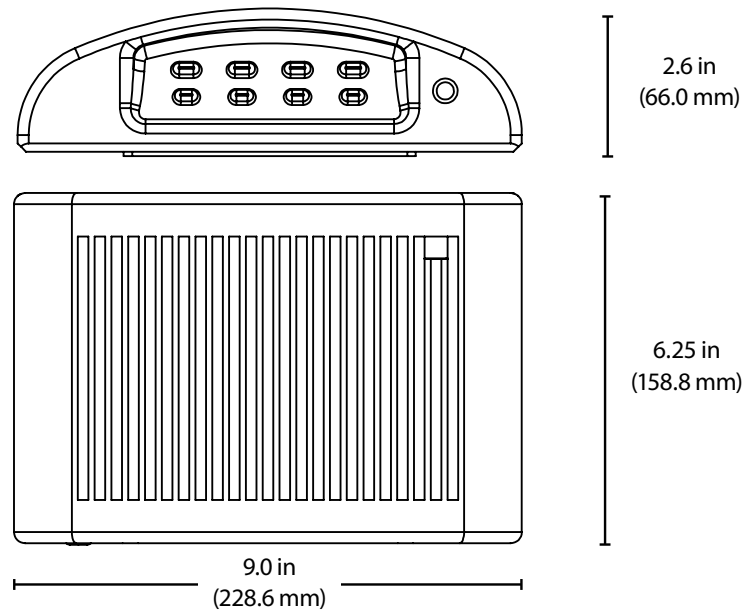
- Fine-textured, UV-stabilized powder coat bronze, white, black, or silver finish

## Listings

- LM-79, LM-80 testing performed in accordance with IESNA standards.
- UL & cUL 924 Listed
- Meets or exceeds requirements of NFPA 70 & NFPA 101
- Meets FCC Part 15, Subpart B, Class B standards for conducted and radiated emissions
- TM-21 Projected L70(9k) life >72,000 hours

## Warranty

- 2-year limited system warranty standard
- Warranty does not cover product failure due to an overvoltage event (power surge)



Product Information	
Input Voltage (VAC)	120/277
Power Draw (W)	17
Delivered Lumens - Standard Operation (Lm)	1555
System Efficacy (Lm/W)	92
Correlated Color Temp (K)	3000K or 5000K
Color Rendering Index (CRI)	72
Delivered Lumens - Emergency Operation (Lm)	560
Emergency Operation	Minimum 90 minutes



# Applications



The EOF series can be installed in many outdoor applications such as warehouses, parking structures, apartments, multi-family, etc.

# Installation



Fixture mounts directly to wall or J-boxes via screws. The backplate makes wiring possible with conduit and wiring knockouts.



The EOF is equipped with a photocell standard with selectable wall switch control.

Ordering Information									
Series	Version	Voltage	CCT	Housing Color	Photocell	Motion Sensor	Testing	Cold Weather	Emergency
EOF	1	MV (120/277VAC)	3K (3000K)	BZ (Bronze)	P (Photocell)	_(No Sensor)	_(Manual)	_(Standard)	_(Emergency)
			5K (5000K)	WH (White)*		M (Motion Sensor)	S (Self-Diagnostic)	C (Cold Weather)	AC (Non-EM)
				BK (Black)*					
				SV (Silver)*					

\*Consult manufacture for availability