

# 6030 Walk-in Bathtub SSA Entry Series

SAFETY TUBS®



The Safety Tubs 60" x 30" Gelcoat walk-in bath provides the maximum in therapeutic soaking pleasure with the largest water capacity in our product line. The full sized, contoured door with a low door threshold allows ease of entry and exit.

Fully equipped, the Entry Series offers all the latest in safety and comfort features bundled together at one low cost and backed by a lifetime warranty on the door seal, a 10 year warranty on the tub shell and a 5 year warranty on all other components.

## WHIRLPOOL MASSAGE



A soothing and invigorating water jet massage system, the Jet Massage features a single speed control. Customize premium back and leg muscle therapies with 6 different water jets. The Jet Massage is combined with all of the features of the Soaker Tub providing an enhanced therapeutic bathing experience.

## AIR SPA MASSAGE



Experience a soft and caressing all-over body massage powered by a single speed heated blower that releases thousands of air bubbles rising throughout the water from 21 different air jets. The automatic purge cycle helps keep the system running efficient and clean. The Air Massage is combined with all of the features of the Soaker Tub providing an enhanced therapeutic bathing experience.

## COMBINATION SYSTEM



Combines all of the features of the Soaker Tub, the Jet Massage Systems and the Air Massage for the ultimate therapeutic bathing experience.

# SSA6030 ENTRY SERIES 60" x 30" WALK-IN BATH

## SSA6030XS.XX Soaking Tub

- Available in White or Linen and in Left Hand or Right Hand Door/Drain Configuration
- Watertight door system with a lifetime warranty on the door seal
- Built-in chair height seat
- Color matched trim and cable driven waste and overflow
- Built-in safety bar and textured tub floor
- Premium tub faucet and handheld showering wand

## SSA6030XJ.XX Whirlpool Massage System

### Combines all of the features of the Soaking Tub, plus:

- 6 massage jets with variable flow

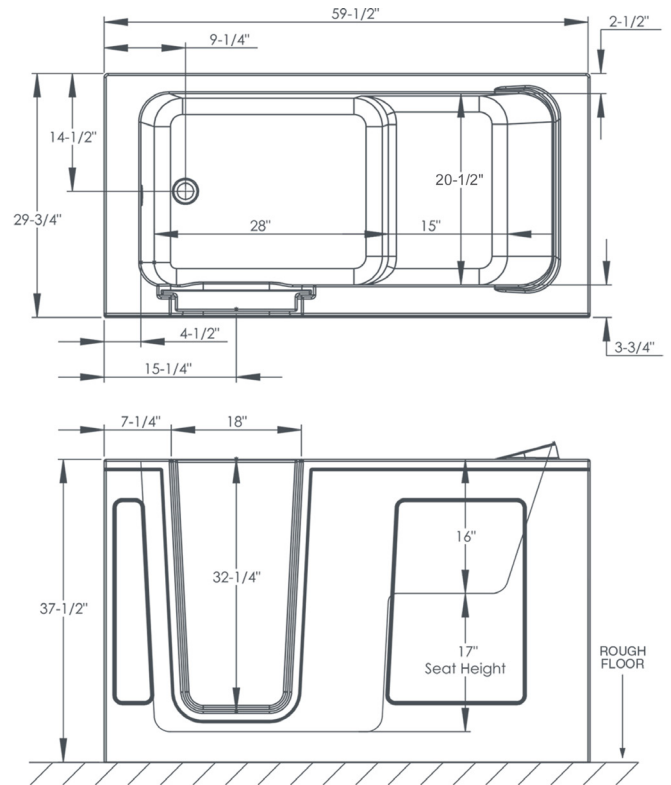
## SSA6030XA.XX Air Spa System

### Combines all of the features of the Soaking Tub, plus:

- 21 seat and floor air injectors
- Single speed heated blower
- Automatic purge cycle

## SSA6030XD.XX Combination System

### Combines all of the features of the Soaker Tub, the Whirlpool Massage and the Air Spa Systems for the ultimate therapeutic bathing experience



### GENERAL SPECIFICATIONS FOR SSA6030XX.XXX WALK-IN BATHTUB

INSTALLED SIZE	_____ 60" x30" x37" (1524 x762 x940mm)
WEIGHT	_____ 150 lbs (68 Kg)
WEIGHT W/WATER	_____ 900 lbs (408 Kg)
OPERATING GALLON	_____ 75 Gal. (284L)
FLOOR LOADING	_____ 73 lbs/Sq Ft (275 Kg/Sq M)
(PROJECTED AREA) CUBE FT <sup>2</sup>	_____ 38.5

### To Be Specified - Required:

- Drain Configuration: Left (L) or Right (R)
- Color: White (W) or Linen (L)

### Options:

- Handshower Glide Bar: 9HSB
- 24 inch Grab Bar: 9GB-24
- Neck Rest: 9NR



Designed to  
improve mobility  
& make life easier

**Notes:** The whirlpool heater is designed to maintain water temperature during operation. It will not heat cold water to desired bathing temperature. Tub is supported by the frame and five integrated adjustable feet, no additional support required. Refer to installation instructions supplied with tub for additional information. Provide suitable reinforcement to sub floor for all supports.

**Our products are in compliance with the following codes:** Uniform Plumbing Code UPC®; National Plumbing Code of Canada; International Plumbing Code IPC®

**Our products conform to the following standards:** ASME A112.19.7, ASME A112.19.15; CSA B45, CSA B45.5; CSA C22.2 No. 218.2; UL-1795; ANSI Z124.1.2

**Our products are listed with:** c ETL us

**IMPORTANT:** Dimensions of fixtures are nominal, may vary and are subject to change or cancellation. No responsibility is assumed for use of superseded or voided leaflet.