

SlimTrim Technical Information

SlimTrim

Our SlimTrim **3-in-1 Molding** functions as a Reducer, T-Molding, and End Cap. Comes with SlimTrack & Versatrack Shim for floors up to 1/4" (6.35mm) or dowels for floors up to 3/4" (19mm). See illustrations below for details.

Surface Material: High Wear Resistant Aluminum Oxide Laminate

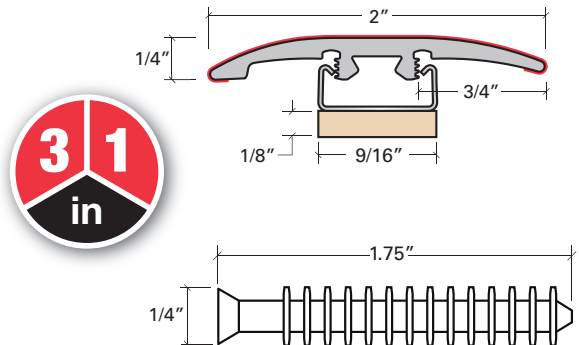
Core Material: PVC

Dowel

To be used with SlimTrim for floors up to 3/4" (19mm).

Comes as a tree of 8 dowels.

Material: Polystyrene

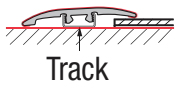


Applications*

LVT Floors

1 Reducer:

Up to 1/4"
(0-6.35mm)**



Track

2 Transition:

1/16 to 1/8"
(1.6-3mm)** 1/8-1/4"
(3-6.35mm)**



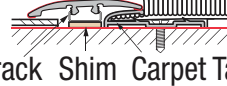
Track



Shim

3 End Cap: (Hard Surface to Carpet)

Up to 1/4"
(0-6.35mm)**

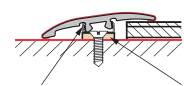


Track Shim Carpet Tap
Down Trim

WPC Floors

1 Slim SlimTrim-P29

as a **Reducer**
1/4-3/8"
(6.35-9.5mm)**

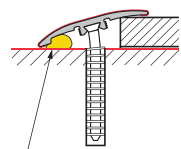


SlimTrack Shim

Laminate Floors

1 Reducer:

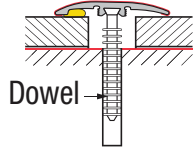
Up to 3/4"
(0-19mm)**



Must Be Glued to
Non-Floating Surface

2 Transition:

Up to 3/4"
(0-19mm)**

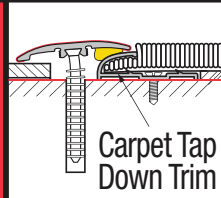


Dowel

3 End Cap: (Hard Surface to Carpet)

Up to 3/4"
(0-19mm)**

A Carpet Tap
Down Trim**
MUST be Used
When Installing
Slim Trim on
Carpet

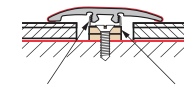


Carpet Tap
Down Trim

*Sold at your local hardware store

2 Slim SlimTrim-P54

as a **Transition**
1/4-3/8"
(6.35-9.5mm)**



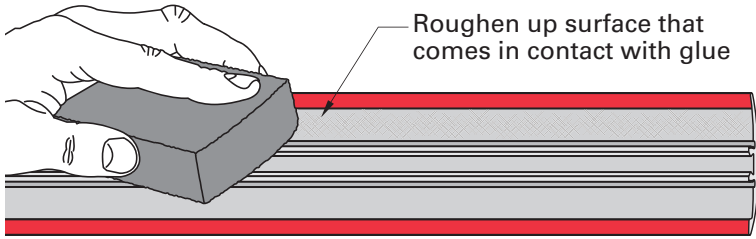
SlimTrack 2 Shims

*The installation instructions shown on this page are suggestions of how to install our moldings. Versatrim does not assume responsibility for any product failure or liability due to installations that are in violation of the flooring manufacturer's installation guidelines and/or warranties.

**All references to flooring thickness refer to the total thickness of all members of the floor installation being laid upon the subfloor. This typically is comprised of the flooring plank, e.g. Vinyl or Laminate, the underlayment, either attached or loose lay and any additional vapor barriers.

SlimTrim as a TRANSITION - OPTIONAL DOWEL INSTALLATION

NOTE: SlimTrim Dowels are sold separately. Please contact your Sales Representative to order.



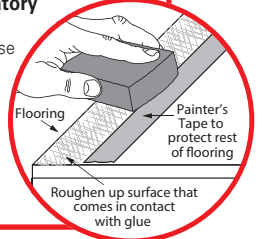
Step 1

Install your flooring planks (See Step 3). Clean flooring and molding as directed below:

CLEANING PREPARATION FOR BOTH SURFACES

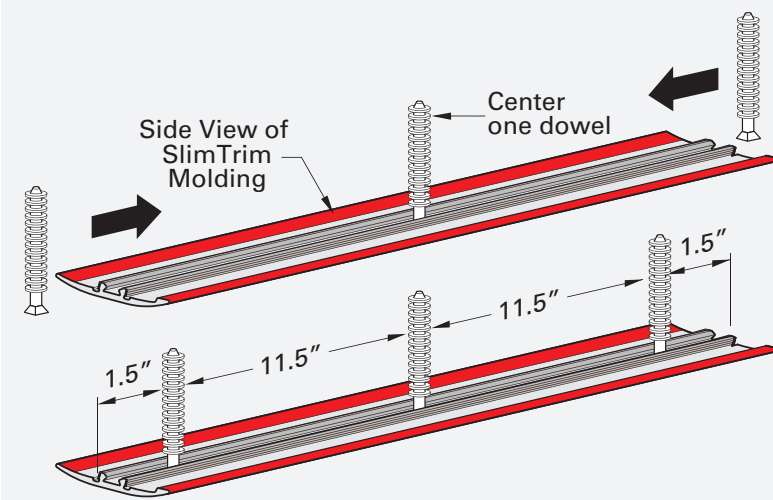
Preparing the floor & molding as outlined is mandatory to achieve the required bonding strength

1. Use a damp cloth (water only) to clean both surfaces of loose particles or surface films.
2. Roughen the surfaces with sandpaper (100-150 grit), sanding sponge or metal brush. For flooring, only roughen up area that will be covered (1.25" to 1.5").
3. Degrease both surfaces to remove all traces of oil, grease, dust, and fingerprints by using a solvent such as methyl ethyl ketone (MEK), acetone or isopropyl alcohol.
4. Let both surfaces dry thoroughly before applying adhesive.

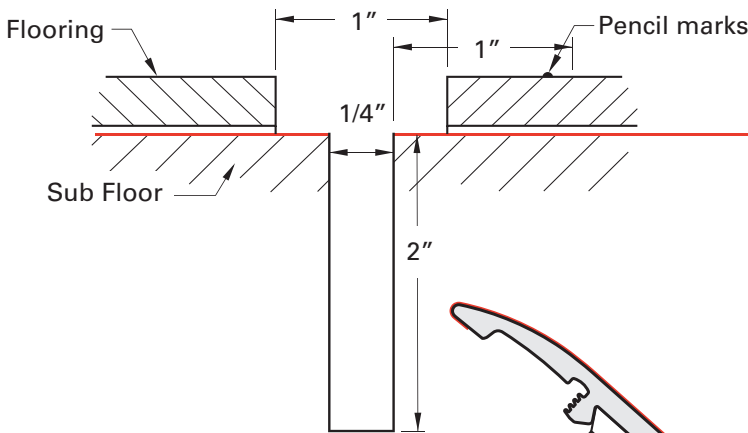
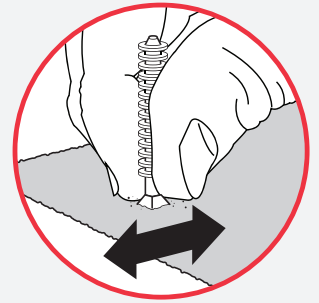


Step 2

Each dowel tree (sold separately), contains 8 dowels. Carefully cut or break dowels off of tree. Slide one dowel into molding groove and position in center of molding. Insert additional dowels from both ends. Space dowels 11.5" apart and 1.5" from ends.



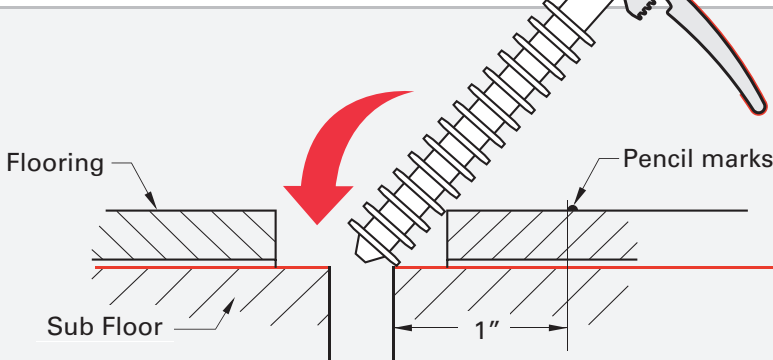
NOTE: Dowels have to fit tightly for the molding to function properly. If you find the dowel is too difficult to slide in, take 100/120 grit sandpaper, lay it flat on a surface and sand down the dowel head slightly with a couple of passes.



Step 3

Install the flooring planks, by leaving a 1" inch (25mm) gap for the installation of the molding. Draw a line on the flooring for the placement of the holes. Using a 1/4" drill bit, pre-drill holes into the flooring 2" deep. Be sure to use the same measurements as the dowels, keeping the holes 11.5" apart. With a pencil, mark on the floor where each dowel is located (You will need these for Step 7). Pencil marks should be about 1" from the pre-drilled holes.

NOTE: Be sure to vacuum pre-drilled holes.



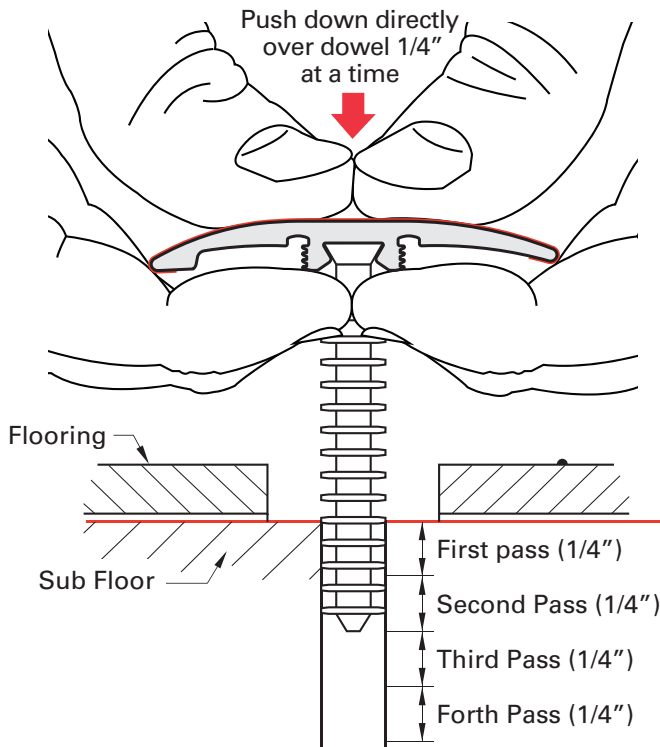
Step 4

Carefully line up dowels with pre-drilled holes. Make adjustments to the dowel positions on the molding if needed.

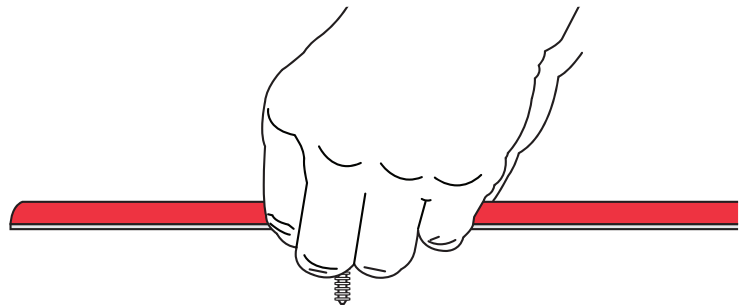


This end of the SlimTrim MUST be placed on the lower of the two surfaces.

SlimTrim as a TRANSITION - OPTIONAL DOWEL INSTALLATION



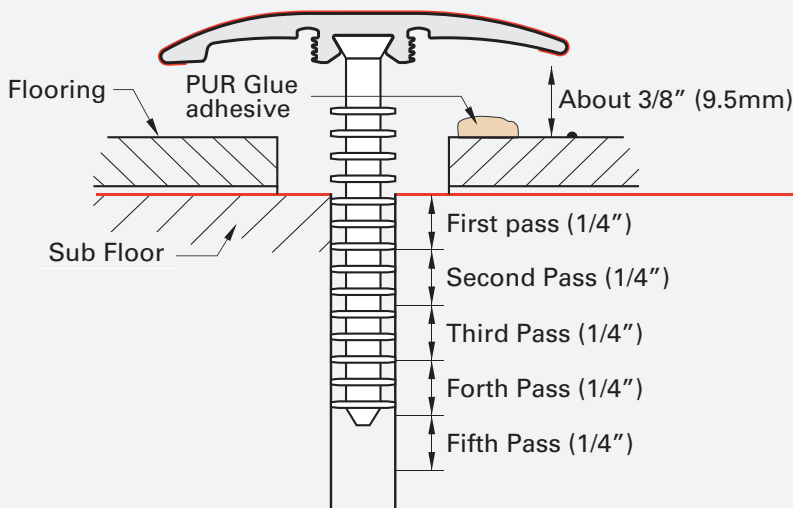
Side View of Hand Positions



NOTE: Do not try to push the entire molding in all at once by just pressing it in from top! This will bend the dowels.

Step 5

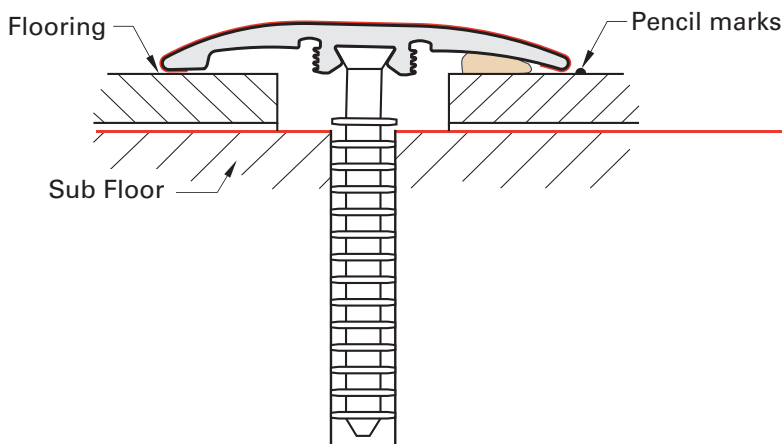
Using both hands, start at one end and gently push molding 1/4" down. Make sure dowel is straight and that you apply pressure directly over dowel. The best position is to hold dowel with pointer and middle fingers and push down with thumbs. Moving down the molding again, push the dowels in the floor 1/4" at a time. It should take several passes to push the molding all the way down.



Step 6

Once molding is about a finger's width from the floor (about 3/8" or 9.5 mm), insert the tip of a glue gun under 1 edge of the molding. Apply Liquid Nails or any polyurethane constructive adhesive along 1 side of the flooring.

NOTE: Make sure you apply adhesive to ONLY 1 side of the molding and that all surfaces that the adhesive touches is dust and debris free.

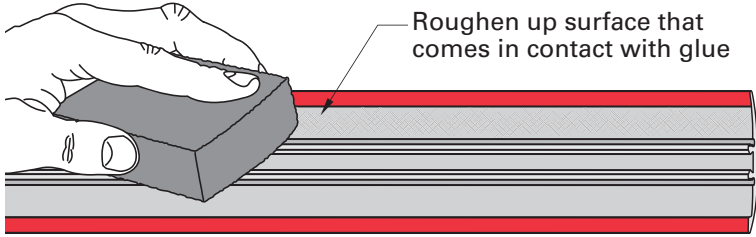


Step 7

When finished applying adhesive, start again at the beginning of the molding and push dowels all the way in until molding is secure. Once molding is in place, use a rubber mallet to tap on the top of each dowel. Use the pencil marks to reference where each dowel is located.

SlimTrim as a REDUCER - OPTIONAL DOWEL INSTALLATION

NOTE: SlimTrim Dowels are sold separately. Please contact your Sales Representative to order.



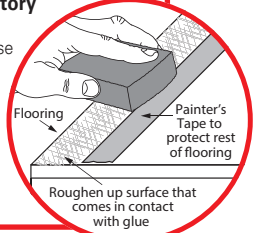
Step 1

Install your flooring planks (See Step 3). Clean flooring and molding as directed below:

CLEANING PREPARATION FOR BOTH SURFACES

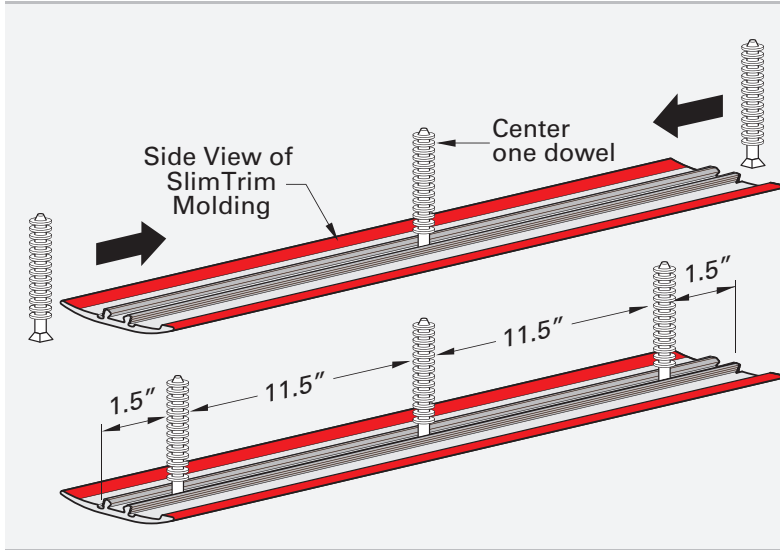
Preparing the floor & molding as outlined is mandatory to achieve the required bonding strength

1. Use a damp cloth (water only) to clean both surfaces of loose particles or surface films.
2. Roughen the surfaces with sandpaper (100-150 grit), sanding sponge or metal brush. For flooring, only roughen up area that will be covered (1.25" to 1.5").
3. Degrease both surfaces to remove all traces of oil, grease, dust, and fingerprints by using a solvent such as methyl ethyl ketone (MEK), acetone or isopropyl alcohol.
4. Let both surfaces dry thoroughly before applying adhesive.

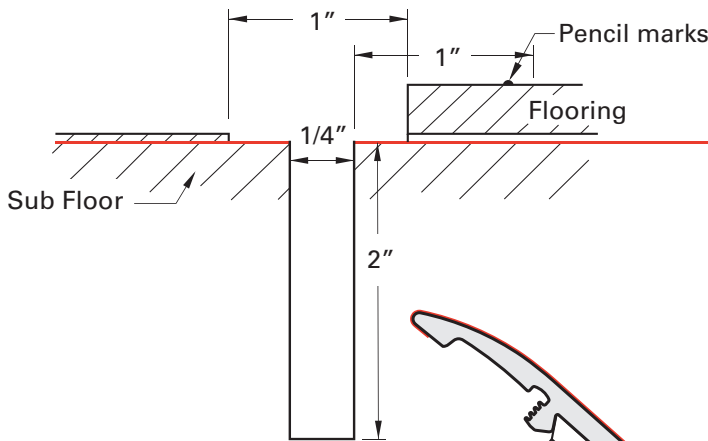
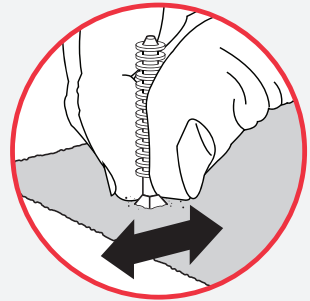


Step 2

Each dowel tree (sold separately), contains 8 dowels. Carefully cut or break dowels off of tree. Slide one dowel into molding groove and position in center of molding. Insert additional dowels from both ends. Space dowels 11.5" apart and 1.5" from ends.



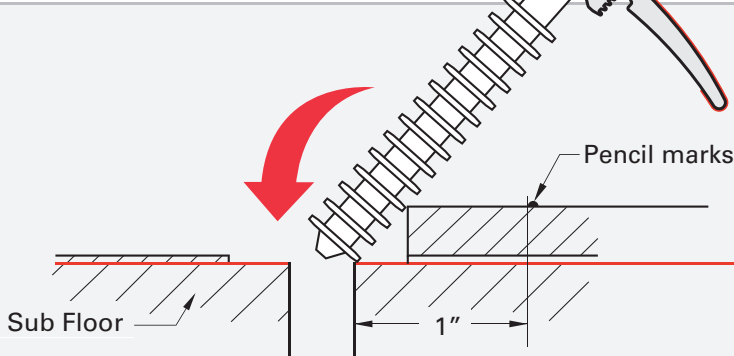
NOTE: Dowels have to fit tightly for the molding to function properly. If you find the dowel is too difficult to slide in, take 100/120 grit sandpaper, lay it flat on a surface and sand down the dowel head slightly with a couple of passes.



Step 3

Install the flooring planks*, by leaving a 1" inch (25mm) gap for the installation of the molding. Draw a line on the flooring for the placement of the molding. Using a 1/4" drill bit, pre-drill holes into the flooring 2" deep. Be sure to use the same measurements as the dowels, keeping the holes 11.5" apart. With a pencil, mark on the floor where each dowel is located (You will need these for Step 7). Pencil marks should be about 1" from the pre-drilled holes.

NOTE: Be sure to vacuum pre-drilled holes.



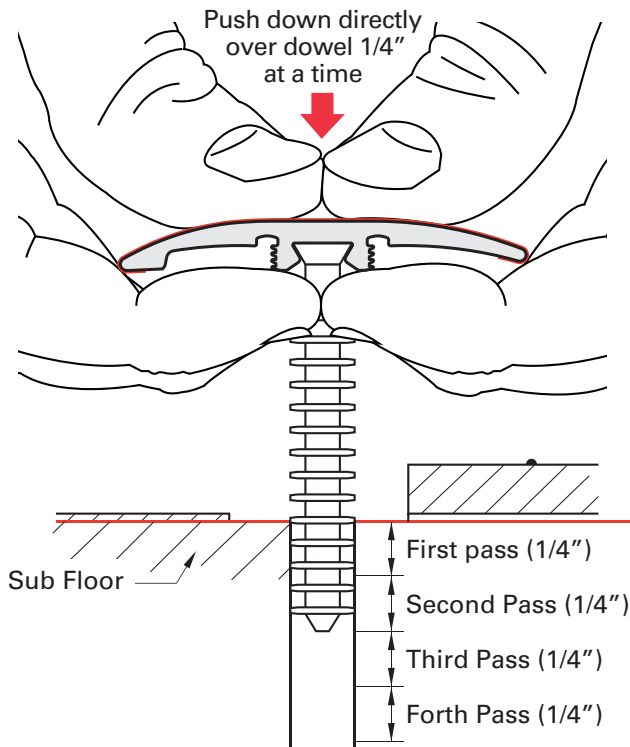
Step 4

Carefully line up dowels with pre-drilled holes. Make adjustments to the dowel positions on the molding if needed.

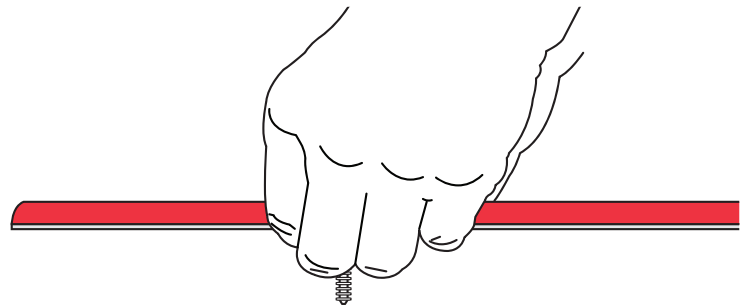


This end of the SlimTrim MUST be placed on the lower of the two surfaces.

SlimTrim as a REDUCER - OPTIONAL DOWEL INSTALLATION



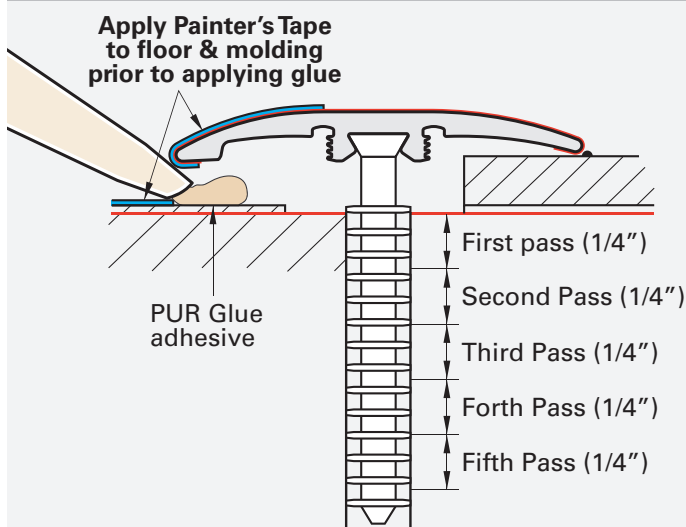
Side View of Hand Positions



NOTE: Do not try to push the entire molding in all at once by just pressing it in from top! This will bend the dowels.

Step 5

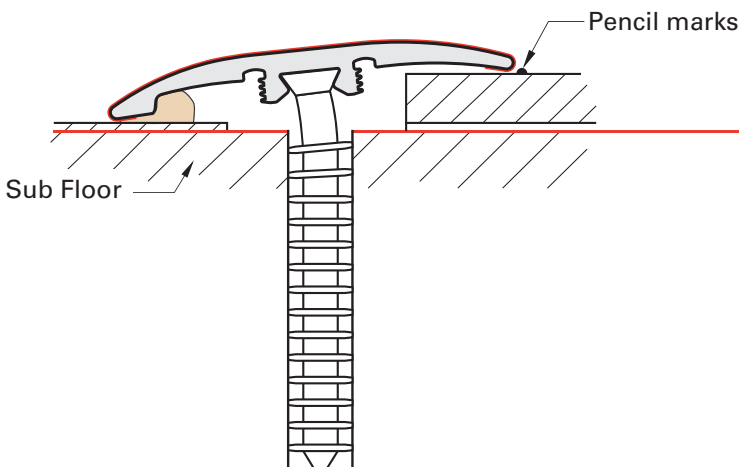
Using both hands, start at one end and gently push molding 1/4" down. Make sure dowel is straight and that you apply pressure directly over dowel. The best position is to hold dowel with pointer and middle fingers and push down with thumbs. Moving down the molding again, push the dowels in the floor 1/4" at a time. **Keep molding level as you tap it in.**



Step 6

Once the molding touches the highest of the 2 floors, insert the tip of a glue gun under 1 edge that will rest on the lower floor. Apply Liquid Nails or any polyurethane constructive adhesive under the molding. **Before applying glue, put painter's tape on the floor and the side of the molding receiving the glue.** Then push/tap molding down until it touches the floor. Carefully remove tape.

NOTE: Make sure you apply adhesive to ONLY 1 side of the molding and that all surfaces that the adhesive touches is dust and debris free.

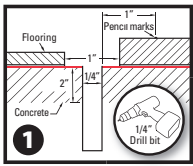


Step 7

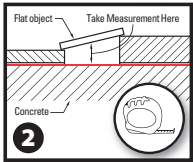
When finished applying adhesive, start again at the beginning of the molding and push dowels all the way in until molding is secure. Once molding is in place, use a rubber mallet to tap on the top of each dowel. Use the pencil marks to reference where each dowel is located.

SlimTrim - OPTIONAL DOWEL INSTALLATION: Installation for use on CONCRETE

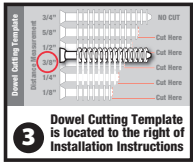
SlimTrim Installation Instructions for Use on Concrete



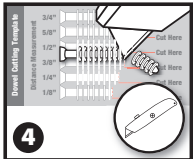
Install flooring planks, leaving 1 inch gap for molding installation. Draw line on flooring for hole placement. Using a 1/4" concrete drill bit pre-drill 2" deep holes using same measurements as dowels. With pencil, mark on floor the location of each dowel. **BE SURE TO VACUUM PRE-DRILLED HOLES.**



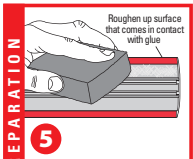
Lay a flat object over flooring and measure from the concrete at the center between the flooring up to the bottom of your object. This will give you the distance to use on the **Dowel Cutting Template** below.



Carefully cut or break dowels from Dowel Tree. Use the **Dowel Cutting Template** to the right to find your measurement on the template and lay your dowel over the number that matches your distance measurement.



With dowel on template, use a utility knife to cut dowel as indicated on **Dowel Cutting Template**. Repeat with all dowels that are to be used.

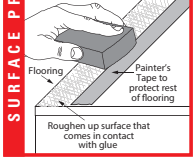


Clean floor and molding as directed below:

CLEANING PREPARATION FOR BOTH SURFACES

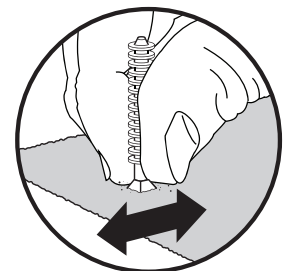
Preparing the floor & molding as outlined is mandatory to achieve the required bonding strength

1. Use a damp cloth (water only) to clean both surfaces of loose particles or surface films.
2. Roughen the surfaces with sandpaper (100-150 grit), sanding sponge or metal brush. For flooring, only roughen up area that will be covered (1.25" to 1.5").
3. Degrease both surfaces to remove all traces of oil, grease, dust, and fingerprints by using a solvent such as methyl ethyl ketone (MEK), acetone or isopropyl alcohol.
4. Let both surfaces dry thoroughly before applying adhesive.

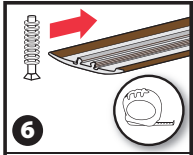


Slide dowels into groove on bottom of the SlimTrim molding and position them according to template. Line up dowels with pre-drilled holes. Adjust dowels as needed.

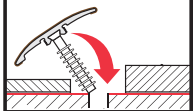
NOTE: Dowels have to fit tightly for the molding to function properly. If you find the dowel is too difficult to slide in, take 100/120 grit sandpaper, lay it flat on a surface and sand down the dowel head slightly with a couple of passes (See Detail A at the right).



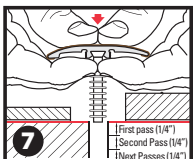
DETAIL A



Using both hands, start at one end and gently push molding 1/4" down at a time. It should take several passes to push molding all the way down. Best hand position is holding dowel between pointer fingers and pushing down with thumbs **directly over** dowel. **DO NOT TRY TO PUSH ENTIRE MOLDING IN ALL AT ONCE.**



When molding is a finger's width from the floor, insert tip of glue gun under one edge of molding and apply a polyurethane construction adhesive along one side of the flooring. **MAKE SURE YOU APPLY ADHESIVE TO ONLY ONE SIDE OF THE MOLDING AND THAT ALL SURFACES THAT THE ADHESIVE TOUCHES IS DUST AND DEBRIS FREE.**



When finished applying adhesive, start again at beginning of molding and push dowels all the way down until molding is secure. Use a rubber mallet to gently tap on top of each dowel until molding sits flush. Use pencil marks as reference.

