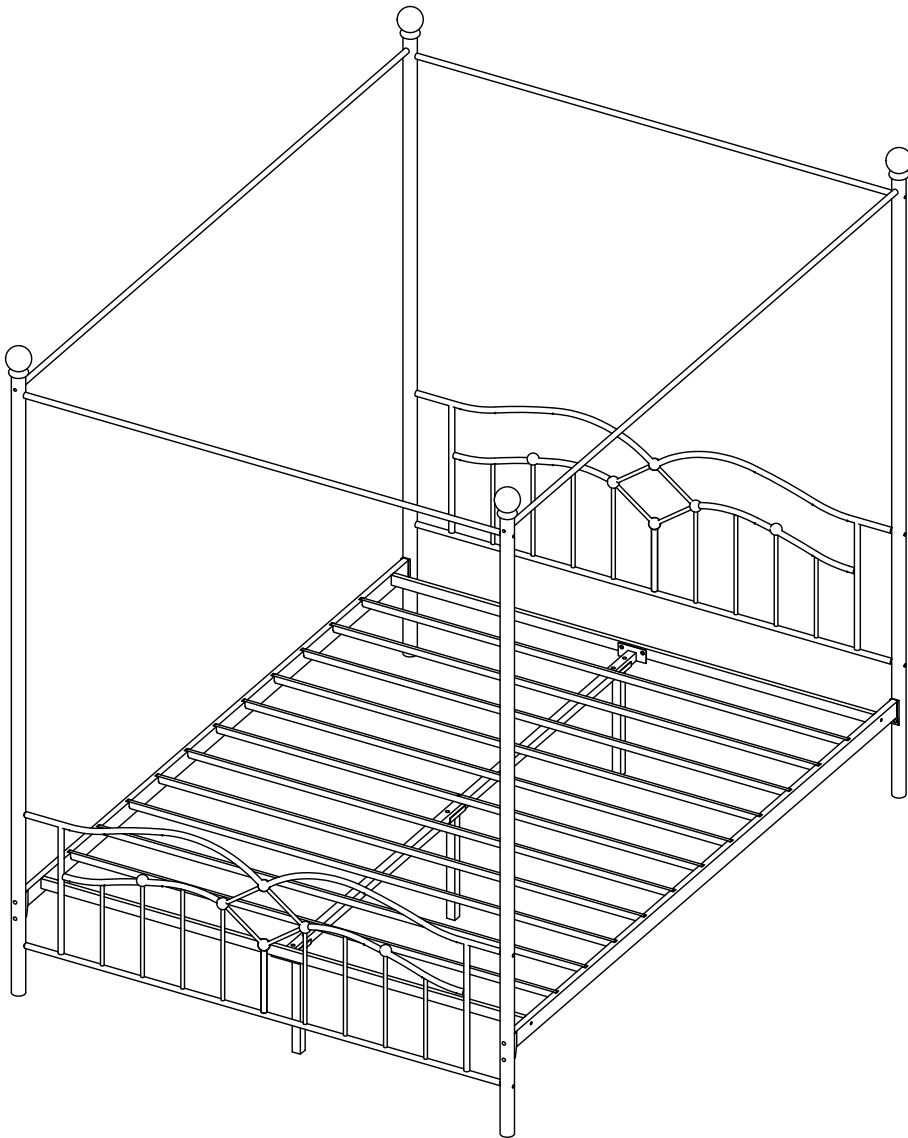


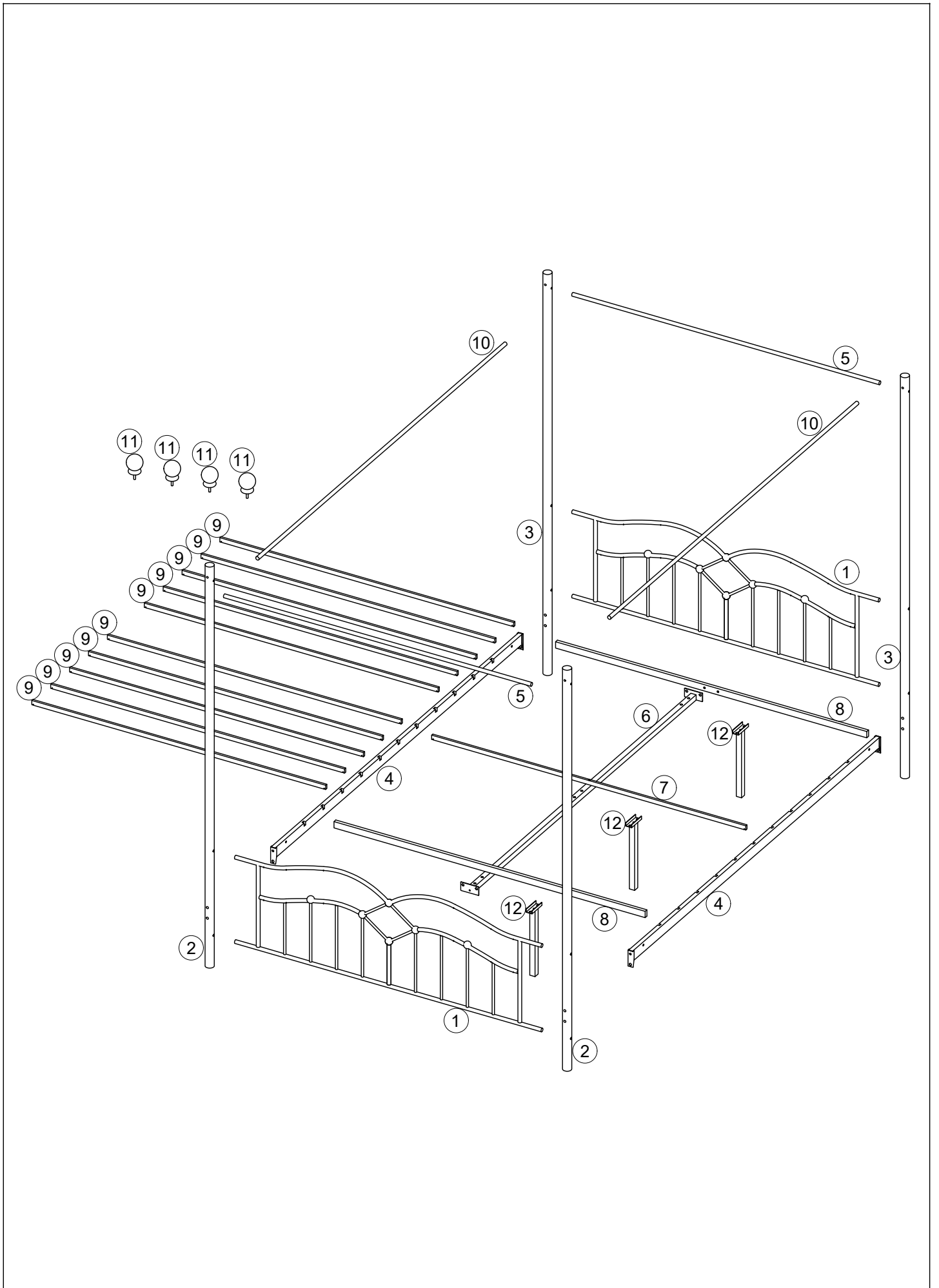
ASSEMBLY INSTRUCTION

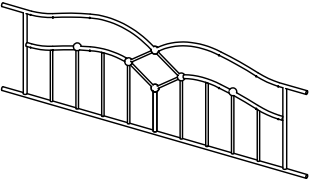
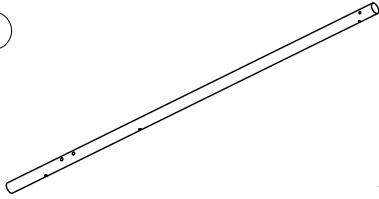
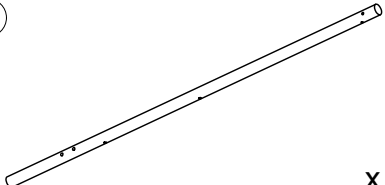
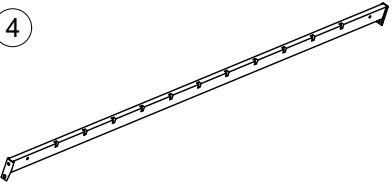
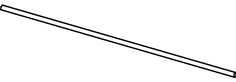
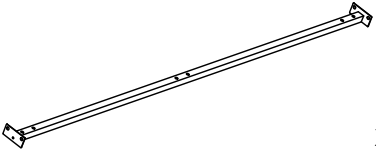

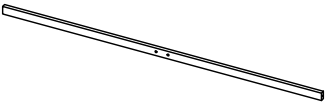
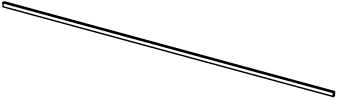
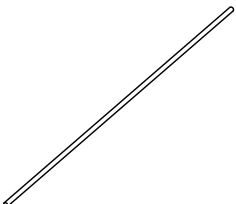


N761P334921







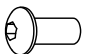
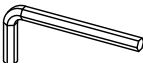
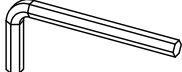



NOTE:

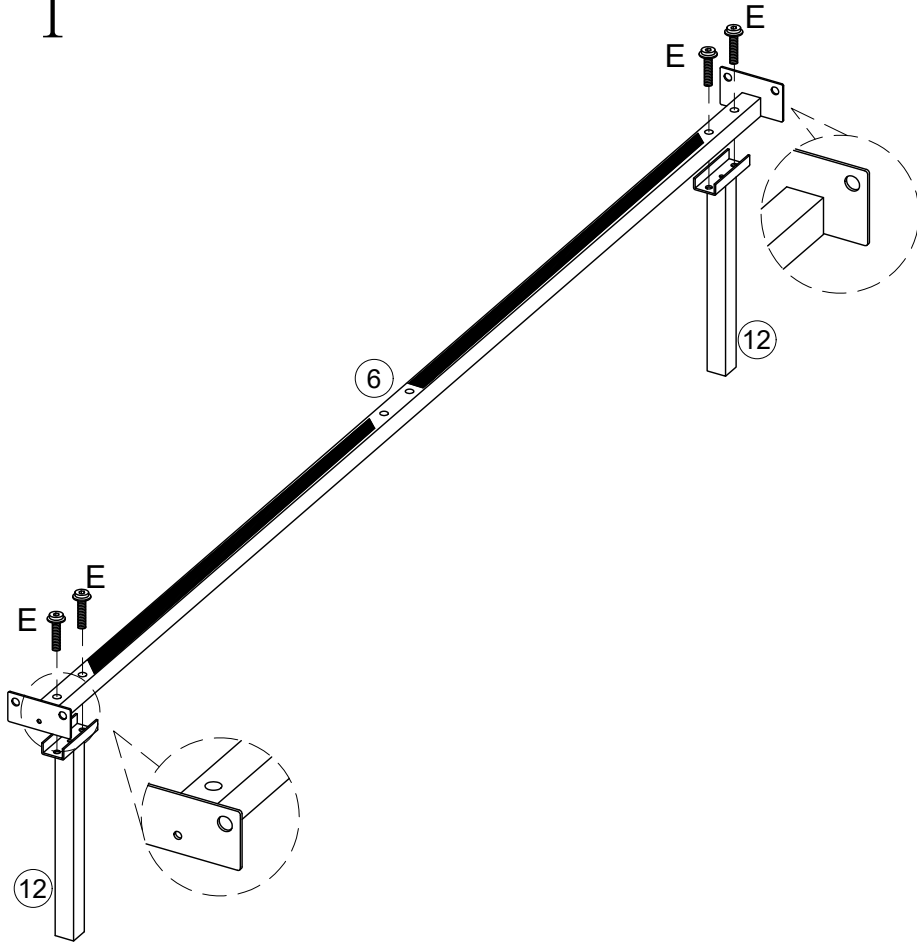
Please do not completely tighten all the hardware until the entire assembly is completed!




①  x2	②  x2	③  x2
④  x2	⑤  x2	⑥  x1
⑦  x1	⑧  x2	⑨  x10
⑩  x2	⑪  x4	⑫  x3

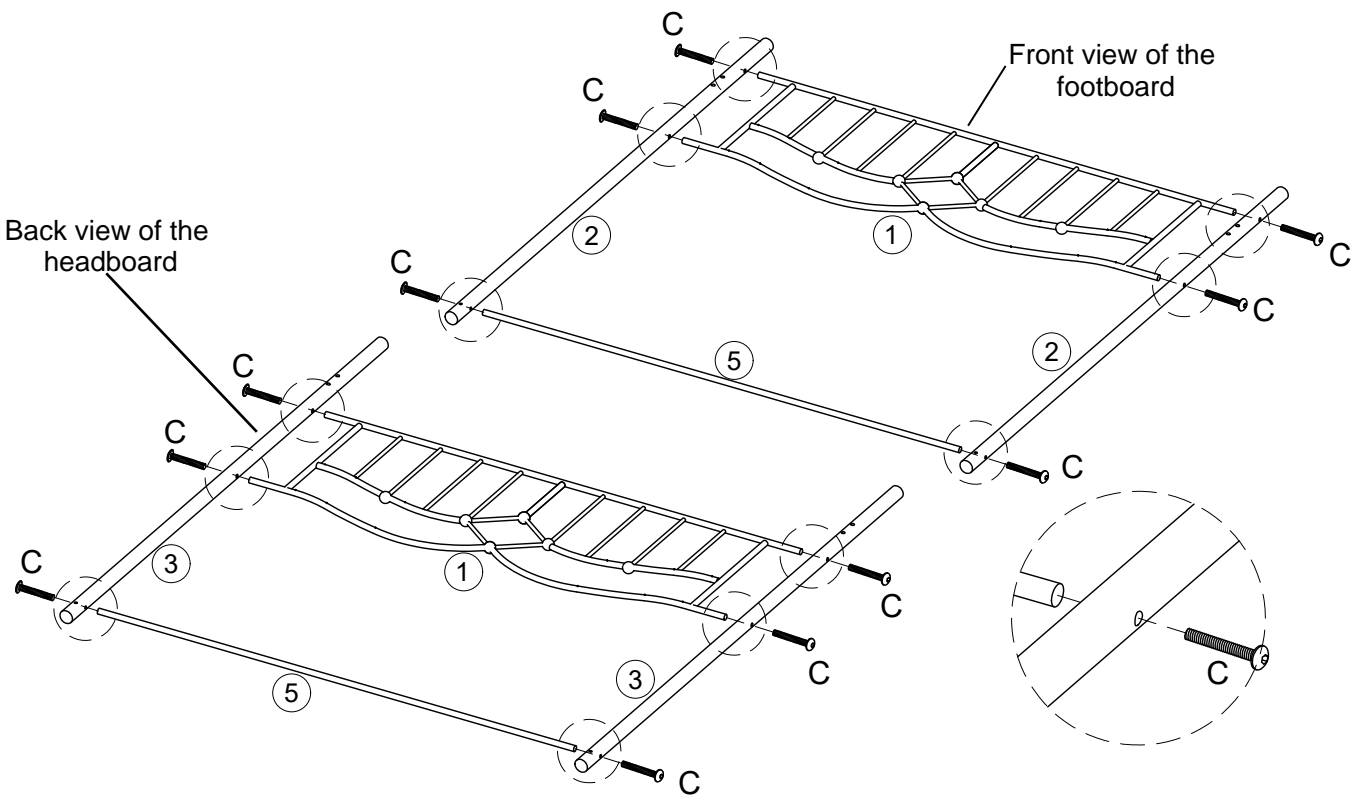
A	x 4	B	x 4	C	x 16	D	x 4	E	x 5
									
M6×35 mm		M6×40 mm		M6×50 mm		M8×15 mm		M8×35 mm	
G	x 5	H	x 4	I	x 2	J	x 1	L	x 8
									
M8×55 mm		M6×17 mm		4 mm		5 mm			


Step 1



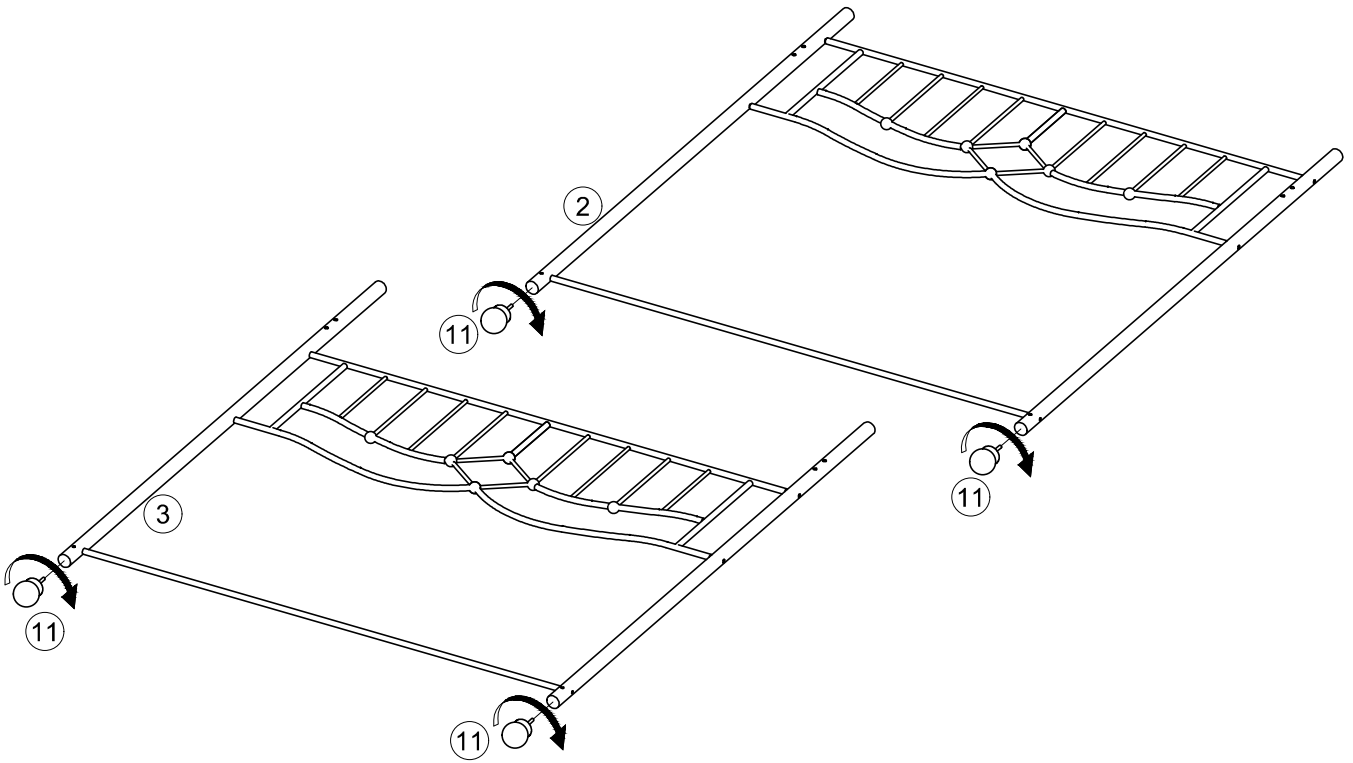
E	x 4
	
M8x35 mm	

Step 2

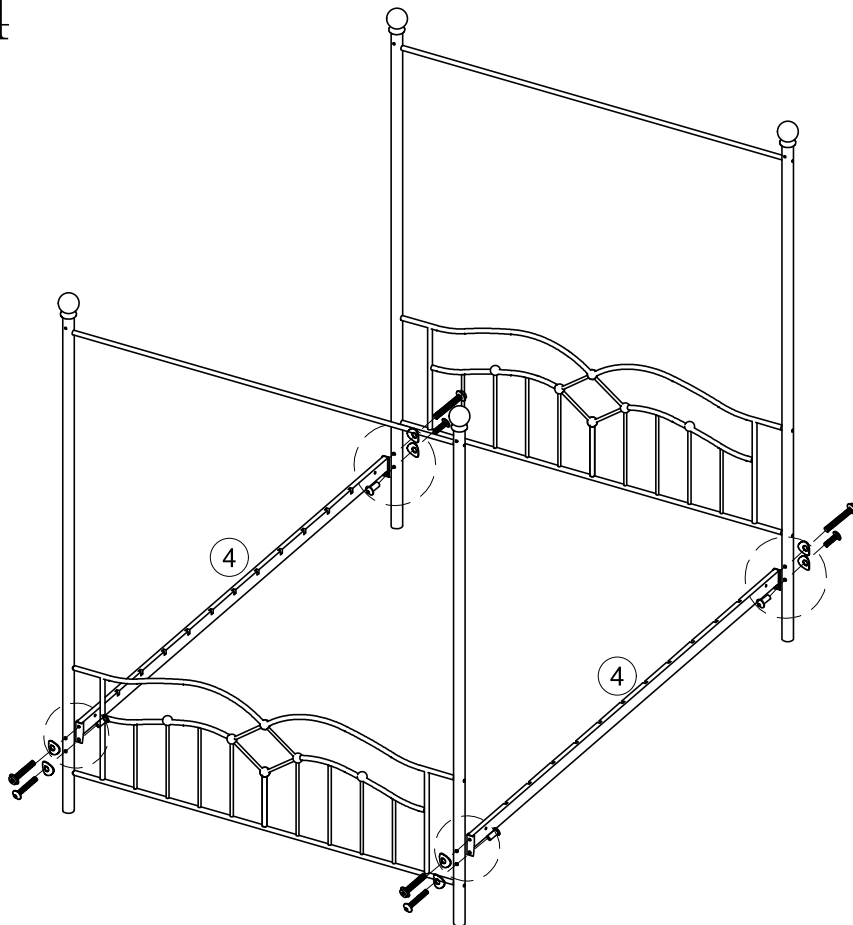






C	x 12
	
M6x50 mm	

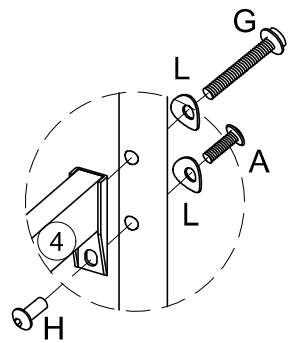
Step 3



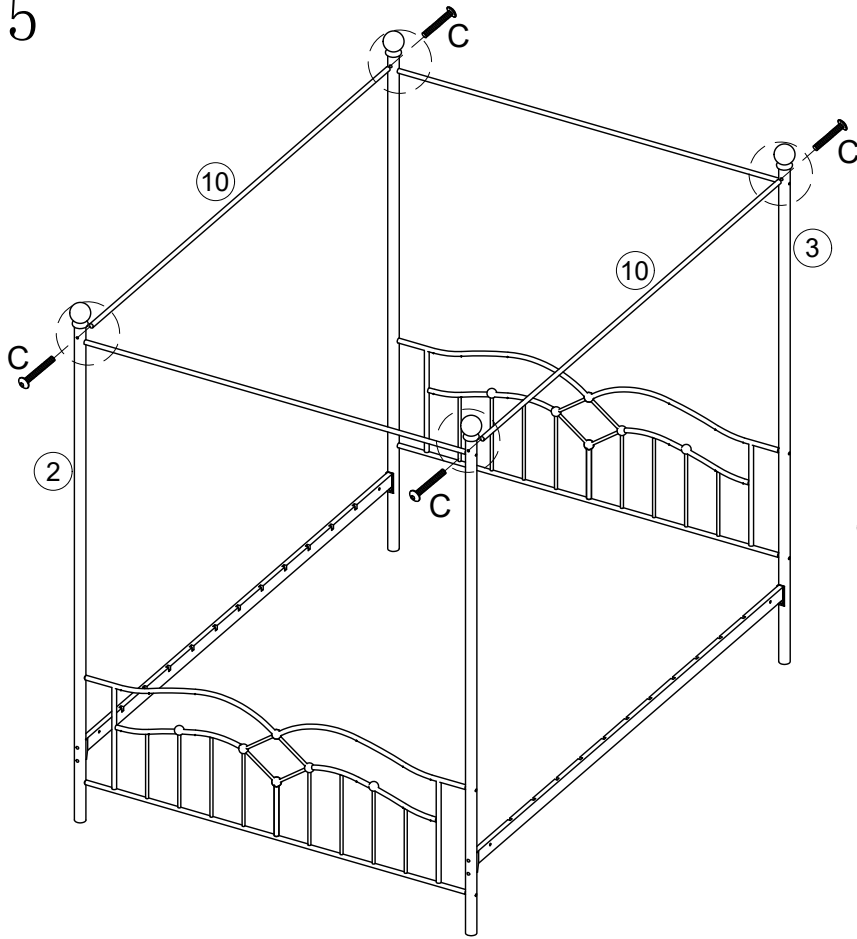
Step 4




L	x 8	G	x 4
			M8x55 mm
H	x 4	A	x 4
			M6x35 mm

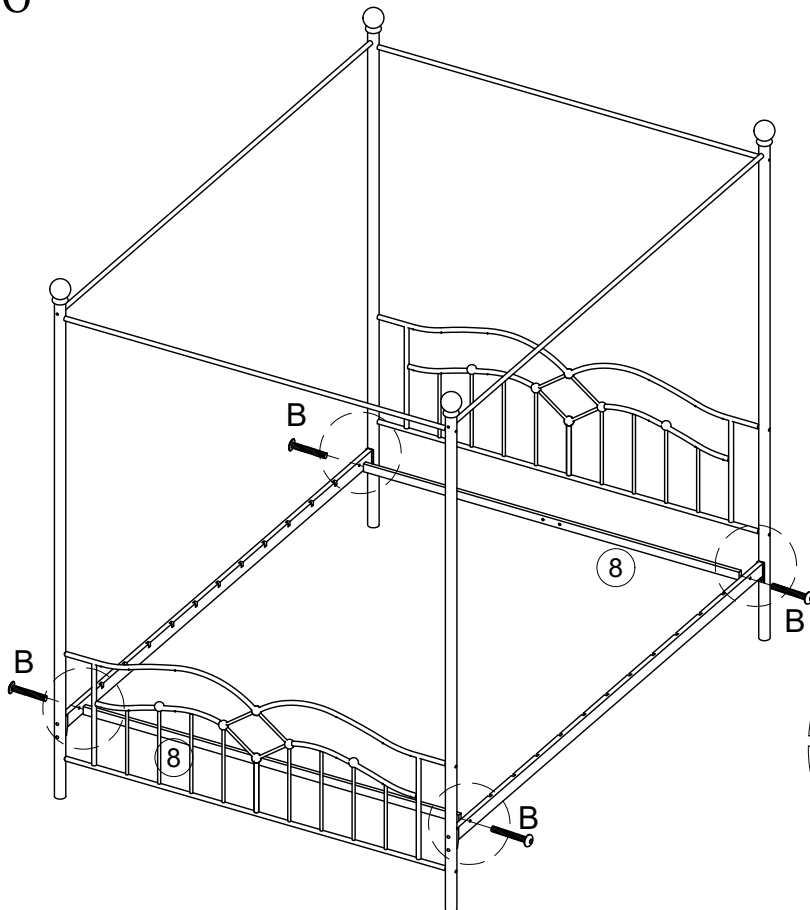



Step 5



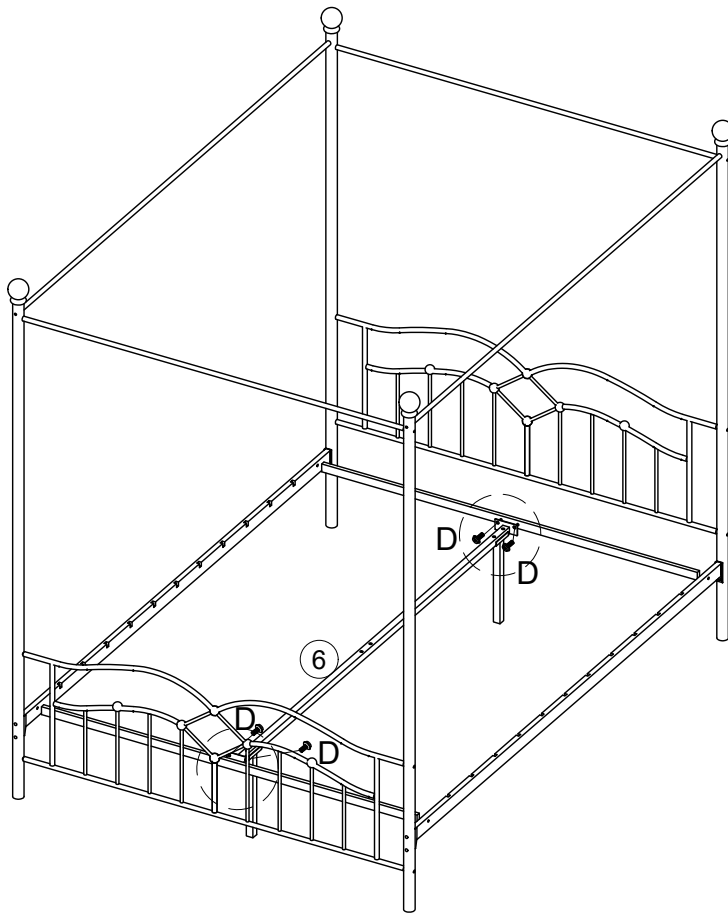
C	x 4
	
M6x50 mm	


Step 6

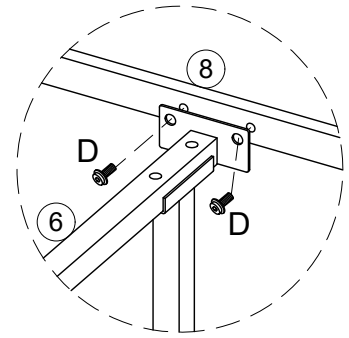


B	x 4
	
M6x40 mm	

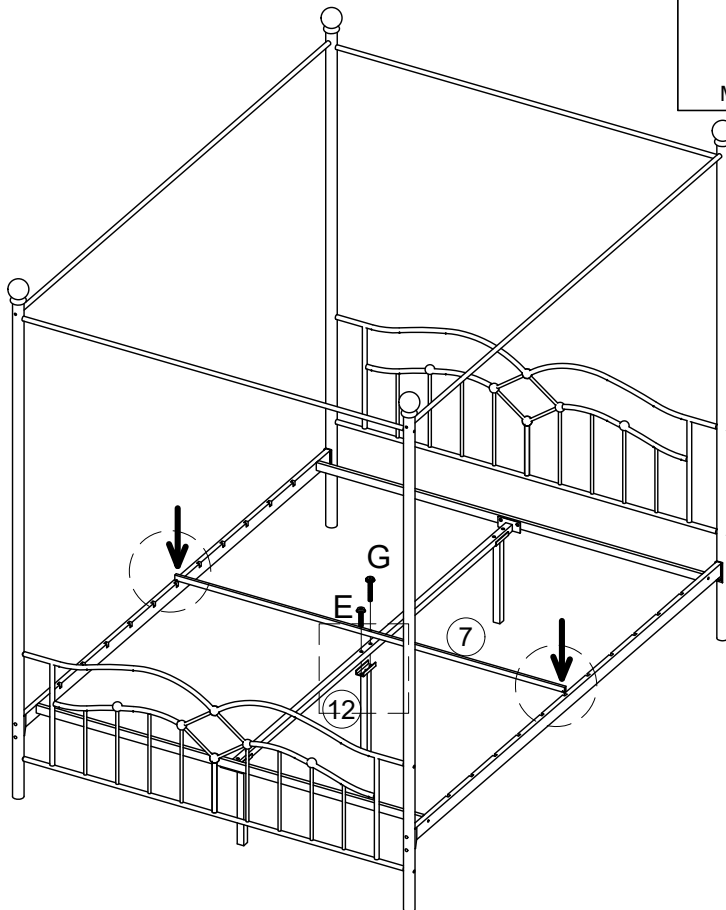
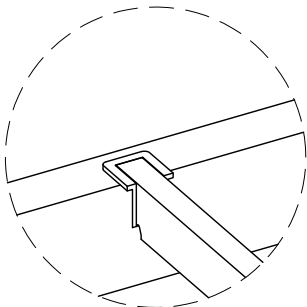
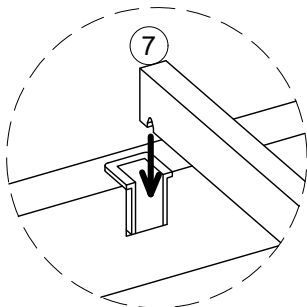
Step 7





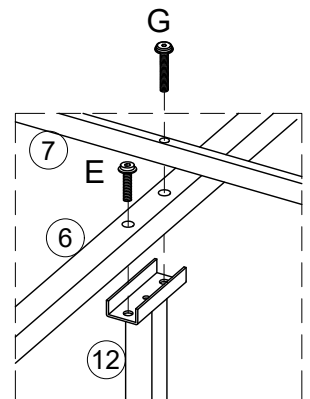
D	x 4
	
M8×15 mm	



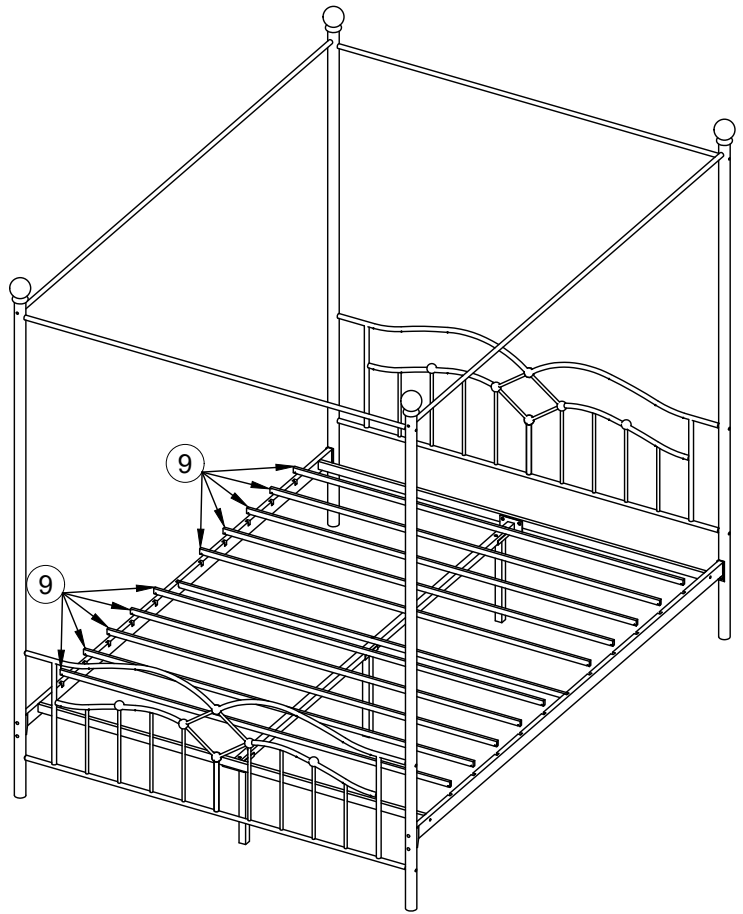
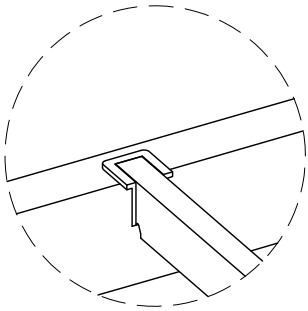
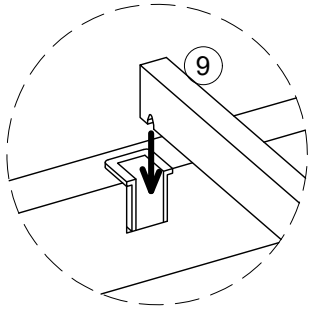
Step 8



E	x 1	G	x 1
			
M8×35 mm		M8×55 mm	



Step 9



Step 10

